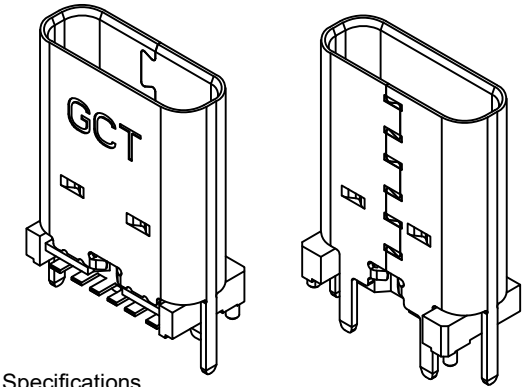
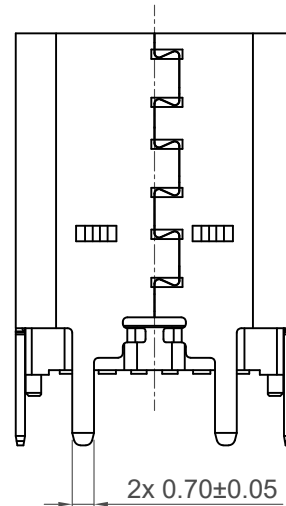


Section:A-A



Specifications

Material

Insulator: PA9T, UL 94V-0, Black  
 Contact: Copper Alloy  
 Shell: Stainless Steel  
 Middle Plate: Stainless Steel

Plating

Contact  
 Contact Area: Gold Flash Over 50µ" min. Nickel  
 Solder Tails: Gold Flash Over 50µ" min. Nickel  
 Shell: 30µ" min. Nickel  
 Middle Plate: Clear

Electrical

Current Rating: 3.00A collectively for VBUS pins  
 4.25A collectively for GND pins  
 1.25A for A5/B5 pin

Voltage Rating: 20V DC

Contact Resistance: 40mΩ max initial.

50mΩ max after test

Dielectric Withstanding Voltage: 100V AC

Insulation Resistance 100MΩ min

Mechanical & Environmental

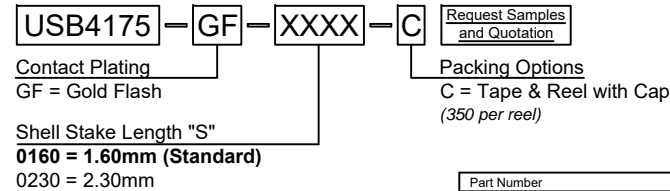
Operating Temperature: -25°C to +85°C



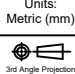
Mating Force: 5 to 20 N.

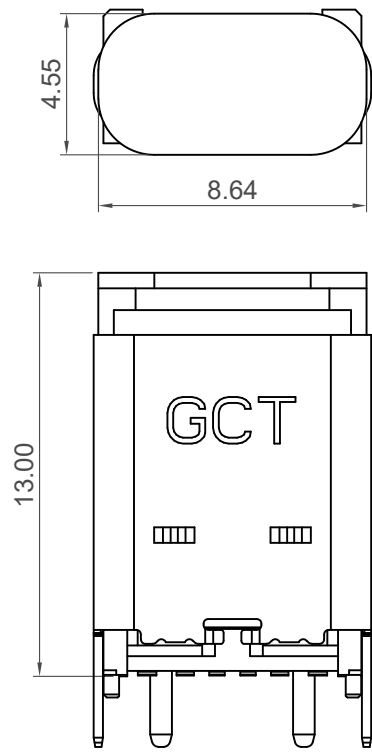
Unmated Force: 6 to 20 N after test

Durability: 20,000 cycles

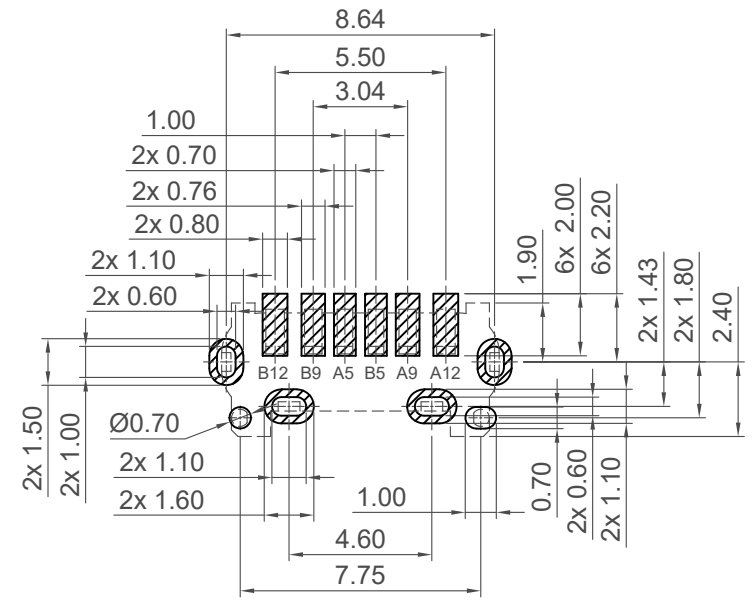
Ordering Grid



Part Number		Product Description		 <a href="http://www.gct.co">www.gct.co</a>			
USB4175		USB Type C Receptacle, Vertical, SMT, H11.0mm					
Drawing Date		For Power charging only, 6 Pin					
2nd March 2023							
By	CC	Tolerances (Except as Noted)	Units:	  <small>This drawing is confidential and copyright of Global Connector Technology, Ltd (GCT). This drawing must not be copied or disclosed without written consent. E &amp; OE</small>			
Detail	Drawing Release	Length	Metric (mm)				
Revision	A1	X.X ± 0.30					
Date	18/05/23	X.XX ± 0.20					
		X.XXX ± 0.10		<table border="1"> <tr> <td>Not to Scale</td> <td>Drawn By CC</td> <td>Sheet No. 1/4</td> </tr> </table>	Not to Scale	Drawn By CC	Sheet No. 1/4
Not to Scale	Drawn By CC	Sheet No. 1/4					



Cap Information



Recommended PCB Layout

Tolerance:  $\pm 0.05\text{mm}$

▨ Solder Area    □ Component Outline

Pin	Signal	Mating Sequence
A5	CC1	Second
A9	VBUS	First
A12	GND	First
B5	CC2	Second
B9	VBUS	First
B12	GND	First
SHELL		GND

Part Number		Product Description	
USB4175		USB Type C Receptacle, Vertical, SMT, H11.0mm	
Drawing Date		For Power charging only, 6 Pin	
2nd March 2023			
By	CC	Tolerances (Except as Noted)	Units:
Detail	Drawing Release	Length	Metric (mm)
Revision	A1	X.X $\pm 0.30$	
Date	18/05/23	X.XX $\pm 0.20$	
		X.XXX $\pm 0.10$	

**RoHS COMPLIANT**  
2011/65/EU  
Deca-SIDE

This drawing is confidential and copyright of Global Connector Technology, Ltd (GCT). This drawing must not be copied or disclosed without written consent. E & OE

Not to Scale

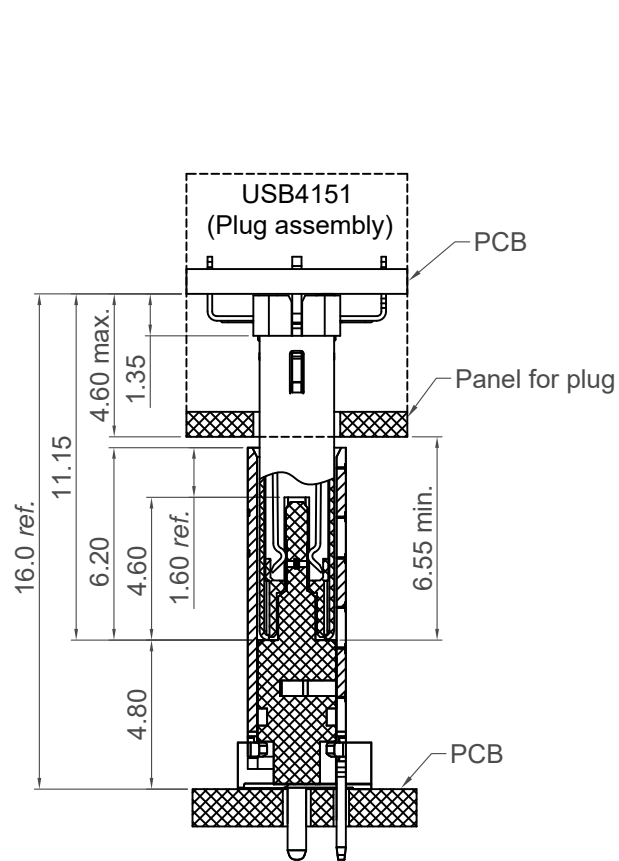
Drawn By  
CC

Sheet No.  
2/4

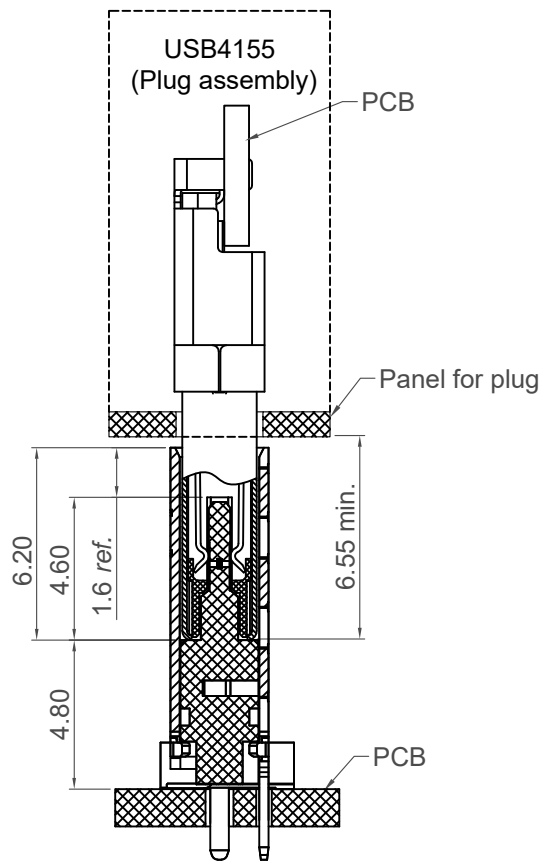


A B C D E F G H

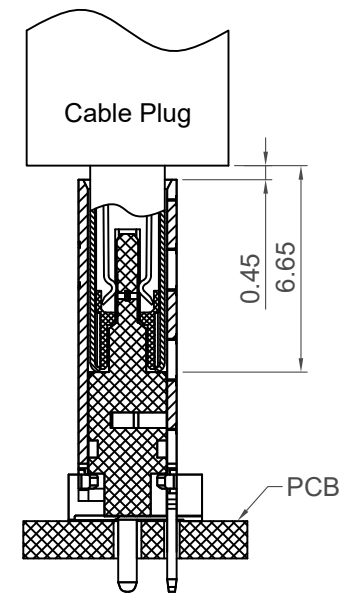
1 2 3 4 5 6 7 8



USB4175  
(Receptacle assembly)



USB4175  
(Receptacle assembly)

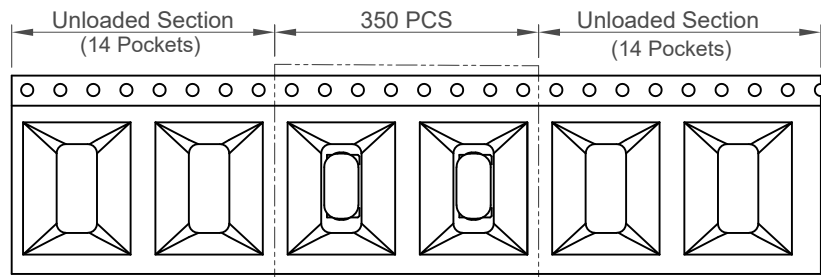


USB4175  
(Receptacle assembly)

Plug and Receptacle Mating View

Part Number		Product Description	
USB4175		USB Type C Receptacle, Vertical, SMT, H11.0mm	
Drawing Date		For Power charging only, 6 Pin	
2nd March 2023			
By	CC	Tolerances (Except as Noted)	Units:
Detail	Drawing Release	Length	Metric (mm)
Revision	A1	X.X ± 0.30	
Date	18/05/23	X.XX ± 0.20	
		X.XXX ± 0.10	
		This drawing is confidential and copyright of Global Connector Technology, Ltd (GCT). This drawing must not be copied or disclosed without written consent. E & OE	
Not to Scale	Drawn By	Sheet No.	
	CC	3/4	

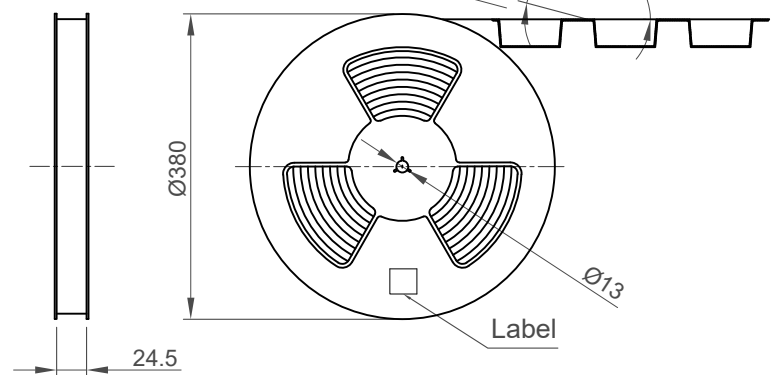




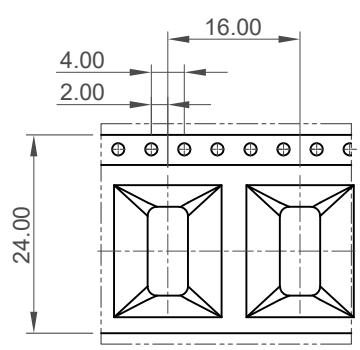
Detail E

Direction of Unreeling

Peeling Angle 165°~180°

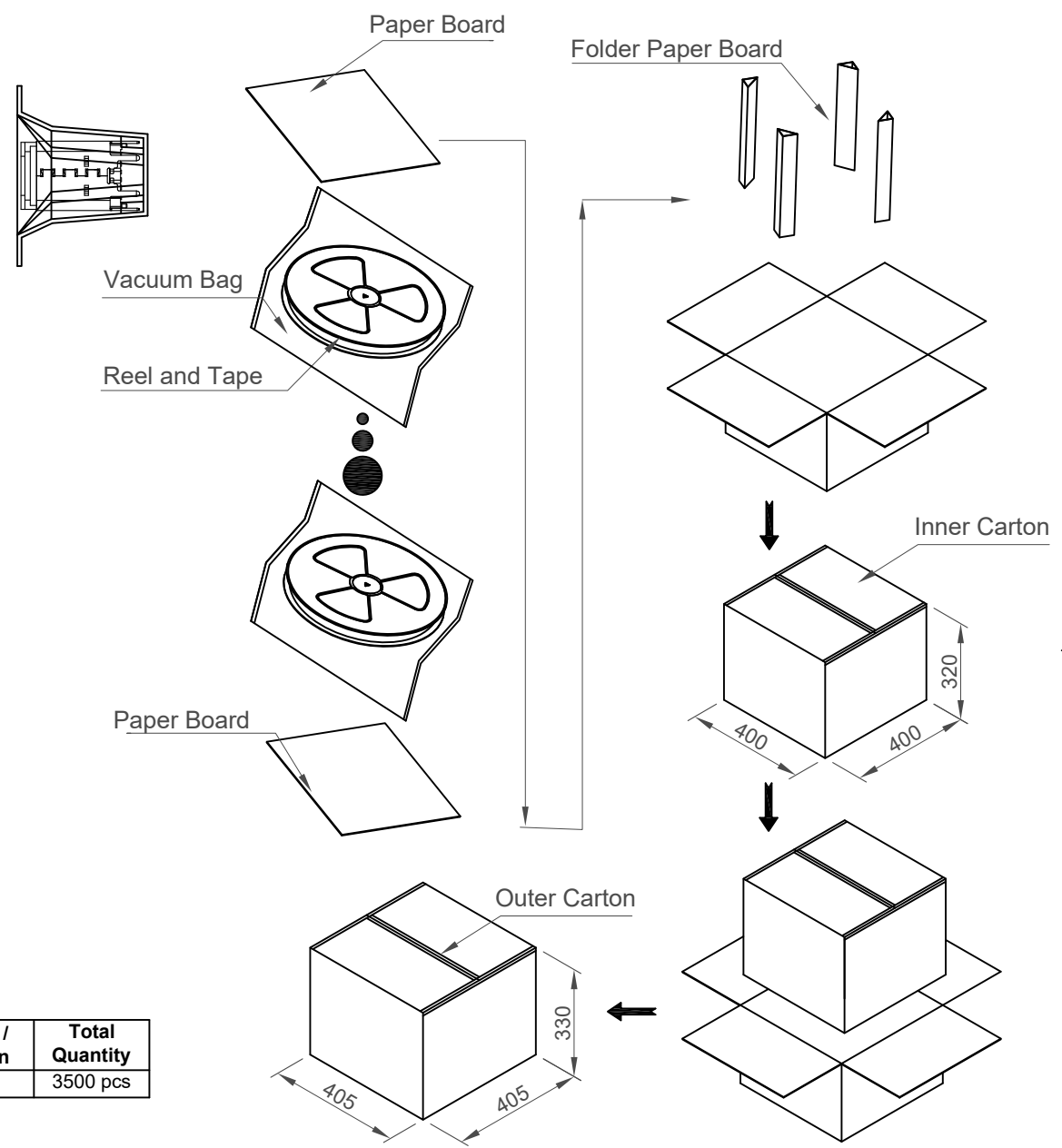


Direction of Unreeling



Detail: E

Pcs / Reel	Reels / Carton	Total Quantity
350	10	3500 pcs



Part Number		Product Description	
USB4175		USB Type C Receptacle, Vertical, SMT, H11.0mm	
Drawing Date		For Power charging only, 6 Pin	
2nd March 2023			
By	CC	Tolerances (Except as Noted)	Units:
Detail	Drawing Release	Length	Metric (mm)
Revision	A1	X.X ± 0.30	
Date	18/05/23	X.XX ± 0.20	
		X.XXX ± 0.10	



This drawing is confidential and copyright of Global Connector Technology, Ltd (GCT). This drawing must not be copied or disclosed without written consent. E & OE



Not to Scale	Drawn By CC	Sheet No. 4/4
--------------	-------------	---------------

## X-ON Electronics

Largest Supplier of Electrical and Electronic Components

*Click to view similar products for [USB Connectors](#) category:*

*Click to view products by [GCT manufacturer](#):*

Other Similar products are found below :

[950](#) [A-USB A-LP-SMT-C](#) [A-USB B-TOP-C](#) [MUSBD11135](#) [17-200721](#) [217450-1](#) [KMBVX-TH-5S-B30](#) [KUSBX-AS2N-W](#) [KUSBX-SMT2AP1S-W30](#) [935](#) [957](#) [30-498-6](#) [SK-60A-2](#) [1734082-1](#) [30-470](#) [30-489](#) [30-541](#) [MAB 5 S](#) [A-USB A-2P-C](#) [MIKROE-1451](#)  
[USBFTVSCCG](#) [4689-1](#) [1-1734084-2](#) [NK-27-32SL](#) [NK-L8-22C-5/8](#) [10135326-001LF](#) [4198](#) [690-024-633-031](#) [17-200011](#) [UB-20AFMM-LL7A01](#) [CAP-WCCMLPB1](#) [CAP-WCCMLPC1](#) [2274475-3](#) [914-614A2025S10200](#) [USB3FTV7SAGF059](#) [USB3FTV2SAZNF459](#)  
[USB3FTV7SAZNF459](#) [HYCW153-USBD05-500B](#) [HYCW219-USBD05-075B](#) [HYCW148-USBD05-117B](#) [HYCW149-USBD05-740B](#)  
[HYCW204-USBD05-108B](#) [HYCW214-USBA04-113B](#) [HYCW213-USBA04-113B](#) [KMMX-BSMT35S-1-B30TR](#) [2345986-1](#) [10082141-N340LF](#) [10117836-011LF](#) [GSB3C3133DSYHR](#) [00201-UCAF002-X](#)