

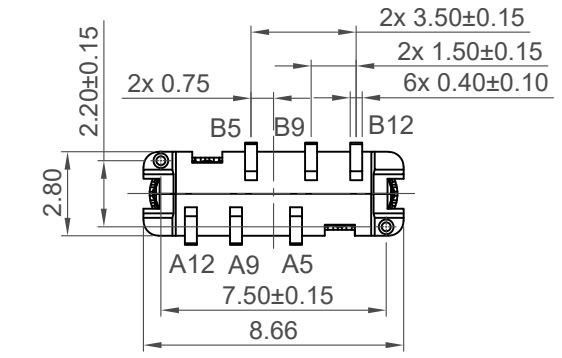
Specifications

Material
 Insulator: LCP, UL 94V-0, Black
 Contact: Copper Alloy
 Shell: Stainless Steel

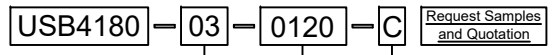
Plating
 Contact
 Contact Area: 3µ" Au over 50µ" min. Nickel
 Solder Tails: 80µ" min. Sn over 50µ" min. Nickel
 Shell: 30µ" min. Nickel

Electrical
 Current Rating: 3.00A collectively for Vbus pins
 4.25A collectively for GND pins
 1.25A for A5/B5 pin
 Voltage Rating: 20V DC
 Contact Resistance: 40mΩ max initial.
 50mΩ max after test
 Dielectric Withstanding Voltage: 100V AC
 Insulation Resistance 100MΩ min

Mechanical & Environmental
 Operating Temperature: -25°C to +85°C
 Mating Force: 5N max.
 Unmated Force: 3N max.
 Durability: 10,000 cycles



Ordering Grid



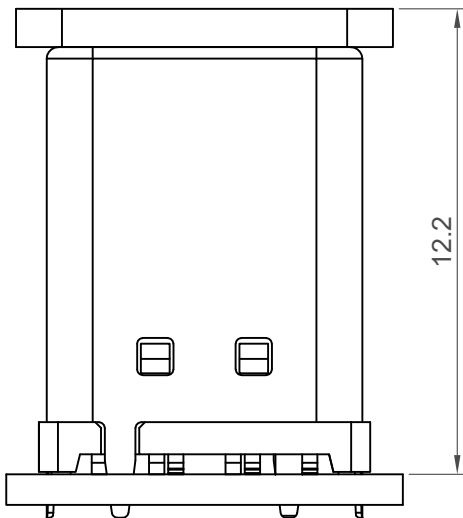
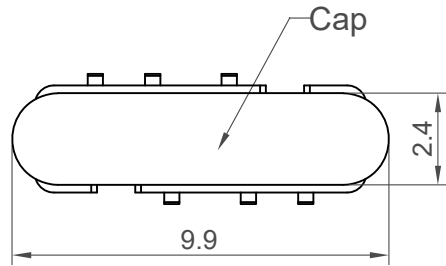
Contact Plating
 03 = 3µ" Gold

Packing Options
 C = Tape & Reel with Cap
 (400 per reel)

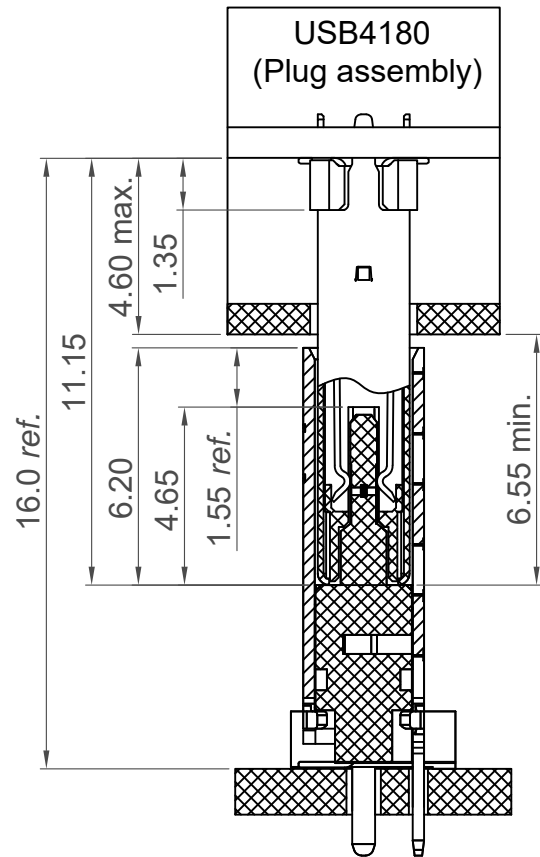
Shell Stake Length "S"
 0120 = 1.20mm

Part Number USB4180		Product Description Type C Plug, Vertical, SMT, For Power Charging Only 6 Pin, Without Latches			This drawing is confidential and copyright of Global Connector Technology, Ltd (GCT). This drawing must not be copied or disclosed without written consent. E & OE	 www.gct.co	
Drawing Date 24th March 2023							
By CC	Detail Drawing Release	Tolerances (Except as Noted) Length X.X ± 0.30 X.XX ± 0.25 X.XXX ± 0.10	Units: Metric (mm)		Not to Scale	Drawn By CC	Sheet No. 1/3
Revision A	Date 24/03/23						

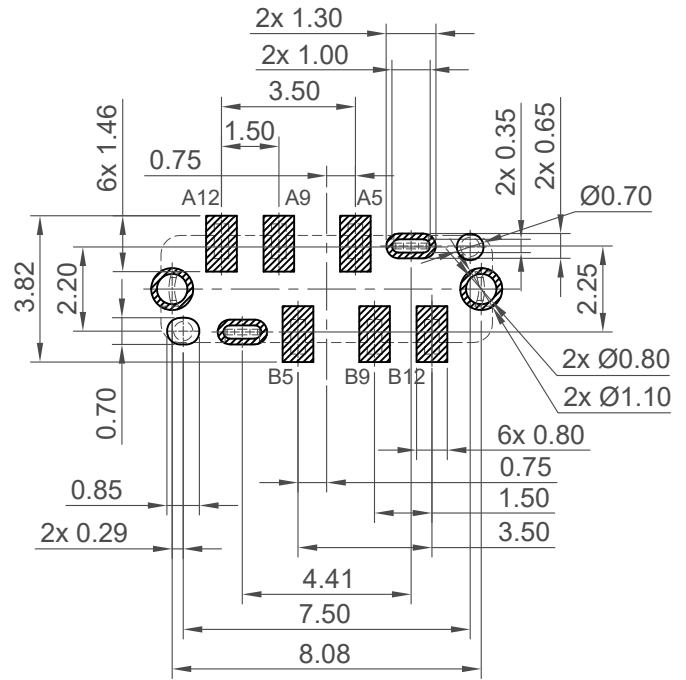
H
G
F
E
D
C
B
A



PCB Mount&Cap Information



USB4175
(Receptacle assembly)



Recommended PCB Layout
Thickness 0.8±0.10mm
Tolerance: ±0.05mm

Solder Area Component Outline

Pin	Signal	Mating Sequence
A5	CC1	Second
A9	V _{BUS}	First
A12	GND	First
B5	CC2	Second
B9	V _{BUS}	First
B12	GND	First
SHELL	GND	

Part Number		Product Description	
USB4180		Type C Plug, Vertical, SMT, For Power Charging Only	
Drawing Date		6 Pin, Without Latches	
24th March 2023			
By	CC	Tolerances (Except as Noted)	Units:
Detail	Drawing Release	Length	Metric (mm)
Revision	A	X.X ± 0.30	
Date	24/03/23	X.XX ± 0.25	
		X.XXX ± 0.10	

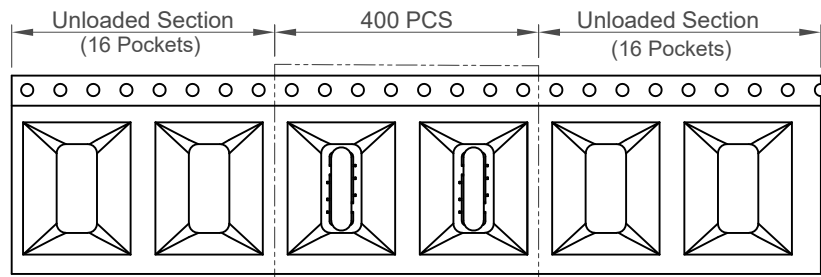


This drawing is confidential and copyright of Global Connector Technology, Ltd (GCT). This drawing must not be copied or disclosed without written consent. E & OE

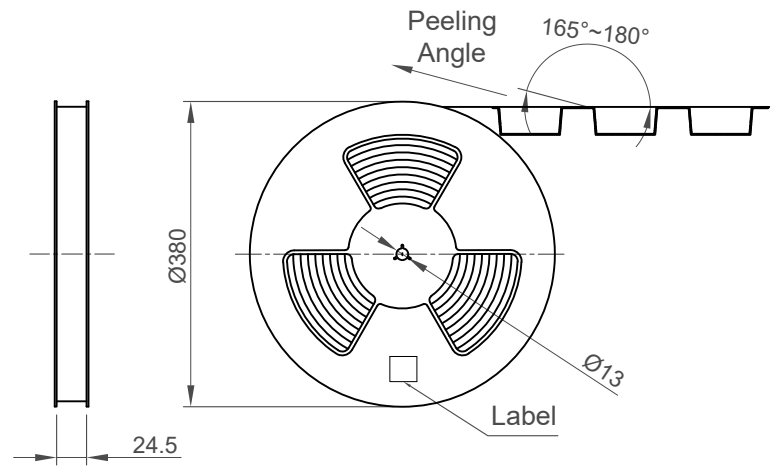


Not to Scale	Drawn By CC	Sheet No. 2/3
--------------	-------------	---------------

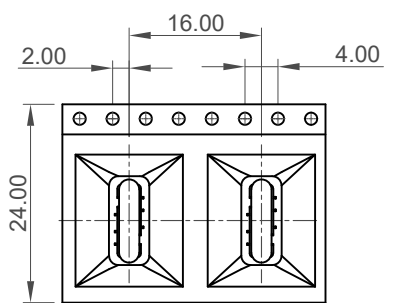
1 2 3 4 5 6 7 8



Direction of Unreeling

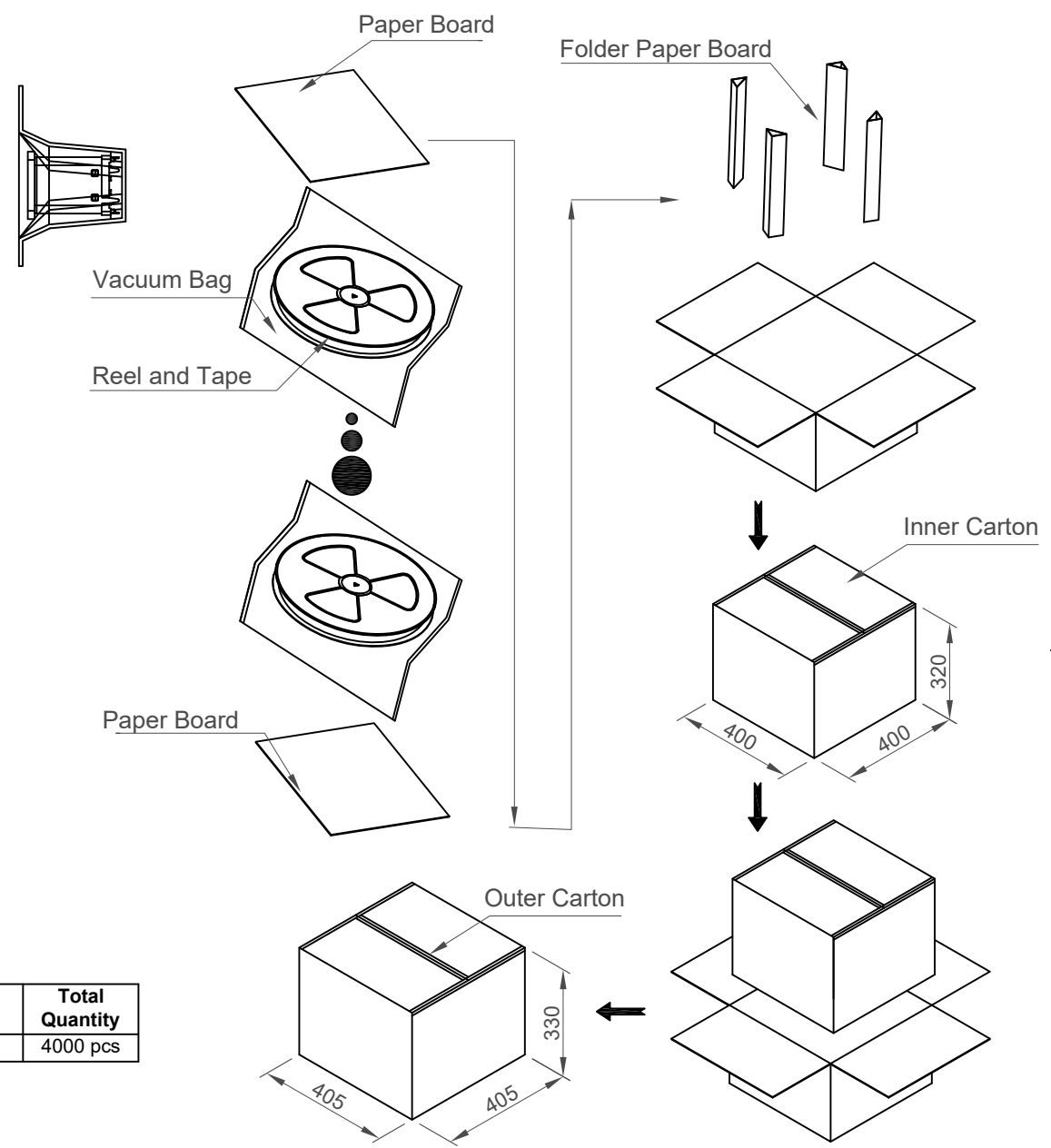


Direction of Unreeling



Detail: E

Pcs / Reel	Reels / Carton	Total Quantity
400	10	4000 pcs



Part Number		Product Description	
USB4180		Type C Plug, Vertical, SMT, For Power Charging Only	
Drawing Date		6 Pin, Without Latches	
24th March 2023			
By	CC	Tolerances (Except as Noted)	Units:
Detail	Drawing Release	Length	Metric (mm)
Revision	A	X.X ± 0.30	
Date	24/03/23	X.XX ± 0.25	
		X.XXX ± 0.10	

This drawing is confidential and copyright of Global Connector Technology, Ltd (GCT). This drawing must not be copied or disclosed without written consent. E & OE



Not to Scale	Drawn By CC	Sheet No. 3/3
--------------	-------------	---------------

X-ON Electronics

Largest Supplier of Electrical and Electronic Components

Click to view similar products for [USB Connectors](#) category:

Click to view products by [GCT manufacturer](#):

Other Similar products are found below :

[950](#) [A-USB A-LP-SMT-C](#) [A-USB B-TOP-C](#) [MUSBD11135](#) [17-200721](#) [217450-1](#) [KMBVX-TH-5S-B30](#) [KUSBX-AS2N-W](#) [KUSBX-SMT2AP1S-W30](#) [935](#) [957](#) [30-498-6](#) [SK-60A-2](#) [1734082-1](#) [30-470](#) [30-489](#) [30-541](#) [MAB 5 S](#) [A-USB A-2P-C](#) [MIKROE-1451](#)
[USBFTVSCCG](#) [4689-1](#) [1-1734084-2](#) [NK-27-32SL](#) [NK-L8-22C-5/8](#) [10135326-001LF](#) [4198](#) [690-024-633-031](#) [17-200011](#) [UB-20AFMM-LL7A01](#) [CAP-WCCMLPB1](#) [CAP-WCCMLPC1](#) [2274475-3](#) [914-614A2025S10200](#) [USB3FTV7SAGF059](#) [USB3FTV2SAZNF459](#)
[USB3FTV7SAZNF459](#) [HYCW153-USBD05-500B](#) [HYCW219-USBD05-075B](#) [HYCW148-USBD05-117B](#) [HYCW149-USBD05-740B](#)
[HYCW204-USBD05-108B](#) [HYCW214-USBA04-113B](#) [HYCW213-USBA04-113B](#) [KMMX-BSMT35S-1-B30TR](#) [2345986-1](#) [10082141-N340LF](#) [10117836-011LF](#) [GSB3C3133DSYHR](#) [00201-UCAF002-X](#)