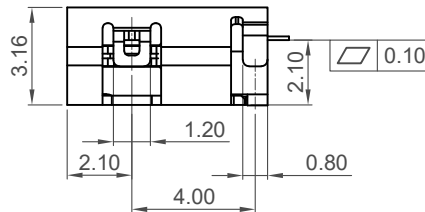
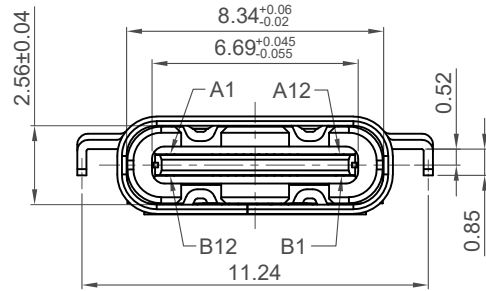


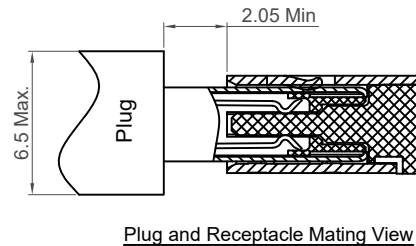
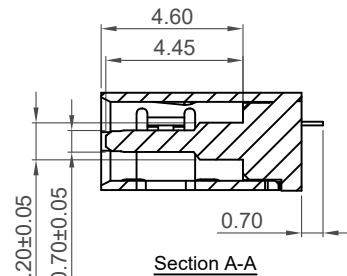
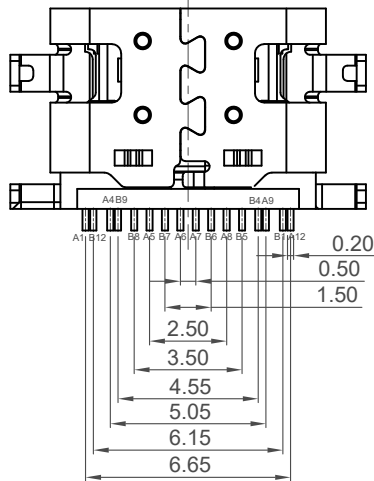
Recommended PCB Layout
Thickness=0.80mm

As viewed from component side Tolerance:±0.05mm

▨ Solder Area □ Component Outline



Pin	Signal	Mating Sequence	Pin	Signal	Mating Sequence
A1	GND	First	B12	GND	First
A4	Vbus	First	B9	Vbus	First
A5	CC1	Second	B8	SBU2	Second
A6	Dp1	Second	B7	Dn2	Second
A7	Dn1	Second	B6	Dp2	Second
A8	SBU1	Second	B5	CC2	Second
A9	Vbus	First	B4	Vbus	First
A12	GND	First	B1	GND	First
SHELL	GND		SHELL	GND	



Specifications

Material

Insulator: LCP, E130i, UL 94V-0, Black
Contact: Copper Alloy, C18400-H, T=0.12mm
Shell: Stainless steel, SUS304-1/2H, T=0.30mm
Mid Plate: Stainless Steel, SUS301-3/4H, T=0.15mm

Plating

Terminal:

Contact Area: See Ordering Grid
Solder Tails: Gold Flash
Underplating: 50µ" Min. Nickel All Over
Shell: 30µ" Min. Nickel

Electrical

Current Rating: 5.00A collectively for Vbus pins
6.25A collectively for GND pins
1.25A for B5 pin
0.25A per pin for all other pins

Voltage Rating: 20V DC

Contact Resistance: 40mΩ max initial.
50mΩ max after test

Dielectric Withstanding Voltage: 100V AC
Insulation Resistance 100MΩ min

Mechanical & Environmental

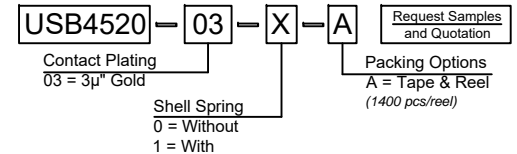
Operating Temperature: -25°C to +85°C

Mating Force: 5 to 20 N.

Unmated Force: 6 to 20 N after test

Durability: 10,000 cycles

Ordering Grid



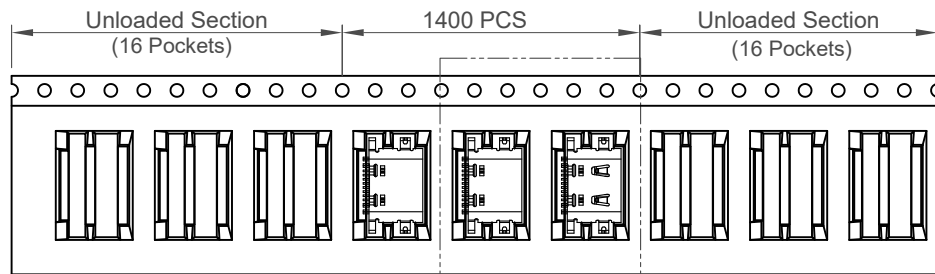
Part Number		Product Description	
USB4520		USB Type C Receptacle for USB 2.0, SMT Type, Mid Mount, 2.1mm Offset	
Drawing Date		1st July 2021	
By	CC	Tolerances (Except as Noted)	Units:
Detail	Drawing Release	Length	Metric (mm)
Revision	A	Angle	
Date	01/07/21	X.X ± 0.30	
		X.XX ± 0.20	
		X.XXX ± 0.10	



This drawing is confidential and copyright of Global Connector Technology, Ltd (GCT). This drawing must not be copied or disclosed without written consent. E & OE



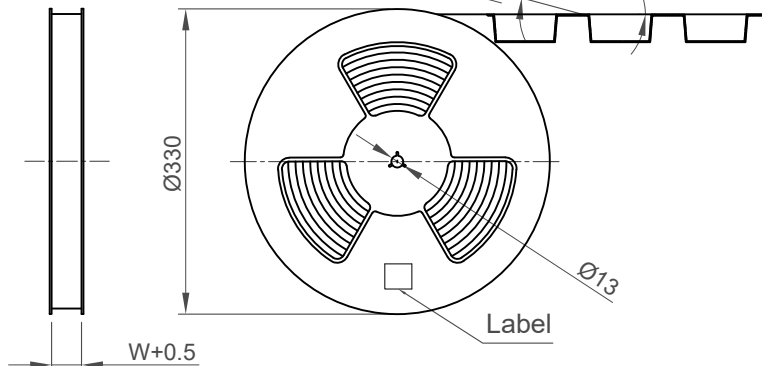
Not to Scale Drawn By CC Sheet No. 1/2



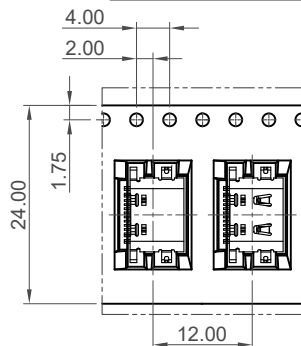
Direction of Unreeling

Detail E

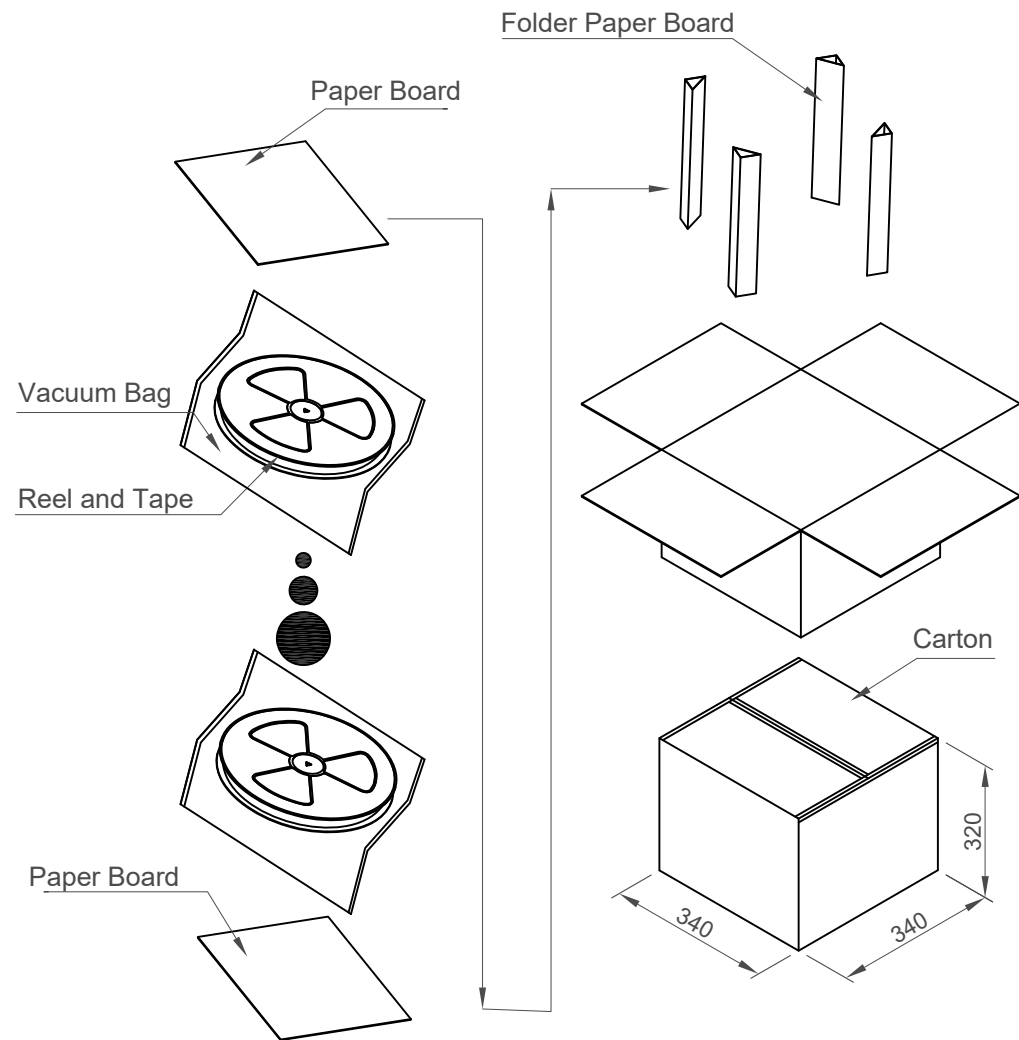
Peeling Angle 165°~180°



Direction of Unreeling



Detail: E



Pcs / Reel	Reels / Carton	Total Quantity
1400	10	14000 pcs

Part Number USB4520		Product Description USB Type C Receptacle for USB 2.0, SMT Type, Mid Mount, 2.1mm Offset	
Drawing Date 1st July 2021			
By CC	Drawing Release	Tolerances (Except as Noted) Length Angle	Units: Metric (mm)
Detail			
Revision A			
Date 01/07/21			



This drawing is confidential and copyright of Global Connector Technology, Ltd (GCT). This drawing must not be copied or disclosed without written consent. E & OE



Not to Scale Drawn By CC Sheet No. 2/2

X-ON Electronics

Largest Supplier of Electrical and Electronic Components

Click to view similar products for [USB Connectors](#) category:

Click to view products by [GCT](#) manufacturer:

Other Similar products are found below :

[65-647-8-BK-BU](#) [950](#) [952](#) [E8144-B01021-L](#) [A-USB B-TOP-C](#) [MUSBA511N5](#) [MUSBD11135](#) [217450-1](#) [KMBVX-TH-5S-B30](#) [896-30-004-00-000000](#) [KUSBVX-BS1N-W30](#) [KUSBX-AP-KIT-SCBLK](#) [KUSBX-AS2N-W](#) [KUSBX-SMT2AP1S-W](#) [KUSBX-SMT2AP1S-W30](#) [935](#) [957](#) [30-498-6](#) [17-210051](#) [1734082-1](#) [30-1574](#) [30-470](#) [30-489](#) [30-541](#) [30-572-3](#) [A-USB A-2P-C](#) [MIKROE-1451](#) [USBFTV2PEM2G](#) [USBFTVC6ZN](#) [KUSBX-AS2N-W30](#) [KUSBX-SLAS1N-W](#) [KUSBX-SMT-AS1N-W30](#) [4689-1](#) [1-1734084-2](#) [E8110-001-01](#) [33UBARS1-04SW11](#) [33UBAR-04SW11](#) [USBF21ZNSCC](#) [USBBFTV6ZC](#) [10135326-001LF](#) [USB-A-S-F-B-VT](#) [925](#) [4198](#) [690-024-633-031](#) [KUSBEX-BSFS1N-W](#) [USBFTVC6MRG](#) [UA-20BMFA-SL8001](#) [17-250101](#) [USBFTVC7ZC](#) [USBFTV75NF459](#)