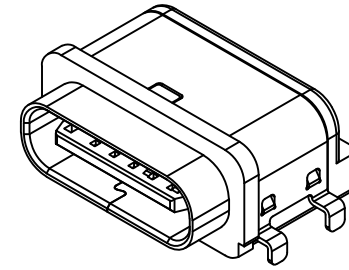


**Recommended PCB Layout**  
Thickness 0.80±0.10mm  
Tolerance: ±0.05mm

▨ Solder Area □ Component Outline

Pin	Signal	Mating Sequence
A5	CC1	Second
A9	Vbus	First
A12	GND	First
B5	CC2	Second
B9	Vbus	First
B12	GND	First
SHELL	GND	



**Specifications**

**Material**

Insulator: High Temp. Plastic, UL 94V-0, Black  
Contact: Copper Alloy  
Shell: Stainless Steel  
Shielding Plate: Stainless Steel  
Gasket: Silicon

**Plating**

Contact  
Contact Area: Gold Flash  
Solder Tails: Tin over Nickel  
Shell: Nickel  
Shielding Plate: Nickel

**Electrical**

Current Rating: 3.00A collectively for Vbus pins  
4.25A collectively for GND pins  
1.25A for A5/B5 pin

Voltage Rating: 20V DC

Contact Resistance: 40mΩ max initial.

50mΩ max after test

Dielectric Withstanding Voltage: 100V AC

Insulation Resistance 100MΩ min

**Mechanical & Environmental**

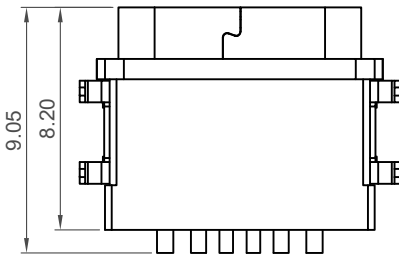
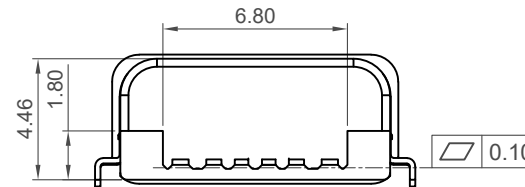
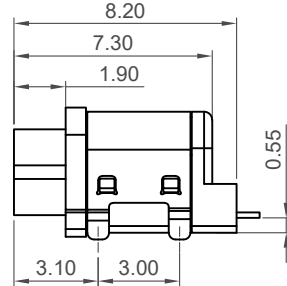
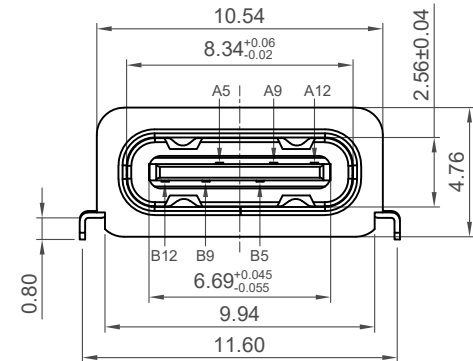
Operating Temperature: -30°C to +85°C

Mating Force: 5 to 20 N.

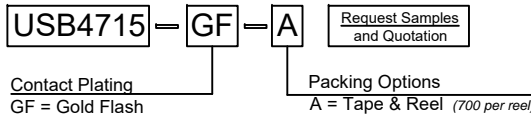
Unmated Force: 6 to 20 N after test

Durability: 10,000 cycles

Ingress Protection Rating: IP67



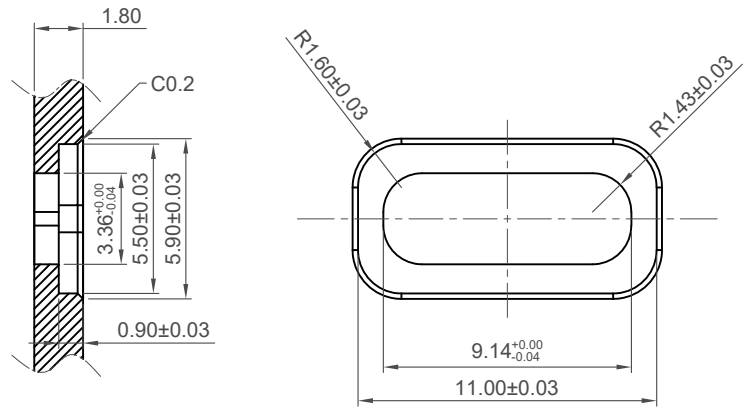
**Ordering Grid**



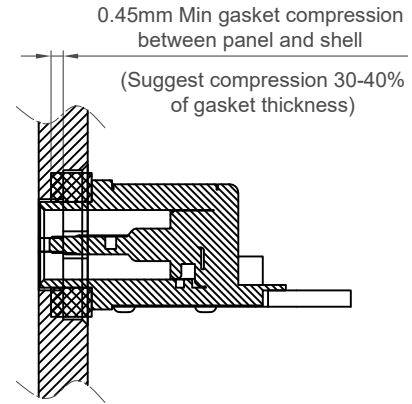
Part Number		Product Description		
USB4715		Type C Receptacle, Horizontal, Mid-Mount, SMT, IP67, For Power Charging Only, 6 Pin		
Drawing Date		4th July 2022		
By	CC	Tolerances (Except as Noted)	Units:	
Detail	Drawing Release	Length	Metric (mm)	
Revision	A	Angle		
Date	04/07/22	X.X ± 0.30		
		X.XX ± 0.25		

This drawing is confidential and copyright of Global Connector Technology, Ltd (GCT). This drawing must not be copied or disclosed without written consent. E & OE

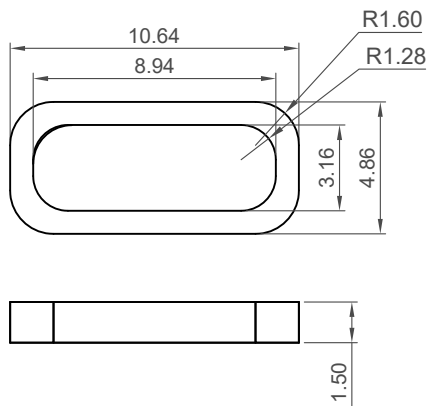
Not to Scale	Drawn By CC	Sheet No. 1/4
--------------	-------------	---------------



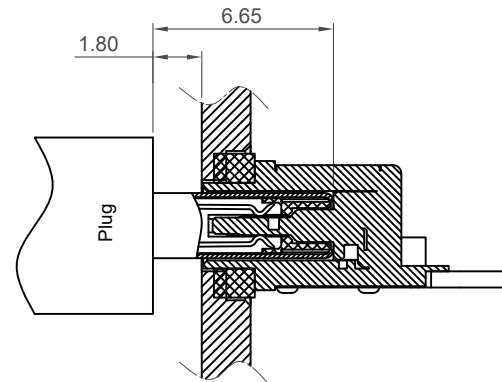
**Recommended Panel Spec**







(Suggest compression 30-40% of gasket thickness)

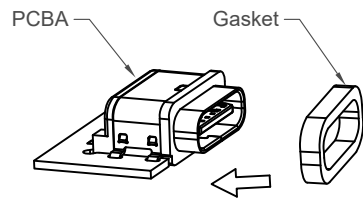


**Recommended Waterproof Gasket**  
Gasket Part No.: USBTJ-04  
(Gasket must be ordered separately)  
(See separate datasheet for specification)

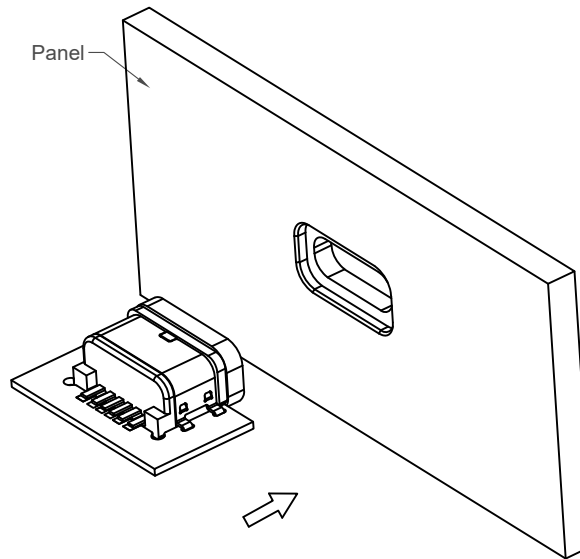


**Plug and Receptacle Mating View**

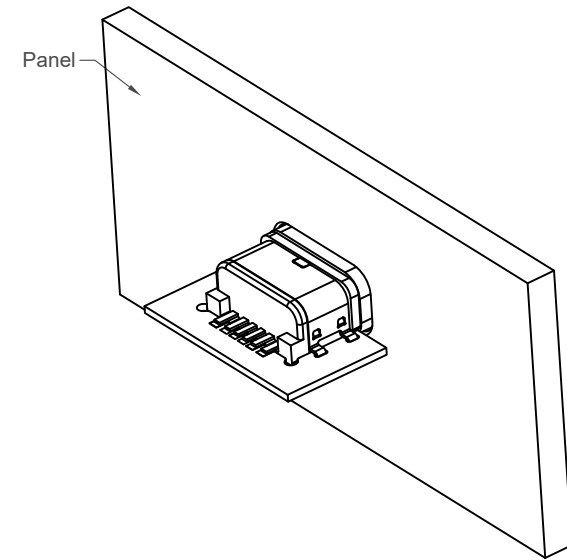
Part Number		Product Description		 <a href="http://www.gct.co">www.gct.co</a>		
USB4715		Type C Receptacle, Horizontal, Mid-Mount, SMT, IP67, For Power Charging Only, 6 Pin				
Drawing Date		4th July 2022				
By	CC	Tolerances (Except as Noted)	Units:			
Detail	Drawing Release	Length X.X ± 0.30	Metric (mm)			
Revision	A	Angle X.XX ± 0.25				
Date	04/07/22	X.XXX ± 0.10				
		 This drawing is confidential and copyright of Global Connector Technology, Ltd (GCT). This drawing must not be copied or disclosed without written consent. E & OE				
		<table border="1"> <tr> <td>Not to Scale</td> <td>Drawn By CC</td> <td>Sheet No. 2/4</td> </tr> </table>		Not to Scale	Drawn By CC	Sheet No. 2/4
Not to Scale	Drawn By CC	Sheet No. 2/4				



Step 1



Step 2

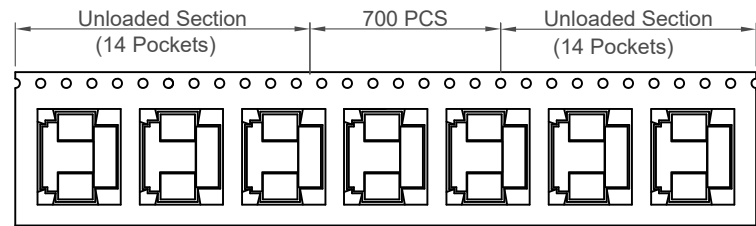


Step 3

Assembly instruction for Gasket set after Reflow  
 Available for Type C Receptacle Waterproof Series

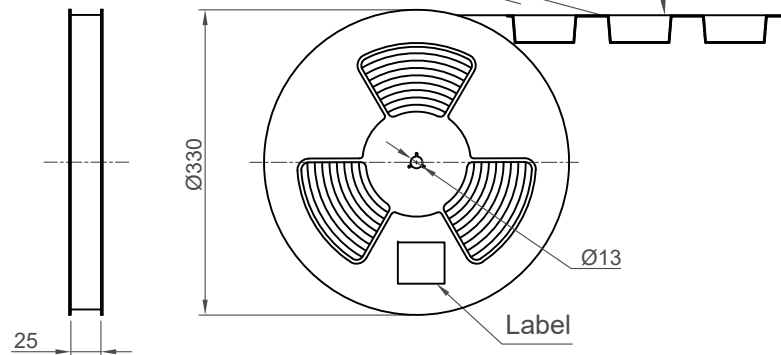
Part Number		Product Description	
USB4715		Type C Receptacle, Horizontal, Mid-Mount, SMT, IP67, For Power Charging Only, 6 Pin	
Drawing Date		4th July 2022	
By	CC	Tolerances (Except as Noted)	Units:
Detail	Drawing Release	Length X.X ± 0.30	Metric (mm)
Revision	A	Angle X.XX ± 0.25	 3rd Angle Projection
Date	04/07/22	X.XXX ± 0.10	
		This drawing is confidential and copyright of Global Connector Technology, Ltd (GCT). This drawing must not be copied or disclosed without written consent. E & OE	
Not to Scale	Drawn By	CC	Sheet No.
			3/4



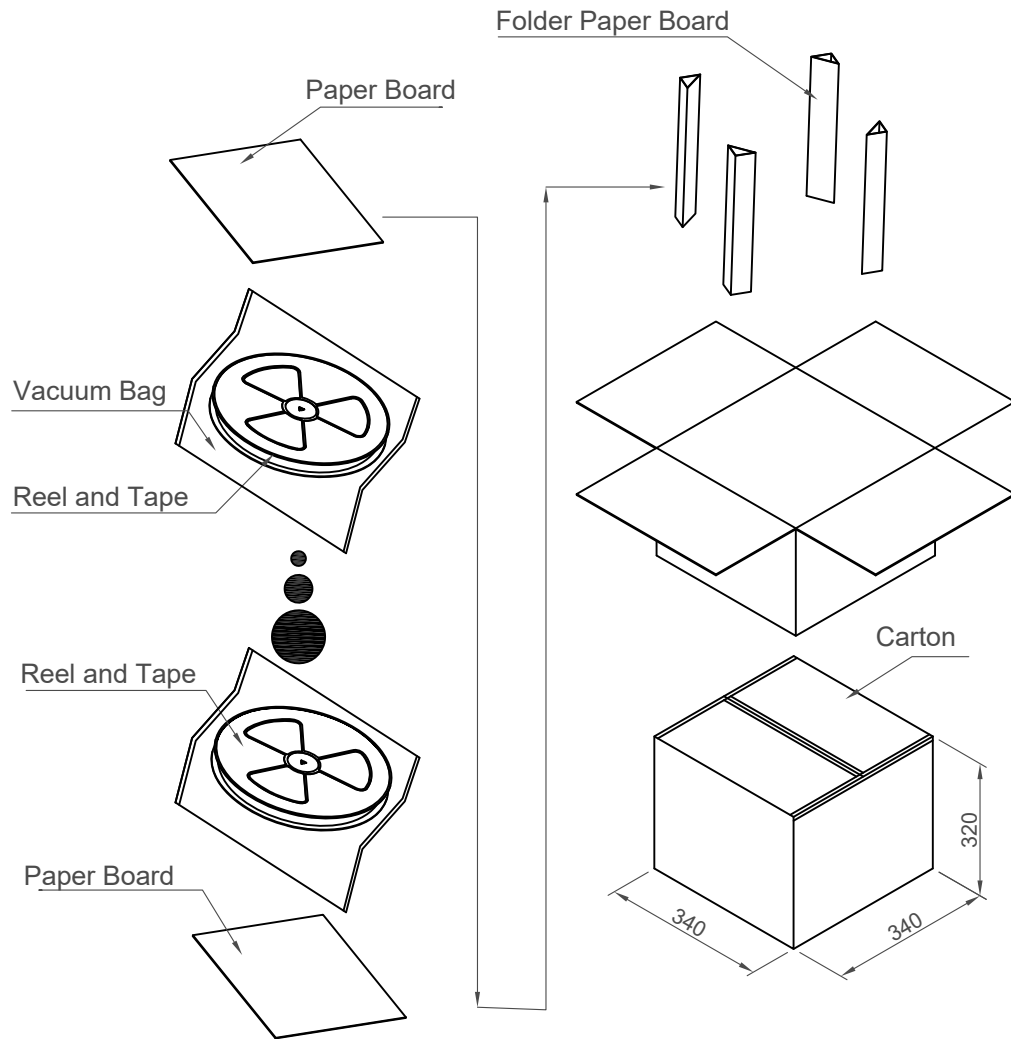
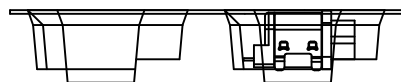
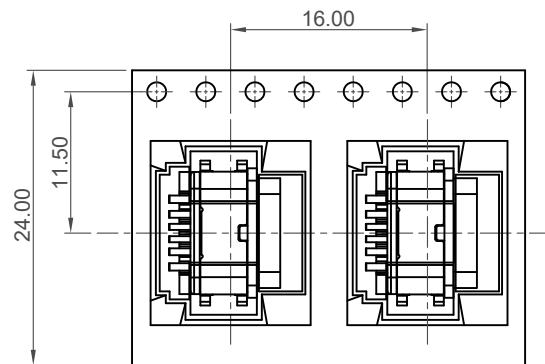


Direction of Unreeling

Peeling Angle 165°~180°



Direction of Unreeling



Pcs / Reel	Reels / Carton	Total Quantity
700	10	7,000 pcs

Part Number		Product Description	
USB4715		Type C Receptacle, Horizontal, Mid-Mount, SMT, IP67, For Power Charging Only, 6 Pin	
Drawing Date		4th July 2022	
By	CC	Tolerances (Except as Noted)	Units:
Detail	Drawing Release	Length	Metric (mm)
Revision	A	Angle	
Date	04/07/22		



This drawing is confidential and copyright of Global Connector Technology, Ltd (GCT). This drawing must not be copied or disclosed without written consent. E & OE



Not to Scale	Drawn By CC	Sheet No. 4/4
--------------	-------------	---------------

## X-ON Electronics

Largest Supplier of Electrical and Electronic Components

*Click to view similar products for [USB Connectors](#) category:*

*Click to view products by [GCT](#) manufacturer:*

Other Similar products are found below :

[950](#) [A-USB A-LP-SMT-C](#) [A-USB B-TOP-C](#) [MUSBA511N5](#) [MUSBD11135](#) [217450-1](#) [KMBVX-TH-5S-B30](#) [896-30-004-00-000000](#)  
[KUSBX-AS2N-W](#) [KUSBX-SMT2AP1S-W30](#) [935](#) [957](#) [30-498-6](#) [SK-60A-2](#) [1734082-1](#) [CIR08AF-20-27S-F80-20](#) [CIR08F-20](#) [30-1574](#) [30-470](#) [30-489](#) [30-541](#) [30-572-3](#) [A-USB A-2P-C](#) [MIKROE-1451](#) [USBFTV2PEM2G](#) [USBFTVC6ZN](#) [USBFTVSCCG](#) [4689-1](#) [1-1734084-2](#)  
[CIR08F-20-27P-F80-VO](#) [USBF21ZNSCC](#) [USBBFTV6ZC](#) [MUSBB151341](#) [10135326-001LF](#) [M9177/3-1](#) [USB-A-S-F-B-VT](#) [925](#) [4198](#) [690-024-633-031](#) [UB-20PMFP-LC7001](#) [USBFTVC6MRG](#) [UA-20BMFA-SL8001](#) [17-200011](#) [USBFTVC7ZC](#) [UB-20AFMM-LL7A01](#)  
[USBFTVC2MN](#) [CAP-WCCMLPB1](#) [CAP-WCCMLPC1](#) [2041386-1](#) [2274475-3](#)