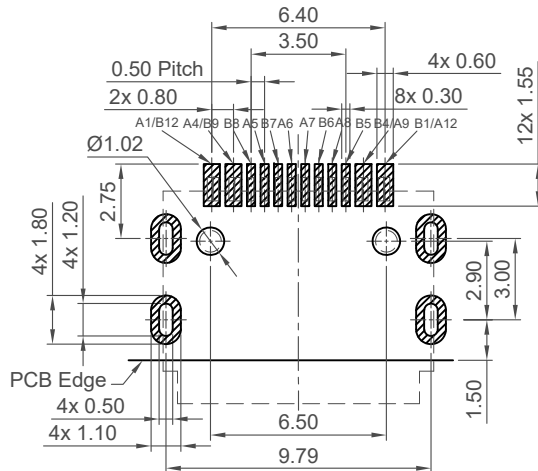
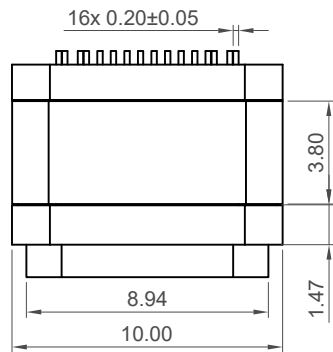
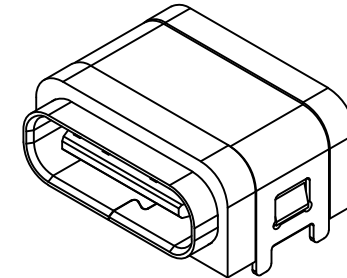


H  
G  
F  
E  
D  
C  
B  
A



**Recommended PCB Layout**  
Thickness 1.20±0.10mm  
Tolerance: ±0.05mm  
Solder Area    Component Outline

Pin	Signal	Mating Sequence	Pin	Signal	Mating Sequence
A1	GND	First	B12	GND	First
A4	Vbus	First	B9	Vbus	First
A5	CC1	Second	B8	SBU2	Second
A6	Dp1	Second	B7	Dn2	Second
A7	Dn1	Second	B6	Dp2	Second
A8	SBU1	Second	B5	CC2	Second
A9	Vbus	First	B4	Vbus	First
A12	GND	First	B1	GND	First
SHELL	GND		SHELL	GND	



**Specifications**

**Material**

Insulator: LCP, UL 94V-0, Black  
Contact: Copper Alloy  
Shell: Stainless Steel  
Mid Plate: Stainless Steel  
Gasket: Silicone Rubber, Part No.: USBTJ-04, Shore Hardness 60A  
*(Gasket+Connector can be ordered separately or together as a KIT)*

**Plating**

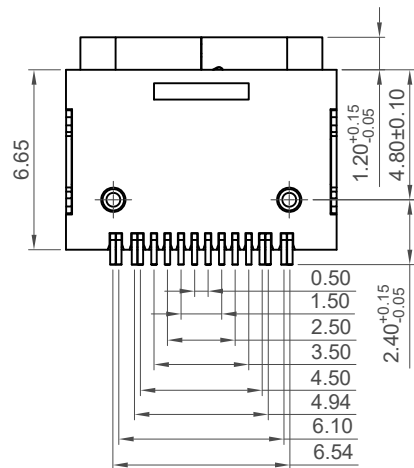
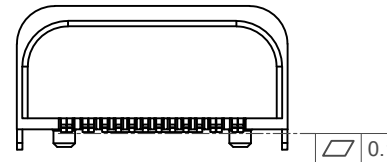
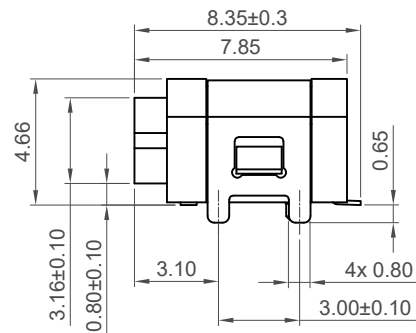
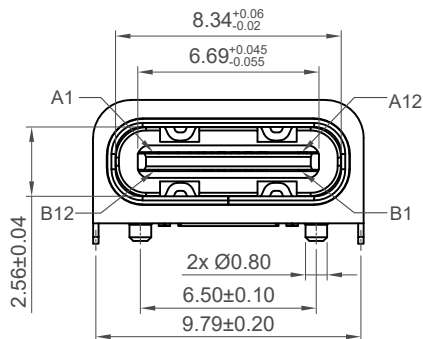
Contact  
Contact Area: Gold Flash  
Solder Tails: Gold Flash  
Underplating: 30µ" min. Nickel  
Shell: 40µ" min. Nickel  
Mid Plate: Clear

**Electrical**

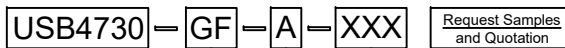
Current Rating: 5.00A collectively for Vbus pins  
6.25A collectively for GND pins  
1.25A for A5/B5 pin  
0.25A per pin for all others pins  
Voltage Rating: 48V DC  
Power Rating: 240W  
Contact Resistance: 40mΩ max initial.  
50mΩ max after test  
Dielectric Withstanding Voltage: 100V AC  
Insulation Resistance 100MΩ min

**Mechanical & Environmental**

Operating Temperature: -30°C to +85°C  
Mating Force: 5 to 20 N  
Unmated Force: 6 to 20 N after test  
Durability: 20,000 cycles  
Ingress Protection Rating: IP67



**Ordering Grid**

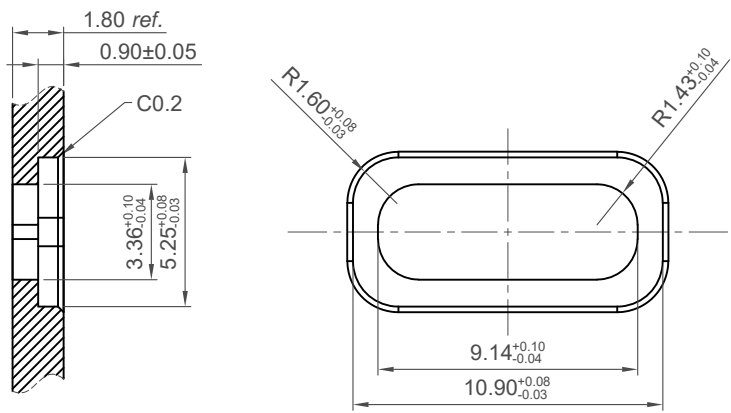


Contact Plating  
GF = Gold Flash

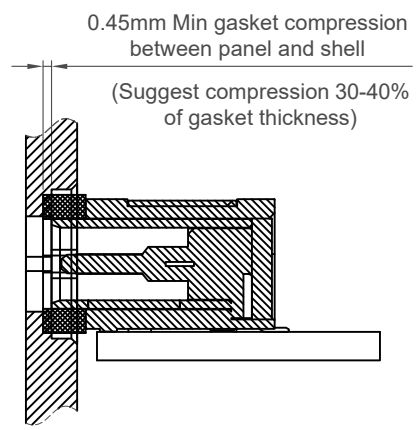
Packing Options  
A = Tape & Reel (600 per reel)

Gasket Options  
KIT = Includes Gasket: USBTJ-04  
Blank = Connector Only (Without gasket)

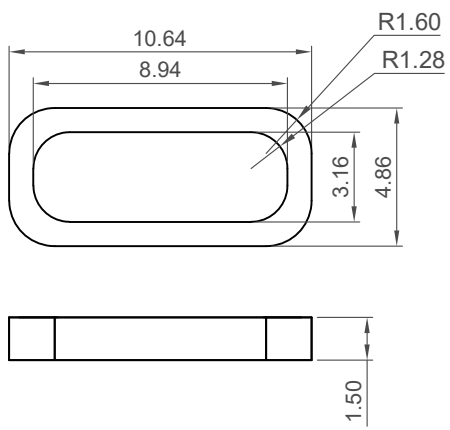
Part Number		Product Description				This drawing is confidential and copyright of Global Connector Technology, Ltd (GCT). This drawing must not be copied or disclosed without written consent. E & OE	
USB4730		Type C Receptacle For USB2.0, SMT Type, Top Mount					
Drawing Date		Horizontal, IP67, 16 Pin					
21st November 2023							
By	CC	Tolerances (Except as Noted)		Units:			
		Length		Metric (mm)			
Detail	Drawing Release	X.X ± 0.20		-			
Revision	A1	X.XX ± 0.15		-			
Date	09/07/24	X.XXX ± 0.10		3rd Angle Projection			
Not to Scale		Drawn By		Sheet No.			
		CC		1/4			



**Recommended Panel Spec**

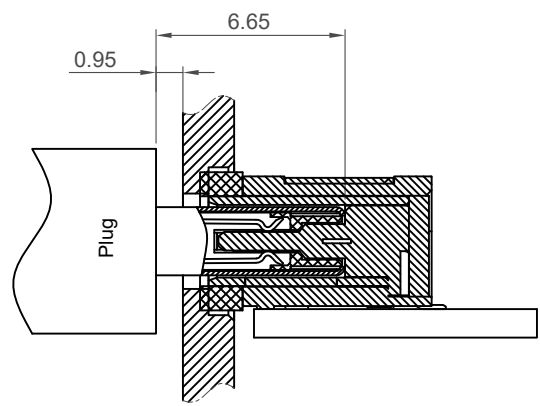


(Suggest compression 30-40% of gasket thickness)






**Recommended Waterproof Gasket**  
Gasket Part No.: USBTJ-04

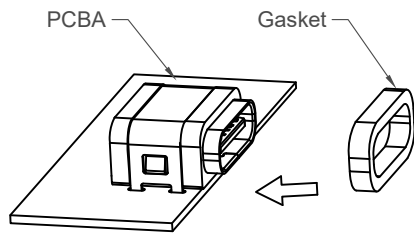
*(Gasket+Connector can be ordered separately or together as a KIT)  
(See separate datasheet for specification)*



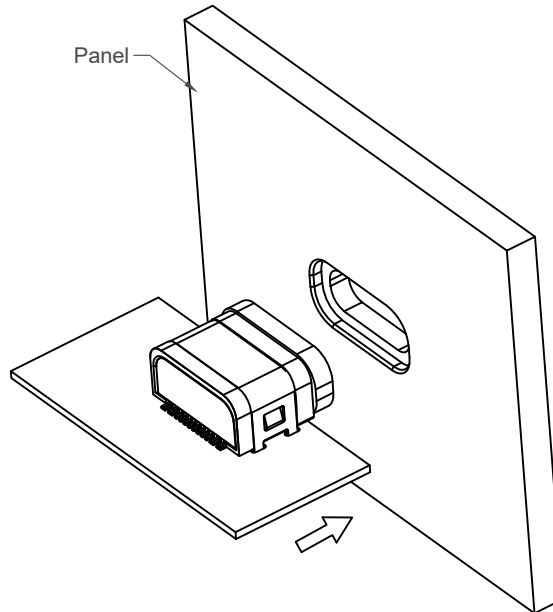
**Plug and Receptacle Mating View**

Part Number		Product Description				This drawing is confidential and copyright of Global Connector Technology, Ltd (GCT). This drawing must not be copied or disclosed without written consent. E & OE
USB4730		Type C Receptacle For USB2.0, SMT Type, Top Mount Horizontal, IP67, 16 Pin				
Drawing Date		21st November 2023				
By	CC	Tolerances (Except as Noted)	Units:			
Detail	Drawing Release	Length	Metric (mm)			
Revision	A1	X.X ± 0.20				
Date	09/07/24	X.XX ± 0.15 X.XXX ± 0.10				
Not to Scale		Drawn By CC		Sheet No. 2/4		

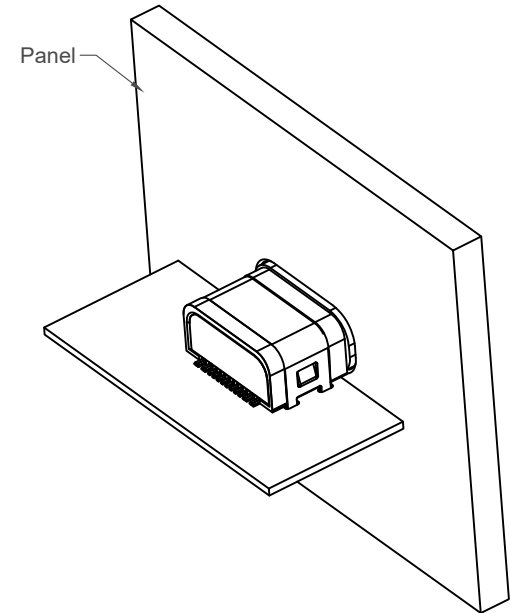




Step 1



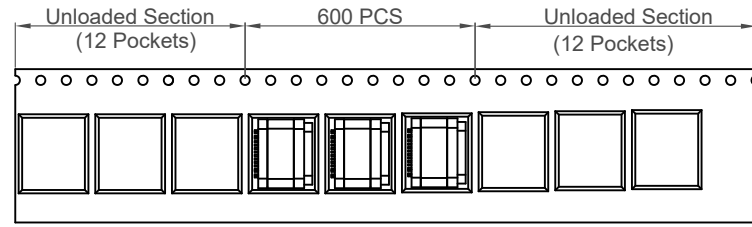
Step 2



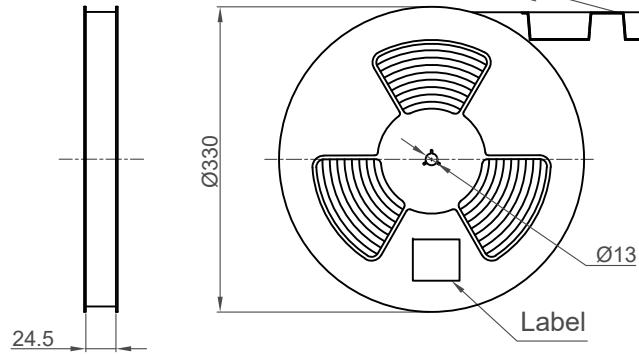
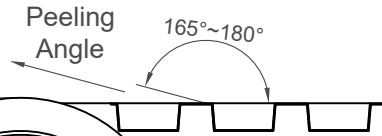
Step 3

Assembly instruction for Gasket set after Reflow  
 Available for Type C Receptacle Waterproof Series

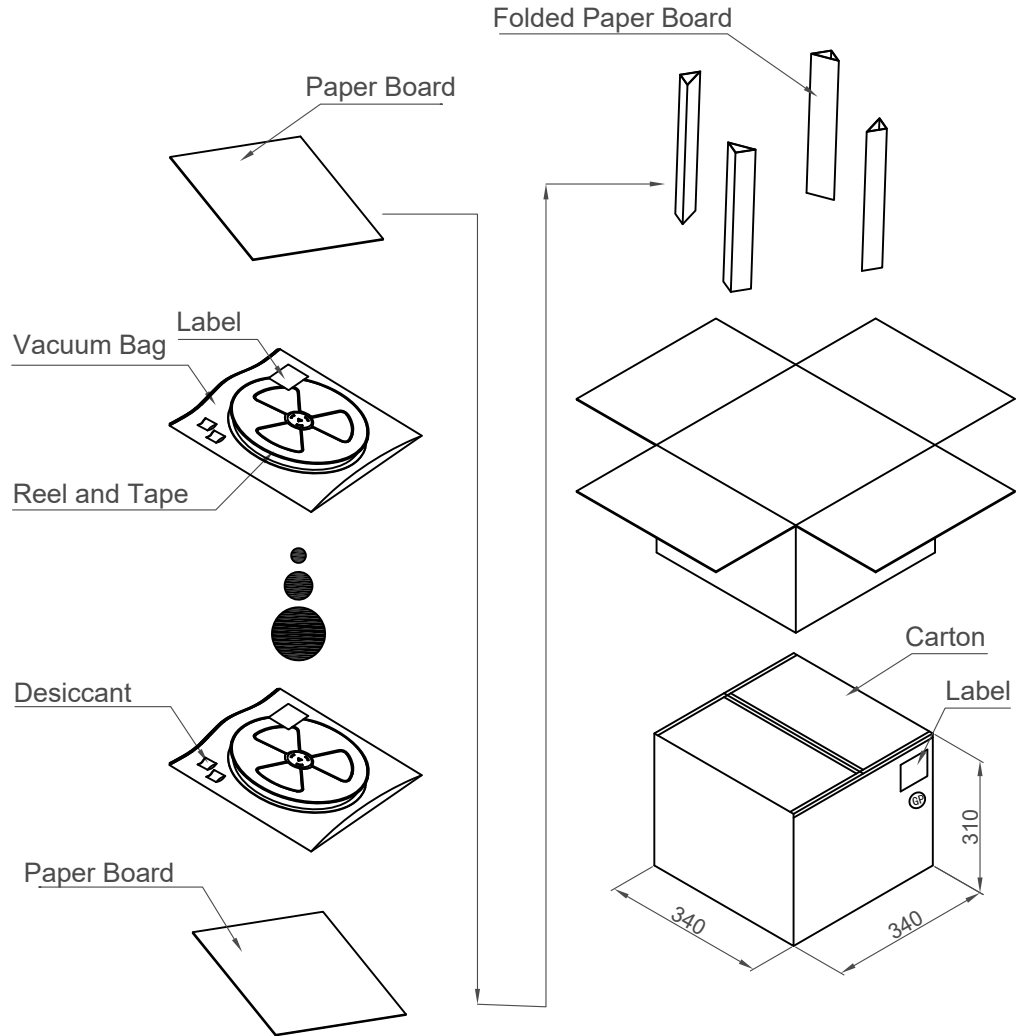
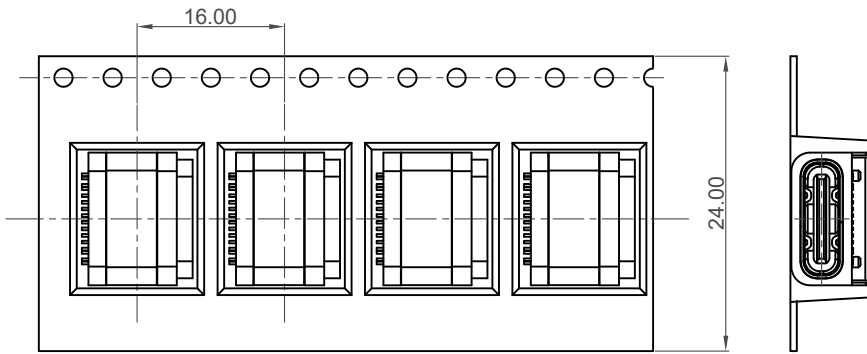
Part Number		Product Description	
USB4730		Type C Receptacle For USB2.0, SMT Type, Top Mount	
Drawing Date		Horizontal, IP67, 16 Pin	
21st November 2023			
By	CC	Tolerances (Except as Noted)	Units:
Detail	Drawing Release	Length	Metric (mm)
Revision	A1	X.X ± 0.20	
Date	09/07/24	X.XX ± 0.15	
		X.XXX ± 0.10	
		This drawing is confidential and copyright of Global Connector Technology, Ltd (GCT). This drawing must not be copied or disclosed without written consent. E & OE	
		<a href="http://www.gct.co">www.gct.co</a>	
Not to Scale	Drawn By CC	Sheet No. 3/4	



Direction of Unreeling



Direction of Unreeling



Pcs / Reel	Reels / Carton	Total Quantity
600	10	6,000 pcs

Part Number		Product Description	
USB4730		Type C Receptacle For USB2.0, SMT Type, Top Mount	
Drawing Date		Horizontal, IP67, 16 Pin	
21st November 2023			
By	CC	Tolerances (Except as Noted)	Units:
Detail	Drawing Release	Length	Metric (mm)
Revision	A1	X.X ± 0.20	
Date	09/07/24	X.XX ± 0.15	
		X.XXX ± 0.10	



This drawing is confidential and copyright of Global Connector Technology, Ltd (GCT). This drawing must not be copied or disclosed without written consent. E & OE



Not to Scale | Drawn By CC | Sheet No. 4/4

## X-ON Electronics

Largest Supplier of Electrical and Electronic Components

*Click to view similar products for [USB Connectors](#) category:*

*Click to view products by [GCT](#) manufacturer:*

Other Similar products are found below :

[950](#) [A-USB A-LP-SMT-C](#) [A-USB B-TOP-C](#) [MUSBD11135](#) [17-200721](#) [217450-1](#) [KMBVX-TH-5S-B30](#) [KUSBX-AS2N-W](#) [KUSBX-SMT2AP1S-W30](#) [935](#) [957](#) [30-498-6](#) [SK-60A-2](#) [1734082-1](#) [30-470](#) [30-489](#) [30-541](#) [MIKROE-1451](#) [USBFTVSCCG](#) [1-1734084-2](#) [10135326-001LF](#) [USB3FTV7APEG](#) [4198](#) [1310-1023-02](#) [690-024-633-031](#) [UB-20PMFP-LC7001](#) [17-200011](#) [UB-20AFMM-LL7A01](#) [1040870124](#) [CAP-WCCMLPB1](#) [2274475-3](#) [UB-20BMFA-SL8001](#) [UB-20BFM-SA7A02](#) [UB-20BFM-SA7A05](#) [914-614A2025S10200](#) [MUSBR-AHD2-M41-SK](#) [ZX40-B-5S-1500-STDA\(30\)](#) [GSB3116344HR](#) [USB3FTV2SAZNF459](#) [USBF21GSCC](#) [U221-041N-1WVS62-F5D](#) [HYCW153-USBD05-500B](#) [HYCW219-USBD05-075B](#) [HYCW148-USBD05-117B](#) [HYCW149-USBD05-740B](#) [HYCW204-USBD05-108B](#) [HYCW214-USBA04-113B](#) [HYCW213-USBA04-113B](#) [UB-20AMFM-SL7A01](#) [KMMX-BSMT35S-1-B30TR](#)