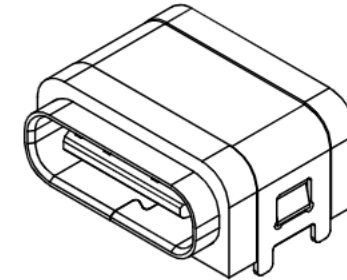


**Recommended PCB Layout**  
Thickness 1.20±0.10mm  
Tolerance: ±0.05mm

■ Solder Area □ Component Outline

Pin	Signal	Mating Sequence	Pin	Signal	Mating Sequence
A1	GND	First	B12	GND	First
A4	Vbus	First	B9	Vbus	First
A5	CC1	Second	B8	SBU2	Second
A6	Dp1	Second	B7	Dn2	Second
A7	Dn1	Second	B6	Dp2	Second
A8	SBU1	Second	B5	CC2	Second
A9	Vbus	First	B4	Vbus	First
A12	GND	First	B1	GND	First
SHELL	GND		SHELL	GND	



**Specifications**

**Material**

Insulator: LCP, UL 94V-0, Black  
Contact: Copper Alloy  
Shell: Stainless Steel  
Mid Plate: Stainless Steel  
Gasket: Silicone Rubber, Part No.: USBTJ-04, Shore Hardness 60A  
(Gasket+Connector can be ordered separately or together as a KIT)

**Plating**

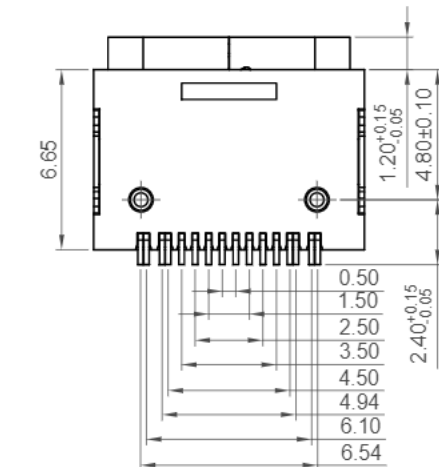
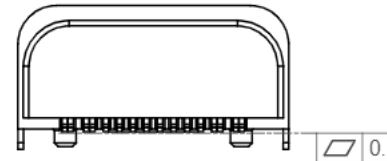
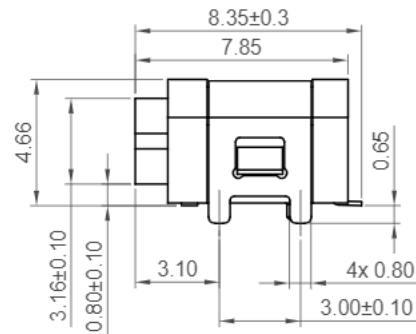
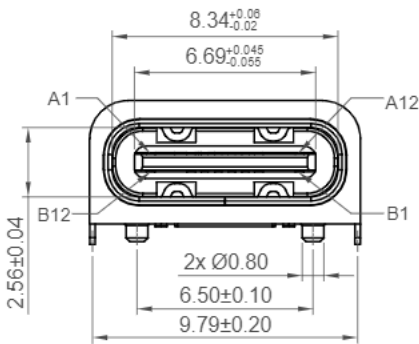
Contact  
Contact Area: Gold Flash  
Solder Tails: Gold Flash  
Underplating: 30µ" min. Nickel  
Shell: 40µ" min. Nickel  
Mid Plate: Clear

**Electrical**

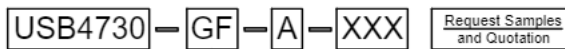
Current Rating: 5.00A collectively for Vbus pins  
6.25A collectively for GND pins  
1.25A for A5/B5 pin  
0.25A per pin for all others pins  
Voltage Rating: 48V DC  
Power Rating: 240W  
Contact Resistance: 40mΩ max initial.  
50mΩ max after test  
Dielectric Withstanding Voltage: 100V AC  
Insulation Resistance 100MΩ min

**Mechanical & Environmental**

Operating Temperature: -30°C to +85°C  
Mating Force: 5 to 20 N.  
Unmated Force: 6 to 20 N after test  
Durability: 20,000 cycles  
Ingress Protection Rating: IP67



**Ordering Grid**



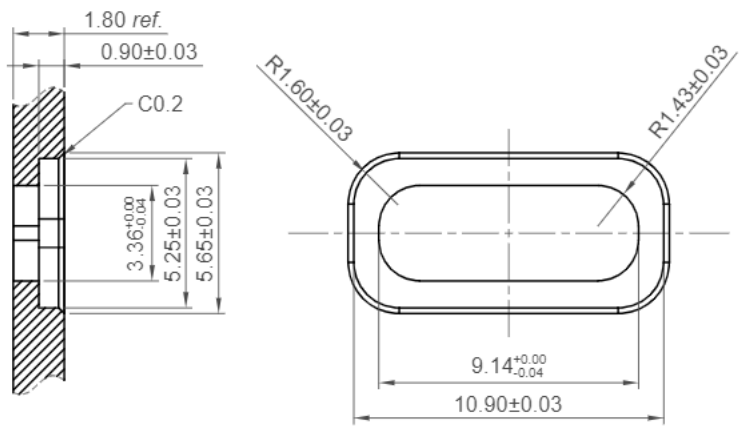
**Contact Plating**  
GF = Gold Flash

**Packing Options**  
A = Tape & Reel (600 per reel)

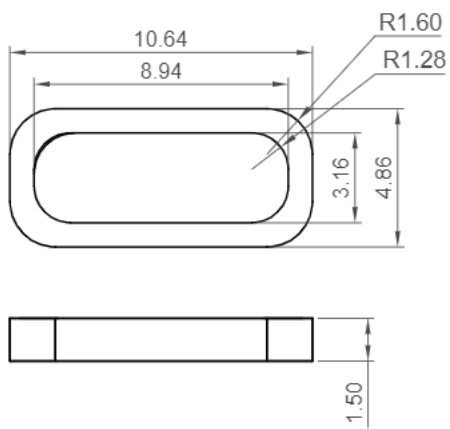
**Gasket Options**

KIT = Includes Gasket: USBTJ-04  
Blank = Connector Only (Without gasket)

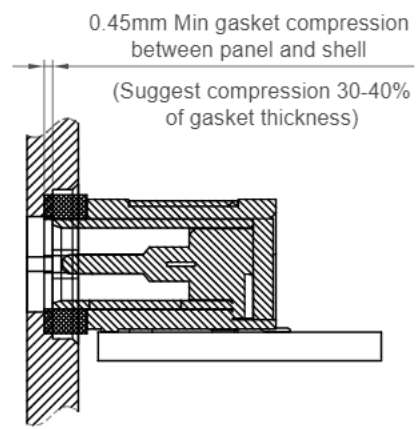
Part Number USB4730		Product Description Type C Receptacle For USB2.0, SMT Type, Top Mount Horizontal, IP67, 16 Pin	
Drawing Date 21st November 2023			
By CC	Detail Drawing Release	Tolerances (Except as Noted) Length X.X ± 0.20 X.XX ± 0.15 X.XXX ± 0.10	Units: Metric (mm)
Revision A	Date 21/11/23	Angle -	3D Angle Projection
		This drawing is confidential and copyright of Global Connector Technology, Ltd (GCT). This drawing must not be copied or disclosed without written consent. E & OE	
Not to Scale	Drawn By CC	Sheet No. 1/4	<a href="http://www.gct.co">www.gct.co</a>



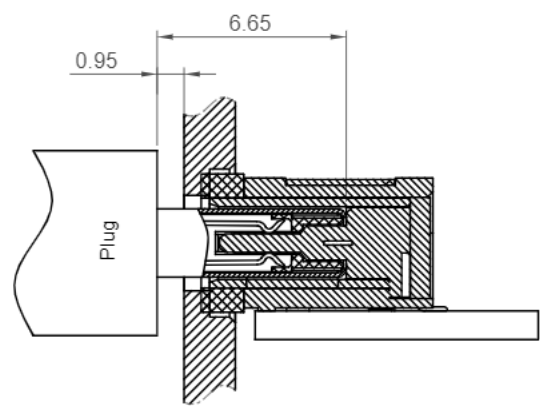
**Recommended Panel Spec**



**Recommended Waterproof Gasket**  
**Gasket Part No.: USBTJ-04**  
*(Gasket+Connector can be ordered separately or together as a KIT)*  
*(See separate datasheet for specification)*

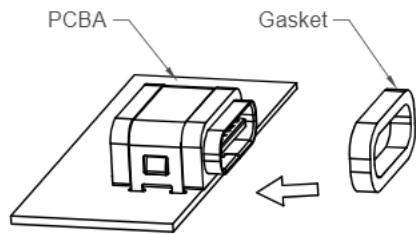


*(Suggest compression 30-40% of gasket thickness)*

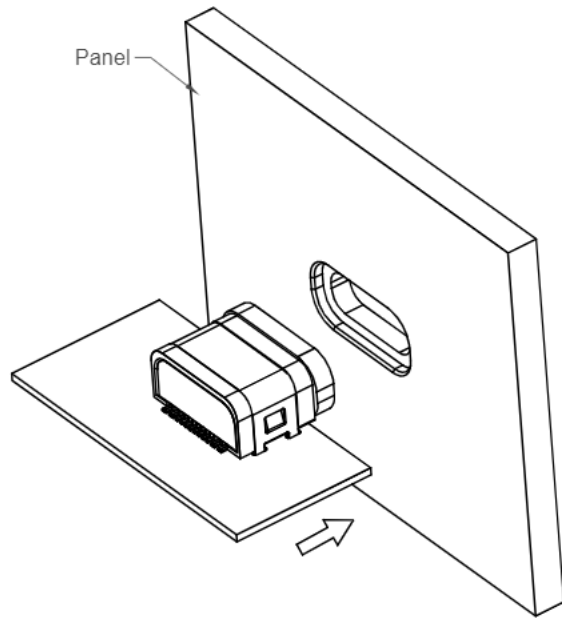


**Plug and Receptacle Mating View**

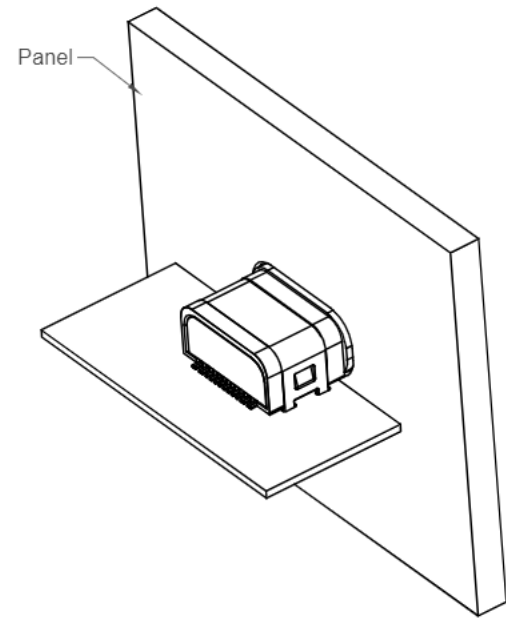
Part Number		Product Description				This drawing is confidential and copyright of Global Connector Technology, Ltd (GCT). This drawing must not be copied or disclosed without written consent. E & OE
USB4730		Type C Receptacle For USB2.0, SMT Type, Top Mount Horizontal, IP67, 16 Pin				
Drawing Date		Units:			Not to Scale	Drawn By CC
21st November 2023		Metric (mm)				
By	CC	Tolerances (Except as Noted)	Angle		Not to Scale	Drawn By CC
Detail	Drawing Release	X.X ± 0.20				
Revision	A	X.XX ± 0.15	-			
Date	21/11/23	X.XXX ± 0.10				
						Sheet No. 2/4



Step 1



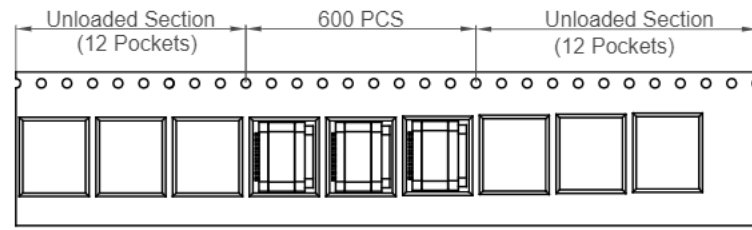
Step 2



Step 3

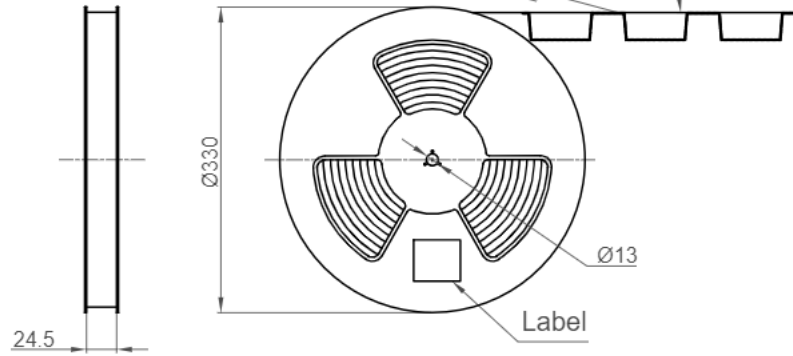
Assembly instruction for Gasket set after Reflow  
 Available for Type C Receptacle Waterproof Series

Part Number		Product Description		<b>GCT</b> www.gct.co
USB4730		Type C Receptacle For USB2.0, SMT Type, Top Mount		
Drawing Date		Horizontal, IP67, 16 Pin		
21st November 2023				
By	CC	Tolerances (Except as Noted)	Units:	This drawing is confidential and copyright of Global Connector Technology, Ltd (GCT). This drawing must not be copied or disclosed without written consent. E & OE
Detail	Drawing Release	Length	Metric (mm)	
Revision	A	Angle	3rd Angle Projection	
Date	21/11/23	X.X ± 0.20		
		X.XX ± 0.15		
		X.XXX ± 0.10		
				RoHS COMPLIANT 2011/RE/UE Deca-BDE ✓
				Not to Scale Drawn By CC
				Sheet No. 3/4

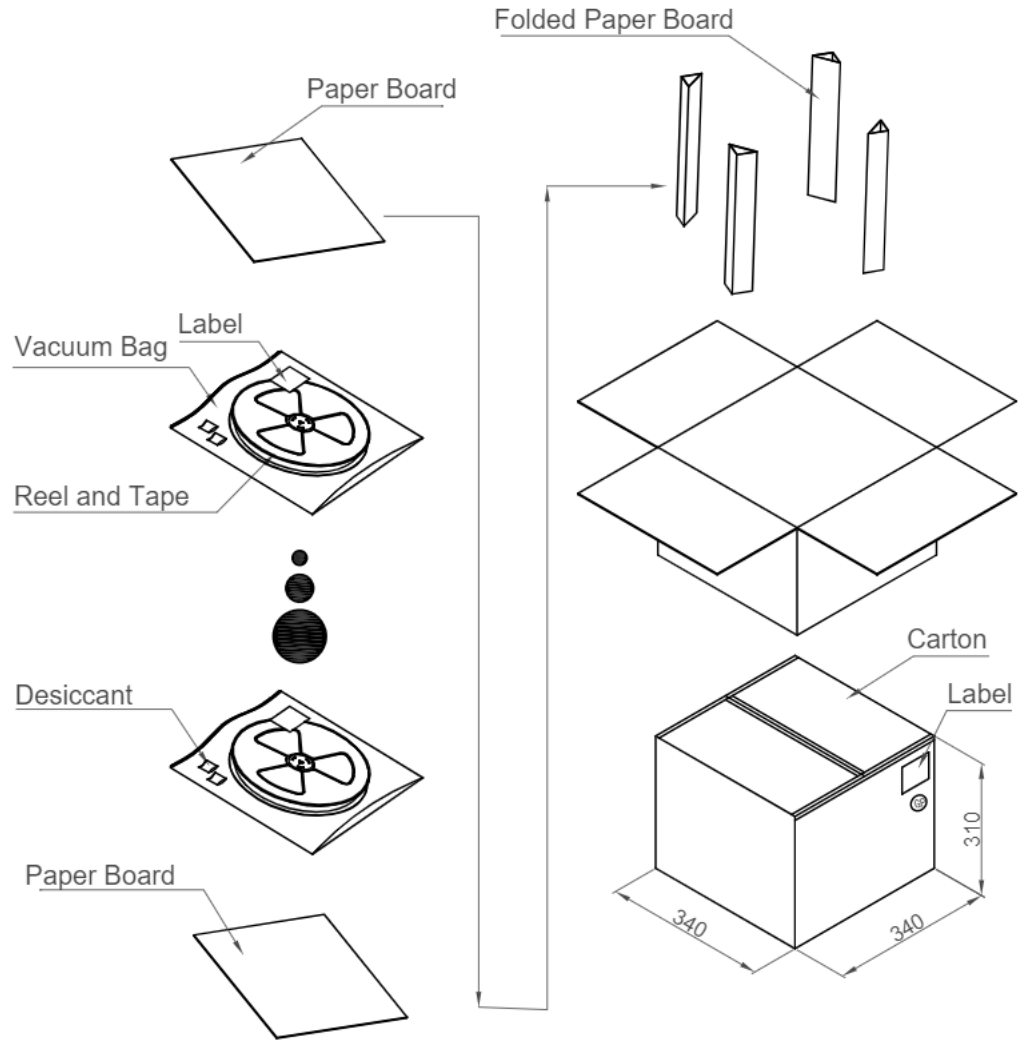
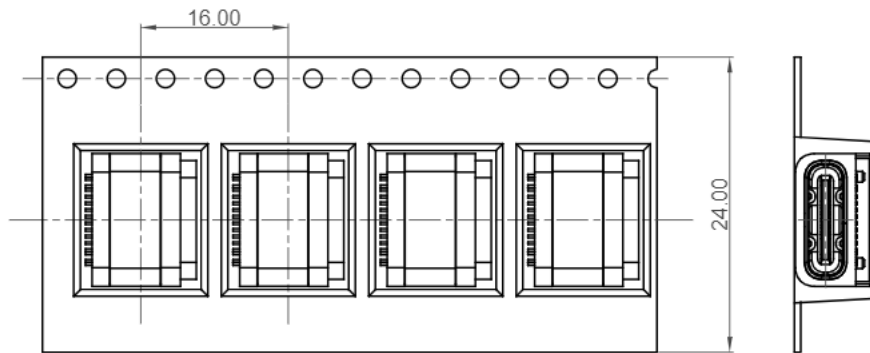


Direction of Unreeling

Peeling Angle 165°~180°



Direction of Unreeling



Pcs / Reel	Reels / Carton	Total Quantity
600	10	6,000 pcs

Part Number		Product Description	
USB4730		Type C Receptacle For USB2.0, SMT Type, Top Mount	
Drawing Date		Horizontal, IP67, 16 Pin	
21st November 2023			
By	CC	Tolerances (Except as Noted)	Units:
Detail	Drawing Release	Length	Metric (mm)
Revision	A	Angle	
Date	21/11/23	X.X ± 0.20	
		X.XX ± 0.15	
		X.XXX ± 0.10	



This drawing is confidential and copyright of Global Connector Technology, Ltd (GCT). This drawing must not be copied or disclosed without written consent. E & OE



Not to Scale	Drawn By CC	Sheet No. 4/4
--------------	-------------	---------------

## X-ON Electronics

Largest Supplier of Electrical and Electronic Components

*Click to view similar products for [USB Connectors](#) category:*

*Click to view products by [GCT](#) manufacturer:*

Other Similar products are found below :

[950](#) [MUSBD11135](#) [17-200721](#) [217450-1](#) [KMBVX-TH-5S-B30](#) [KUSBX-AS2N-W](#) [KUSBX-SMT2AP1S-W30](#) [935](#) [957](#) [30-498-6](#) [SK-60A-2](#)  
[1734082-1](#) [30-470](#) [30-489](#) [30-541](#) [A-USB A-2P-C](#) [MIKROE-1451](#) [USBFTVSCCG](#) [1-1734084-2](#) [10135326-001LF](#) [4198](#) [USB-A-D-VT](#)  
[USB-A-S-RA-TSMT](#) [1310-1023-02](#) [690-024-633-031](#) [UB-20PMFP-LC7001](#) [17-200011](#) [UB-20AFMM-LL7A01](#) [1040870124](#) [CAP-](#)  
[WCCMLPB1](#) [CAP-WCCMLPC1](#) [2274475-3](#) [UB-20BMFA-SL8001](#) [914-614A2025S10200](#) [USB3FTV7SAGF059](#) [ZX40-B-5S-1500-](#)  
[STDA\(30\)](#) [GSB3116344HR](#) [USB3FTV2SAZNF459](#) [USB3FTV7SAZNF459](#) [U221-041N-1WVS62-F5D](#) [HYCW153-USBD05-500B](#)  
[HYCW219-USBD05-075B](#) [HYCW148-USBD05-117B](#) [HYCW149-USBD05-740B](#) [HYCW204-USBD05-108B](#) [HYCW214-USBA04-113B](#)  
[HYCW213-USBA04-113B](#) [UB-20AMFM-SL7A01](#) [KMMX-BSMT35S-1-B30TR](#) [2345986-1](#)