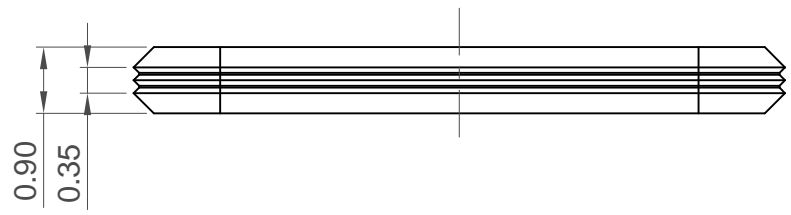




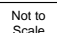
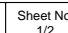
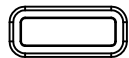


Section A-A

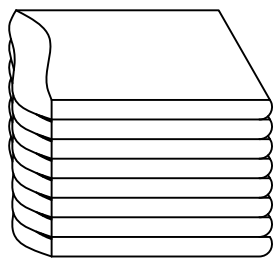


Recomended Waterproof Gasket Spec
 Material: Silicone
 Colour:Black
 Used with: USB3500,USB3505,USB3510

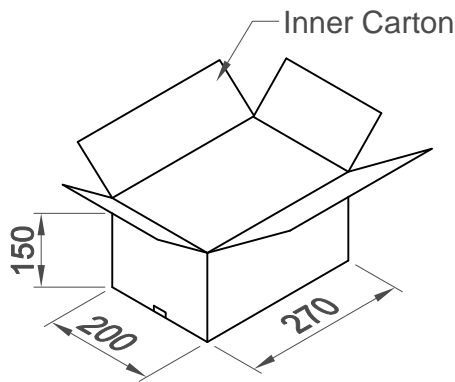
Part Number		Product Description		 www.gct.co
USBTJ-02		Micro USB Waterproof Gasket		
Drawing Date		21st September 2018		
By	CC	Tolerances (Except as Noted)		
Detail	Drawing Release	Length	Angle	
Revision	A	X. ± 0.50	± 1°	
Date	21/09/18	X.X ± 0.30		
		X.XX ± 0.20		
		X.XXX ± 0.10		
		Units:		
		Metric (mm)		
		This drawing is confidential and copyright of Global Connector Technology, Ltd (GCT). This drawing must not be copied or disclosed without written consent. E & OE		
		Not to Scale		
		Drawn By		
		CC		



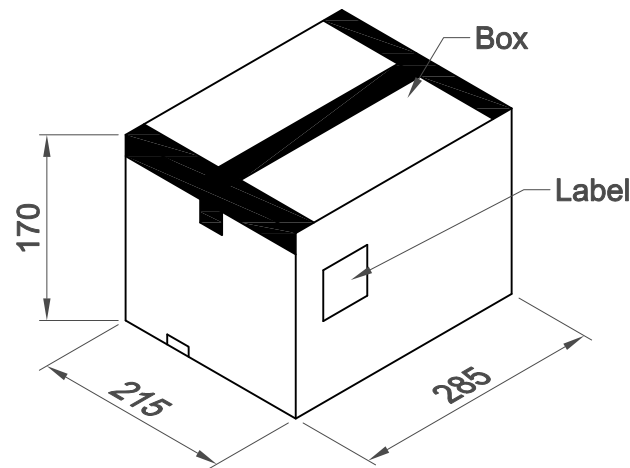
PE Bag



15 Bags



Inner Carton



Box

Label

Pcs / Bag	Bags / Box	Total Quantity
5000	15	75000 pcs

Part Number		Product Description	
USBTJ-02		Micro USB Waterproof Gasket	
Drawing Date		21st September 2018	
By	CC	Tolerances (Except as Noted)	Units:
Detail	Drawing Release	Length	Metric (mm)
Revision	A	X. ± 0.50	
Date	21/09/18	X.X ± 0.30	
		X.XX ± 0.20	
		X.XXX ± 0.10	
		± 1°	
			<p>This drawing is confidential and copyright of Global Connector Technology, Ltd (GCT). This drawing must not be copied or disclosed without written consent. E & OE</p>
Not to Scale	Drawn By	Sheet No.	
	CC	2/2	



H
G
F
E
D
C
B
A

1 2 3 4 5 6 7 8

X-ON Electronics

Largest Supplier of Electrical and Electronic Components

Click to view similar products for [USB Connectors](#) category:

Click to view products by [GCT](#) manufacturer:

Other Similar products are found below :

[950](#) [A-USB A-LP-SMT-C](#) [A-USB B-TOP-C](#) [MUSBD11135](#) [17-200721](#) [217450-1](#) [KMBVX-TH-5S-B30](#) [896-30-004-00-000000](#) [KUSBX-AS2N-W](#) [KUSBX-SMT2AP1S-W30](#) [935](#) [957](#) [30-498-6](#) [SK-60A-2](#) [1734082-1](#) [30-1574](#) [30-470](#) [30-489](#) [30-541](#) [MAB 5 S](#) [A-USB A-2P-C](#) [MIKROE-1451](#) [USBFTV2PEM2G](#) [1-1734084-2](#) [10135326-001LF](#) [4198](#) [690-024-633-031](#) [17-200011](#) [UB-20AFMM-LL7A01](#) [CAP-WCCMLPB1](#) [CAP-WCCMLPC1](#) [2274475-3](#) [914-614A2025S10200](#) [USB3FTV7SAGF059](#) [GSB3116344HR](#) [GSB22121WCEU](#) [GMSB0522152Y5EU](#) [USB3FTV2SAZNF459](#) [USB3FTV7SAZNF459](#) [KMMX-BSMT35S-1-B30TR](#) [00201-UCAF002-X](#) [00302-UCAF001-X](#) [00302-UCAF005-A](#) [00302-UCAF006-A](#) [00302-UCAF007-B](#) [00302-UCAM002-N](#) [00304-UCAM005-X](#) [00313-UCAF001-X](#) [00401-UCAF001-X](#) [00501-UCAF006-X](#)