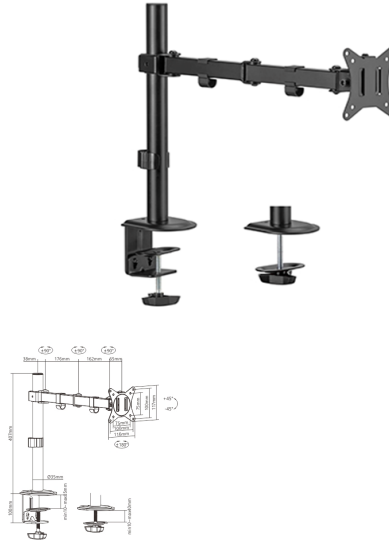


MA-D1-01

# Adjustable desk display mounting arm (rotate, tilt, swivel), 17"-32", up to 9 kg

- Position your screen perfectly
- Lightweight and tilting design



## Features

- Monitor desk mount with single monitor arm
- Arm allows to swivel, extend, retract or tilt your display and enables rotating the display from landscape-to-portrait mode, etc
- Works with almost any LCD monitor (max. 32")
- Strong desk clamp or grommet for easy and secure fixation on your desk
- Built-in cable management for an organized and neat workspace
- VESA compatible (100 x 100 mm and 75 x 75 mm)

## Packaging

Q'ty in crtn, pcs	6
Crtn volume, CUM	0.0372465
Crtn weight, kgs	18.14
Individual package size LxWxH:	428x125x97 mm
Carton size LxWxH:	445x270x310 mm
Country of origin	CN
Barcode	8716309126069
Customs code	8302500000

## Package contents

Arm elements  
Installation accessories kit  
Installation manual

## Specifications

Material: steel, plastic  
Surface finish: powder coating  
Color: fine texture black  
Fit screen size: 17" 32"  
Weight capacity: 9 kg  
Vesa compatible: 100x100, 75x75 mm  
Tilt range: +45° ~ -45°  
Swivel range: +90° ~ -90°  
Screen rotation: +180° ~ -180°  
Installation: grommet, clamp  
Suggested desktop thickness: clamp: 10 ~ 85 mm. grommet: 10 ~ 40 mm

## Certificates



## X-ON Electronics

Largest Supplier of Electrical and Electronic Components

*Click to view similar products for [Mounting Fixings](#) category:*

*Click to view products by [Gembird](#) manufacturer:*

Other Similar products are found below :

[5912235-1 REV](#) - [71-215091-8S](#) [71-344699-4S](#) [75-69211-3P](#) [75-69214-6P](#) [75-69224-28P](#) [75-69232-17S](#) [7717-8DAP](#) [85043GULPR](#)  
[85048GBESR](#) [PMS27488-001-01](#) [1-18023-0](#) [H-118-2](#) [1301790551](#) [1302263564](#) [BR16A](#) [NT20SATT01](#) [22594-8](#) [89078GBESR](#)  
[9150700000](#) [SF4011-60101](#) [1671](#) [1855-54](#) [1996901-1](#) [2079844-1](#) [2193](#) [2518](#) [H-118-1](#) [BACC47CN2S](#) [LF9Z-1SB22](#) [WMLX-109](#)  
[ELXA051G1](#) [2547](#) [1453315-11](#) [71-452350-8S](#) [71-572965-8S](#) [75-69214-7J](#) [75-69224-28G](#) [75-69811-3S](#) [H373247-15](#) [81517301](#) [P954-1](#)  
[860099-1](#) [1189-90](#) [1106352-2](#) [M39014/01-1570](#) [30809-700](#) [6024](#) [197-007](#) [BRKT-ND](#)