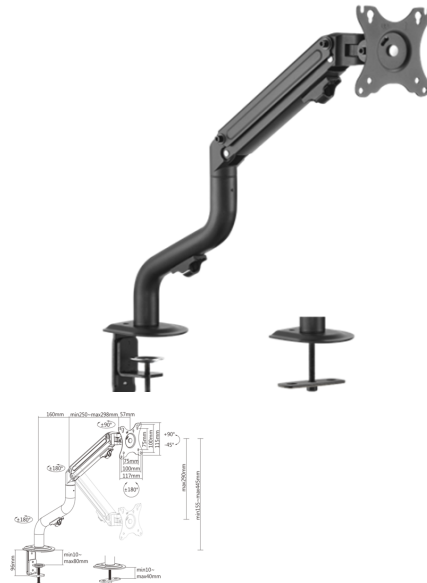


MA-DA1-02

Adjustable desk display mounting arm (tilting), 17"-32", up to 8 kg

- Position your screen perfectly
- Lightweight and tilting design



Features

- Monitor desk mount with single monitor arm
- Arm rotates, extends and retracts, tilts to change reading angles, and allows to rotate display from landscape-to-portrait mode, etc
- Enables easy ergonomic positioning for reduced strain
- Works with almost any LCD monitor (max. 32")
- Durable adjustable gas-springs suitable for monitors of 2-8 kg
- Strong desk clamp or grommet for easy and secure fixation on your desk
- Built-in cable management for an organized and neat workspace

Packaging

Q'ty in crtn, pcs
Crtn volume, CUM
Crtn weight, kgs
Individual package size LxWxH:
Carton size LxWxH:
Country of origin
Barcode
Customs code

6
0.05038735
16.43
428x155x105 mm
445x335x338 mm
CN
8716309126090
8302500000

Package contents

Desk arm
User manual
Mounting tools bag

Specifications

Material: steel, aluminum, plastic
Surface finish: powder coating
Color: fine texture black
Fit screen size: 17" 32"
Weight capacity (per screen): 2 ~ 8 kg
Vesa compatible: 100x100, 75x75 mm
Tilt range: +90° ~ -45°
Swivel range: +90° ~ -90°
Screen rotation: +180° ~ -180°
Installation: grommet, clamp
Suggested desktop thickness: clamp:10 ~ 80 mm, grommet:10 ~ 40 mm

Certificates



X-ON Electronics

Largest Supplier of Electrical and Electronic Components

Click to view similar products for [Mounting Fixings](#) category:

Click to view products by [Gembird](#) manufacturer:

Other Similar products are found below :

[5912235-1 REV](#) - [71-215091-8S](#) [71-344699-4S](#) [75-69211-3P](#) [75-69214-6P](#) [75-69224-28P](#) [75-69232-17S](#) [7717-8DAP](#) [85043GULPR](#)
[85048GBESR](#) [PMS27488-001-01](#) [1-18023-0](#) [H-118-2](#) [1301790551](#) [1302263564](#) [BR16A](#) [NT20SATT01](#) [22594-8](#) [89078GBESR](#)
[9150700000](#) [SF4011-60101](#) [1671](#) [1855-54](#) [1996901-1](#) [2079844-1](#) [2193](#) [2518](#) [H-118-1](#) [BACC47CN2S](#) [LF9Z-1SB22](#) [WMLX-109](#)
[ELXA051G1](#) [2547](#) [1453315-11](#) [71-452350-8S](#) [71-572965-8S](#) [75-69214-7J](#) [75-69224-28G](#) [75-69811-3S](#) [H373247-15](#) [81517301](#) [P954-1](#)
[860099-1](#) [1189-90](#) [1106352-2](#) [M39014/01-1570](#) [30809-700](#) [6024](#) [197-007](#) [BRKT-ND](#)