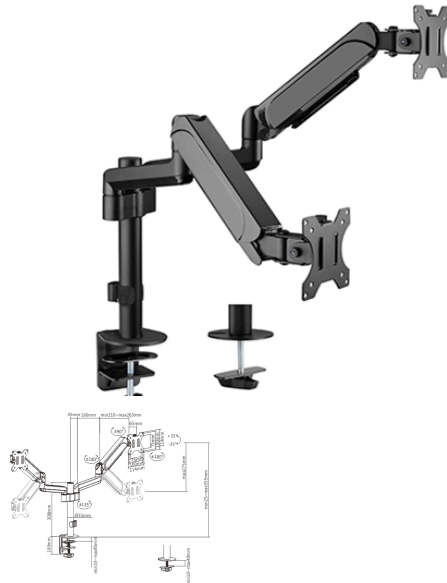


MA-DA2P-01

Adjustable desk 2-display mounting arm, 17"-32", up to 9 kg

- Position your screen perfectly
- Lightweight and tilting design



Features

- Monitor desk mount with double monitor arms
- Arms rotate, extend and retract, tilt to change reading angles, and allow to rotate displays from landscape-to-portrait mode, etc
- Enables easy ergonomic positioning for reduced strain
- Works with almost any LCD monitor (max. 32")
- Durable adjustable gas-springs suitable for monitors of 1 9 kg
- Strong desk clamp or grommet for easy and secure fixation on your desk
- Built-in cable management for an organized and neat workspace

Packaging

Q'ty in crtn, pcs	3
Crtn volume, CUM	0.04628736
Crtn weight, kgs	17.52
Individual package size LxWxH:	396x235x142 mm
Carton size LxWxH:	410x252x448 mm
Country of origin	CN
Barcode	8716309126144
Customs code	8302500000

Package contents

Desk arm
User manual
Mounting tools bag

Specifications

Material: steel, plastic, aluminum
Surface finish: powder coating
Color: fine texture black
Fit screen size: 17" 32"
Weight capacity (per screen): 1 ~ 9 kg
Vesa compatible: 100x100, 75x75 mm
Tilt range: +35° ~ -35°
Swivel range: +90° ~ -90°
Screen rotation: +180°~-180°
Installation: grommet, clamp
Suggested desktop thickness: clamp:10 ~ 85 mm, grommet:10 ~ 40 mm

Certificates



X-ON Electronics

Largest Supplier of Electrical and Electronic Components

Click to view similar products for [Mounting Fixings](#) category:

Click to view products by [Gembird](#) manufacturer:

Other Similar products are found below :

[5912235-1 REV](#) - [71-215091-8S](#) [75-69211-3P](#) [75-69214-6P](#) [75-69220-27S](#) [7717-8DAP](#) [85048GBESR](#) [PMS27488-001-01](#) [1-18023-0](#) [H-118-2](#) [1301790551](#) [BR16A](#) [NT20SATT01](#) [22594-8](#) [89078GBEPR](#) [89078GBESR](#) [9150700000](#) [SF4011-60101](#) [1671](#) [1855-54](#) [1996901-1](#) [2079844-1](#) [2193](#) [2518](#) [H-118-1](#) [BACC47CN2S](#) [LF9Z-1SB22](#) [WMLX-109](#) [364202K01V167](#) [ELXA051G1](#) [2547](#) [1453315-11](#) [71-452350-8S](#) [71-572965-8S](#) [75-69214-7J](#) [75-69811-3S](#) [H373247-15](#) [81517301](#) [P954-1](#) [860099-1](#) [1189-90](#) [1106352-2](#) [5D0515-20S REV A](#) [M39014/01-1570](#) [30809-700](#) [6024](#) [734032001](#) [197-007](#) [BRKT-ND](#) [197-003](#)