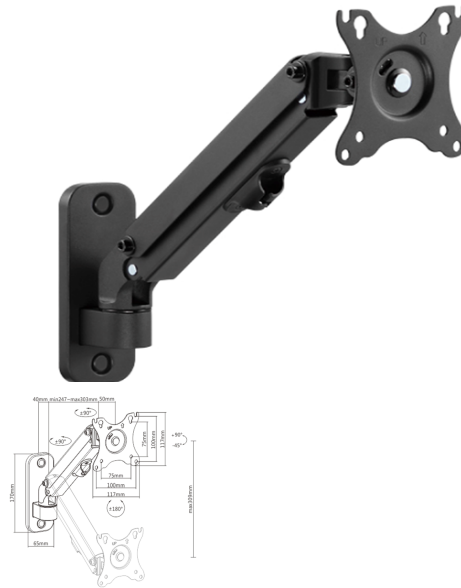


MA-WA1-01

# Adjustable wall display mounting arm, up to 27"/7 kg

- Position your screen perfectly



## Features

- Monitor wall mount with single monitor arm
- Arm rotates, extends and retracts, tilts to change reading angles, and allows to rotate display from landscape-to-portrait mode, etc
- Enables easy ergonomic positioning for reduced strain
- Works with almost any LCD TV/monitor (max. 27")
- Durable adjustable spring suitable for monitors of 2.7 kg
- Built-in cable management for an organized and neat workspace
- VESA compatible (100 x 100 mm and 75 x 75 mm)

## Packaging

|                                |                |
|--------------------------------|----------------|
| Q'ty in crtn, pcs              | 4              |
| Crtn volume, CUM               | 0.0380841      |
| Crtn weight, kgs               | 7.46           |
| Individual package size LxWxH: | 450x200x90 mm  |
| Carton size LxWxH:             | 470x222x365 mm |
| Country of origin              | CN             |
| Barcode                        | 8716309106887  |
| Customs code                   | 8302500000     |

## Package contents

- Desk arm
- User manual
- Mounting tools bag

## Specifications

Material: aluminum, steel, plastic  
 Surface finish: powder coating  
 Color: fine texture black  
 Fit screen size: 17" 27"  
 Weight capacity: 2 ~ 7 kg  
 Vesa compatible: 100x100, 75x75 mm  
 Tilt range: +90° ~ -45°  
 Swivel range: +90° ~ -90°  
 Screen rotation: +180° ~ -180°  
 Installation: wall mounted  
 Cable management: yes

## Certificates



## X-ON Electronics

Largest Supplier of Electrical and Electronic Components

*Click to view similar products for [Mounting Fixings](#) category:*

*Click to view products by [Gembird](#) manufacturer:*

Other Similar products are found below :

[5912235-1 REV](#) - [71-215091-8S](#) [75-69211-3P](#) [75-69214-6P](#) [75-69220-27S](#) [7717-8DAP](#) [85048GBESR](#) [PMS27488-001-01](#) [1-18023-0](#) [H-118-2](#) [1301790551](#) [BR16A](#) [NT20SATT01](#) [22594-8](#) [89078GBEPR](#) [89078GBESR](#) [9150700000](#) [SF4011-60101](#) [1671](#) [1855-54](#) [1996901-1](#) [2079844-1](#) [2193](#) [2518](#) [H-118-1](#) [BACC47CN2S](#) [LF9Z-1SB22](#) [WMLX-109](#) [364202K01V167](#) [ELXA051G1](#) [2547](#) [1453315-11](#) [71-452350-8S](#) [71-572965-8S](#) [75-69214-7J](#) [75-69811-3S](#) [H373247-15](#) [81517301](#) [P954-1](#) [860099-1](#) [1189-90](#) [1106352-2](#) [5D0515-20S REV A](#) [M39014/01-1570](#) [30809-700](#) [6024](#) [734032001](#) [197-007](#) [BRKT-ND](#) [197-003](#)