

## Silicon Standard Recovery Diode

$V_{RRM} = 1600\text{ V} - 2000\text{ V}$

$I_F = 380\text{ A}$

### Features

- High Surge Capability
- Types from 1600 V to 2000 V  $V_{RRM}$
- Not ESD Sensitive

### Note:

1. Standard polarity: Stud is cathode.
2. Reverse polarity (R): Stud is anode.
3. Stud is base.

DO-9 Package



### Maximum ratings, at $T_j = 25\text{ °C}$ , unless otherwise specified ("R" devices have leads reversed)

| Parameter  | Symbol     | Conditions                                   | S380Y (R)  | S380Z (R)  | Unit |
|--|------------|--|------------|------------|------|
| Repetitive peak reverse voltage                      | $V_{RRM}$  |  | 1600       | 2000       | V    |
| RMS reverse voltage                                  | $V_{RMS}$  |  | 1131       | 1414       | V    |
| DC blocking voltage                                  | $V_{DC}$   |  | 1600       | 2000       | V    |
| Continuous forward current                           | $I_F$      | $T_C \leq 100\text{ °C}$                     | 380        | 380        | A    |
| Surge non-repetitive forward current, Half Sine Wave | $I_{F,SM}$ | $T_C = 25\text{ °C}$ , $t_p = 8.3\text{ ms}$ | 6335       | 6335       | A    |
| Operating temperature                                | $T_j$      |  | -55 to 150 | -55 to 150 | °C   |
| Storage temperature                                  | $T_{stg}$  |  | -55 to 150 | -55 to 150 | °C   |

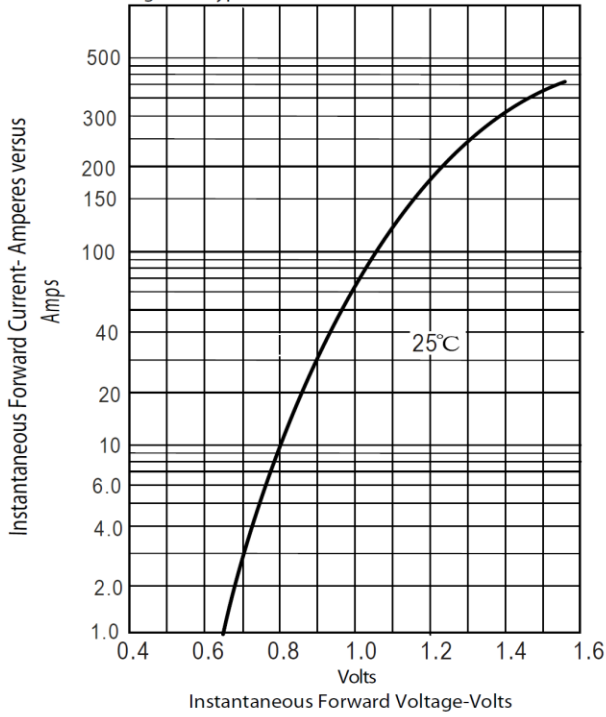
### Electrical characteristics, at $T_j = 25\text{ °C}$ , unless otherwise specified

| Parameter             | Symbol | Conditions                                    | S380Y (R) | S380Z (R) | Unit          |
|-----------------------|--------|---|-----------|-----------|---------------|
| Diode forward voltage | $V_F$  | $I_F = 380\text{ A}$ , $T_j = 25\text{ °C}$   | 1.2       | 1.2       | V             |
| Reverse current       | $I_R$  | $V_R = 1600\text{ V}$ , $T_j = 25\text{ °C}$  | 10        | 10        | $\mu\text{A}$ |
|                       |        | $V_R = 1600\text{ V}$ , $T_j = 175\text{ °C}$ | 12        | 12        | mA            |

### Thermal characteristics

|                                     |            |  |      |      |      |
|-------------------------------------|------------|--|------|------|------|
| Thermal resistance, junction - case | $R_{thJC}$ |  | 0.16 | 0.16 | °C/W |
|-------------------------------------|------------|--|------|------|------|

Figure.1-Typical Forward Characteristics



Figur.2-Forward Derating Curve

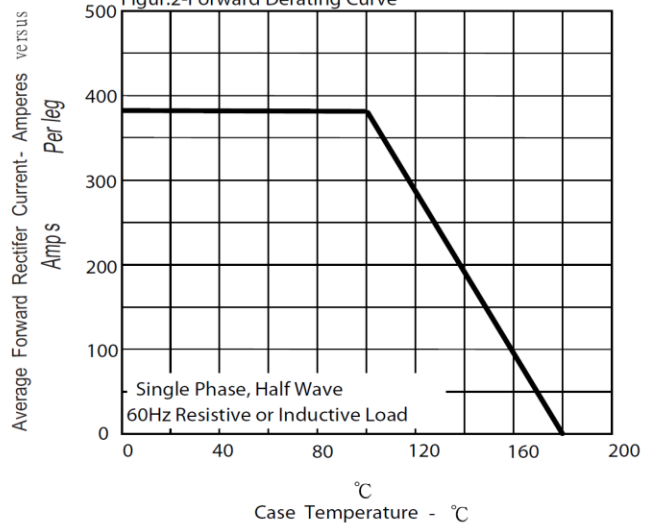


Figure.4-Typical Reverse Characteristics

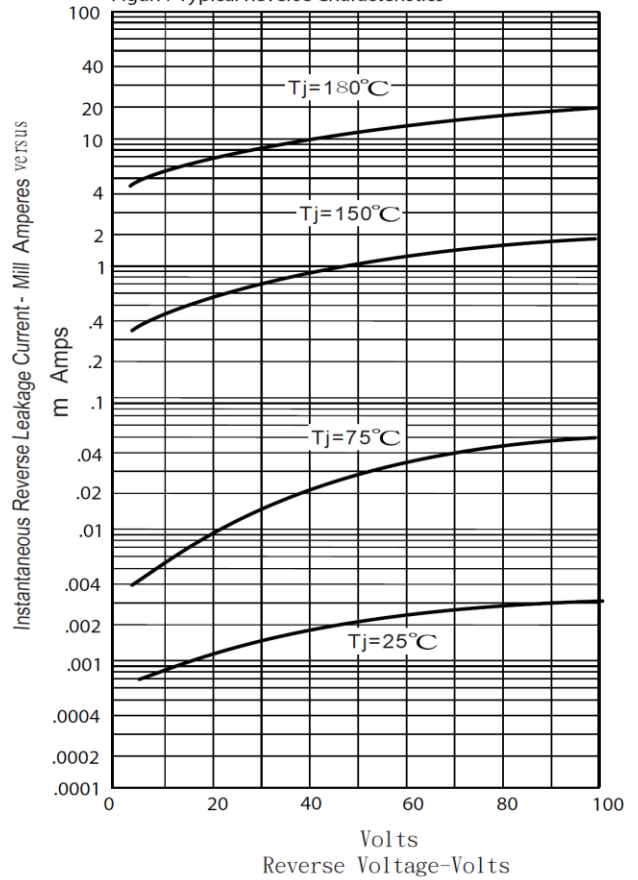
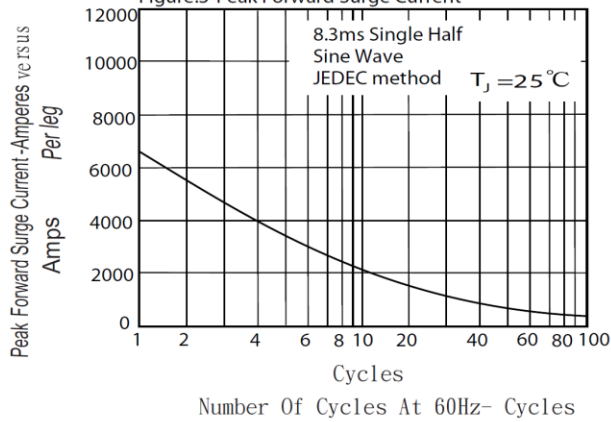
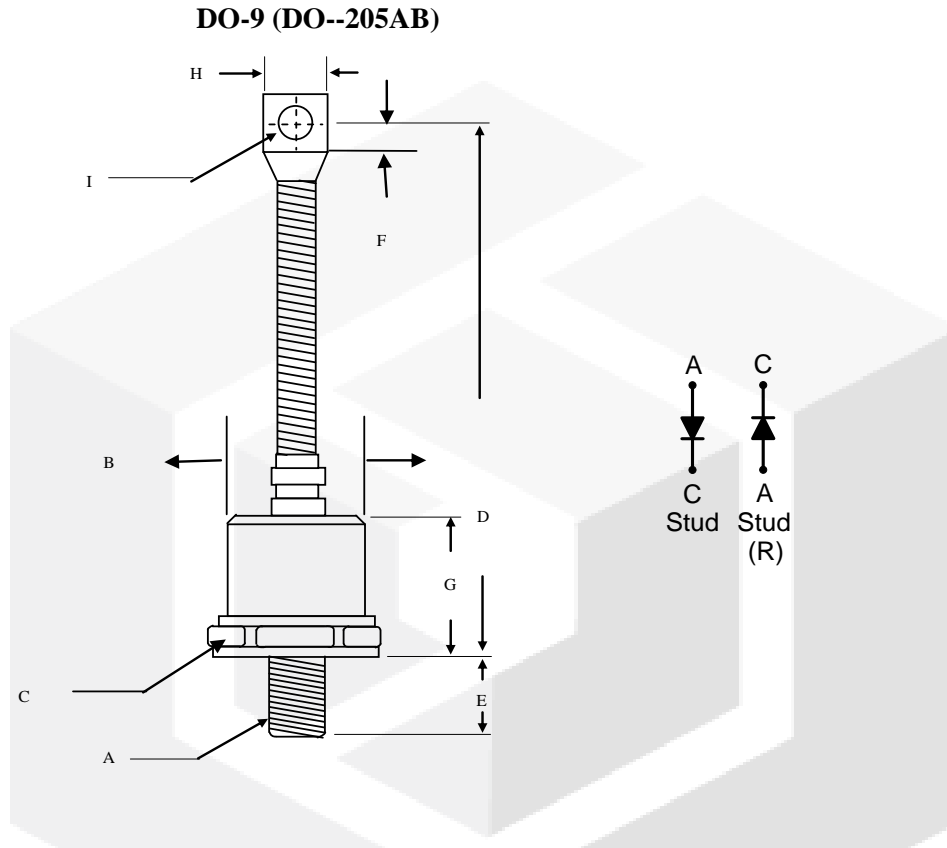


Figure.3-Peak Forward Surge Current



**Package dimensions and terminal configuration**

Product is marked with part number and terminal configuration.



|   | Inches       |       | Millimeters |       |
|---|--------------|-------|-------------|-------|
|   | Min          | Max   | Min         | Max   |
| A | 3/4 - 16 UNF |       |             |       |
| B | -----        | 1.10  | -----       | 27.94 |
| C | 1.24         | 1.25  | 31.5        | 31.90 |
| D | -----        | 7.48  | -----       | 190.0 |
| E | 0.78         | 0.828 | 19.60       | 21.03 |
| F | 0.470        | 0.530 | 11.94       | 13.46 |
| G | -----        | 1.122 | -----       | 28.5  |
| H | -----        | 0.787 | -----       | 20.0  |
| I | 0.330        | 0.350 | 8.38        | 8.89  |

## X-ON Electronics

Largest Supplier of Electrical and Electronic Components

*Click to view similar products for [Rectifiers](#) category:*

*Click to view products by [GeneSiC Semiconductor](#) manufacturer:*

Other Similar products are found below :

[70HFR40](#) [RL252-TP](#) [150KR30A](#) [1N5397](#) [SCF5000](#) [1N4002G](#) [1N4005-TR](#) [JANS1N6640US](#) [VS-80-7161](#) [481235F](#) [RRE02VS6SGTR](#)  
[067907F](#) [MS306](#) [70HF40](#) [T85HFL60S02](#) [VS-88-4031](#) [VS-66-9903](#) [US2JFL-TP](#) [A1N5404G-G](#) [ACGRA4007-HF](#) [ACGRB207-HF](#)  
[CLH03\(TE16L,Q\)](#) [ACGRC307-HF](#) [ACEFC304-HF](#) [85HFR60](#) [40HFR60](#) [VS-88-7272PBF](#) [70HF120](#) [85HFR80](#) [D126A45C](#) [SCF7500](#)  
[D251N08B](#) [SCHJ22.5K](#) [SM100](#) [SCPA2](#) [SCH10000](#) [SDHD5K](#) [VS-12FL100S10](#) [ACGRA4001-HF](#) [D1821SH45T PR](#) [D1251S45T](#)  
[SKN300/16](#) [SKN 5/08](#) [TSD3G](#) [SET130312](#) [MSE07PBHM3/89A](#) [UES1106](#) [NTE6010](#) [JANTX1N5196](#) [SCHS15000](#)