

## Silicon Standard Recovery Diode

$V_{RRM} = 1600\text{ V} - 2000\text{ V}$

$I_F = 380\text{ A}$

### Features

- High Surge Capability
- Types from 1600 V to 2000 V  $V_{RRM}$
- Not ESD Sensitive

### Note:

1. Standard polarity: Stud is cathode.
2. Reverse polarity (R): Stud is anode.
3. Stud is base.

DO-9 Package



### Maximum ratings, at $T_j = 25\text{ °C}$ , unless otherwise specified ("R" devices have leads reversed)

Parameter	Symbol	Conditions	S380Y (R)	S380Z (R)	Unit
Repetitive peak reverse voltage	$V_{RRM}$		1600	2000	V
RMS reverse voltage	$V_{RMS}$		1131	1414	V
DC blocking voltage	$V_{DC}$		1600	2000	V
Continuous forward current	$I_F$	$T_C \leq 100\text{ °C}$	380	380	A
Surge non-repetitive forward current, Half Sine Wave	$I_{F,SM}$	$T_C = 25\text{ °C}$ , $t_p = 8.3\text{ ms}$	6335	6335	A
Operating temperature	$T_j$		-55 to 150	-55 to 150	°C
Storage temperature	$T_{stg}$		-55 to 150	-55 to 150	°C

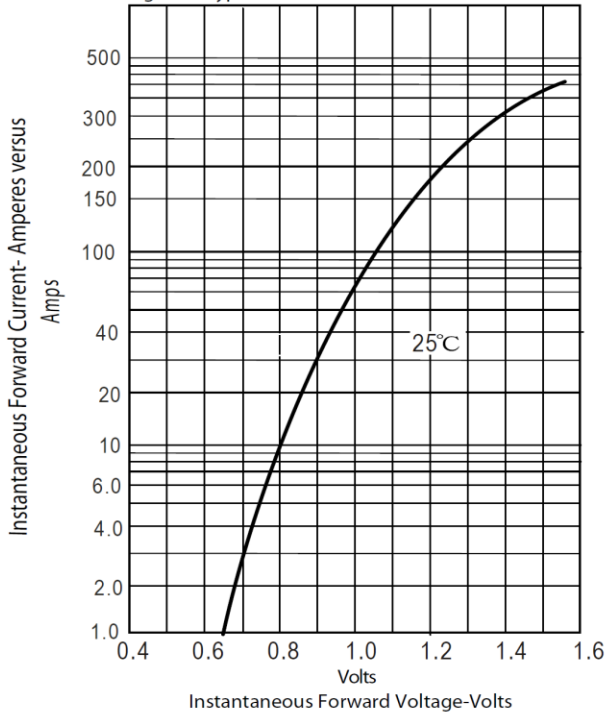
### Electrical characteristics, at $T_j = 25\text{ °C}$ , unless otherwise specified

Parameter	Symbol	Conditions	S380Y (R)	S380Z (R)	Unit
Diode forward voltage	$V_F$	$I_F = 380\text{ A}$ , $T_j = 25\text{ °C}$	1.2	1.2	V
Reverse current	$I_R$	$V_R = 1600\text{ V}$ , $T_j = 25\text{ °C}$	10	10	$\mu\text{A}$
		$V_R = 1600\text{ V}$ , $T_j = 175\text{ °C}$	12	12	mA

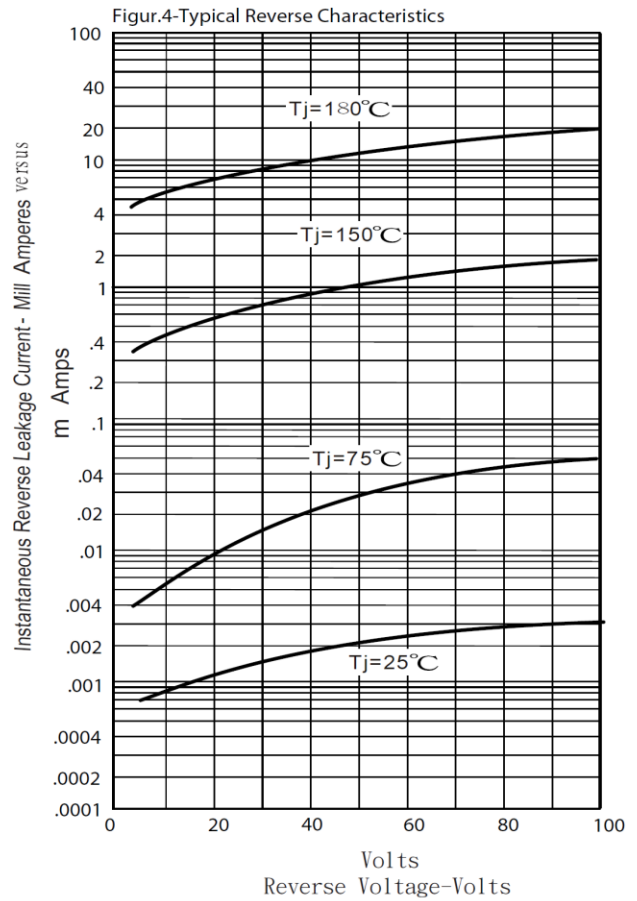
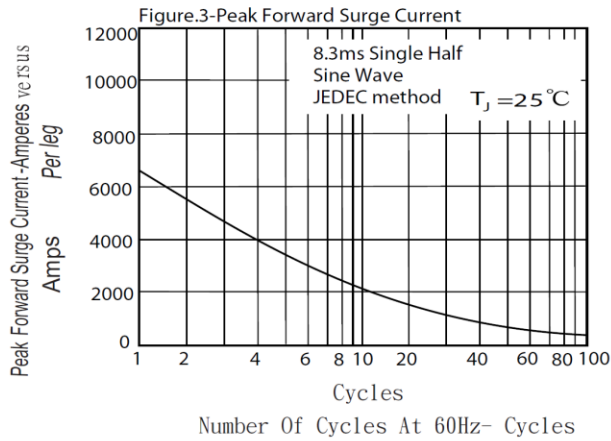
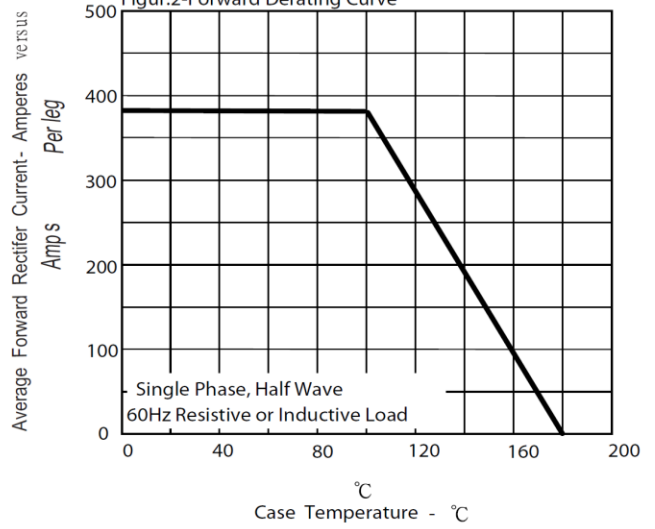
### Thermal characteristics

Thermal resistance, junction - case	$R_{thJC}$		0.16	0.16	°C/W
-------------------------------------	------------	--	------	------	------

Figure.1-Typical Forward Characteristics

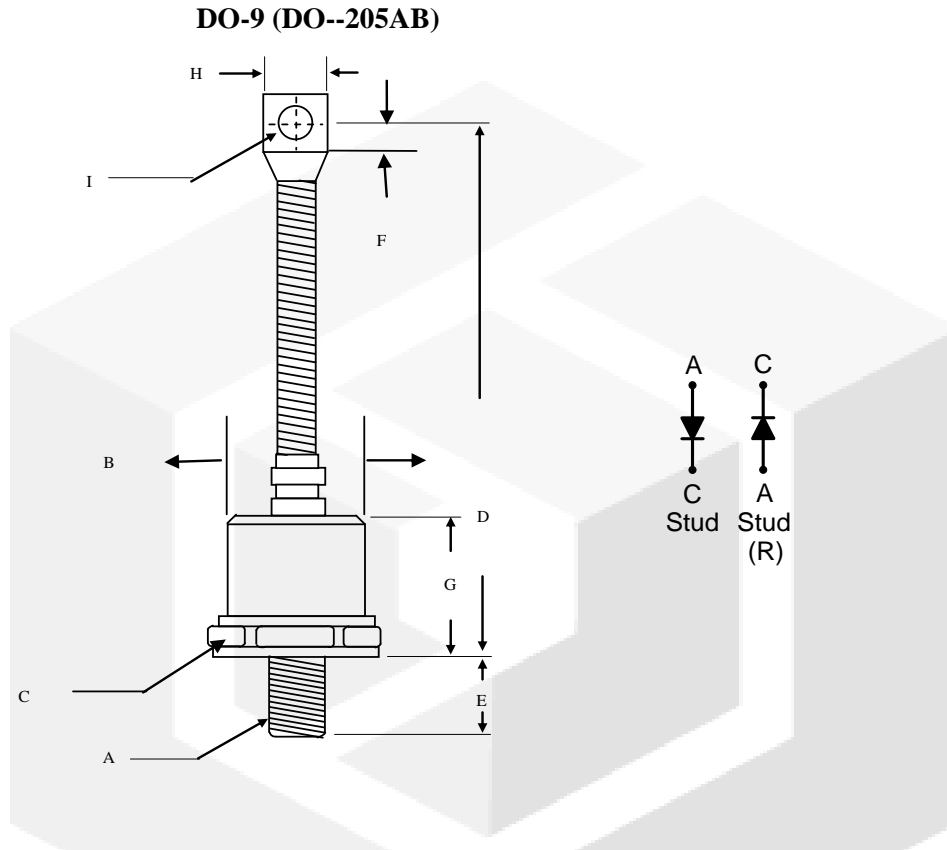


Figur.2-Forward Derating Curve



**Package dimensions and terminal configuration**

Product is marked with part number and terminal configuration.



	Inches		Millimeters	
	Min	Max	Min	Max
A	3/4 - 16 UNF			
B	-----	1.10	-----	27.94
C	1.24	1.25	31.5	31.90
D	-----	7.48	-----	190.0
E	0.78	0.828	19.60	21.03
F	0.470	0.530	11.94	13.46
G	-----	1.122	-----	28.5
H	-----	0.787	-----	20.0
I	0.330	0.350	8.38	8.89

## X-ON Electronics

Largest Supplier of Electrical and Electronic Components

*Click to view similar products for [Rectifiers](#) category:*

*Click to view products by [GeneSiC Semiconductor](#) manufacturer:*

Other Similar products are found below :

[70HFR40](#) [RL252-TP](#) [150KR30A](#) [1N5397](#) [SCF5000](#) [1N4002G](#) [1N4005-TR](#) [JANS1N6640US](#) [VS-80-7161](#) [481235F](#) [RRE02VS6SGTR](#)  
[067907F](#) [MS306](#) [70HF40](#) [T85HFL60S02](#) [VS-88-4031](#) [VS-66-9903](#) [US2JFL-TP](#) [A1N5404G-G](#) [ACGRA4007-HF](#) [ACGRB207-HF](#)  
[CLH03\(Te16L,Q\)](#) [ACGRC307-HF](#) [ACEFC304-HF](#) [85HFR60](#) [40HFR60](#) [VS-88-7272PBF](#) [70HF120](#) [85HFR80](#) [D126A45C](#) [SCF7500](#)  
[D251N08B](#) [SCHJ22.5K](#) [SM100](#) [SCPA2](#) [SCH10000](#) [SDHD5K](#) [VS-12FL100S10](#) [ACGRA4001-HF](#) [D1821SH45T PR](#) [D1251S45T](#)  
[SKN300/16](#) [SKN 5/08](#) [TSD3G](#) [SET130312](#) [MSE07PBHM3/89A](#) [UES1106](#) [NTE6010](#) [JANTX1N5196](#) [SCHS15000](#)