

## Product Data Sheet

### 4XX Series Std

Replace "XX" with 01 through 12 for number of poles

**Terminal Block – Closed Back**  
30 Amps, 600 Volts (AC/DC) with  
unprepared wire

or

65 Amps, 600 Volts AC/DC when wired  
with Listed crimp type ring, spade or  
fork terminal



#### Copper Wire Only

Wire Range with Wire Binding Screw: #10 - #12 AWG (unprepared wire)

Application torque: 20 in. lbs

11/16" Centers

#### Electrical Ratings:

- 30A with unprepared wire, (Based on NEC Table 310-16, 75°C columns)
- 65A with listed lug
- 600 Volts AC/DC (UL 1059 Class C, User Group - General Industrial)
- Short Circuit Current Rating: 10,000A (Default)
- Approved for Factory and Field Wiring.

NOTE: Use outside these ratings must be judged in end-use application

#### Mechanical Ratings:

- Insulator base temperature rating: -40°C/F to 150°C (302°F) UL RTI
- Flammability rating of insulator base: UL 94V-0

#### Materials:

- Connector (Contact): Brass, tin plated.
- Insulator base: Phenolic
- Drive screw (Rivet): Stainless steel
- Screw, #10-32 Binder head, Phil-Slot: Steel, nickel plated

#### Agency Approvals:

- UL Recognized, UL 1059 Terminal Block Standard, File No. XCFR2.E62806
- CSA Certified, CSA C22.2 No. 158, File No. LR19766
- CE compliant, IEC 60947-7-1
- RoHS Compliant

**Wire Range:**

Wire Size	Torque	Copper Wire Stranding Classes - Number of Conductors		
		Solid	Class B	Class C
10	20 in. lbs	1	1	1
12	20 in. lbs	1	1	1
14	20 in. lbs	1	1	1
16	20 in. lbs	1	1	1
18	20 in. lbs	1	1	1
20	20 in. lbs	1	1	1
22	20 in. lbs	1	1	1

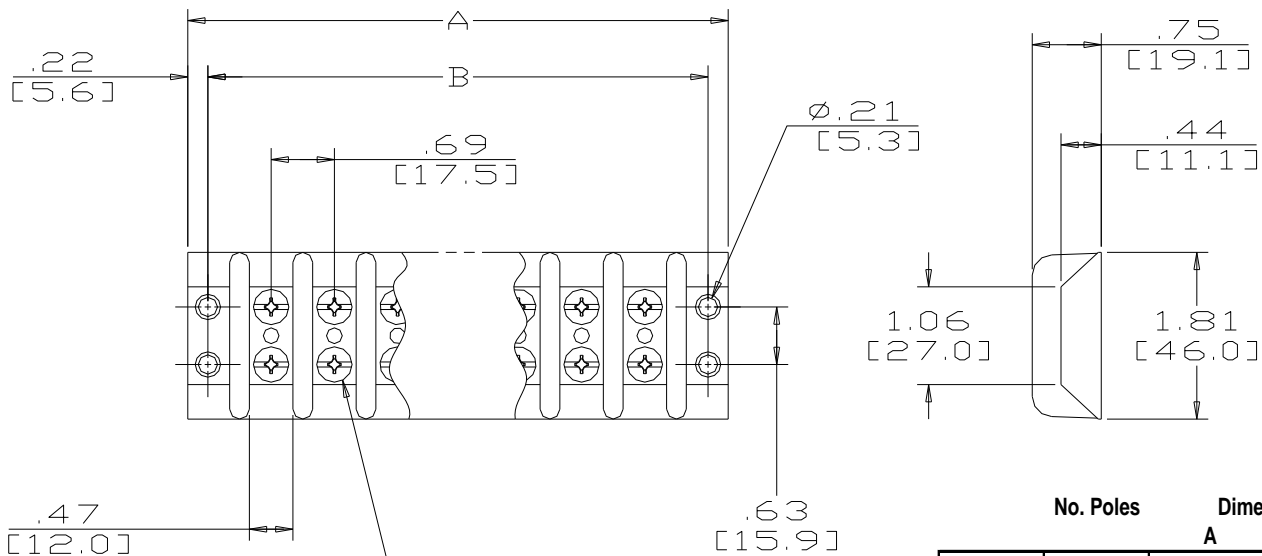
**Mounting:**

Suggested product mounting hardware: #8 fastener, torque to 15-20 in. lbs.

**Accessories:**

• Printing: for printing options, see Terminal Block Printing  
<http://marathonsp.com/CatalogPDFs/TBPrinting.pdf>

- Phil-Slot Brass Screw (PSB)
- Line to Line Jumper (LL400) or (J603)
- Phil-Slot Brass Screw (PSB)



#10-32 X .38 [9.5]  
 BD HD SCREW

No. Poles		Dimensions	
		A	B
401	1	1.81	1.38
402	2	2.50	2.06
403	3	3.19	2.75
404	4	3.88	3.44
405	5	4.56	4.13
406	6	5.25	4.81
407	7	5.94	5.50
408	8	6.62	6.19
409	9	7.31	6.87
410	10	8.00	7.56
411	11	8.68	8.25
412	12	9.37	8.94

[WWW.MARATHONSP.COM](http://WWW.MARATHONSP.COM)  
 (419) 352-8441

## X-ON Electronics

Largest Supplier of Electrical and Electronic Components

*Click to view similar products for [Film Capacitors](#) category:*

*Click to view products by [Genteq](#) manufacturer:*

Other Similar products are found below :

[F339X134748MIP2T0](#) [F450KG153J250ALH0J](#) [750-1018](#) [FKP1-1500160010P15](#) [FKP1R031007D00JYSD](#) [FKP1R031507E00JYSD](#)  
[FKP1U024707E00KYSD](#) [82DC4100CK60J](#) [82EC1100DQ50K](#) [PFR5101J100J11L16.5TA18](#) [PME261JB5220KR19T0](#) [A451GK223M040A](#)  
[A561ED221M450A](#) [QXJ2E474KTPT](#) [QXL2B333KTPT](#) [R49AN347000A1K](#) [EEC2G505HQA406](#) [B25668A6676A375](#) [B25673A4282E140](#)  
[BFC233868148](#) [BFC2370GC222](#) [C3B2AD44400B20K](#) [C4ASWBU3220A3EK](#) [CB027C0473J--](#) [CB177I0184J--](#) [CB182K0184J--](#) [23PW210](#)  
[950CQW5H-F](#) [SBDC3470AA10J](#) [SCD105K122A3-22](#) [2N3155](#) [A571EH331M450A](#) [FKP1-2202KV5P15](#) [FKS3-680040010P10](#)  
[QXL2E473KTPT](#) [445450-1](#) [B25669A3996J375](#) [46KI322000M1M](#) [46KR415050M1K](#) [4BSNBX4100ZBFJ](#) [MKP383510063JKP2T0](#)  
[MKPY2-.02230020P15](#) [MKT 1813-368-015](#) [4055292001](#) [46KN410000N1K](#) [EEC2E106HQA405](#) [EEC2G205HQA402](#) [EEC2G805HQA415](#)  
[P409CP224M250AH470](#) [82EC2150DQ50K](#)