



GD25LQ40C/20C/10C/05C

DATASHEET



Contents

1	FEATURES	4
2	GENERAL DESCRIPTION	5
3	MEMORY ORGANIZATION	7
4	DEVICE OPERATION	10
5	DATA PROTECTION	11
6	STATUS REGISTER	16
7	COMMANDS DESCRIPTION	18
7.1	WRITE ENABLE (WREN) (06H)	22
7.2	WRITE DISABLE (WRDI) (04H)	22
7.3	WRITE ENABLE FOR VOLATILE STATUS REGISTER (50H)	22
7.4	READ STATUS REGISTER (RDSR) (05H OR 35H)	23
7.5	WRITE STATUS REGISTER (WRSR) (01H)	23
7.6	READ DATA BYTES (READ) (03H)	24
7.7	READ DATA BYTES AT HIGHER SPEED (FAST READ) (0BH)	24
7.8	DUAL OUTPUT FAST READ (3BH)	25
7.9	QUAD OUTPUT FAST READ (6BH)	26
7.10	DUAL I/O FAST READ (BBH)	26
7.11	QUAD I/O FAST READ (EBH)	28
7.12	SET BURST WITH WRAP (77H)	29
7.13	PAGE PROGRAM (PP) (02H)	30
7.14	QUAD PAGE PROGRAM (32H)	31
7.15	SECTOR ERASE (SE) (20H)	32
7.16	32KB BLOCK ERASE (BE) (52H)	32
7.17	64KB BLOCK ERASE (BE) (D8H)	32
7.18	CHIP ERASE (CE) (60/C7H)	33
7.19	ENABLE/DISABLE SO TO OUTPUT RY/BY# (ESRY/DSRY) (70H/80H)	33
7.20	DEEP POWER-DOWN (DP) (B9H)	34
7.21	RELEASE FROM DEEP POWER-DOWN AND READ DEVICE ID (RDI) (ABH)	35
7.22	READ MANUFACTURE ID/ DEVICE ID (REMS) (90H)	36
7.23	READ MANUFACTURE ID/ DEVICE ID DUAL I/O (92H)	37
7.24	READ MANUFACTURE ID/ DEVICE ID QUAD I/O (94H)	38
7.25	READ IDENTIFICATION (RDID) (9FH)	39
7.26	READ UNIQUE ID (4BH)	40
7.27	PROGRAM/ERASE SUSPEND (PES) (75H)	40
7.28	PROGRAM/ERASE RESUME (PER) (7AH)	41
7.29	ERASE SECURITY REGISTERS (44H)	41
7.30	PROGRAM SECURITY REGISTERS (42H)	42
7.31	READ SECURITY REGISTERS (48H)	42
7.32	ENABLE RESET (66H) AND RESET (99H)	43



7.33	READ SERIAL FLASH DISCOVERABLE PARAMETER (5AH).....	44
8	ELECTRICAL CHARACTERISTICS	49
8.1	POWER-ON TIMING	49
8.2	INITIAL DELIVERY STATE	49
8.3	ABSOLUTE MAXIMUM RATINGS.....	49
8.4	CAPACITANCE MEASUREMENT CONDITIONS.....	50
8.5	DC CHARACTERISTICS.....	51
8.6	AC CHARACTERISTICS.....	54
9	ORDERING INFORMATION.....	61
9.1	VALID PART NUMBERS	62
10	PACKAGE INFORMATION	67
10.1	PACKAGE SOP8 150MIL	67
10.2	PACKAGE SOP8 208MIL	68
10.3	PACKAGE VSOP8 150MIL	69
10.4	PACKAGE VSOP8 208MIL	70
10.5	PACKAGE TSSOP8 173MIL.....	71
10.6	PACKAGE USON8 (3*2MM, 0.45MM THICKNESS)	72
10.7	PACKAGE USON8 (3*3MM).....	73
10.8	PACKAGE USON8 (3*4MM).....	74
10.9	PACKAGE USON8 (4*4MM, 0.45MM THICKNESS)	75
10.10	PACKAGE WSON8 (6*5MM)	76
11	REVISION HISTORY	77



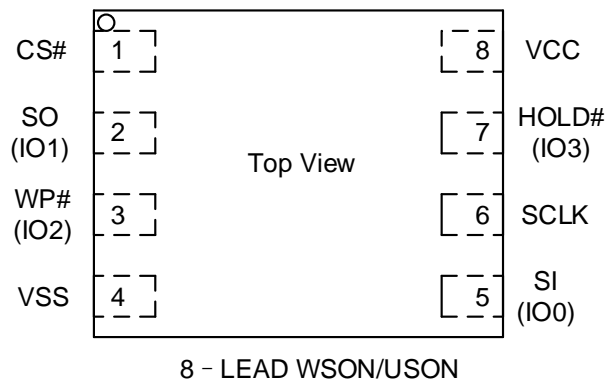
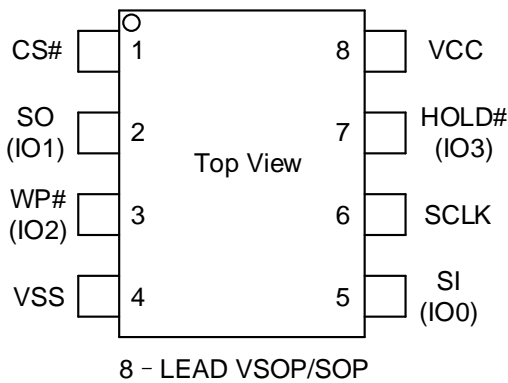
1 FEATURES

- ◆ 4M/2M/1M/512K-bit Serial Flash
 - 512K/256K/128K/64K-byte
 - 256 bytes per programmable page
- ◆ Standard, Dual, Quad SPI
 - Standard SPI: SCLK, CS#, SI, SO, WP#, HOLD#
 - Dual SPI: SCLK, CS#, IO0, IO1, WP#, HOLD#
 - Quad SPI: SCLK, CS#, IO0, IO1, IO2, IO3
- ◆ High Speed Clock Frequency
 - 104MHz for fast read with 30PF load
 - Dual I/O Data transfer up to 208Mbits/s
 - Quad I/O Data transfer up to 416Mbits/s
- ◆ Allows XIP (execute in place) Operation
 - Continuous Read With 8/16/32/64-byte Wrap
- ◆ Software/Hardware Write Protection
 - Write protect all/portion of memory via software
 - Enable/Disable protection with WP# Pin
 - Top/Bottom Block protection
- ◆ Minimum 100,000 Program/Erase Cycles
- ◆ Fast Program/Erase Speed
 - Page Program time: 0.7ms typical
 - Sector Erase time: 40ms typical
 - Block Erase time: 0.15/0.18s typical
 - Chip Erase time: 1.25/0.8/0.4s/0.2s typical
- ◆ Flexible Architecture
 - Uniform Sector of 4K-byte
 - Uniform Block of 32/64K-byte
 - Erase/Program Suspend/Resume
- ◆ Low Power Consumption
 - 1uA typical deep power down current
 - 9uA typical standby current
- ◆ Advanced security Features
 - 128-bit Unique ID
 - 3*512-Byte Security Registers With OTP Lock
- ◆ Single Power Supply Voltage
 - Full voltage range: 1.65~2.1V
- ◆ Data Retention
 - 20-year data retention typical

2 GENERAL DESCRIPTION

The GD25LQ40C/20C/10C/05C (4M/2M/1M/512K-bit) Serial flash supports the standard Serial Peripheral Interface (SPI), and supports the Dual/Quad SPI: Serial Clock, Chip Select, Serial Data I/O0 (SI), I/O1 (SO), I/O2 (WP#), and I/O3 (HOLD#). The Dual I/O data is transferred with speed of 208Mbits/s, the Quad I/O & Quad output data is transferred with speed of 416Mbits/s.

CONNECTION DIAGRAM



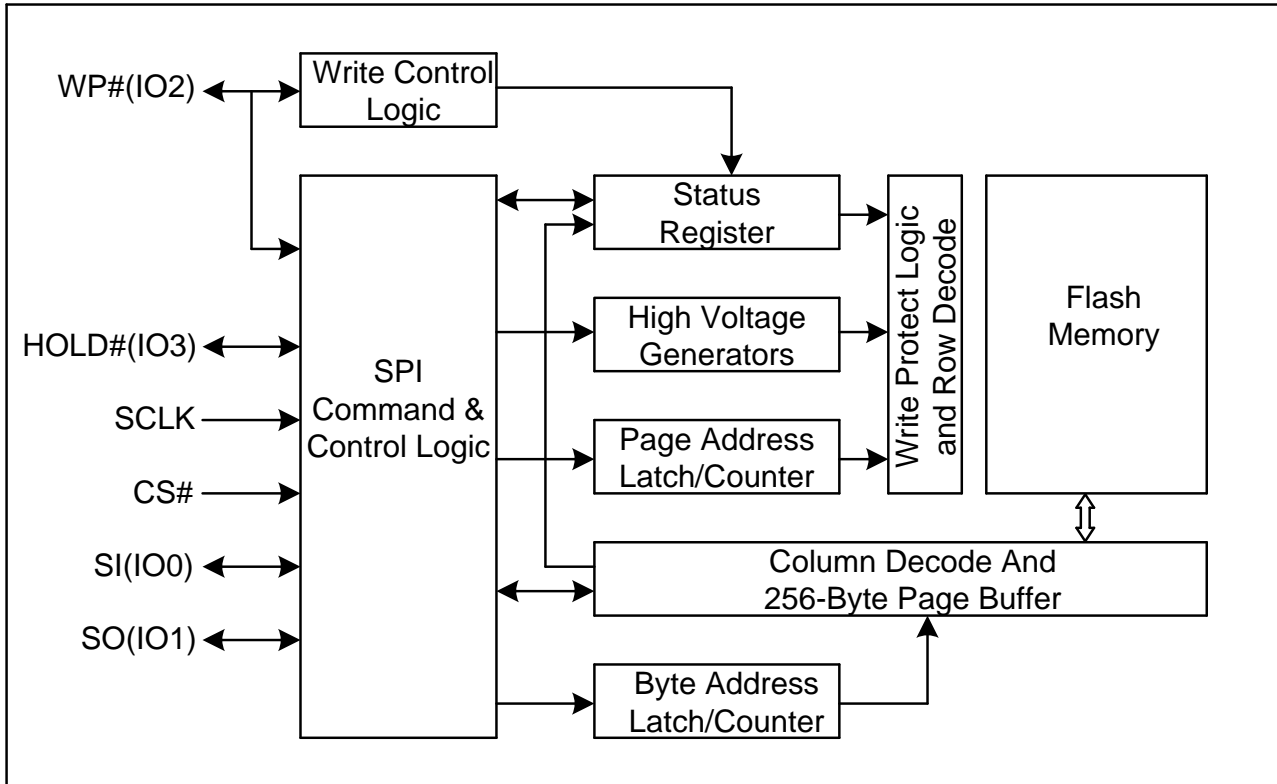
PIN DESCRIPTION

Pin Name	I/O	Description
CS#	I	Chip Select Input
SO (IO1)	I/O	Data Output (Data Input Output 1)
WP# (IO2)	I/O	Write Protect Input (Data Input Output 2)
VSS		Ground
SI (IO0)	I/O	Data Input (Data Input Output 0)
SCLK	I	Serial Clock Input
HOLD# (IO3)	I/O	Hold Input (Data Input Output 3)
VCC		Power Supply

Note: CS# must be driven high if chip is not selected. Please don't leave CS# floating any time after power is on.



BLOCK DIAGRAM





3 MEMORY ORGANIZATION

GD25LQ40C

Each device has	Each block has	Each sector has	Each page has	
512K	64/32K	4K	256	bytes
2K	256/128	16	-	pages
128	16/8	-	-	sectors
8/16	-	-	-	blocks

GD25LQ20C

Each device has	Each block has	Each sector has	Each page has	
256K	64/32K	4K	256	bytes
1K	256/128	16	-	pages
64	16/8	-	-	sectors
4/8	-	-	-	blocks

GD25LQ10C

Each device has	Each block has	Each sector has	Each page has	
128K	64/32K	4K	256	bytes
512	256/128	16	-	pages
32	16/8	-	-	sectors
2/4	-	-	-	blocks

GD25LQ05C

Each device has	Each block has	Each sector has	Each page has	
64K	64/32K	4K	256	bytes
256	256/128	16	-	pages
16	16/8	-	-	sectors
1/2	-	-	-	blocks



UNIFORM BLOCK SECTOR ARCHITECTURE

GD25LQ40C 64K Bytes Block Sector Architecture

Block	Sector	Address range	
7	127	07F000H	07FFFFH

	112	070000H	070FFFH
6	111	06F000H	06FFFFH

	96	060000H	060FFFH
.....

.....

2	47	02F000H	02FFFFH

	32	020000H	020FFFH
1	31	01F000H	01FFFFH

	16	010000H	010FFFH
0	15	00F000H	00FFFFH

	0	000000H	000FFFH

GD25LQ20C 64K Bytes Block Sector Architecture

Block	Sector	Address range	
3	63	03F000H	03FFFFH

	48	030000H	030FFFH
2	47	02F000H	02FFFFH

	32	020000H	020FFFH
1	31	01F000H	01FFFFH

	16	010000H	010FFFH
0	15	00F000H	00FFFFH

	0	000000H	000FFFH



GD25LQ10C 64K Bytes Block Sector Architecture

Block	Sector	Address range	
1	31	01F000H	01FFFFH

	16	010000H	010FFFFH
0	15	00F000H	00FFFFH

	0	000000H	000FFFFH

GD25LQ05C 64K Bytes Block Sector Architecture

Block	Sector	Address range	
0	15	00F000H	00FFFFH

	0	000000H	000FFFFH

4 DEVICE OPERATION

SPI Mode

Standard SPI

The GD25LQ40C/20C/10C/05C features a serial peripheral interface on 4 signals bus: Serial Clock (SCLK), Chip Select (CS#), Serial Data Input (SI) and Serial Data Output (SO). Both SPI bus mode 0 and 3 are supported. Input data is latched on the rising edge of SCLK and data shifts out on the falling edge of SCLK.

Dual SPI

The GD25LQ40C/20C/10C/05C supports Dual SPI operation when using the “Dual Output Fast Read” and “Dual I/O Fast Read” (3BH and BBH) commands. These commands allow data to be transferred to or from the device at twice the rate of the standard SPI. When using the Dual SPI command the SI and SO pins become bidirectional I/O pins: IO0 and IO1.

Quad SPI

The GD25LQ40C/20C/10C/05C supports Quad SPI operation when using the “Quad Output Fast Read” (6BH),” Quad I/O Fast Read” (EBH) commands. These commands allow data to be transferred to or from the device at four times the rate of the standard SPI. When using the Quad SPI command the SI and SO pins become bidirectional I/O pins: IO0 and IO1, and WP# and HOLD# pins become IO2 and IO3. Quad SPI commands require the non-volatile Quad Enable bit (QE) in Status Register to be set.

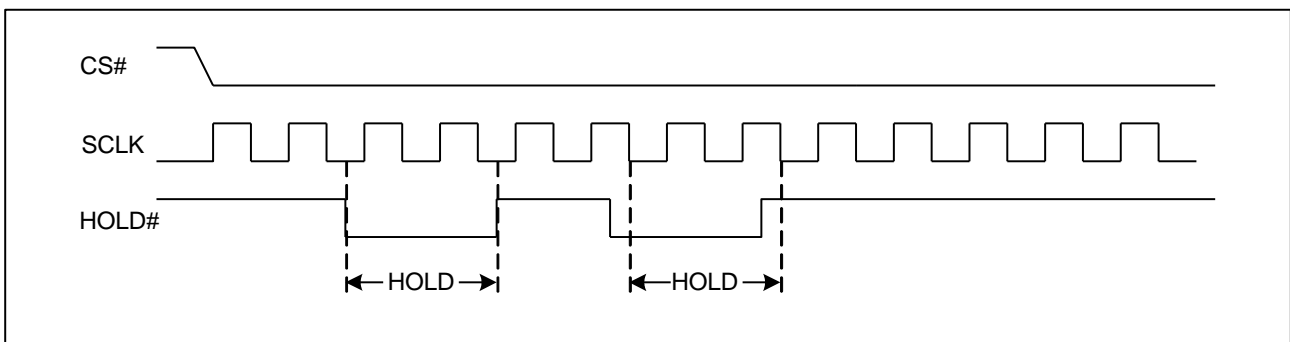
Hold

The HOLD# signal goes low to stop any serial communications with the device, but doesn't stop the operation of write status register, programming, or erasing in progress.

The operation of HOLD, need CS# keep low, and starts on falling edge of the HOLD# signal, with SCLK signal being low (if SCLK is not being low, HOLD operation will not start until SCLK being low). The HOLD condition ends on rising edge of HOLD# signal with SCLK being low (If SCLK is not being low, HOLD operation will not end until SCLK being low).

The SO is high impedance, both SI and SCLK don't care during the HOLD operation, if CS# drives high during HOLD operation, it will reset the internal logic of the device. To re-start communication with chip, the HOLD# must be at high and then CS# must be at low.

Figure1. Hold Condition



5 Data Protection

The GD25LQ40C/20C/10C/05C provide the following data protection methods:

- ◆ Write Enable (WREN) command: The WREN command is set the Write Enable Latch bit (WEL). The WEL bit will return to reset by the following situation:
 - Power-Up/-Software reset (66H+99H)
 - Write Disable (WRDI)
 - Write Status Register (WRSR)
 - Page Program (PP)
 - Sector Erase (SE) / Block Erase (BE) / Chip Erase (CE)
- ◆ Software Protection Mode: The Block Protect (BP4, BP3, BP2, BP1, and BP0) bits define the section of the memory array that can be read but not change.
- ◆ Hardware Protection Mode: WP# goes low to protect the BP0~BP4 bits and SRP0~1 bits.
- ◆ Deep Power-Down Mode: In Deep Power-Down Mode, all commands are ignored except the Release from Deep Power-Down Mode command and software reset (66H+99H).

Table1. GD25LQ40C Protected area size (CMP=0)

Status Register Content					Memory Content			
BP4	BP3	BP2	BP1	BP0	Blocks	Addresses	Density	Portion
X	X	0	0	0	NONE	NONE	NONE	NONE
0	0	0	0	1	7	070000H-07FFFFH	64KB	Upper 1/8
0	0	0	1	0	6 and 7	060000H-07FFFFH	128KB	Upper 1/4
0	0	0	1	1	4 to 7	040000H-07FFFFH	256KB	Upper 1/2
0	1	0	0	1	0	000000H-00FFFFH	64KB	Lower 1/8
0	1	0	1	0	0 and 1	000000H-01FFFFH	128KB	Lower 1/4
0	1	0	1	1	0 to 3	000000H-03FFFFH	256KB	Lower 1/2
0	X	1	X	X	0 to 7	000000H-07FFFFH	512KB	ALL
1	0	0	0	1	7	07F000H-07FFFFH	4KB	Top Block
1	0	0	1	0	7	07E000H-07FFFFH	8KB	Top Block
1	0	0	1	1	7	07C000H-07FFFFH	16KB	Top Block
1	0	1	0	X	7	078000H-07FFFFH	32KB	Top Block
1	0	1	1	0	7	078000H-07FFFFH	32KB	Top Block
1	1	0	0	1	0	000000H-000FFFH	4KB	Bottom Block
1	1	0	1	0	0	000000H-001FFFH	8KB	Bottom Block
1	1	0	1	1	0	000000H-003FFFH	16KB	Bottom Block
1	1	1	0	X	0	000000H-007FFFH	32KB	Bottom Block
1	1	1	1	0	0	000000H-007FFFH	32KB	Bottom Block
1	X	1	1	1	0 to 7	000000H-07FFFFH	512KB	ALL



Table1a. GD25LQ40C Protected area size (CMP=1)

Status Register Content					Memory Content			
BP4	BP3	BP2	BP1	BP0	Blocks	Addresses	Density	Portion
X	X	0	0	0	0 to 7	000000H-07FFFFH	512KB	ALL
0	0	0	0	1	0 to 6	000000H-06FFFFH	448KB	Lower 7/8
0	0	0	1	0	0 to 5	000000H-05FFFFH	384KB	Lower 3/4
0	0	0	1	1	0 to 3	000000H-03FFFFH	256KB	Lower 1/2
0	1	0	0	1	1 to 7	010000H-07FFFFH	448KB	Upper 7/8
0	1	0	1	0	2 to 7	020000H-07FFFFH	384KB	Upper 3/4
0	1	0	1	1	4 to 7	040000H-07FFFFH	256KB	Upper 1/2
0	X	1	X	X	NONE	NONE	NONE	NONE
1	0	0	0	1	0 to 7	000000H-07EFFFFH	508KB	Lower 127/128
1	0	0	1	0	0 to 7	000000H-07DFFFFH	504KB	Lower 63/64
1	0	0	1	1	0 to 7	000000H-07BFFFFH	496KB	Lower 31/32
1	0	1	0	X	0 to 7	000000H-077FFFFH	480KB	Lower 15/16
1	0	1	1	0	0 to 7	000000H-077FFFFH	480KB	Lower 15/16
1	1	0	0	1	0 to 7	001000H-07FFFFH	508KB	Upper 127/128
1	1	0	1	0	0 to 7	002000H-07FFFFH	504KB	Upper 63/64
1	1	0	1	1	0 to 7	004000H-07FFFFH	496KB	Upper 31/32
1	1	1	0	X	0 to 7	008000H-07FFFFH	480KB	Upper 15/16
1	1	1	1	0	0 to 7	008000H-07FFFFH	480KB	Upper 15/16
1	X	1	1	1	NONE	NONE	NONE	NONE

Table2. GD25LQ20C Protected area size (CMP=0)

Status Register Content					Memory Content			
BP4	BP3	BP2	BP1	BP0	Blocks	Addresses	Density	Portion
0	X	X	0	0	NONE	NONE	NONE	NONE
0	0	X	0	1	3	030000H-03FFFFH	64KB	Upper 1/4
0	0	X	1	0	2 and 3	020000H-03FFFFH	128KB	Upper 1/2
0	1	X	0	1	0	000000H-00FFFFH	64KB	Lower 1/4
0	1	X	1	0	0 and 1	000000H-01FFFFH	128KB	Lower 1/2
0	X	X	1	1	0 to 3	000000H-03FFFFH	256KB	ALL
1	X	0	0	0	NONE	NONE	NONE	NONE
1	0	0	0	1	3	03F000H-03FFFFH	4KB	Upper 1/64
1	0	0	1	0	3	03E000H-03FFFFH	8KB	Upper 1/32
1	0	0	1	1	3	03C000H-03FFFFH	16KB	Upper 1/16
1	0	1	0	X	3	038000H-03FFFFH	32KB	Upper 1/8
1	0	1	1	0	3	038000H-03FFFFH	32KB	Upper 1/8
1	1	0	0	1	0	000000H-000FFFFH	4KB	Lower 1/64
1	1	0	1	0	0	000000H-001FFFFH	8KB	Lower 1/32
1	1	0	1	1	0	000000H-003FFFFH	16KB	Lower 1/16
1	1	1	0	X	0	000000H-007FFFFH	32KB	Lower 1/8



**1.8V Uniform Sector
Dual and Quad Serial Flash**

GD25LQ40C/20C/10C/05C

1	1	1	1	0	0	000000H-007FFFH	32KB	Lower 1/8
1	X	1	1	1	0 to 3	000000H-03FFFFH	256KB	ALL

Table2a. GD25LQ20C Protected area size (CMP=1)

Status Register Content					Memory Content			
BP4	BP3	BP2	BP1	BP0	Blocks	Addresses	Density	Portion
0	X	X	0	0	0 to 3	000000H-03FFFFH	256KB	ALL
0	0	X	0	1	0 to 2	000000H-02FFFFH	192KB	Lower 3/4
0	0	X	1	0	0 and 1	000000H-01FFFFH	128KB	Lower 1/2
0	1	X	0	1	1 to 3	010000H-03FFFFH	192KB	Upper 3/4
0	1	X	1	0	2 and 3	020000H-03FFFFH	128KB	Upper 1/2
0	X	X	1	1	NONE	NONE	NONE	NONE
1	X	0	0	0	0 to 3	000000H-03FFFFH	256KB	ALL
1	0	0	0	1	0 to 3	000000H-03EFFFH	252KB	Lower 63/64
1	0	0	1	0	0 to 3	000000H-03DFFFH	248KB	Lower 31/32
1	0	0	1	1	0 to 3	000000H-03BFFFH	240KB	Lower 15/16
1	0	1	0	X	0 to 3	000000H-037FFFH	224KB	Lower 7/8
1	0	1	1	0	0 to 3	000000H-037FFFH	224KB	Lower 7/8
1	1	0	0	1	0 to 3	001000H-03FFFFH	252KB	Upper 63/64
1	1	0	1	0	0 to 3	002000H-03FFFFH	248KB	Upper 31/32
1	1	0	1	1	0 to 3	004000H-03FFFFH	240KB	Upper 15/16
1	1	1	0	X	0 to 3	008000H-03FFFFH	224KB	Upper 7/8
1	1	1	1	0	0 to 3	008000H-03FFFFH	224KB	Upper 7/8
1	X	1	1	1	NONE	NONE	NONE	NONE



Table3. GD25LQ10C Protected area size (CMP=0)

Status Register Content					Memory Content			
BP4	BP3	BP2	BP1	BP0	Blocks	Addresses	Density	Portion
0	X	X	0	0	NONE	NONE	NONE	NONE
0	0	X	0	1	1	010000H-01FFFFH	64KB	Upper 1/2
0	1	X	0	1	0	000000H-00FFFFH	64KB	Lower 1/2
0	X	X	1	X	0 to 1	000000H-01FFFFH	128KB	ALL
1	X	0	0	0	NONE	NONE	NONE	NONE
1	0	0	0	1	1	01F000H-01FFFFH	4KB	Upper 1/32
1	0	0	1	0	1	01E000H-01FFFFH	8KB	Upper 1/16
1	0	0	1	1	1	01C000H-01FFFFH	16KB	Upper 1/8
1	0	1	0	X	1	018000H-01FFFFH	32KB	Upper 1/4
1	0	1	1	0	1	018000H-01FFFFH	32KB	Upper 1/4
1	1	0	0	1	0	000000H-000FFFH	4KB	Lower 1/32
1	1	0	1	0	0	000000H-001FFFH	8KB	Lower 1/16
1	1	0	1	1	0	000000H-003FFFH	16KB	Lower 1/8
1	1	1	0	X	0	000000H-007FFFH	32KB	Lower 1/4
1	1	1	1	0	0	000000H-007FFFH	32KB	Lower 1/4
1	X	1	1	1	0 to 1	000000H-01FFFFH	128KB	ALL

Table3a. GD25LQ10C Protected area size (CMP=1)

Status Register Content					Memory Content			
BP4	BP3	BP2	BP1	BP0	Blocks	Addresses	Density	Portion
0	X	X	0	0	0 to 1	000000H-01FFFFH	ALL	ALL
0	0	X	0	1	0	000000H-00FFFFH	64KB	Lower 1/2
0	1	X	0	1	1	010000H-01FFFFH	64KB	Upper 1/2
0	X	X	1	X	NONE	NONE	NONE	NONE
1	X	0	0	0	0 to 1	000000H-01FFFFH	128KB	ALL
1	0	0	0	1	0	000000H-01EFFFH	124KB	Lower 31/32
1	0	0	1	0	0	000000H-01DFFFH	120KB	Lower 15/16
1	0	0	1	1	0	000000H-01BFFFH	112KB	Lower 7/8
1	0	1	0	X	0	000000H-017FFFH	96KB	Lower 3/4
1	0	1	1	0	0	000000H-017FFFH	96KB	Lower 3/4
1	1	0	0	1	1	001000H-01FFFFH	124KB	Upper 31/32
1	1	0	1	0	1	002000H-01FFFFH	120KB	Upper 15/16
1	1	0	1	1	1	004000H-01FFFFH	112KB	Upper 7/8
1	1	1	0	X	1	008000H-01FFFFH	96KB	Upper 3/4
1	1	1	1	0	1	008000H-01FFFFH	96KB	Upper 3/4
1	X	1	1	1	NONE	NONE	NONE	NONE



Table4. GD25LQ05C Protected area size (CMP=0)

Status Register Content					Memory Content			
BP4	BP3	BP2	BP1	BP0	Blocks	Addresses	Density	Portion
0	X	X	0	0	NONE	NONE	NONE	NONE
0	X	X	0	1	0	000000H-00FFFFH	64KB	ALL
0	X	X	1	X	0	000000H-00FFFFH	64KB	ALL
1	X	0	0	0	NONE	NONE	NONE	NONE
1	0	0	0	1	0	00F000H-00FFFFH	4KB	Upper 1/16
1	0	0	1	0	0	00E000H-00FFFFH	8KB	Upper 1/8
1	0	0	1	1	0	00C000H-00FFFFH	16KB	Upper 1/4
1	0	1	0	X	0	008000H-00FFFFH	32KB	Upper 1/2
1	0	1	1	0	0	008000H-00FFFFH	32KB	Upper 1/2
1	1	0	0	1	0	000000H-000FFFH	4KB	Lower 1/16
1	1	0	1	0	0	000000H-001FFFH	8KB	Lower 1/8
1	1	0	1	1	0	000000H-003FFFH	16KB	Lower 1/4
1	1	1	0	X	0	000000H-007FFFH	32KB	Lower 1/2
1	1	1	1	0	0	000000H-007FFFH	32KB	Lower 1/2
1	X	1	1	1	0	000000H-00FFFFH	64KB	ALL

Table4a. GD25LQ05C Protected area size (CMP=1)

Status Register Content					Memory Content			
BP4	BP3	BP2	BP1	BP0	Blocks	Addresses	Density	Portion
0	X	X	0	0	0	000000H-00FFFFH	64KB	ALL
0	X	X	0	1	NONE	NONE	NONE	NONE
0	X	X	1	X	NONE	NONE	NONE	NONE
1	X	0	0	0	0	000000H-00FFFFH	64KB	ALL
1	0	0	0	1	0	000000H-00EFFFH	60KB	Lower 15/16
1	0	0	1	0	0	000000H-00DFFFH	56KB	Lower 7/8
1	0	0	1	1	0	000000H-00BFFFH	48KB	Lower 3/4
1	0	1	0	X	0	000000H-007FFFH	32KB	Lower 1/2
1	0	1	1	0	0	000000H-007FFFH	32KB	Lower 1/2
1	1	0	0	1	0	001000H-00FFFFH	60KB	Upper 15/16
1	1	0	1	0	0	002000H-00FFFFH	56KB	Upper 7/8
1	1	0	1	1	0	004000H-00FFFFH	48KB	Upper 3/4
1	1	1	0	X	0	008000H-00FFFFH	32KB	Upper 1/2
1	1	1	1	0	0	008000H-00FFFFH	32KB	Upper 1/2
1	X	1	1	1	NONE	NONE	NONE	NONE

6 Status Register

S15	S14	S13	S12	S11	S10	S9	S8
SUS1	CMP	LB3	LB2	LB1	SUS2	QE	SRP1

S7	S6	S5	S4	S3	S2	S1	S0
SRP0	BP4	BP3	BP2	BP1	BP0	WEL	WIP

The status and control bits of the Status Register are as follows:

WIP bit

The Write in Progress (WIP) bit indicates whether the memory is busy in program/erase/write status register progress. When WIP bit sets to 1, means the device is busy in program/erase/write status register progress, when WIP bit sets 0, means the device is not in program/erase/write status register progress.

WEL bit

The Write Enable Latch (WEL) bit indicates the status of the internal Write Enable Latch. When set to 1 the internal Write Enable Latch is set, when set to 0 the internal Write Enable Latch is reset and no Write Status Register, Program or Erase command is accepted.

BP4, BP3, BP2, BP1, BP0 bits

The Block Protect (BP4, BP3, BP2, BP1, and BP0) bits are non-volatile. They define the size of the area to be software protected against Program and Erase commands. These bits are written with the Write Status Register (WRSR) command. When the Block Protect (BP4, BP3, BP2, BP1, BP0) bits are set to 1, the relevant memory area (as defined in Table1, 2, 3 and 4).becomes protected against Page Program (PP), Sector Erase (SE) and Block Erase (BE) commands. The Block Protect (BP4, BP3, BP2, BP1, and BP0) bits can be written provided that the Hardware Protected mode has not been set. The Chip Erase (CE) command is executed, if the Block Protect (BP2, BP1, and BP0) bits are 0 and CMP=0 or the Block Protect (BP2, BP1, and BP0) bits are 1 and CMP=1.

SRP1, SRP0 bits

The Status Register Protect (SRP1 and SRP0) bits are non-volatile Read/Write bits in the status register. The SRP bits control the method of write protection: software protection, hardware protection, power supply lock-down or one time programmable protection.

SRP1	SRP0	#WP	Status Register	Description
0	0	X	Software Protected	The Status Register can be written to after a Write Enable command, WEL=1.(Default)
0	1	0	Hardware Protected	WP#=0, the Status Register locked and cannot be written to.
0	1	1	Hardware Unprotected	WP#=1, the Status Register is unlocked and can be written to after a Write Enable command, WEL=1.
1	0	X	Power Supply Lock-Down ⁽¹⁾⁽²⁾	Status Register is protected and cannot be written to again until the next Power-Down, Power-Up cycle.
1	1	X	One Time Program ⁽²⁾	Status Register is permanently protected and cannot be written to.

NOTE:

1. When SRP1, SRP0= (1, 0), a Power-Down, Power-Up cycle will change SRP1, SRP0 to (0, 0) state.
2. This feature is available on special order. Please contact GigaDevice for details.



QE bit

The Quad Enable (QE) bit is a non-volatile Read/Write bit in the Status Register that allows Quad operation. When the QE bit is set to 0 (Default) the WP# pin and HOLD# pin are enable. When the QE pin is set to 1, the Quad IO2 and IO3 pins are enabled. (It is best to set the QE bit to 0 to avoid short issues if the WP# or HOLD# pin is tied directly to the power supply or ground.)

LB3, LB2, LB1, bits

The LB3, LB2, LB1, bits are non-volatile One Time Program (OTP) bits in Status Register (S13-S11) that provide the write protect control and status to the Security Registers. The default state of LB3-LB1 are 0, the security registers are unlocked. The LB3-LB1 bits can be set to 1 individually using the Write Register instruction. The LB3-LB1 bits are One Time Programmable, once they are set to 1, the Security Registers will become read-only permanently.

CMP bit

The CMP bit is a non-volatile Read/Write bit in the Status Register (S14). It is used in conjunction with the BP4-BP0 bits to provide more flexibility for the array protection. Please see the Status registers Memory Protection tables for details. The default setting is CMP=0.

SUS1, SUS2 bit

The SUS1 and SUS2 bit are read only bit in the status register (S15 and S10) that are set to 1 after executing an Program/Erase Suspend (75H) command (The Erase Suspend will set the SUS1 to 1, and the Program Suspend will set the SUS2 to 1). The SUS1 and SUS2 bit are cleared to 0 by Program/Erase Resume (7AH) command as well as a power-down, power-up cycle.

7 COMMANDS DESCRIPTION

All commands, addresses and data are shifted in and out of the device, beginning with the most significant bit on the first rising edge of SCLK after CS# is driven low. Then, the one-byte command code must be shifted in to the device, with most significant bit first on SI, and each bit is latched on the rising edges of SCLK.

See Table5, every command sequence starts with a one-byte command code. Depending on the command, this might be followed by address bytes, or by data bytes, or by both or none. CS# must be driven high after the last bit of the command sequence has been completed. For the command of Read, Fast Read, Read Status Register or Release from Deep Power-Down, and Read Device ID, the shifted-in command sequence is followed by a data-out sequence. All read instruction can be completed after any bit of the data-out sequence is being shifted out, and then CS# must be driven high to return to deselected status.

For the command of Page Program, Sector Erase, Block Erase, Chip Erase, Write Status Register, Write Enable, Write Disable or Deep Power-Down command, CS# must be driven high exactly at a byte boundary, otherwise the command is rejected, and is not executed. That is CS# must be driven high when the number of clock pulses after CS# being driven low is an exact multiple of eight. For Page Program, if at any time the input byte is not a full byte, nothing will happen and WEL will not be reset.

Table5. Commands (Standard/Dual/Quad SPI)

Command Name	Byte 1	Byte 2	Byte 3	Byte 4	Byte 5	Byte 6	n-Bytes
Write Enable	06H						
Write Disable	04H						
Volatile SR Write Enable	50H						
Read Status Register	05H	(S7-S0)					(continuous)
Read Status Register-1	35H	(S15-S8)					(continuous)
Write Status Register	01H	S7-S0	S15-S8				
Read Data	03H	A23-A16	A15-A8	A7-A0	(D7-D0)	(Next byte)	(continuous)
Fast Read	0BH	A23-A16	A15-A8	A7-A0	dummy	(D7-D0)	(continuous)
Dual Output Fast Read	3BH	A23-A16	A15-A8	A7-A0	dummy	(D7-D0) ⁽¹⁾	(continuous)
Dual I/O Fast Read	BBH	A23-A8 ⁽²⁾	A7-A0 M7-M0 ⁽²⁾	(D7-D0) ⁽¹⁾			(continuous)
Quad Output Fast Read	6BH	A23-A16	A15-A8	A7-A0	Dummy	(D7-D0) ⁽³⁾	(continuous)
Quad I/O Fast Read	EBH	A23-A0 M7-M0 ⁽⁴⁾	dummy ⁽⁵⁾	(D7-D0) ⁽³⁾			(continuous)
Page Program	02H	A23-A16	A15-A8	A7-A0	D7-D0	Next byte	
Quad Page Program	32H	A23-A16	A15-A8	A7-A0	D7-D0		
Sector Erase	20H	A23-A16	A15-A8	A7-A0			
Block Erase(32K)	52H	A23-A16	A15-A8	A7-A0			
Block Erase(64K)	D8H	A23-A16	A15-A8	A7-A0			
Chip Erase	C7/60H						
Enable Reset	66H						



1.8V Uniform Sector Dual and Quad Serial Flash

GD25LQ40C/20C/10C/05C

Reset	99H						
Set Burst with Wrap	77H	W6-W4					
Program/Erase Suspend	75H						
Program/Erase Resume	7AH						
Enable SO to output RY/BY#	70H						
Disable SO to output RY/BY#	80H						
Deep Power-Down	B9H						
Release From Deep Power-Down, And Read Device ID	ABH	dummy	dummy	dummy	(ID7-ID0)		(continuous)
Release From Deep Power-Down	ABH						
Manufacturer/ Device ID	90H	dummy	dummy	00H	(M7-M0)	(ID7-ID0)	(continuous)
Manufacturer/ Device ID by Dual I/O	92H	A23-A8	A7-A0, M[7:0]	(M7-M0) (ID7-ID0)			(continuous)
Manufacturer/ Device ID by Quad I/O	94H	A23-A0, M[7:0]	dummy	(M7-M0) (ID7-ID0)			(continuous)
Read Serial Flash Discoverable Parameter	5AH	A23-A16	A15-A8	A7-A0	dummy	(D7-D0)	(continuous)
Read Identification	9FH	(M7-M0)	(ID15-ID8)	(ID7-ID0)			(continuous)
Read Unique ID	4BH	00H	00H	00H	dummy	(UID7- UID0)	(continuous)
Erase Security Registers ⁽⁶⁾	44H	A23-A16	A15-A8	A7-A0			
Program Security Registers ⁽⁶⁾	42H	A23-A16	A15-A8	A7-A0	D7-D0	D7-D0	
Read Security Registers ⁽⁶⁾	48H	A23-A16	A15-A8	A7-A0	dummy	D7-D0	

NOTE:

1. Dual Output data

IO0 = (D6, D4, D2, D0)

IO1 = (D7, D5, D3, D1)

2. Dual Input Address

IO0 = A22, A20, A18, A16, A14, A12, A10, A8 A6, A4, A2, A0, M6, M4, M2, M0

IO1 = A23, A21, A19, A17, A15, A13, A11, A9 A7, A5, A3, A1, M7, M5, M3, M1

3. Quad Output Data

IO0 = (D4, D0,)

IO1 = (D5, D1,)

IO2 = (D6, D2,)

IO3 = (D7, D3,)



4. Quad Input Address

IO0 = A20, A16, A12, A8, A4, A0, M4, M0

IO1 = A21, A17, A13, A9, A5, A1, M5, M1

IO2 = A22, A18, A14, A10, A6, A2, M6, M2

IO3 = A23, A19, A15, A11, A7, A3, M7, M3

5. Fast Read Quad I/O Data

IO0 = (x, x, x, x, D4, D0,...)

IO1 = (x, x, x, x, D5, D1,...)

IO2 = (x, x, x, x, D6, D2,...)

IO3 = (x, x, x, x, D7, D3,...)

6. Security Registers Address:

Security Register1: A23-A16=00H, A15-A9=0001000b, A8-A0= Byte Address;

Security Register2: A23-A16=00H, A15-A9=0010000b, A8-A0= Byte Address;

Security Register3: A23-A16=00H, A15-A9=0011000b, A8-A0= Byte Address.



TABLE OF ID DEFINITIONS

GD25LQ40C

Operation Code	M7-M0	ID15-ID8	ID7-ID0
9FH	C8	60	13
90H	C8		12
ABH			12

GD25LQ20C

Operation Code	M7-M0	ID15-ID8	ID7-ID0
9FH	C8	60	12
90H	C8		11
ABH			11

GD25LQ10C

Operation Code	M7-M0	ID15-ID8	ID7-ID0
9FH	C8	60	11
90H	C8		10
ABH			10

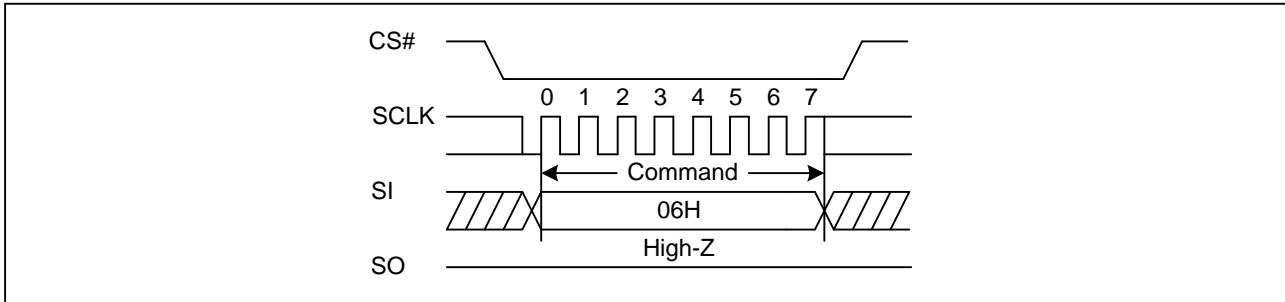
GD25LQ05C

Operation Code	M7-M0	ID15-ID8	ID7-ID0
9FH	C8	60	10
90H	C8		05
ABH			05

7.1 Write Enable (WREN) (06H)

The Write Enable (WREN) command is for setting the Write Enable Latch (WEL) bit. The Write Enable Latch (WEL) bit must be set prior to every Page Program (PP), Sector Erase (SE), Block Erase (BE), Chip Erase (CE), Write Status Register (WRSR) and Erase/Program Security Registers command. The Write Enable (WREN) command sequence: CS# goes low → sending the Write Enable command → CS# goes high.

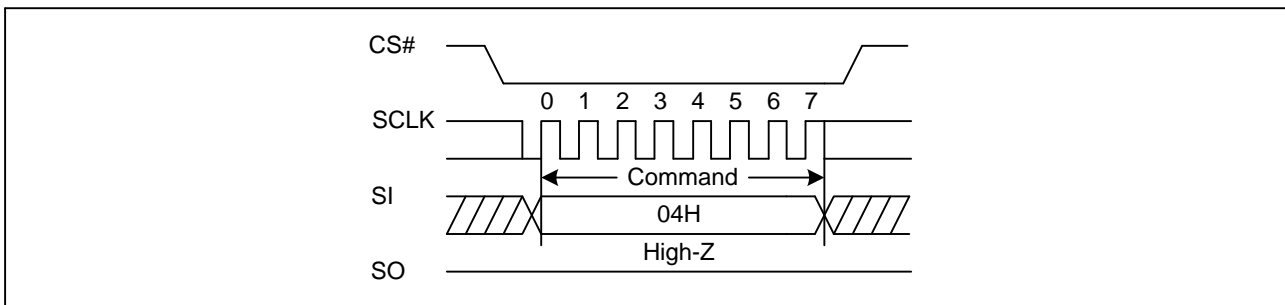
Figure2. Write Enable Sequence Diagram



7.2 Write Disable (WRDI) (04H)

The Write Disable command is for resetting the Write Enable Latch (WEL) bit. The Write Disable command sequence: CS# goes low → Sending the Write Disable command → CS# goes high. The WEL bit is reset by following condition: Power-up and upon completion of the Write Status Register, Page Program, Sector Erase, Block Erase, Chip Erase, Erase/Program Security Registers and Reset commands.

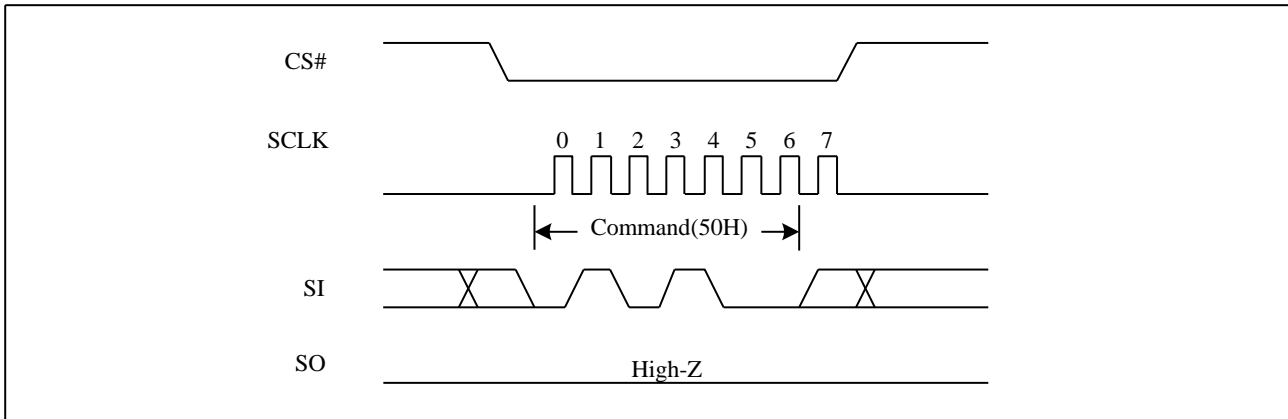
Figure3. Write Disable Sequence Diagram



7.3 Write Enable for Volatile Status Register (50H)

The non-volatile Status Register bits can also be written to as volatile bits. This gives more flexibility to change the system configuration and memory protection schemes quickly without waiting for the typical non-volatile bit write cycles or affecting the endurance of the Status Register non-volatile bits. The Write Enable for Volatile Status Register command must be issued prior to a Write Status Register command and any other commands can't be inserted between them. Otherwise, Write Enable for Volatile Status Register will be cleared. The Write Enable for Volatile Status Register command will not set the Write Enable Latch bit, it is only valid for the Write Status Register command to change the volatile Status Register bit values.

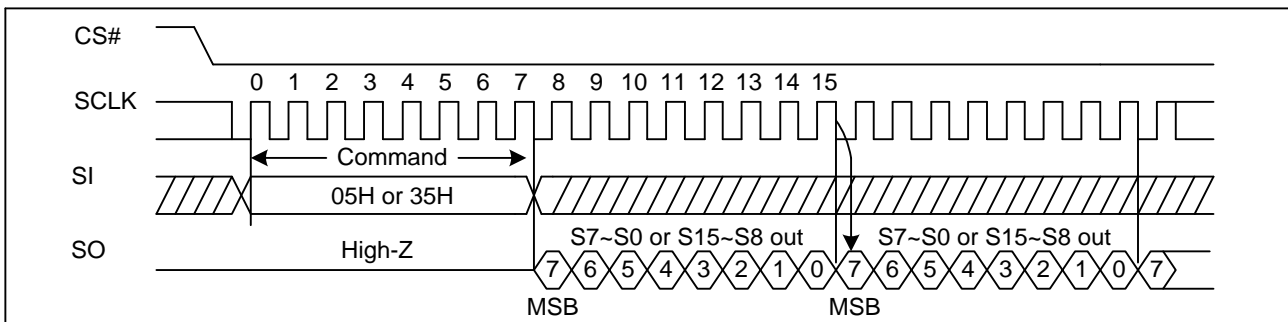
Figure4. Write Enable for Volatile Status Register Sequence Diagram



7.4 Read Status Register (RDSR) (05H or 35H)

The Read Status Register (RDSR) command is for reading the Status Register. The Status Register may be read at any time, even while a Program, Erase or Write Status Register cycle is in progress. When one of these cycles is in progress, it is recommended to check the Write in Progress (WIP) bit before sending a new command to the device. It is also possible to read the Status Register continuously. For command code “05H”, the SO will output Status Register bits S7~S0. The command code “35H”, the SO will output Status Register bits S15~S8.

Figure5. Read Status Register Sequence Diagram



7.5 Write Status Register (WRSR) (01H)

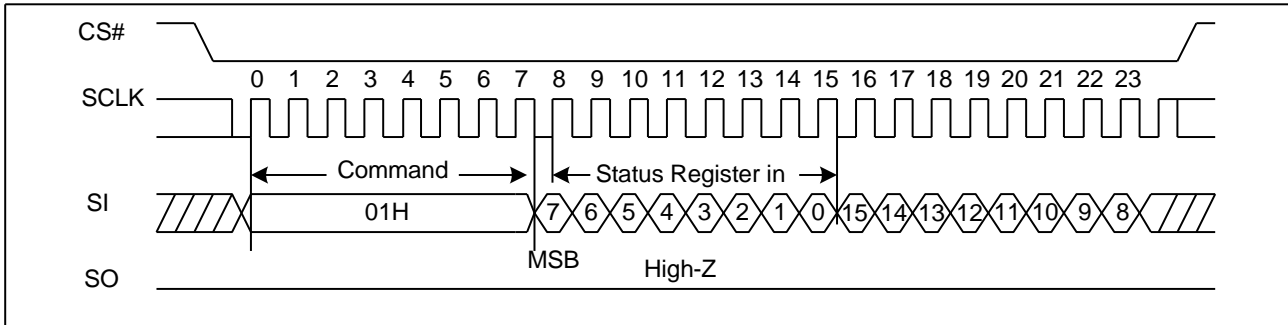
The Write Status Register (WRSR) command allows new values to be written to the Status Register. Before it can be accepted, a Write Enable (WREN) command must previously have been executed. After the Write Enable (WREN) command has been decoded and executed, the device sets the Write Enable Latch (WEL).

The Write Status Register (WRSR) command has no effect on S15, S10, S1 and S0 of the Status Register. CS# must be driven high after the eighth or sixteen bit of the data byte has been latched in. If not, the Write Status Register (WRSR) command is not executed. If CS# is driven high after eighth bit of the data byte, the CMP and QE and SRP1 bits will be cleared to 0. As soon as CS# is driven high, the self-timed Write Status Register cycle (whose duration is t_w) is initiated. While the Write Status Register cycle is in progress, the Status Register may still be read to check the value of the Write In Progress (WIP) bit. The Write In Progress (WIP) bit is 1 during the self-timed Write Status Register cycle, and is 0 when it is completed. When the cycle is completed, the Write Enable Latch (WEL) is reset.

The Write Status Register (WRSR) command allows the user to change the values of the Block Protect (BP4, BP3, BP2, BP1, and BP0) bits, to define the size of the area that is to be treated as read-only, as defined in Table 1-4. The Write Status

Register (WRSR) command also allows the user to set or reset the Status Register Protect (SRP1 and SRP0) bits in accordance with the Write Protect (WP#) signal. The Status Register Protect (SRP1 and SRP0) bits and Write Protect (WP#) signal allow the device to be put in the Hardware Protected Mode. The Write Status Register (WRSR) command is not executed once the Hardware Protected Mode is entered.

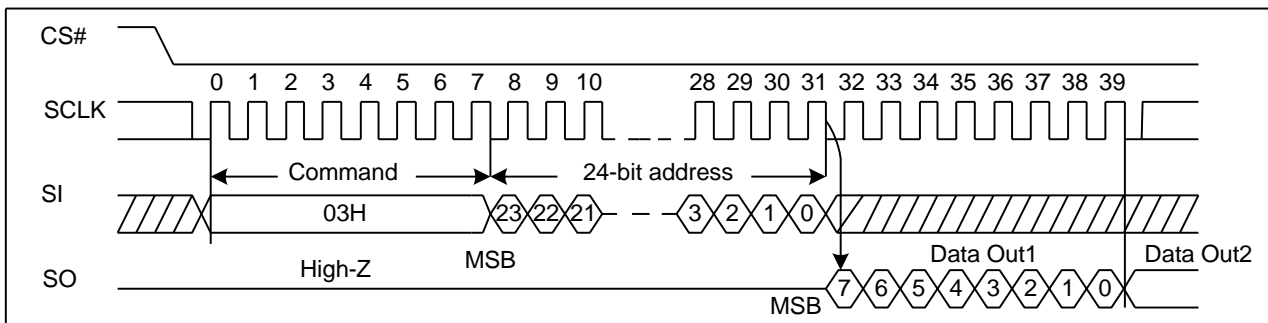
Figure6. Write Status Register Sequence Diagram



7.6 Read Data Bytes (READ) (03H)

The Read Data Bytes (READ) command is followed by a 3-byte address (A23-A0), and each bit is latched-in on the rising edge of SCLK. Then the memory content, at that address, is shifted out on SO, and each bit is shifted out, at a Max frequency f_R , on the falling edge of SCLK. The first byte addressed can be at any location. The address is automatically incremented to the next higher address after each byte of data is shifted out. The whole memory can, therefore, be read with a single Read Data Bytes (READ) command. Any Read Data Bytes (READ) command, while an Erase, Program or Write cycle is in progress, is rejected without having any effects on the cycle that is in progress.

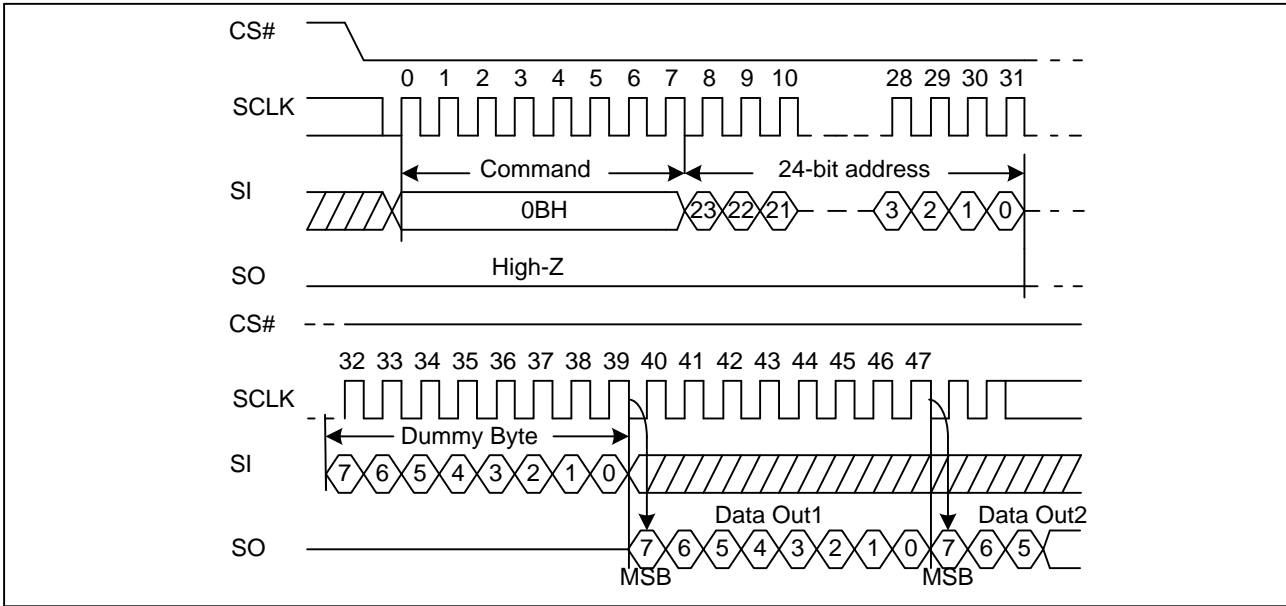
Figure7. Read Data Bytes Sequence Diagram



7.7 Read Data Bytes at Higher Speed (Fast Read) (0BH)

The Read Data Bytes at Higher Speed (Fast Read) command is for quickly reading data out. It is followed by a 3-byte address (A23-A0) and a dummy byte, and each bit is latched-in on the rising edge of SCLK. Then the memory content, at that address, is shifted out on SO, and each bit is shifted out, at a Max frequency f_c , on the falling edge of SCLK. The first byte addressed can be at any location. The address is automatically incremented to the next higher address after each byte of data is shifted out.

Figure8. Read Data Bytes at Higher Speed Sequence Diagram

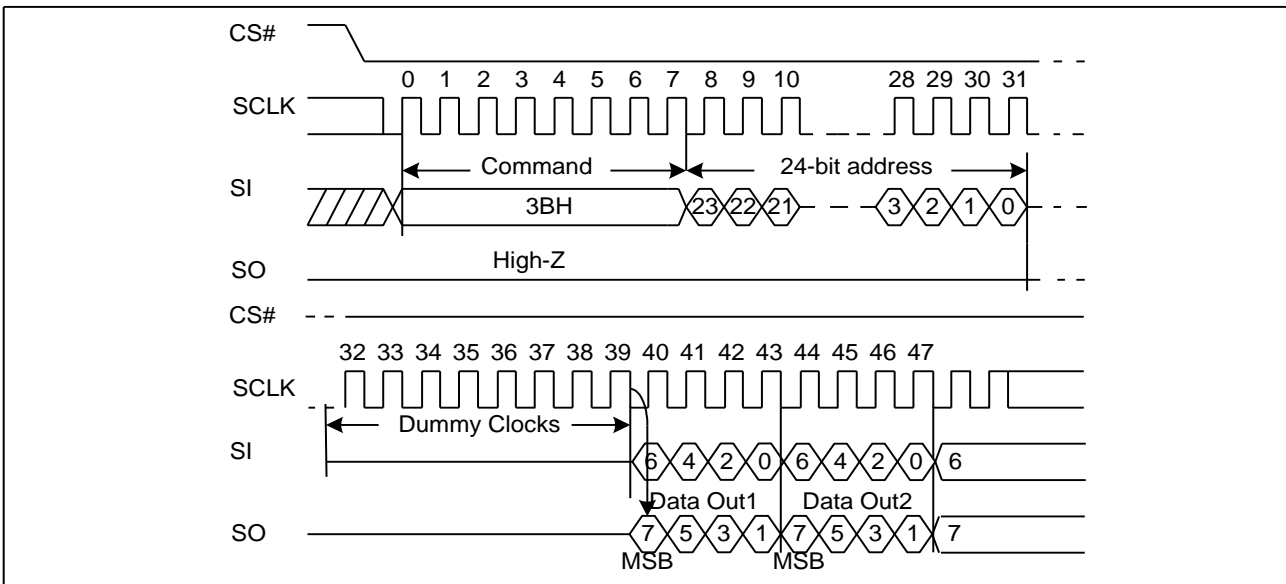


7.8 Dual Output Fast Read (3BH)

The Dual Output Fast Read command is followed by 3-byte address (A23-A0) and a dummy byte, and each bit is latched in on the rising edge of SCLK, then the memory contents are shifted out 2-bit per clock cycle from SI and SO.

The command sequence is shown in followed Figure9. The first byte addressed can be at any location. The address is automatically incremented to the next higher address after each byte of data is shifted out.

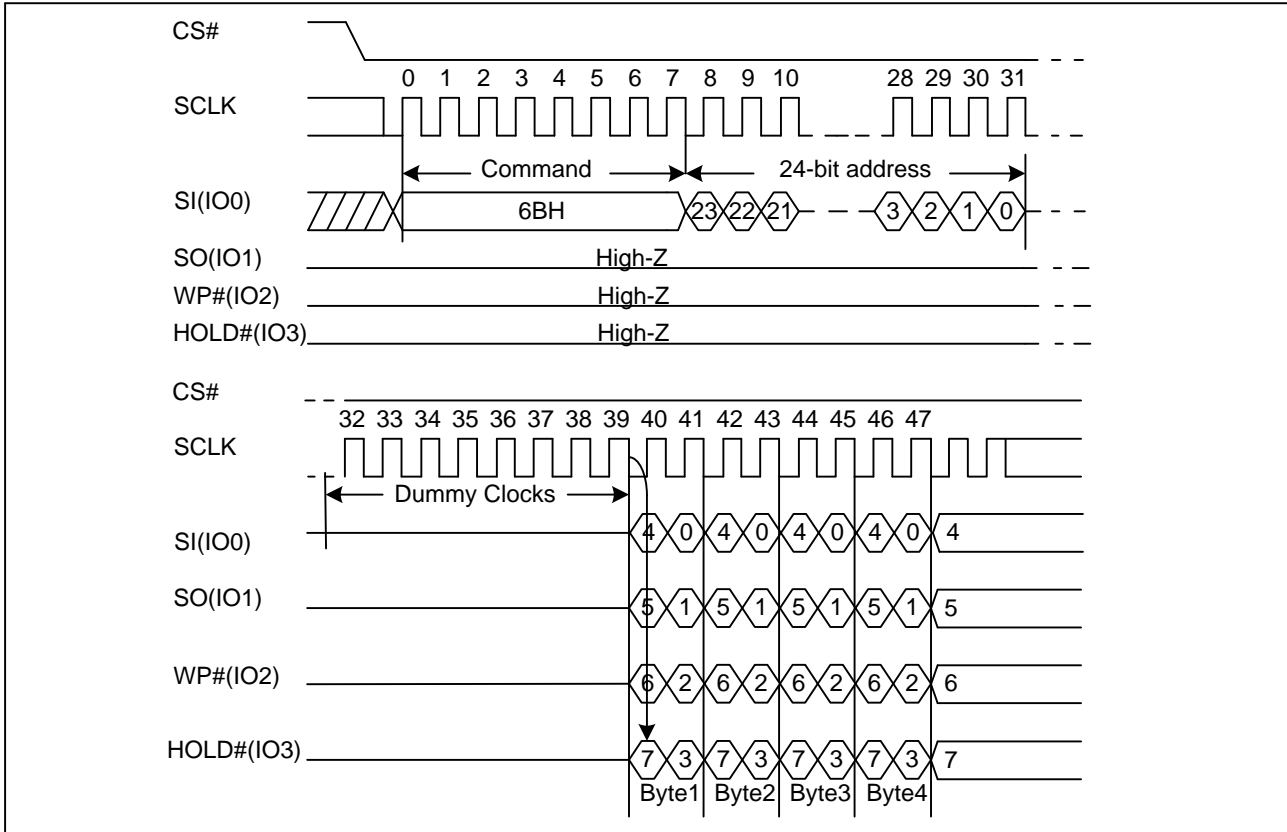
Figure9. Dual Output Fast Read Sequence Diagram



7.9 Quad Output Fast Read (6BH)

The Quad Output Fast Read command is followed by 3-byte address (A23-A0) and a dummy byte, and each bit is latched in on the rising edge of SCLK, then the memory contents are shifted out 4-bit per clock cycle from IO3, IO2, IO1 and IO0. The command sequence is shown in followed Figure10. The first byte addressed can be at any location. The address is automatically incremented to the next higher address after each byte of data is shifted out. The Quad Enable bit (QE) of Status Register (S9) must be set to enable for the Quad Output Fast Read command.

Figure10. Quad Output Fast Read Sequence Diagram



7.10 Dual I/O Fast Read (BBH)

The Dual I/O Fast Read command is similar to the Dual Output Fast Read command but with the capability to input the 3-byte address (A23-0) and a “Continuous Read Mode” byte 2-bit per clock by SI and SO, and each bit is latched in on the rising edge of SCLK, then the memory contents are shifted out 2-bit per clock cycle from SI and SO. The command sequence is shown in followed Figure11. The first byte addressed can be at any location. The address is automatically incremented to the next higher address after each byte of data is shifted out.

Dual I/O Fast Read with “Continuous Read Mode”

The Dual I/O Fast Read command can further reduce command overhead through setting the “Continuous Read Mode” bits (M7-0) after the input 3-byte address (A23-A0). If the “Continuous Read Mode” bits (M5-4) = (1, 0), then the next Dual I/O Fast Read command (after CS# is raised and then lowered) does not require the BBH command code. The command sequence is shown in followed Figure12. If the “Continuous Read Mode” bits (M5-4) do not equal (1, 0), the next command requires the command code, thus returning to normal operation. A “Continuous Read Mode” Reset command can be used to reset (M5-4) before issuing normal command.

Figure11. Dual I/O Fast Read Sequence Diagram (M5-4≠ (1, 0))

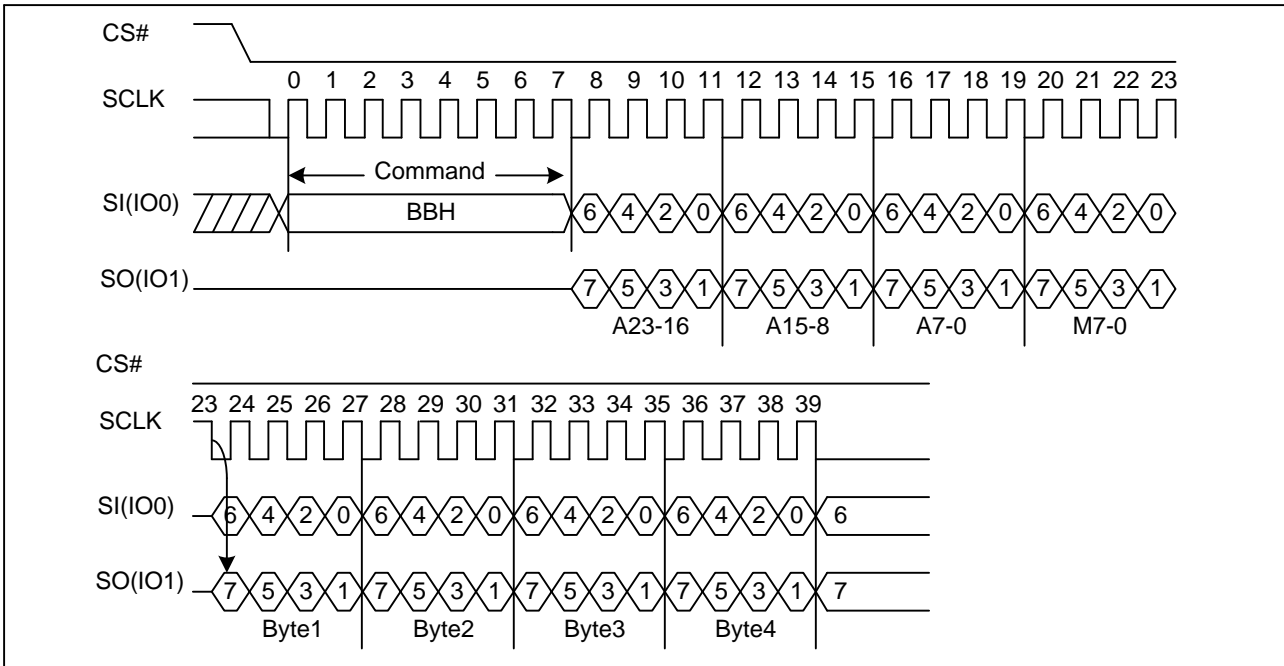
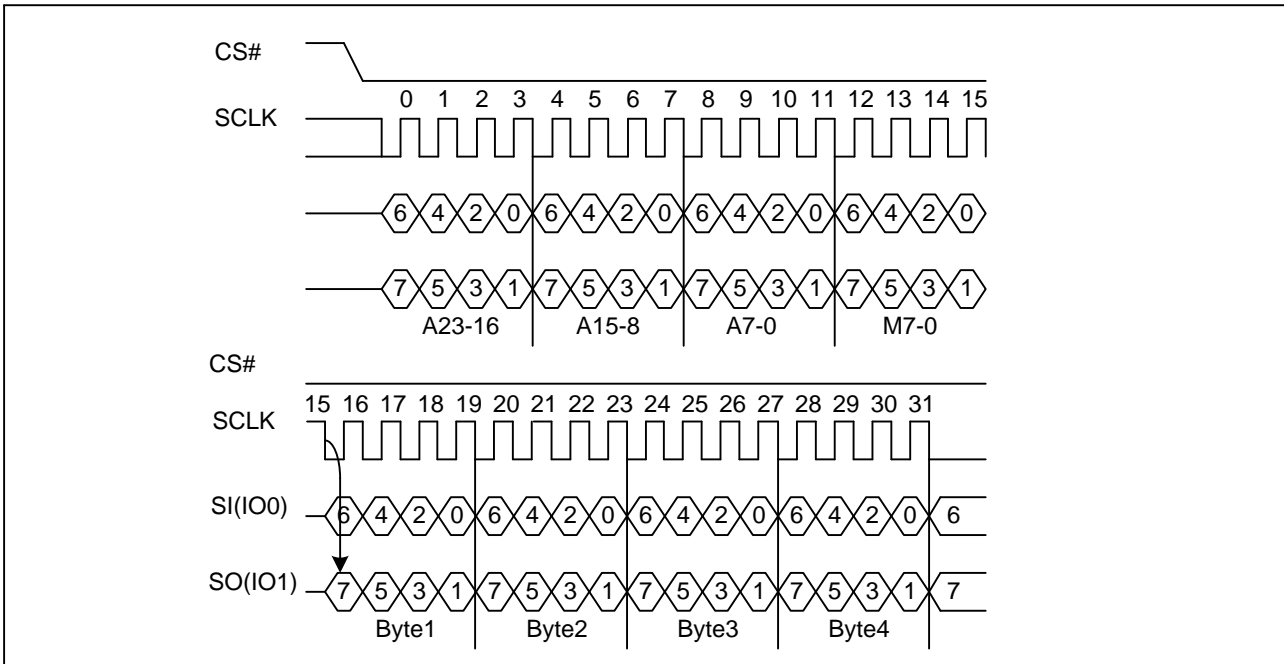


Figure12. Dual I/O Fast Read Sequence Diagram (M5-4= (1, 0))



7.11 Quad I/O Fast Read (EBH)

The Quad I/O Fast Read command is similar to the Dual I/O Fast Read command but with the capability to input the 3-byte address (A23-0) and a “Continuous Read Mode” byte and 4-dummy clock 4-bit per clock by IO0, IO1, IO3, IO4, and each bit is latched in on the rising edge of SCLK, then the memory contents are shifted out 4-bit per clock cycle from IO0, IO1, IO2, IO3. The command sequence is shown in followed Figure13. The first byte addressed can be at any location. The address is automatically incremented to the next higher address after each byte of data is shifted out. The Quad Enable bit (QE) of Status Register (S9) must be set to enable for the Quad I/O Fast read command.

Quad I/O Fast Read with “Continuous Read Mode”

The Quad I/O Fast Read command can further reduce command overhead through setting the “Continuous Read Mode” bits (M7-0) after the input 3-byte address (A23-A0). If the “Continuous Read Mode” bits (M5-4) = (1, 0), then the next Quad I/O Fast Read command (after CS# is raised and then lowered) does not require the EBH command code. The command sequence is shown in followed Figure14. If the “Continuous Read Mode” bits (M5-4) do not equal to (1, 0), the next command requires the command code, thus returning to normal operation. A “Continuous Read Mode” Reset command can be used to reset (M5-4) before issuing normal command.

Figure13. Quad I/O Fast Read Sequence Diagram (M5-4≠ (1, 0))

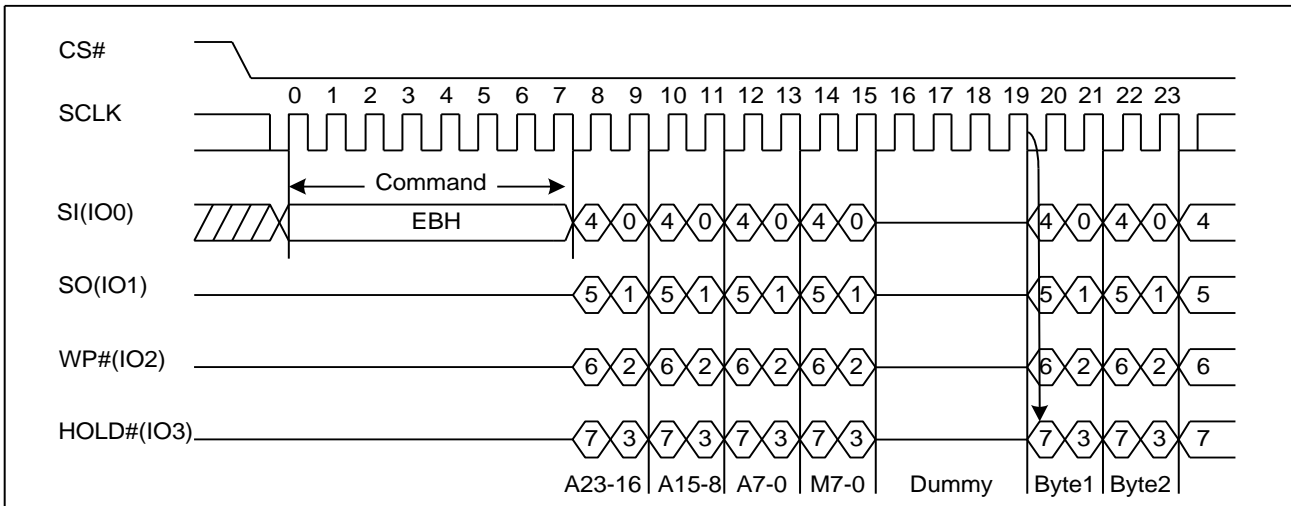
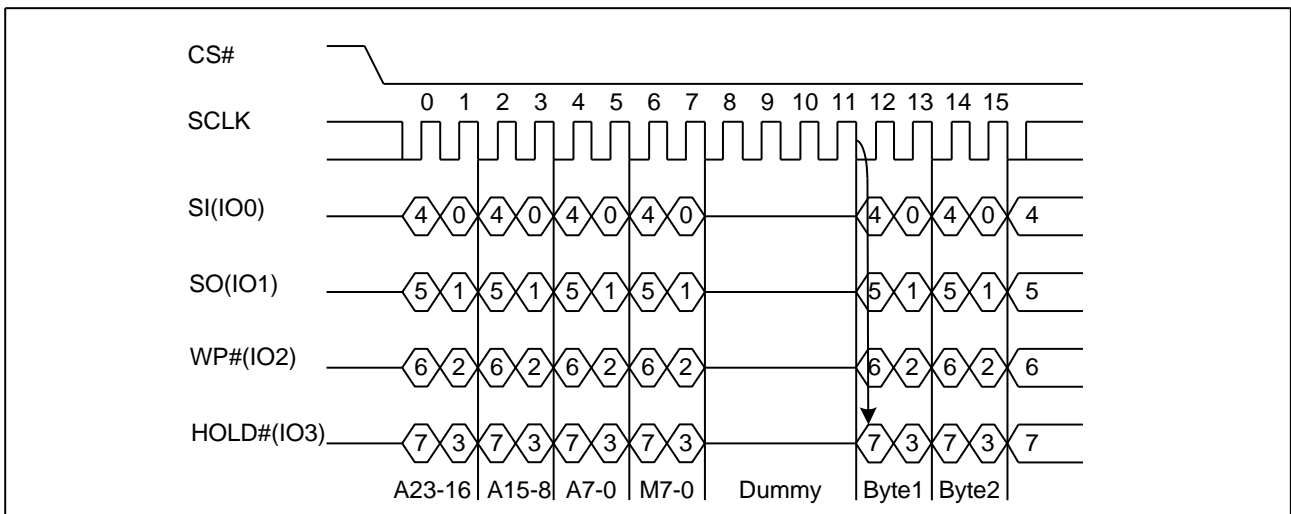


Figure14 . Quad I/O Fast Read Sequence Diagram (M5-4= (1, 0))



Quad I/O Fast Read with “8/16/32/64-Byte Wrap Around” in Standard SPI mode

The Quad I/O Fast Read command can be used to access a specific portion within a page by issuing “Set Burst with Wrap” (77H) commands prior to EBH. The “Set Burst with Wrap” (77H) command can either enable or disable the “Wrap Around” feature for the following EBH commands. When “Wrap Around” is enabled, the data being accessed can be limited to either an 8/16/32/64-byte section of a 256-byte page. The output data starts at the initial address specified in the command, once it reaches the ending boundary of the 8/16/32/64-byte section, the output will wrap around the beginning boundary automatically until CS# is pulled high to terminate the command.

The Burst with Wrap feature allows applications that use cache to quickly fetch a critical address and then fill the cache afterwards within a fixed length (8/16/32/64-byte) of data without issuing multiple read commands. The “Set Burst with Wrap” command allows three “Wrap Bits” W6-W4 to be set. The W4 bit is used to enable or disable the “Wrap Around” operation while W6-W5 is used to specify the length of the wrap around section within a page.

7.12 Set Burst with Wrap (77H)

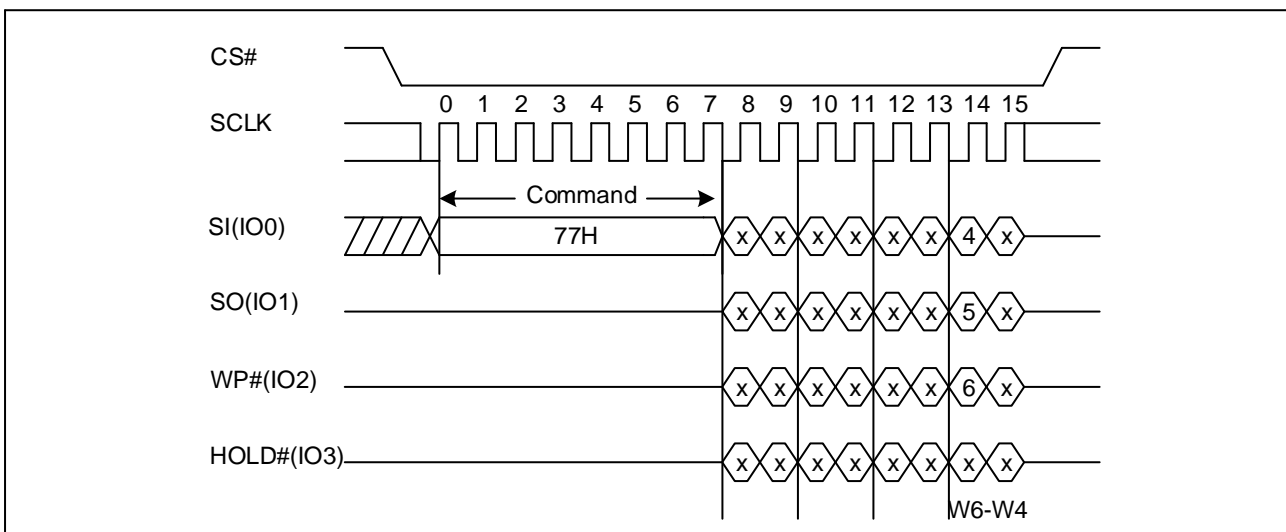
The Set Burst with Wrap command is used in conjunction with “Quad I/O Fast Read” command to access a fixed length of 8/16/32/64-byte section within a 256-byte page, in standard SPI mode.

The Set Burst with Wrap command sequence: CS# goes low → Send Set Burst with Wrap command → Send 24 dummy bits → Send 8 bits “Wrap bits” → CS# goes high.

W6,W5	W4=0		W4=1 (default)	
	Wrap Around	Wrap Length	Wrap Around	Wrap Length
0, 0	Yes	8-byte	No	N/A
0, 1	Yes	16-byte	No	N/A
1, 0	Yes	32-byte	No	N/A
1, 1	Yes	64-byte	No	N/A

If the W6-W4 bits are set by the Set Burst with Wrap command, all the following “Quad I/O Fast Read” command will use the W6-W4 setting to access the 8/16/32/64-byte section within any page. To exit the “Wrap Around” function and return to normal read operation, another Set Burst with Wrap command should be issued to set W4=1.

Figure15. Set Burst with Wrap Sequence Diagram



7.13 Page Program (PP) (02H)

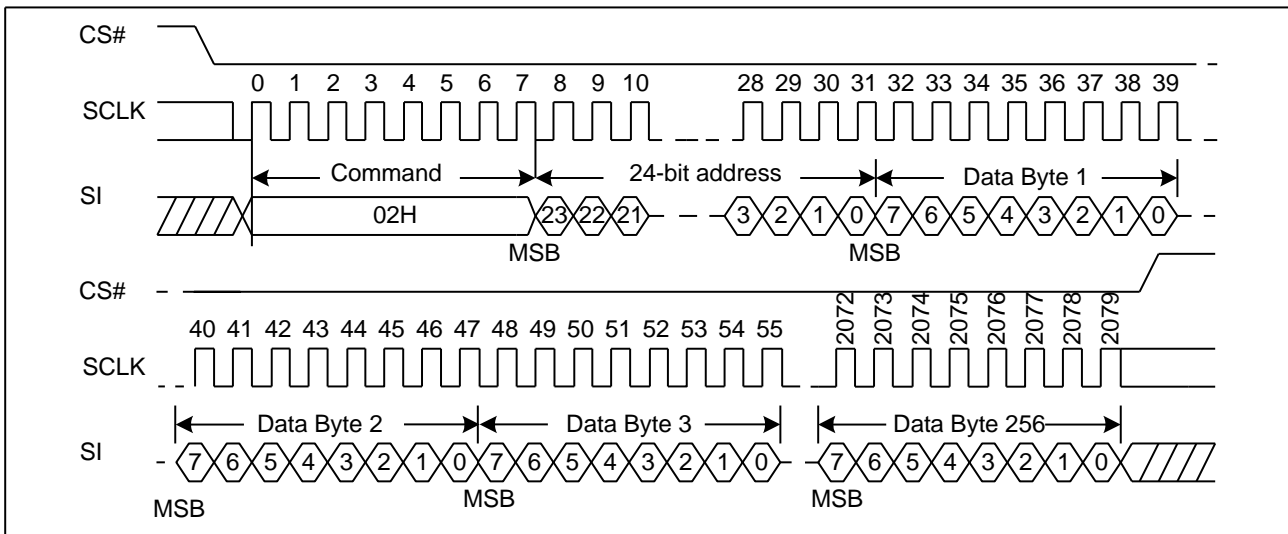
The Page Program (PP) command is for programming the memory. A Write Enable (WREN) command must previously have been executed to set the Write Enable Latch (WEL) bit before sending the Page Program command.

The Page Program (PP) command is entered by driving CS# Low, followed by the command code, three address bytes and at least one data byte on SI. If the 8 least significant address bits (A7-A0) are not all zero, all transmitted data that goes beyond the end of the current page are programmed from the start address of the same page (from the address whose 8 least significant bits (A7-A0) are all zero). CS# must be driven low for the entire duration of the sequence. The Page Program command sequence: CS# goes low → sending Page Program command → 3-byte address on SI → at least 1 byte data on SI → CS# goes high. The command sequence is shown in Figure 16. If more than 256 bytes are sent to the device, previously latched data are discarded and the last 256 data bytes are guaranteed to be programmed correctly within the same page. If less than 256 data bytes are sent to device, they are correctly programmed at the requested addresses without having any effects on the other bytes of the same page. CS# must be driven high after the eighth bit of the last data byte has been latched in; otherwise the Page Program (PP) command is not executed.

As soon as CS# is driven high, the self-timed Page Program cycle (whose duration is t_{PP}) is initiated. While the Page Program cycle is in progress, the Status Register may be read to check the value of the Write in Progress (WIP) bit. The Write in Progress (WIP) bit is 1 during the self-timed Page Program cycle, and is 0 when it is completed. At some unspecified time before the cycle is completed, the Write Enable Latch (WEL) bit is reset.

A Page Program (PP) command applied to a page which is protected by the Block Protect (BP4, BP3, BP2, BP1, and BP0) is not executed.

Figure 16. Page Program Sequence Diagram



7.14 Quad Page Program (32H)

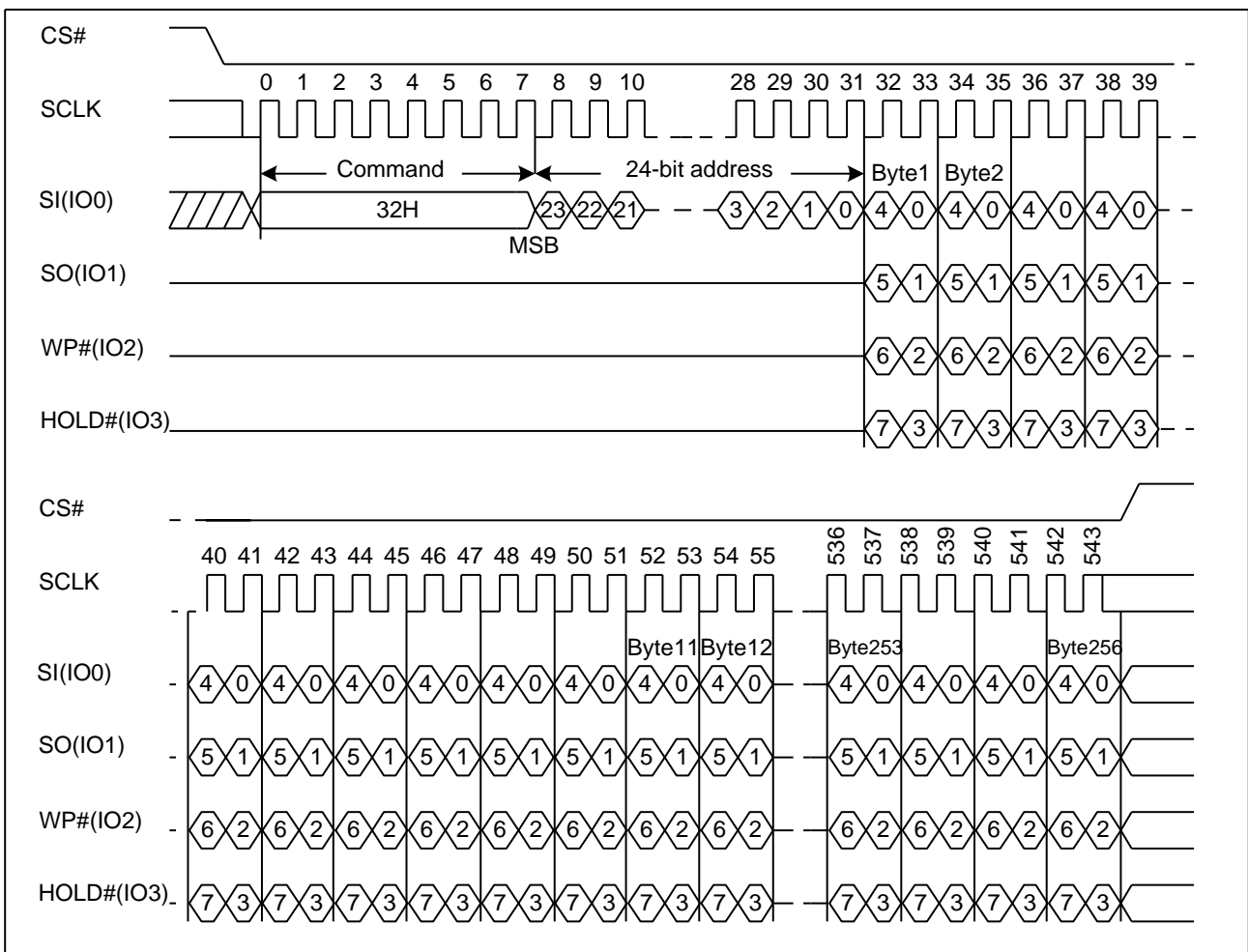
The Quad Page Program command is for programming the memory using four pins: IO0, IO1, IO2, and IO3. To use Quad Page Program the Quad enable in status register Bit9 must be set (QE=1). A Write Enable (WREN) command must previously have been executed to set the Write Enable Latch (WEL) bit before sending the Page Program command. The quad Page Program command is entered by driving CS# Low, followed by the command code (32H), three address bytes and at least one data byte on IO pins.

The command sequence is shown in Figure17 If more than 256 bytes are sent to the device, previously latched data are discarded and the last 256 data bytes are guaranteed to be programmed correctly within the same page. If less than 256 data bytes are sent to device, they are correctly programmed at the requested addresses without having any effects on the other bytes of the same page. CS# must be driven high after the eighth bit of the last data byte has been latched in; otherwise the Quad Page Program (PP) command is not executed.

As soon as CS# is driven high, the self-timed Quad Page Program cycle (whose duration is t_{PP}) is initiated. While the Quad Page Program cycle is in progress, the Status Register may be read to check the value of the Write In Progress (WIP) bit. The Write in Progress (WIP) bit is 1 during the self-timed Quad Page Program cycle, and is 0 when it is completed. At some unspecified time before the cycle is completed, the Write Enable Latch (WEL) bit is reset.

A Quad Page Program command applied to a page which is protected by the Block Protect (BP4, BP3, BP2, BP1, and BP0) is not executed.

Figure17. Quad Page Program Sequence Diagram

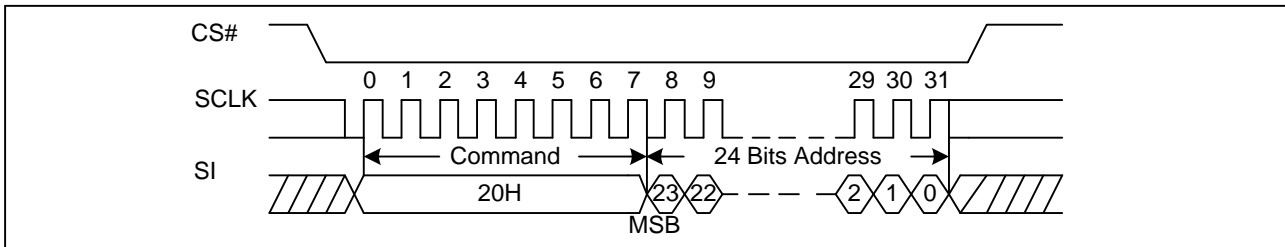


7.15 Sector Erase (SE) (20H)

The Sector Erase (SE) command is for erasing the all data of the chosen sector. A Write Enable (WREN) command must previously have been executed to set the Write Enable Latch (WEL) bit. The Sector Erase (SE) command is entered by driving CS# low, followed by the command code, and 3-address byte on SI. Any address inside the sector is a valid address for the Sector Erase (SE) command. CS# must be driven low for the entire duration of the sequence.

The Sector Erase command sequence: CS# goes low → sending Sector Erase command → 3-byte address on SI → CS# goes high. The command sequence is shown in Figure18. CS# must be driven high after the eighth bit of the last address byte has been latched in; otherwise the Sector Erase (SE) command is not executed. As soon as CS# is driven high, the self-timed Sector Erase cycle (whose duration is t_{SE}) is initiated. While the Sector Erase cycle is in progress, the Status Register may be read to check the value of the Write in Progress (WIP) bit. The Write in Progress (WIP) bit is 1 during the self-timed Sector Erase cycle, and is 0 when it is completed. At some unspecified time before the cycle is completed, the Write Enable Latch (WEL) bit is reset. A Sector Erase (SE) command applied to a sector which is protected by the Block Protect (BP4, BP3, BP2, BP1, and BP0) bit (see Table 1-4) is not executed.

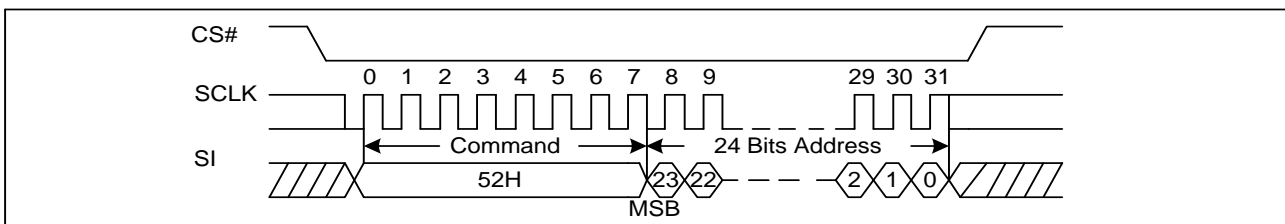
Figure18. Sector Erase Sequence Diagram



7.16 32KB Block Erase (BE) (52H)

The 32KB Block Erase (BE) command is for erasing the all data of the chosen block. A Write Enable (WREN) command must previously have been executed to set the Write Enable Latch (WEL) bit. The 32KB Block Erase (BE) command is entered by driving CS# low, followed by the command code, and three address bytes on SI. Any address inside the block is a valid address for the 32KB Block Erase (BE) command. CS# must be driven low for the entire duration of the sequence. The 32KB Block Erase command sequence: CS# goes low → sending 32KB Block Erase command → 3-byte address on SI → CS# goes high. The command sequence is shown in Figure19. CS# must be driven high after the eighth bit of the last address byte has been latched in; otherwise the 32KB Block Erase (BE) command is not executed. As soon as CS# is driven high, the self-timed Block Erase cycle (whose duration is t_{SE}) is initiated. While the Block Erase cycle is in progress, the Status Register may be read to check the value of the Write in Progress (WIP) bit. The Write in Progress (WIP) bit is 1 during the self-timed Block Erase cycle, and is 0 when it is completed. At some unspecified time before the cycle is completed, the Write Enable Latch (WEL) bit is reset. A 32KB Block Erase (BE) command applied to a block which is protected by the Block Protect (BP4, BP3, BP2, BP1, and BP0) bits (see Table 1-4) is not executed.

Figure19. 32KB Block Erase Sequence Diagram

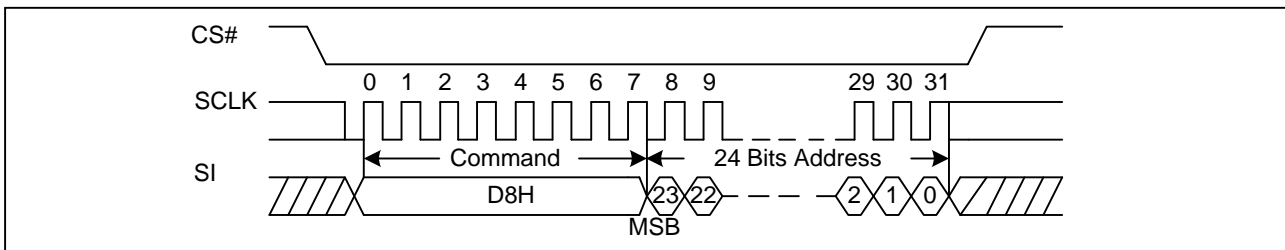


7.17 64KB Block Erase (BE) (D8H)

The 64KB Block Erase (BE) command is for erasing the all data of the chosen block. A Write Enable (WREN) command

must previously have been executed to set the Write Enable Latch (WEL) bit. The 64KB Block Erase (BE) command is entered by driving CS# low, followed by the command code, and three address bytes on SI. Any address inside the block is a valid address for the 64KB Block Erase (BE) command. CS# must be driven low for the entire duration of the sequence. The 64KB Block Erase command sequence: CS# goes low → sending 64KB Block Erase command → 3-byte address on SI → CS# goes high. The command sequence is shown in Figure 20. CS# must be driven high after the eighth bit of the last address byte has been latched in; otherwise the 64KB Block Erase (BE) command is not executed. As soon as CS# is driven high, the self-timed Block Erase cycle (whose duration is t_{SE}) is initiated. While the Block Erase cycle is in progress, the Status Register may be read to check the value of the Write in Progress (WIP) bit. The Write in Progress (WIP) bit is 1 during the self-timed Block Erase cycle, and is 0 when it is completed. At some unspecified time before the cycle is completed, the Write Enable Latch (WEL) bit is reset. A 64KB Block Erase (BE) command applied to a block which is protected by the Block Protect (BP4, BP3, BP2, BP1, and BP0) bits (see Table 1-4) is not executed.

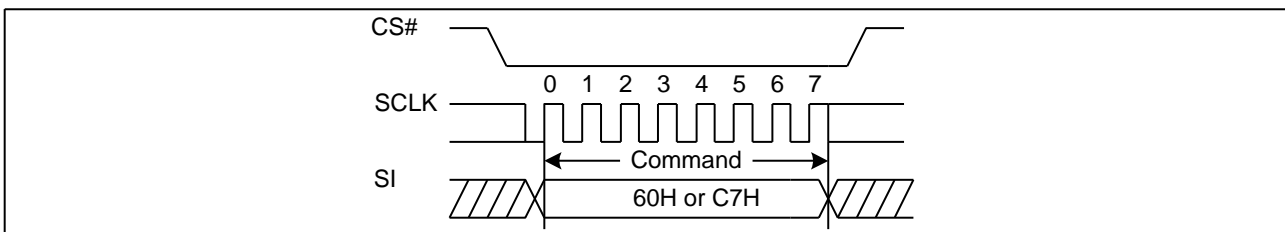
Figure20. 64KB Block Erase Sequence Diagram



7.18 Chip Erase (CE) (60/C7H)

The Chip Erase (CE) command is for erasing the all data of the chip. A Write Enable (WREN) command must previously have been executed to set the Write Enable Latch (WEL) bit .The Chip Erase (CE) command is entered by driving CS# Low, followed by the command code on Serial Data Input (SI). CS# must be driven Low for the entire duration of the sequence. The Chip Erase command sequence: CS# goes low → sending Chip Erase command → CS# goes high. The command sequence is shown in Figure21. CS# must be driven high after the eighth bit of the command code has been latched in; otherwise the Chip Erase command is not executed. As soon as CS# is driven high, the self-timed Chip Erase cycle (whose duration is t_{CE}) is initiated. While the Chip Erase cycle is in progress, the Status Register may be read to check the value of the Write in Progress (WIP) bit. The Write in Progress (WIP) bit is 1 during the self-timed Chip Erase cycle, and is 0 when it is completed. At some unspecified time before the cycle is completed, the Write Enable Latch (WEL) bit is reset. The Chip Erase (CE) command is executed, if the Block Protect (BP2, BP1, and BP0) bits are 0 and CMP=0 or the Block Protect (BP2, BP1, and BP0) bits are 1 and CMP=1.

Figure21. Chip Erase Sequence Diagram



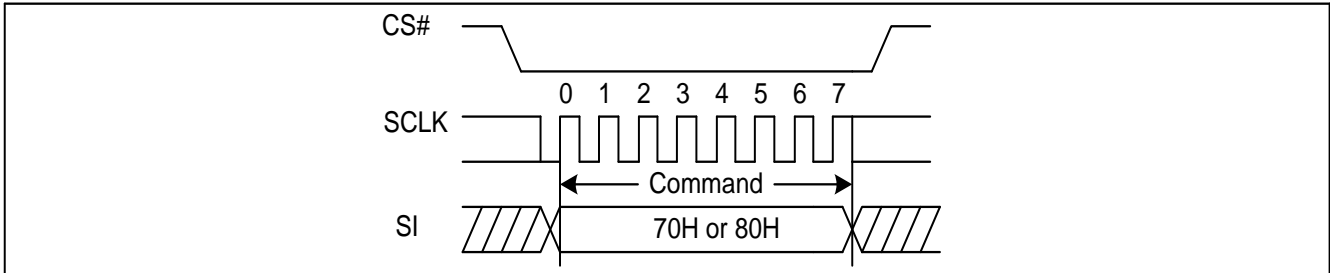
7.19 Enable/Disable SO to Output RY/BY# (ESRY/DSRY) (70H/80H)

Besides SO pin is used to output data, it also can be used as the status pin of ready/busy. The ESRY command is for outputting the ready/busy status to SO. When the device is in the process of power on, enter or exit deep power down mode and erase/program, its status is busy, and the SO output 0. When the device is in the standby mode, the status of

device is ready, then SO output 1. The DSRV command is for resetting ESRV. The ready/busy status will not output to SO after DSRV issued.

The Enable/Disable SO to Output RY/BY# command sequence: CS# goes low → sending ESRV command code → CS# goes high. The command sequence is shown in Figure22. CS# must be driven high after the eighth bit of the command code has been latched in; otherwise the Enable/Disable SO to Output RY/BY# command is not executed.

Figure22. Enable/Disable SO to Output RY/BY# Diagram



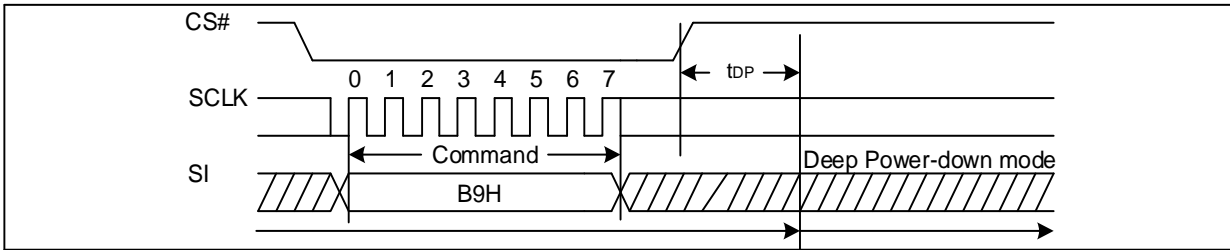
7.20 Deep Power-Down (DP) (B9H)

Executing the Deep Power-Down (DP) command is the only way to put the device in the lowest consumption mode (the Deep Power-Down Mode). It can also be used as an extra software protection mechanism, while the device is not in active use, since in this mode, the device ignores all Write, Program and Erase commands. Driving CS# high deselects the device, and puts the device in the Standby Mode (if there is no internal cycle currently in progress). But this mode is not the Deep Power-Down Mode. The Deep Power-Down Mode can only be entered by executing the Deep Power-Down (DP) command. Once the device has entered the Deep Power-Down Mode, all commands are ignored except the Release from Deep Power-Down and Read Device ID (RDI) command or software reset command. The Release from Deep Power-Down and Read Device ID (RDI) command releases the device from Deep Power-Down mode, also allows the Device ID of the device to be output on SO.

The Deep Power-Down Mode automatically stops at Power-Down, and the device always in the Standby Mode after Power-Up.

The Deep Power-Down command sequence: CS# goes low → sending Deep Power-Down command → CS# goes high. The command sequence is shown in Figure23. CS# must be driven high after the eighth bit of the command code has been latched in; otherwise the Deep Power-Down (DP) command is not executed. As soon as CS# is driven high, it requires a delay of t_{DP} before the supply current is reduced to I_{CC2} and the Deep Power-Down Mode is entered. Any Deep Power-Down (DP) command, while an Erase, Program or Write cycle is in progress, is rejected without having any effects on the cycle that is in progress.

Figure23. Deep Power-Down Sequence Diagram



7.21 Release from Deep Power-Down and Read Device ID (RDI) (ABH)

The Release from Power-Down and Read Device ID command is a multi-purpose command. It can be used to release the device from the Power-Down state or obtain the devices electronic identification (ID) number.

To release the device from the Power-Down state, the command is issued by driving the CS# pin low, shifting the instruction code “ABH” and driving CS# high as shown in Figure24. Release from Power-Down will take the time duration of t_{RES1} (See AC Characteristics) before the device will resume normal operation and other command are accepted. The CS# pin must remain high during the t_{RES1} time duration.

When used only to obtain the Device ID while not in the Power-Down state, the command is initiated by driving the CS# pin low and shifting the instruction code “ABH” followed by 3-dummy byte. The Device ID bits are then shifted out on the falling edge of SCLK with most significant bit (MSB) first as shown in Figure25. The Device ID value is listed in Manufacturer and Device Identification table. The Device ID can be read continuously. The command is completed by driving CS# high.

When used to release the device from the Power-Down state and obtain the Device ID, the command is the same as previously described, and shown in Figure25, except that after CS# is driven high it must remain high for a time duration of t_{RES2} (See AC Characteristics). After this time duration the device will resume normal operation and other command will be accepted. If the Release from Power-Down / Device ID command is issued while an Erase, Program or Write cycle is in process (when WIP equal 1) the command is ignored and will not have any effects on the current cycle.

Figure24. Release Power-Down Sequence Diagram

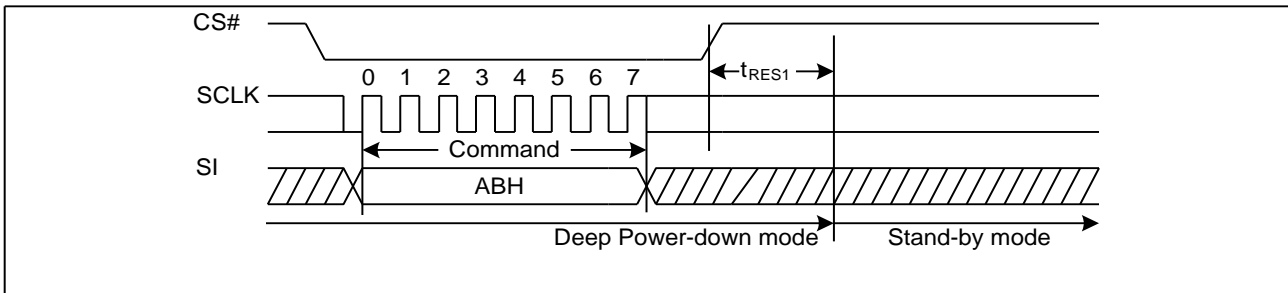
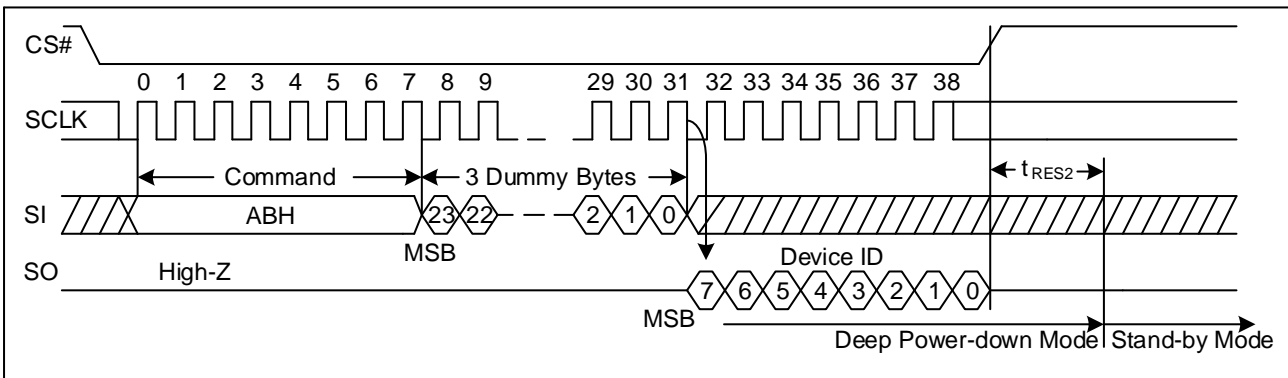


Figure25. Release Power-Down/Read Device ID Sequence Diagram

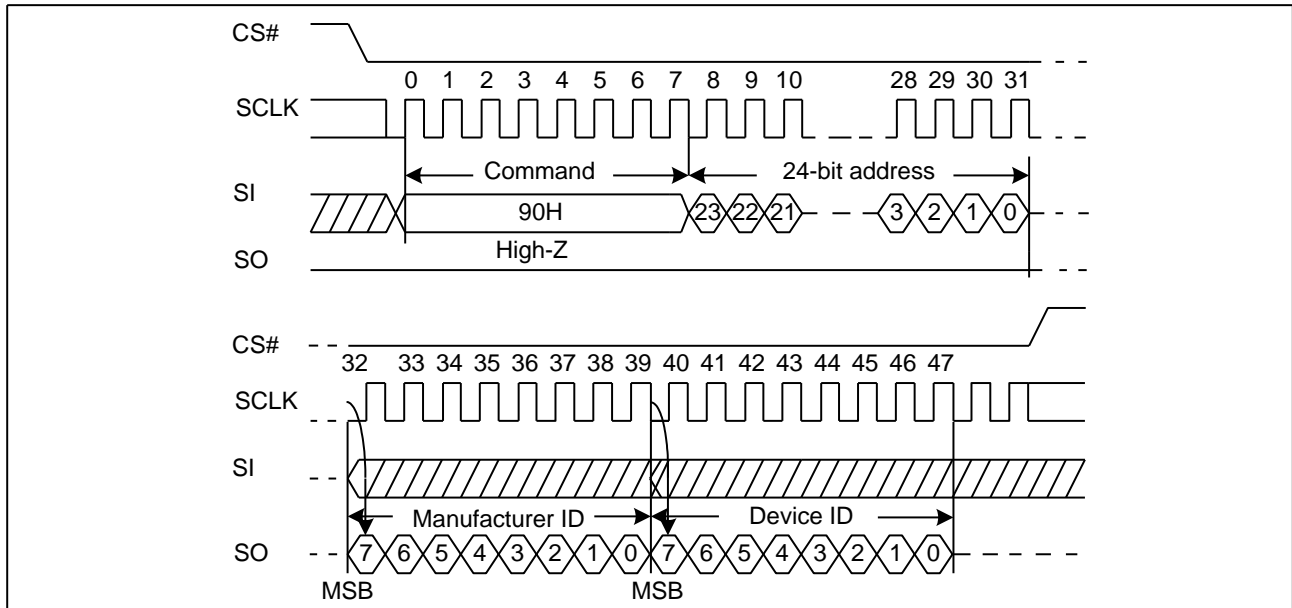


7.22 Read Manufacture ID/ Device ID (REMS) (90H)

The Read Manufacturer/Device ID command is an alternative to the Release from Power-Down / Device ID command that provides both the JEDEC assigned Manufacturer ID and the specific Device ID.

The command is initiated by driving the CS# pin low and shifting the command code “90H” followed by a 24-bit address (A23-A0) of 000000H. After which, the Manufacturer ID and the Device ID are shifted out on the falling edge of SCLK with most significant bit (MSB) first as shown in Figure26. If the 24-bit address is initially set to 000001H, the Device ID will be read first.

Figure26. Read Manufacture ID/ Device ID Sequence Diagram

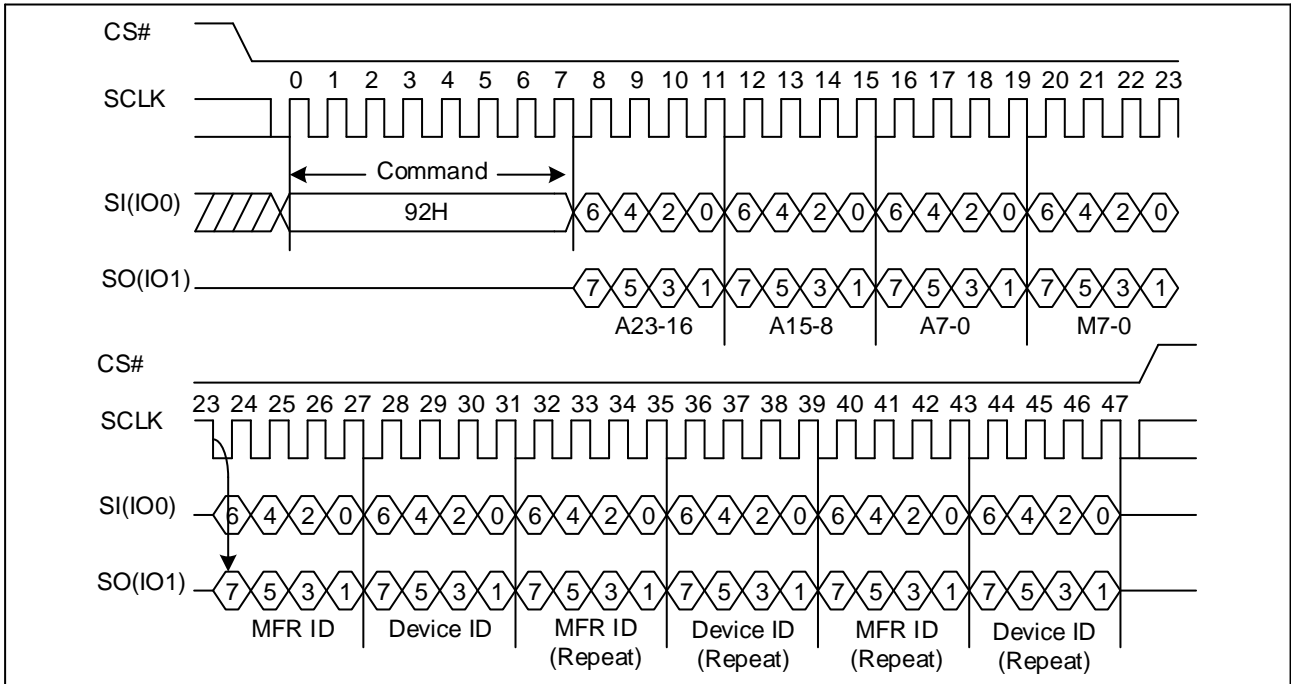


7.23 Read Manufacture ID/ Device ID Dual I/O (92H)

The Read Manufacturer/Device ID Dual I/O command is an alternative to the Release from Power-Down / Device ID command that provides both the JEDEC assigned Manufacturer ID and the specific Device ID by dual I/O.

The command is initiated by driving the CS# pin low and shifting the command code “92H” followed by a 24-bit address (A23-A0) of 000000H. After which, the Manufacturer ID and the Device ID are shifted out on the falling edge of SCLK with most significant bit (MSB) first as shown in Figure27. If the 24-bit address is initially set to 000001H, the Device ID will be read first.

Figure27. Read Manufacture ID/ Device ID Dual I/O Sequence Diagram



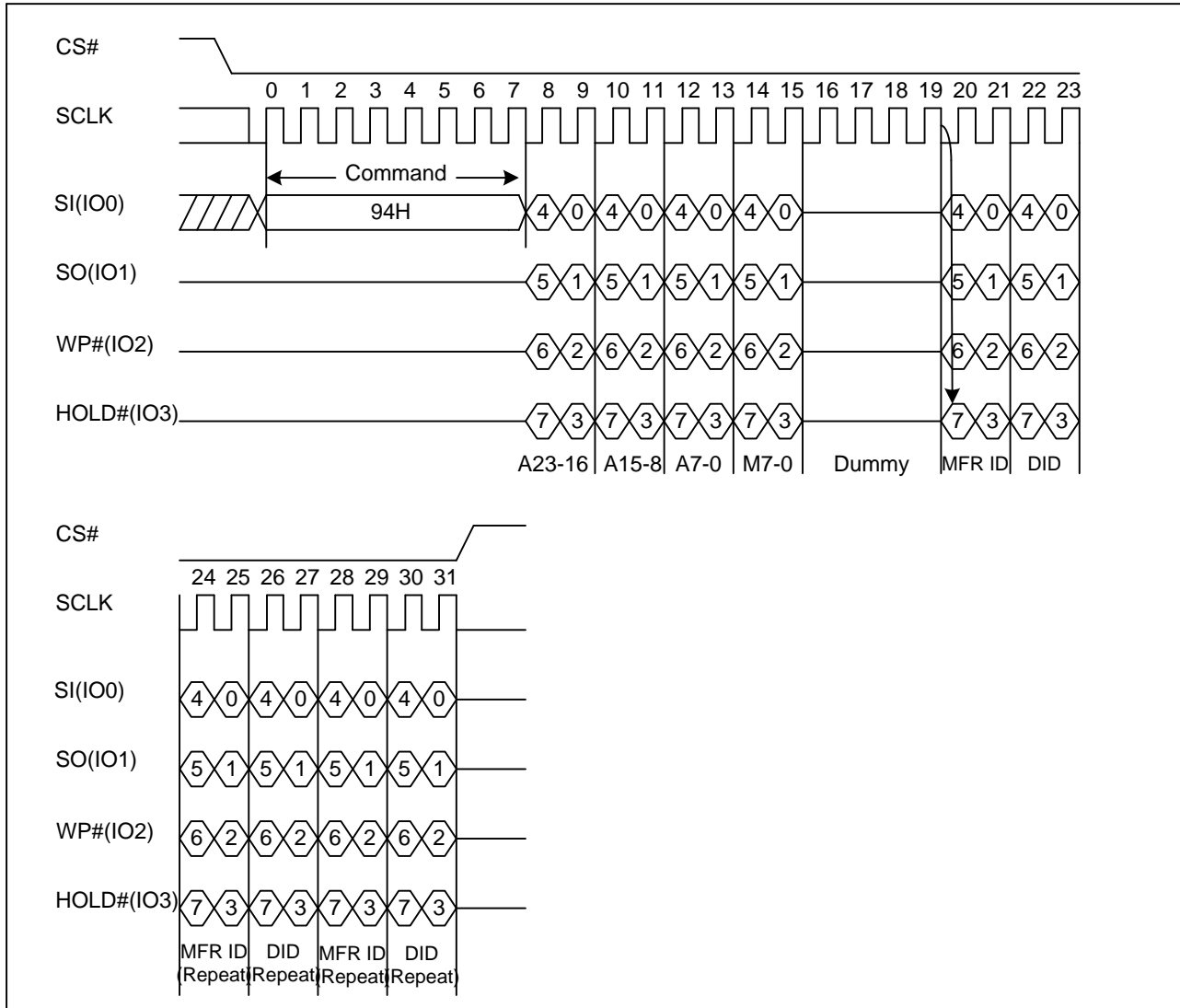


7.24 Read Manufacturer ID/ Device ID Quad I/O (94H)

The Read Manufacturer/Device ID Quad I/O command is an alternative to the Release from Power-Down / Device ID command that provides both the JEDEC assigned Manufacturer ID and the specific Device ID by quad I/O.

The command is initiated by driving the CS# pin low and shifting the command code “94H” followed by a 24-bit address (A23-A0) of 000000H. After which, the Manufacturer ID and the Device ID are shifted out on the falling edge of SCLK with most significant bit (MSB) first as shown in Figure28. If the 24-bit address is initially set to 000001H, the Device ID will be read first.

Figure28. Read Manufacturer ID/ Device ID Quad I/O Sequence Diagram

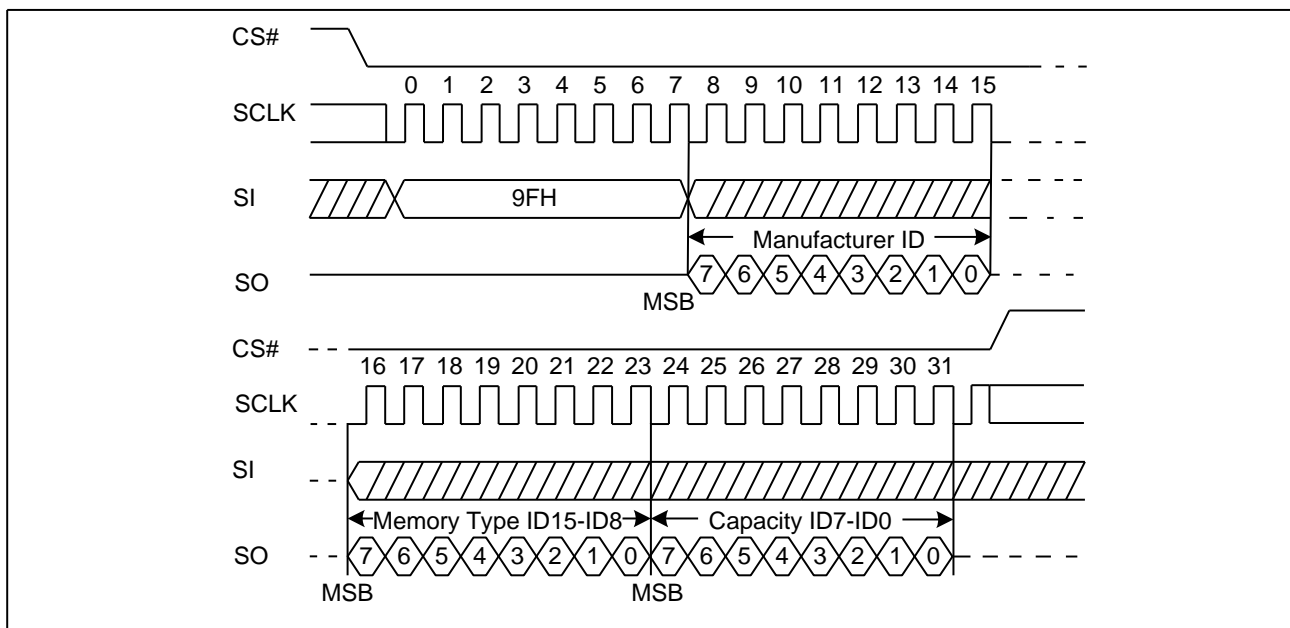


7.25 Read Identification (RDID) (9FH)

The Read Identification (RDID) command allows the 8-bit manufacturer identification to be read, followed by two bytes of device identification. The device identification indicates the memory type in the first byte, and the memory capacity of the device in the second byte. The Read Identification (RDID) command while an Erase or Program cycle is in progress, is not decoded, and has no effect on the cycle that is in progress. The Read Identification (RDID) command should not be issued while the device is in Deep Power-Down Mode.

The device is first selected by driving CS# low. Then, the 8-bit command code for the command is shifted in. This is followed by the 24-bit device identification, stored in the memory. Each bit is shifted out on the falling edge of Serial Clock. The command sequence is shown in Figure 29. The Read Identification (RDID) command is terminated by driving CS# high at any time during data output. When CS# is driven high, the device is in the Standby Mode. Once in the Standby Mode, the device waits to be selected, so that it can receive, decode and execute commands.

Figure 29. Read Identification ID Sequence Diagram

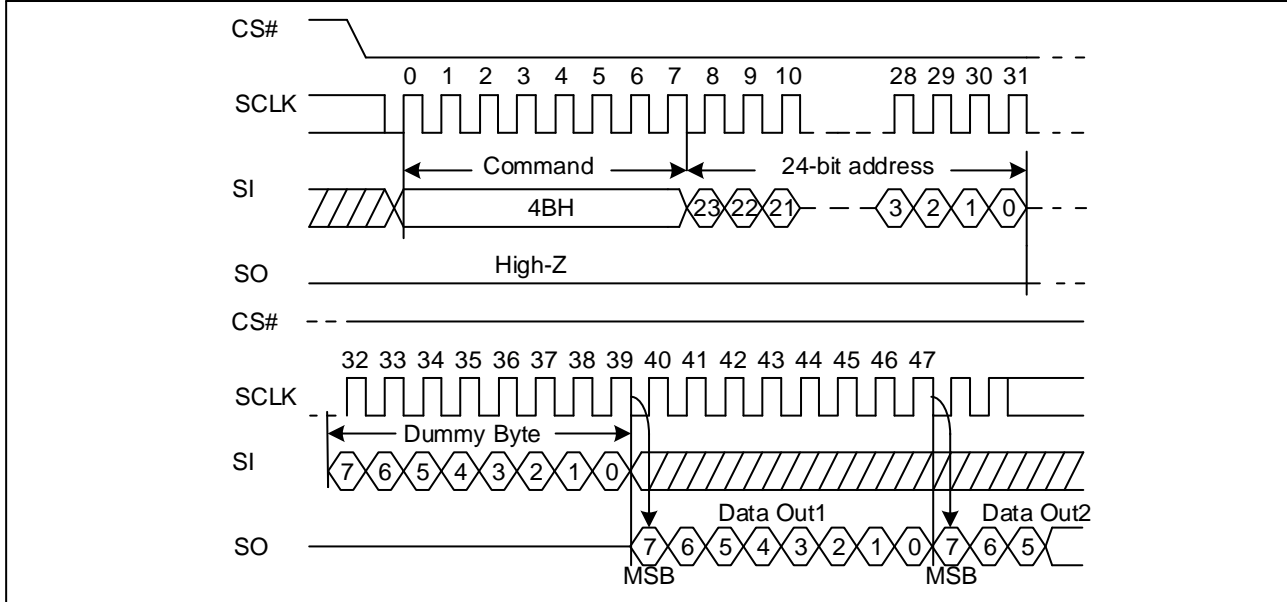


7.26 Read Unique ID (4BH)

The Read Unique ID command accesses a factory-set read-only 128bit number that is unique to each device. The Unique ID can be used in conjunction with user software methods to help prevent copying or cloning of a system.

The Read Unique ID command sequence: CS# goes low → sending Read Unique ID command → 3-Byte Address (000000H) → Dummy Byte → 128bit Unique ID Out → CS# goes high.

Figure 30. Read Unique ID Sequence Diagram

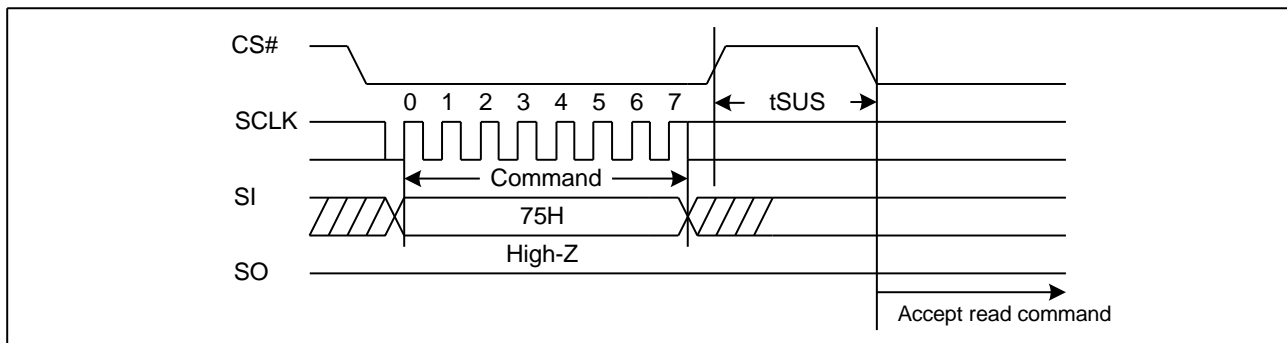


7.27 Program/Erase Suspend (PES) (75H)

The Program/Erase Suspend command “75H”, allows the system to interrupt a page program or sector/block erase operation and then read data from any other sector or block. The Write Status Register command (01H) and Erase/Program Security Registers command (44H,42H) and Erase commands (20H, 52H, D8H, C7H, 60H) and Page Program command (02H/32H) are not allowed during Program suspend. The Write Status Register command (01H) and Erase Security Registers command (44H) and Erase commands (20H, 52H, D8H, C7H, 60H) are not allowed during Erase suspend. Program/Erase Suspend is valid only during the page program or sector/block erase operation. A maximum of time of “tsus” (See AC Characteristics) is required to suspend the program/erase operation.

The Program/Erase Suspend command will be accepted by the device only if the SUS2/SUS1 bit in the Status Register equal to 0 and WIP bit equal to 1 while a Page Program or a Sector or Block Erase operation is on-going. If the SUS2/SUS1 bit equal to 1 or WIP bit equal to 0, the Suspend command will be ignored by the device. The WIP bit will be cleared from 1 to 0 within “tsus” and the SUS2/SUS1 bit will be set from 0 to 1 immediately after Program/Erase Suspend. A power-off during the suspend period will reset the device and release the suspend state. The command sequence is show in Figure31.

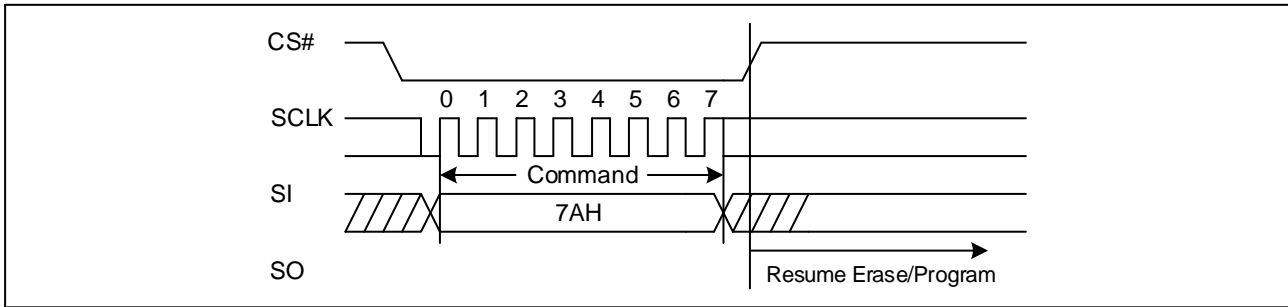
Figure31. Program/Erase Suspend Sequence Diagram



7.28 Program/Erase Resume (PER) (7AH)

The Program/Erase Resume command must be written to resume the program or sector/block erase operation after a Program/Erase Suspend command. The Program/Erase Resume command will be accepted by the device only if the SUS2/SUS1 bit equal to 1 and the WIP bit equal to 0. After issued the SUS2/SUS1 bit in the status register will be cleared from 1 to 0 immediately, the WIP bit will be set from 0 to 1 within 200ns and the Sector or Block will complete the erase operation or the page will complete the program operation. The Program/Erase Resume command will be ignored unless a Program/Erase Suspend is active. The command sequence is show in Figure32.

Figure32. Program/Erase Resume Sequence Diagram



7.29 Erase Security Registers (44H)

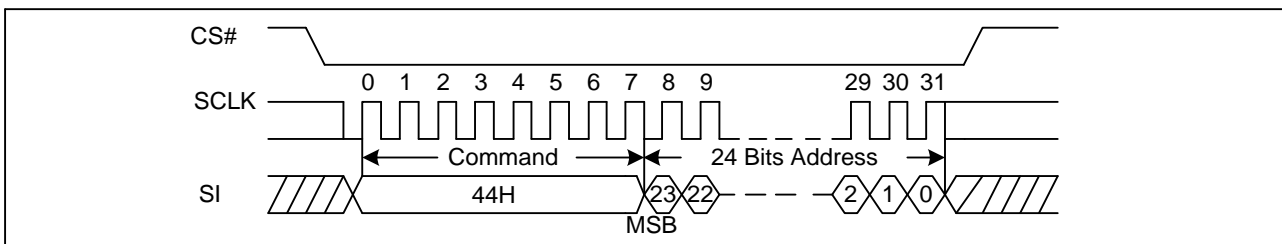
The GD25LQ40C/20C/10C/05C provides three 512-byte Security Registers which can be erased and programmed individually. These registers may be used by the system manufacturers to store security and other important information separately from the main memory array.

The Erase Security Registers command is similar to Sector/Block Erase command. A Write Enable (WREN) command must previously have been executed to set the Write Enable Latch (WEL) bit.

The Erase Security Registers command sequence: CS# goes low → sending Erase Security Registers command → The Erase Security Registers command sequence: CS# goes low → sending Erase Security Registers command → 3-byte address on SI → CS# goes high. The command sequence is shown below. CS# must be driven high after the eighth bit of the last address byte has been latched in; otherwise the Erase Security Registers command is not executed. As soon as CS# is driven high, the self-timed Erase Security Registers cycle (whose duration is t_{SE}) is initiated. While the Erase Security Registers cycle is in progress, the Status Register may be read to check the value of the Write in Progress (WIP) bit. The Write in Progress (WIP) bit is 1 during the self-timed Erase Security Registers cycle, and is 0 when it is completed. At some unspecified time before the cycle is completed, the Write Enable Latch (WEL) bit is reset. The Security Registers Lock Bit (LB3-1) in the Status Register can be used to OTP protect the security registers. Once the LB bit is set to 1, the Security Registers will be permanently locked; the Erase Security Registers command will be ignored.

Address	A23-16	A15-12	A11-9	A8-0
Security Register #1	00H	0 0 0 1	0 0 0	Don't care
Security Register #2	00H	0 0 1 0	0 0 0	Don't care
Security Register #3	00H	0 0 1 1	0 0 0	Don't care

Figure 33. Erase Security Registers command Sequence Diagram



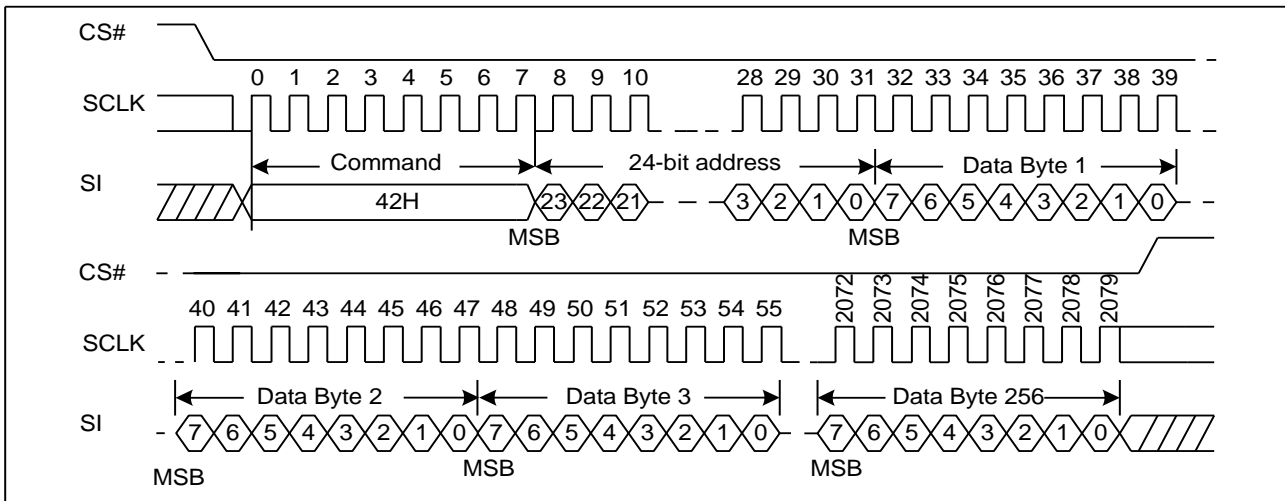
7.30 Program Security Registers (42H)

The Program Security Registers command is similar to the Page Program command. Each security register contains four pages content. A Write Enable (WREN) command must previously have been executed to set the Write Enable Latch (WEL) bit before sending the Program Security Registers command. The Program Security Registers command is entered by driving CS# Low, followed by the command code (42H), three address bytes and at least one data byte on SI. As soon as CS# is driven high, the self-timed Program Security Registers cycle (whose duration is t_{PP}) is initiated. While the Program Security Registers cycle is in progress, the Status Register may be read to check the value of the Write in Progress (WIP) bit. The Write in Progress (WIP) bit is 1 during the self-timed Program Security Registers cycle, and is 0 when it is completed. At some unspecified time before the cycle is completed, the Write Enable Latch (WEL) bit is reset.

If the Security Registers Lock Bit (LB3-1) is set to 1, the Security Registers will be permanently locked. Program Security Registers command will be ignored.

Address	A23-16	A15-12	A11-9	A8-0
Security Register #1	00H	0 0 0 1	0 0 0	Byte Address
Security Register #2	00H	0 0 1 0	0 0 0	Byte Address
Security Register #3	00H	0 0 1 1	0 0 0	Byte Address

Figure34. Program Security Registers command Sequence Diagram

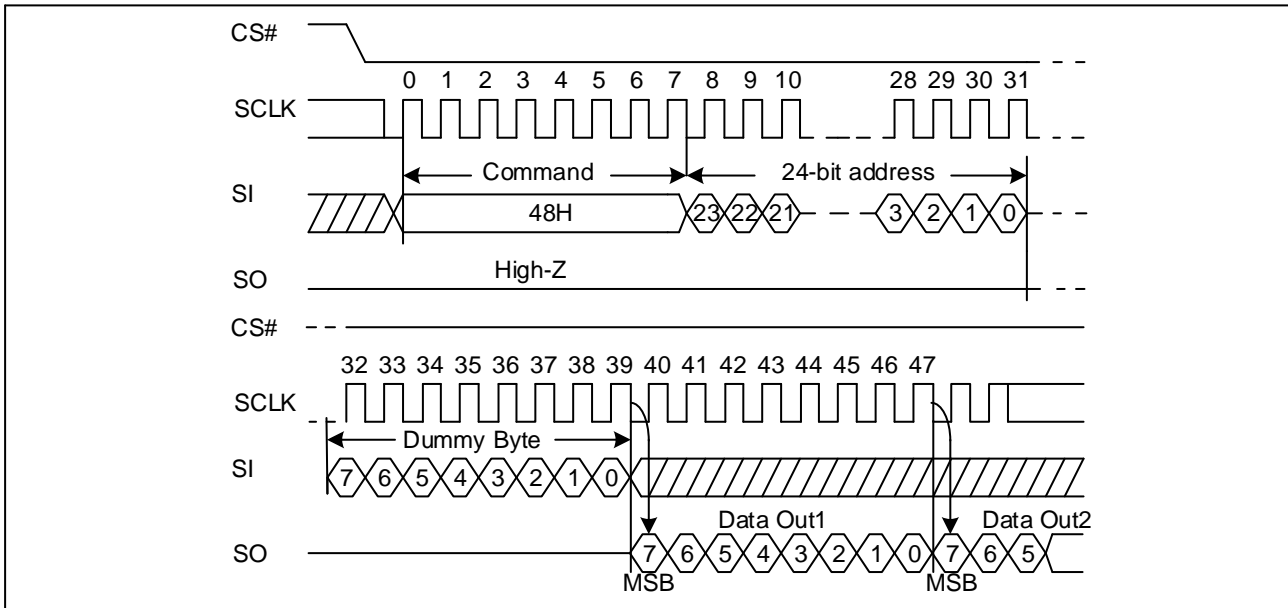


7.31 Read Security Registers (48H)

The Read Security Registers command is similar to Fast Read command. The command is followed by a 3-byte address (A23-A0) and a dummy byte, and each bit is latched-in on the rising edge of SCLK. Then the memory content, at that address, is shifted out on SO, and each bit is shifted out, at a Max frequency f_c , on the falling edge of SCLK. The first byte addressed can be at any location. The address is automatically incremented to the next higher address after each byte of data is shifted out. Once the A8-A0 address reaches the last byte of the register (Byte 1FFH), it will reset to 000H, the command is completed by driving CS# high.

Address	A23-16	A15-12	A11-9	A8-0
Security Register #1	00H	0 0 0 1	0 0 0	Byte Address
Security Register #2	00H	0 0 1 0	0 0 0	Byte Address
Security Register #3	00H	0 0 1 1	0 0 0	Byte Address

Figure35. Read Security Registers command Sequence Diagram

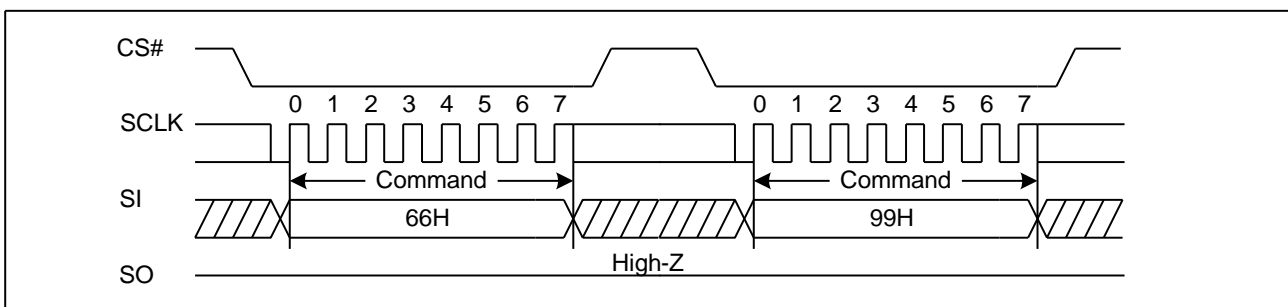


7.32 Enable Reset (66H) and Reset (99H)

If the Reset command is accepted, any on-going internal operation will be terminated and the device will return to its default power-on state and lose all the current volatile settings, such as Volatile Status Register bits, Write Enable Latch status (WEL), Program/Erase Suspend status, Read Parameter setting (P7-P0), Deep Power Down Mode, Continuous Read Mode bit setting (M7-M0) and Wrap Bit Setting (W6-W4).

The “Enable Reset (66H)” and the “Reset (99H)” commands sequence as follow: CS# goes low → Sending Enable Reset command → CS# goes high → CS# goes low → Sending Reset command → CS# goes high. Once the Reset command is accepted by the device, the device will take approximately t_{RST}/t_{RST_E} to reset. During this period, no command will be accepted. Data corruption may happen if there is an on-going or suspended internal Erase or Program operation when Reset command sequence is accepted by the device. It is recommended to check the BUSY bit and the SUS bit in Status Register before issuing the Reset command sequence.

Figure36. Enable Reset and Reset command Sequence Diagram



7.33 Read Serial Flash Discoverable Parameter (5AH)

The Serial Flash Discoverable Parameter (SFDP) standard provides a consistent method of describing the functional and feature capabilities of serial flash devices in a standard set of internal parameter tables. These parameter tables can be interrogated by host system software to enable adjustments needed to accommodate divergent features from multiple vendors. The concept is similar to the one found in the Introduction of JEDEC Standard, JESD68 on CFI. SFDP is a standard of JEDEC Standard No.216.

Figure37. Read Serial Flash Discoverable Parameter command Sequence Diagram

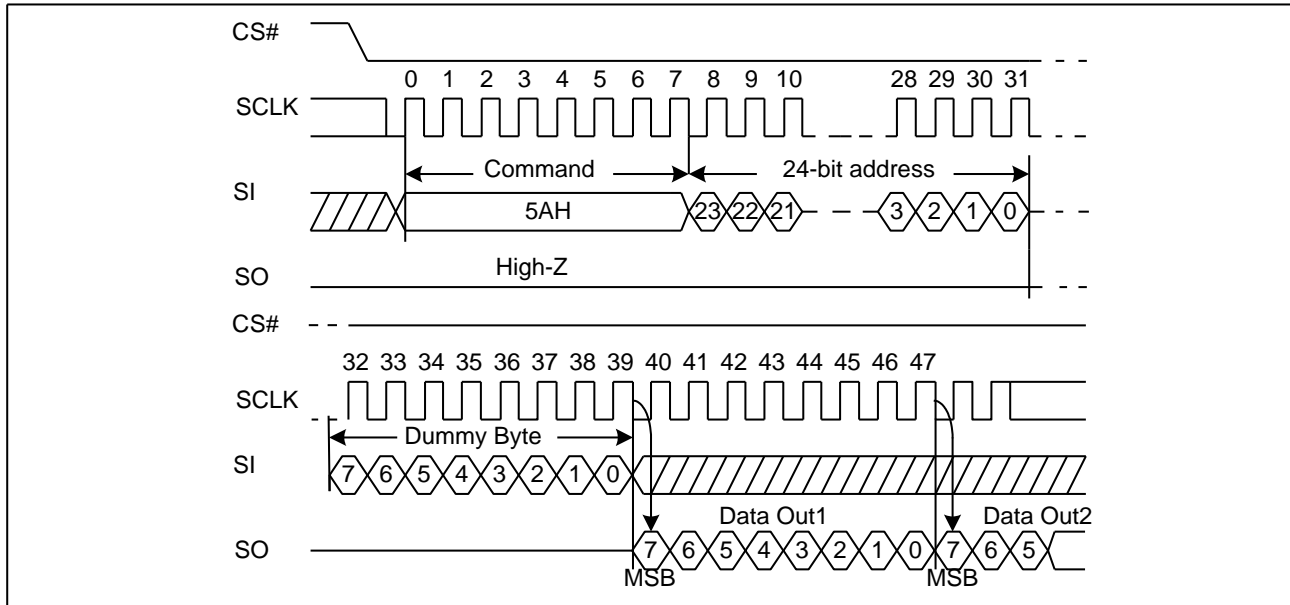


Table6. Signature and Parameter Identification Data Values

Description	Comment	Add(H) (Byte)	DW Add (Bit)	Data	Data
SFDP Signature	Fixed:50444653H	00H	07:00	53H	53H
		01H	15:08	46H	46H
		02H	23:16	44H	44H
		03H	31:24	50H	50H
SFDP Minor Revision Number	Start from 00H	04H	07:00	00H	00H
SFDP Major Revision Number	Start from 01H	05H	15:08	01H	01H
Number of Parameters Headers	Start from 00H	06H	23:16	01H	01H
Unused	Contains 0xFFH and can never be changed	07H	31:24	FFH	FFH
ID number (JEDEC)	00H: It indicates a JEDEC specified header	08H	07:00	00H	00H
Parameter Table Minor Revision Number	Start from 0x00H	09H	15:08	00H	00H
Parameter Table Major Revision Number	Start from 0x01H	0AH	23:16	01H	01H
Parameter Table Length (in double word)	How many DWORDs in the Parameter table	0BH	31:24	09H	09H
Parameter Table Pointer (PTP)	First address of JEDEC Flash Parameter table	0CH	07:00	30H	30H
		0DH	15:08	00H	00H
		0EH	23:16	00H	00H
Unused	Contains 0xFFH and can never be changed	0FH	31:24	FFH	FFH
ID Number LSB (GigaDevice Manufacturer ID)	It is indicates GigaDevice manufacturer ID	10H	07:00	C8H	C8H
Parameter Table Minor Revision Number	Start from 0x00H	11H	15:08	00H	00H
Parameter Table Major Revision Number	Start from 0x01H	12H	23:16	01H	01H
Parameter Table Length (in double word)	How many DWORDs in the Parameter table	13H	31:24	03H	03H
Parameter Table Pointer (PTP)	First address of GigaDevice Flash Parameter table	14H	07:00	60H	60H
		15H	15:08	00H	00H
		16H	23:16	00H	00H
Unused	Contains 0xFFH and can never be changed	17H	31:24	FFH	FFH

Table7. Parameter Table (0): JEDEC Flash Parameter Tables

Description	Comment	Add(H) (Byte)	DW Add (Bit)	Data	Data
Block/Sector Erase Size	00: Reserved; 01: 4KB erase; 10: Reserved; 11: not support 4KB erase	30H	01:00	01b	E5H
Write Granularity	0: 1Byte, 1: 64Byte or larger		02	1b	
Write Enable Instruction Requested for Writing to Volatile Status Registers	0: Nonvolatile status bit 1: Volatile status bit (BP status register bit)		03	0b	
Write Enable Opcode Select for Writing to Volatile Status Registers	0: Use 50H Opcode, 1: Use 06H Opcode, Note: If target flash status register is Nonvolatile, then bits 3 and 4 must be set to 00b.		04	0b	
Unused	Contains 111b and can never be changed		07:05	111b	
4KB Erase Opcode		31H	15:08	20H	20H
(1-1-2) Fast Read	0=Not support, 1=Support	32H	16	1b	F1H
Address Bytes Number used in addressing flash array	00: 3Byte only, 01: 3 or 4Byte, 10: 4Byte only, 11: Reserved		18:17	00b	
Double Transfer Rate (DTR) clocking	0=Not support, 1=Support		19	0b	
(1-2-2) Fast Read	0=Not support, 1=Support		20	1b	
(1-4-4) Fast Read	0=Not support, 1=Support		21	1b	
(1-1-4) Fast Read	0=Not support, 1=Support		22	1b	
Unused			23	1b	
Unused		33H	31:24	FFH	FFH
Flash Memory Density		37H:34H	31:00	003FFFFFFH(4Mb) 001FFFFFFH(2Mb) 000FFFFFFH(1Mb) 0007FFFFFFH(512Kb)	
(1-4-4) Fast Read Number of Wait states	0 0000b: Wait states (Dummy Clocks) not support	38H	04:00	00100b	44H
(1-4-4) Fast Read Number of Mode Bits	000b:Mode Bits not support		07:05	010b	
(1-4-4) Fast Read Opcode		39H	15:08	EBH	EBH
(1-1-4) Fast Read Number of Wait states	0 0000b: Wait states (Dummy Clocks) not support	3AH	20:16	01000b	08H
(1-1-4) Fast Read Number of Mode Bits	000b:Mode Bits not support		23:21	000b	
(1-1-4) Fast Read Opcode		3BH	31:24	6BH	6BH



1.8V Uniform Sector Dual and Quad Serial Flash

GD25LQ40C/20C/10C/05C

(1-1-2) Fast Read Number of Wait states	0 0000b: Wait states (Dummy Clocks) not support	3CH	04:00	01000b	08H
(1-1-2) Fast Read Number of Mode Bits	000b: Mode Bits not support		07:05	000b	
(1-1-2) Fast Read Opcode		3DH	15:08	3BH	3BH
(1-2-2) Fast Read Number of Wait states	0 0000b: Wait states (Dummy Clocks) not support	3EH	20:16	00010b	42H
(1-2-2) Fast Read Number of Mode Bits	000b: Mode Bits not support		23:21	010b	
(1-2-2) Fast Read Opcode		3FH	31:24	BBH	BBH
(2-2-2) Fast Read	0=not support 1=support	40H	00	0b	EEH
Unused			03:01	111b	
(4-4-4) Fast Read	0=not support 1=support		04	0b	
Unused			07:05	111b	
Unused		43H:41H	31:08	0xFFH	0xFFH
Unused		45H:44H	15:00	0xFFH	0xFFH
(2-2-2) Fast Read Number of Wait states	0 0000b: Wait states (Dummy Clocks) not support	46H	20:16	00000b	00H
(2-2-2) Fast Read Number of Mode Bits	000b: Mode Bits not support		23:21	000b	
(2-2-2) Fast Read Opcode		47H	31:24	FFH	FFH
Unused		49H:48H	15:00	0xFFH	0xFFH
(4-4-4) Fast Read Number of Wait states	0 0000b: Wait states (Dummy Clocks) not support	4AH	20:16	00000b	00H
(4-4-4) Fast Read Number of Mode Bits	000b: Mode Bits not support		23:21	000b	
(4-4-4) Fast Read Opcode		4BH	31:24	FFH	FFH
Sector Type 1 Size	Sector/block size= 2^N bytes 0x00b: this sector type don't exist	4CH	07:00	0CH	0CH
Sector Type 1 erase Opcode		4DH	15:08	20H	20H
Sector Type 2 Size	Sector/block size= 2^N bytes 0x00b: this sector type don't exist	4EH	23:16	0FH	0FH
Sector Type 2 erase Opcode		4FH	31:24	52H	52H
Sector Type 3 Size	Sector/block size= 2^N bytes 0x00b: this sector type don't exist	50H	07:00	10H	10H
Sector Type 3 erase Opcode		51H	15:08	D8H	D8H
Sector Type 4 Size	Sector/block size= 2^N bytes 0x00b: this sector type don't exist	52H	23:16	00H	00H
Sector Type 4 erase Opcode		53H	31:24	FFH	FFH



Table8. Parameter Table (1): GigaDevice Flash Parameter Tables

Description	Comment	Add(H) (Byte)	DW Add (Bit)	Data	Data
Vcc Supply Maximum Voltage	2000H=2.000V 2100H=2.100V 2700H=2.700V 3600H=3.600V	61H:60H	15:00	2100H	2100H
Vcc Supply Minimum Voltage	1650H=1.650V 2250H=2.250V 2350H=2.350V 2700H=2.700V	63H:62H	31:16	1650H	1650H
HW Reset# pin	0=not support 1=support	65H:64H	00	0b	F99EH
HW Hold# pin	0=not support 1=support		01	1b	
Deep Power Down Mode	0=not support 1=support		02	1b	
SW Reset	0=not support 1=support		03	1b	
SW Reset Opcode	Should be issue Reset Enable(66H) before Reset cmd.		11:04	99H	
Program Suspend/Resume	0=not support 1=support		12	1b	
Erase Suspend/Resume	0=not support 1=support		13	1b	
Unused			14	1b	
Wrap-Around Read mode	0=not support 1=support		15	1b	
Wrap-Around Read mode Opcode		66H	23:16	77H	77H
Wrap-Around Read data length	08H:support 8B wrap-around read 16H:8B&16B 32H:8B&16B&32B 64H:8B&16B&32B&64B	67H	31:24	64H	64H
Individual block lock	0=not support 1=support	6BH:68H	00	0b	EBFCH
Individual block lock bit (Volatile/Nonvolatile)	0=Volatile 1=Nonvolatile		01	0b	
Individual block lock Opcode			09:02	FFH	
Individual block lock Volatile protect bit default protect status	0=protect 1=unprotect		10	0b	
Secured OTP	0=not support 1=support		11	1b	
Read Lock	0=not support 1=support		12	0b	
Permanent Lock	0=not support 1=support		13	1b ⁽¹⁾	
Unused			15:14	11b	
Unused			31:16	FFFFH	

NOTE:

- GD25LQ40C/20C/10C/05CxxSx supports Permanent Lock. Please contact GigaDevice for details.

8 ELECTRICAL CHARACTERISTICS

8.1 POWER-ON TIMING

Figure38. Power-On Timing Sequence Diagram

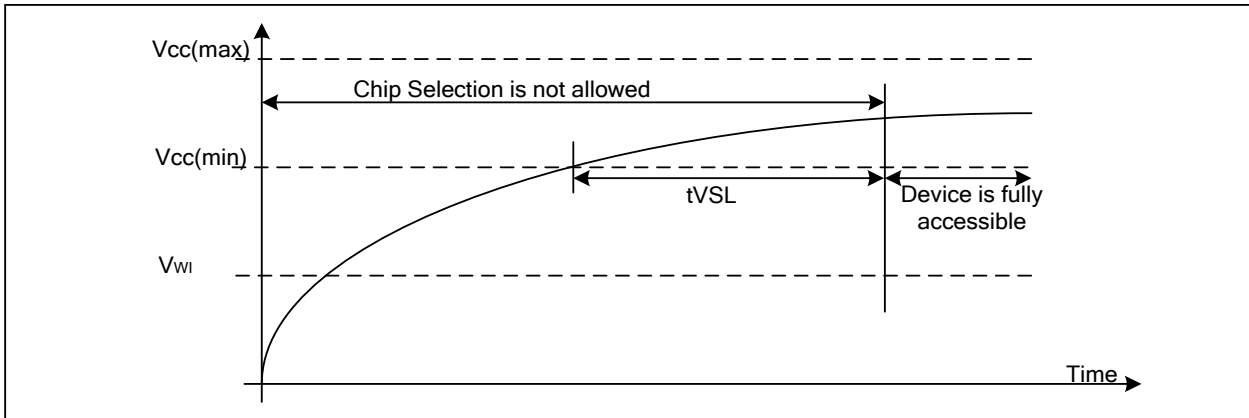


Table 9. Power-Up Timing and Write Inhibit Threshold

Symbol	Parameter	Min.	Max.	Unit
tVSL	VCC (min) To CS# Low	1.8		ms
VWI	Write Inhibit Voltage VCC (min)	1	1.4	V

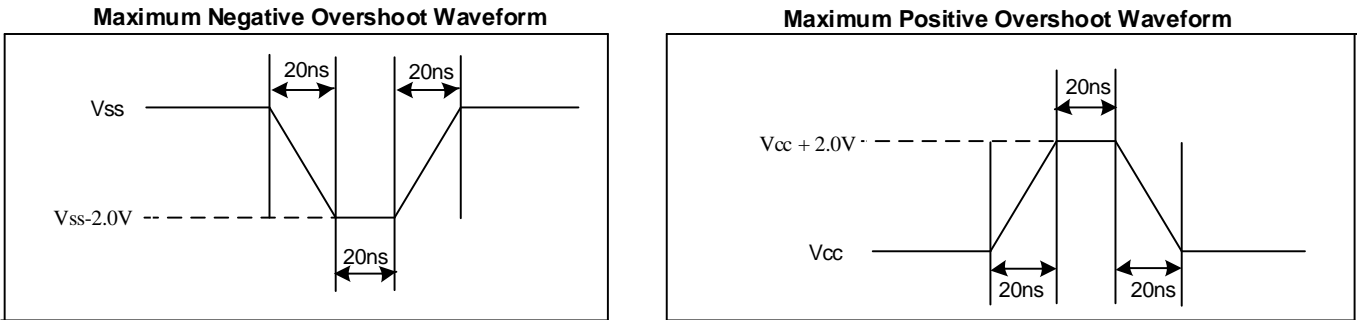
8.2 Initial Delivery State

The device is delivered with the memory array erased: all bits are set to 1 (each byte contains FFH). The Status Register contains 00H (all Status Register bits are 0).

8.3 Absolute Maximum Ratings

Parameter	Value	Unit
Ambient Operating Temperature	-40 to 85	°C
	-40 to 105	
	-40 to 125	
Storage Temperature	-65 to 150	°C
Transient Input/Output Voltage (note: overshoot)	-2.0 to VCC+2.0	V
Applied Input/Output Voltage	-0.6 to VCC+0.5	V
VCC	-0.6 to 2.5	V

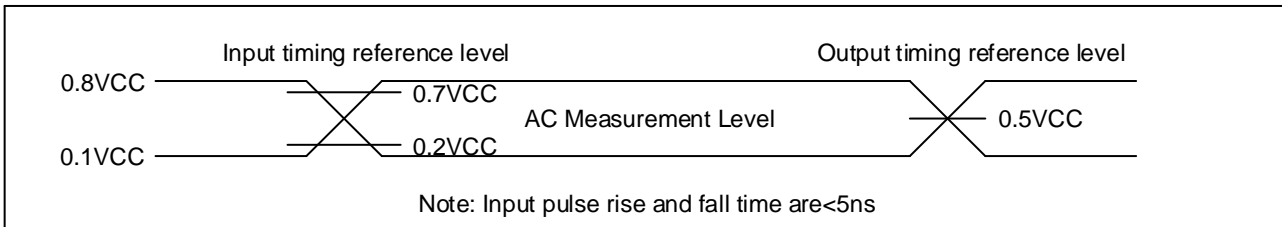
Figure39. Absolute Maximum Ratings Diagram



8.4 Capacitance Measurement Conditions

Symbol	Parameter	Min.	Typ.	Max.	Unit	Conditions
CIN	Input Capacitance			6	pF	VIN=0V
COUT	Output Capacitance			8	pF	VOUT=0V
CL	Load Capacitance	30			pF	
	Input Rise And Fall time			5	ns	
	Input Pause Voltage	0.1VCC to 0.8VCC			V	
	Input Timing Reference Voltage	0.2VCC to 0.7VCC			V	
	Output Timing Reference Voltage	0.5VCC			V	

Figure 40. Input Test Waveform and Measurement Level





8.5 DC CHARACTERISTICS

(T= -40°C~85°C, VCC=1.65~2.1V)

Symbol	Parameter	Test Condition	Min.	Typ.	Max.	Unit.
I _{LI}	Input Leakage Current				±2	μA
I _{LO}	Output Leakage Current				±2	μA
I _{CC1}	Standby Current	CS#=VCC, V _{IN} =VCC or VSS		9	28	μA
I _{CC2}	Deep Power-Down Current	CS#=VCC, V _{IN} =VCC or VSS		1	8	μA
I _{CC3}	Operating Current (Read)	CLK=0.1VCC/ 0.9VCC at 104MHz, Q=Open(*1, *2, *4 I/O)		10	13	mA
		CLK=0.1VCC/0.9VCC at 80MHz, Q=Open(*1, *2, *4 I/O)		8	10	mA
I _{CC4}	Operating Current (PP)	CS#=VCC		15	20	mA
I _{CC5}	Operating Current (WRSR)	CS#=VCC		15	20	mA
I _{CC6}	Operating Current (SE)	CS#=VCC		15	20	mA
I _{CC7}	Operating Current (BE)	CS#=VCC		15	20	mA
I _{CC8}	Operating Current (CE)	CS#=VCC		15	20	mA
V _{IL}	Input Low Voltage				0.2VCC	V
V _{IH}	Input High Voltage		0.7VCC			V
V _{OL}	Output Low Voltage	I _{OL} =100μA			0.2	V
V _{OH}	Output High Voltage	I _{OH} =-100μA	VCC-0.2			V

Note:

1. Typical values given for TA=25°C.
2. Value guaranteed by design and/or characterization, not 100% tested in production.



**1.8V Uniform Sector
Dual and Quad Serial Flash**

GD25LQ40C/20C/10C/05C

(T= -40°C~105°C, VCC=1.65~2.1V)

Symbol	Parameter	Test Condition	Min.	Typ.	Max.	Unit.
I _{LI}	Input Leakage Current				±2	μA
I _{LO}	Output Leakage Current				±2	μA
I _{CC1}	Standby Current	CS#=VCC, V _{IN} =VCC or VSS		9	50	μA
I _{CC2}	Deep Power-Down Current	CS#=VCC, V _{IN} =VCC or VSS		1	15	μA
I _{CC3}	Operating Current (Read)	CLK=0.1VCC / 0.9VCC at 90MHz, Q=Open(*1,*2,*4 I/O)		10	20	mA
		CLK=0.1VCC/ 0.9VCC at 80MHz, Q=Open(*1,*2,*4 I/O)		8	18	mA
I _{CC4}	Operating Current (PP)	CS#=VCC		15	30	mA
I _{CC5}	Operating Current (WRSR)	CS#=VCC		15	30	mA
I _{CC6}	Operating Current (SE)	CS#=VCC		15	30	mA
I _{CC7}	Operating Current (BE)	CS#=VCC		15	30	mA
I _{CC8}	Operating Current (CE)	CS#=VCC		15	30	mA
V _{IL}	Input Low Voltage				0.2VCC	V
V _{IH}	Input High Voltage		0.7VCC			V
V _{OL}	Output Low Voltage	I _{OL} =100μA			0.2	V
V _{OH}	Output High Voltage	I _{OH} =-100μA	VCC-0.2			V

Note:

1. Typical values given for TA=25°C.
2. Value guaranteed by design and/or characterization, not 100% tested in production.



(T= -40°C~125°C, VCC=1.65~2.1V)

Symbol	Parameter	Test Condition	Min.	Typ.	Max.	Unit.
I _{LI}	Input Leakage Current				±2	μA
I _{LO}	Output Leakage Current				±2	μA
I _{CC1}	Standby Current	CS#=VCC, V _{IN} =VCC or VSS		9	60	μA
I _{CC2}	Deep Power-Down Current	CS#=VCC, V _{IN} =VCC or VSS		1	20	μA
I _{CC3}	Operating Current (Read)	CLK=0.1VCC / 0.9VCC at 90MHz, Q=Open(*1,*2,*4 I/O)		10	20	mA
		CLK=0.1VCC/ 0.9VCC at 80MHz, Q=Open(*1,*2,*4 I/O)		8	18	mA
I _{CC4}	Operating Current (PP)	CS#=VCC		15	30	mA
I _{CC5}	Operating Current (WRSR)	CS#=VCC		15	30	mA
I _{CC6}	Operating Current (SE)	CS#=VCC		15	30	mA
I _{CC7}	Operating Current (BE)	CS#=VCC		15	30	mA
I _{CC8}	Operating Current (CE)	CS#=VCC		15	30	mA
V _{IL}	Input Low Voltage				0.2VCC	V
V _{IH}	Input High Voltage		0.7VCC			V
V _{OL}	Output Low Voltage	I _{OL} =100μA			0.2	V
V _{OH}	Output High Voltage	I _{OH} =-100μA	VCC-0.2			V

Note:

1. Typical values given for TA=25°C.
2. Value guaranteed by design and/or characterization, not 100% tested in production.



8.6 AC CHARACTERISTICS

(T= -40°C~85°C, VCC=1.65~2.1V, CL=30pf)

Symbol	Parameter	Min.	Typ.	Max.	Unit.
f _c	Serial Clock Frequency For: 0BH, 3BH, BBH, 6BH, EBH			104	MHz
f _R	Serial Clock Frequency For: Read (03H)			80	MHz
t _{CLH}	Serial Clock High Time	4			ns
t _{CLL}	Serial Clock Low Time	4			ns
t _{CLCH}	Serial Clock Rise Time (Slew Rate)	0.1			V/ns
t _{CHCL}	Serial Clock Fall Time (Slew Rate)	0.1			V/ns
t _{SLCH}	CS# Active Setup Time	5			ns
t _{CHSH}	CS# Active Hold Time	5			ns
t _{SHCH}	CS# Not Active Setup Time	5			ns
t _{CHSL}	CS# Not Active Hold Time	5			ns
t _{SHSL}	CS# High Time (Read/Write)	20			ns
t _{SHQZ}	Output Disable Time			6	ns
t _{CLQX}	Output Hold Time	1.2			ns
t _{DVCH}	Data In Setup Time	2			ns
t _{CHDX}	Data In Hold Time	2			ns
t _{HLCH}	Hold# Low Setup Time (Relative to Clock)	5			ns
t _{HHCH}	Hold# High Setup Time (Relative to Clock)	5			ns
t _{CHHL}	Hold# High Hold Time (Relative to Clock)	5			ns
t _{CHHH}	Hold# Low Hold Time (Relative to Clock)	5			ns
t _{HLQZ}	Hold# Low To High-Z Output			6	ns
t _{HHQX}	Hold# Low To Low-Z Output			6	ns
t _{CLQV}	Clock Low To Output Valid			7	ns
t _{WHSL}	Write Protect Setup Time Before CS# Low	20			ns
t _{SHWL}	Write Protect Hold Time After CS# High	100			ns
t _{DP}	CS# High To Deep Power-Down Mode			3	μs
t _{RES1}	CS# High To Standby Mode Without Electronic Signature Read			20	μs
t _{RES2}	CS# High To Standby Mode With Electronic Signature Read			20	μs
t _{SUS}	CS# High To Next Command After Suspend			20	μs
t _{RS}	Latency Between Resume And Next Suspend	100			μs
t _{RST}	CS# High To Next Command After Reset (Except from Erase)			30	μs
t _{RST_E}	CS# High To Next Command After Reset (From Erase)			12	ms
t _W	Write Status Register Cycle Time		1	20	ms
t _{BP1}	Byte Program Time (First Byte)		25	50	μs
t _{BP2}	Addition Byte Program Time (After First Byte)		2.5	5	μs



1.8V Uniform Sector Dual and Quad Serial Flash

GD25LQ40C/20C/10C/05C

t _{PP}	Page Programming Time		0.7	2.4	ms
t _{SE}	Sector Erase Time		40	300	ms
t _{BE1}	Block Erase Time (32K Bytes)		0.15	0.8	s
t _{BE2}	Block Erase Time (64K Bytes)		0.18	1	s
t _{CE}	Chip Erase Time (GD25LQ40C)		1.25	3	s
t _{CE}	Chip Erase Time (GD25LQ20C)		0.8	1.5	s
t _{CE}	Chip Erase Time (GD25LQ10C)		0.4	1	s
t _{CE}	Chip Erase Time (GD25LQ05C)		0.2	1	s

Note:

1. Typical values given for TA=25°C.
2. Value guaranteed by design and/or characterization, not 100% tested in production.



1.8V Uniform Sector Dual and Quad Serial Flash

GD25LQ40C/20C/10C/05C

(T= -40°C~105°C, VCC=1.65~2.1V, CL=30pf)

Symbol	Parameter	Min.	Typ.	Max.	Unit.
f _c	Serial Clock Frequency For: 0BH, 3BH, BBH, 6BH, EBH			90	MHz
f _R	Serial Clock Frequency For: Read (03H)			80	MHz
t _{CLH}	Serial Clock High Time	4			ns
t _{CLL}	Serial Clock Low Time	4			ns
t _{CLCH}	Serial Clock Rise Time (Slew Rate)	0.1			V/ns
t _{CHCL}	Serial Clock Fall Time (Slew Rate)	0.1			V/ns
t _{SLCH}	CS# Active Setup Time	5			ns
t _{CHSH}	CS# Active Hold Time	5			ns
t _{SHCH}	CS# Not Active Setup Time	5			ns
t _{CHSL}	CS# Not Active Hold Time	5			ns
t _{SHSL}	CS# High Time (read/write)	20			ns
t _{SHQZ}	Output Disable Time			6	ns
t _{CLQX}	Output Hold Time	1.2			ns
t _{DVCH}	Data In Setup Time	2			ns
t _{CHDX}	Data In Hold Time	2			ns
t _{HLCH}	Hold# Low Setup Time (Relative to Clock)	5			ns
t _{HHCH}	HOLD# High Setup Time (Relative to Clock)	5			ns
t _{CHHL}	Hold# High Hold Time (Relative to Clock)	5			ns
t _{CHHH}	Hold# Low Hold Time (Relative to Clock)	5			ns
t _{HLQZ}	Hold# Low To High-Z Output			6	ns
t _{HHQX}	Hold# Low To Low-Z Output			6	ns
t _{CLQV}	Clock Low To Output Valid			7	ns
t _{WHSL}	Write Protect Setup Time Before CS# Low	20			ns
t _{SHWL}	Write Protect Hold Time After CS# High	100			ns
t _{DP}	CS# High To Deep Power-Down Mode			3	μs
t _{RES1}	CS# High To Standby Mode Without Electronic Signature Read			20	μs
t _{RES2}	CS# High To Standby Mode With Electronic Signature Read			20	μs
t _{SUS}	CS# High To Next Command After Suspend			20	μs
t _{RS}	Latency Between Resume And Next Suspend	100			μs
t _{RST}	CS# High To Next Command After Reset (Except From Erase)			30	μs
t _{RST_E}	CS# High To Next Command After Reset (From Erase)			12	ms
t _W	Write Status Register Cycle Time		1	25	ms
t _{BP1}	Byte Program Time (First Byte)		25	80	μs
t _{BP2}	Addition Byte Program Time (After First Byte)		2.5	8	μs
t _{PP}	Page Programming Time		0.7	3	ms
t _{SE}	Sector Erase Time		40	400	ms



1.8V Uniform Sector Dual and Quad Serial Flash

GD25LQ40C/20C/10C/05C

t _{BE1}	Block Erase Time (32K Bytes)		0.15	1.2	s
t _{BE2}	Block Erase Time (64K Bytes)		0.18	2	s
t _{CE}	Chip Erase Time (GD25LQ40C)		1.25	5	s
t _{CE}	Chip Erase Time (GD25LQ20C)		0.8	2.5	s
t _{CE}	Chip Erase Time (GD25LQ10C)		0.4	1.5	s
t _{CE}	Chip Erase Time (GD25LQ05C)		0.2	1.5	s

Note:

2. Typical values given for TA=25°C.
3. Value guaranteed by design and/or characterization, not 100% tested in production.



1.8V Uniform Sector Dual and Quad Serial Flash

GD25LQ40C/20C/10C/05C

(T= -40°C~125°C, VCC=1.65~2.1V, CL=30pf)

Symbol	Parameter	Min.	Typ.	Max.	Unit.
f _c	Serial Clock Frequency For: 0BH, 3BH, BBH, 6BH, EBH			90	MHz
f _R	Serial Clock Frequency For: Read (03H)			80	MHz
t _{CLH}	Serial Clock High Time	4			ns
t _{CLL}	Serial Clock Low Time	4			ns
t _{CLCH}	Serial Clock Rise Time (Slew Rate)	0.1			V/ns
t _{CHCL}	Serial Clock Fall Time (Slew Rate)	0.1			V/ns
t _{SLCH}	CS# Active Setup Time	5			ns
t _{CHSH}	CS# Active Hold Time	5			ns
t _{SHCH}	CS# Not Active Setup Time	5			ns
t _{CHSL}	CS# Not Active Hold Time	5			ns
t _{SHSL}	CS# High Time (read/write)	20			ns
t _{SHQZ}	Output Disable Time			6	ns
t _{CLQX}	Output Hold Time	1.2			ns
t _{DVCH}	Data In Setup Time	2			ns
t _{CHDX}	Data In Hold Time	2			ns
t _{HLCH}	Hold# Low Setup Time (Relative to Clock)	5			ns
t _{HHCH}	HOLD# High Setup Time (Relative to Clock)	5			ns
t _{CHHL}	Hold# High Hold Time (Relative to Clock)	5			ns
t _{CHHH}	Hold# Low Hold Time (Relative to Clock)	5			ns
t _{HLQZ}	Hold# Low To High-Z Output			6	ns
t _{HHQX}	Hold# Low To Low-Z Output			6	ns
t _{CLQV}	Clock Low To Output Valid			7	ns
t _{WHSL}	Write Protect Setup Time Before CS# Low	20			ns
t _{SHWL}	Write Protect Hold Time After CS# High	100			ns
t _{DP}	CS# High To Deep Power-Down Mode			3	μs
t _{RES1}	CS# High To Standby Mode Without Electronic Signature Read			20	μs
t _{RES2}	CS# High To Standby Mode With Electronic Signature Read			20	μs
t _{SUS}	CS# High To Next Command After Suspend			20	μs
t _{RS}	Latency Between Resume And Next Suspend	100			μs
t _{RST}	CS# High To Next Command After Reset (Except From Erase)			30	μs
t _{RST_E}	CS# High To Next Command After Reset (From Erase)			12	ms
t _W	Write Status Register Cycle Time		1	25	ms
t _{BP1}	Byte Program Time (First Byte)		25	80	μs
t _{BP2}	Addition Byte Program Time (After First Byte)		2.5	8	μs
t _{PP}	Page Programming Time		0.7	4	ms
t _{SE}	Sector Erase Time		40	400	ms



1.8V Uniform Sector Dual and Quad Serial Flash

GD25LQ40C/20C/10C/05C

t _{BE1}	Block Erase Time (32K Bytes)		0.15	1.8	s
t _{BE2}	Block Erase Time (64K Bytes)		0.18	3.2	s
t _{CE}	Chip Erase Time (GD25LQ40C)		1.25	6	s
t _{CE}	Chip Erase Time (GD25LQ20C)		0.8	3	s
t _{CE}	Chip Erase Time (GD25LQ10C)		0.4	1.5	s
t _{CE}	Chip Erase Time (GD25LQ05C)		0.2	1.5	s

Note:

2. Typical values given for TA=25°C.
3. Value guaranteed by design and/or characterization, not 100% tested in production.

Figure41. Input Timing

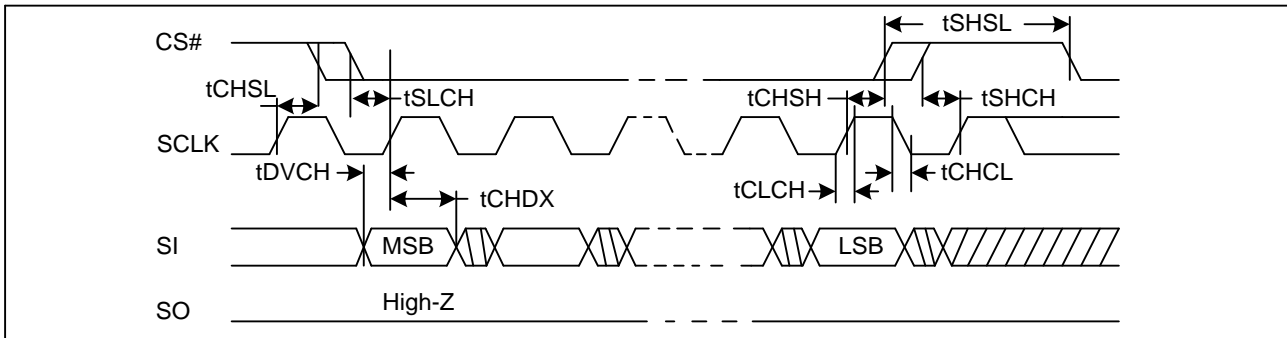


Figure42. Output Timing

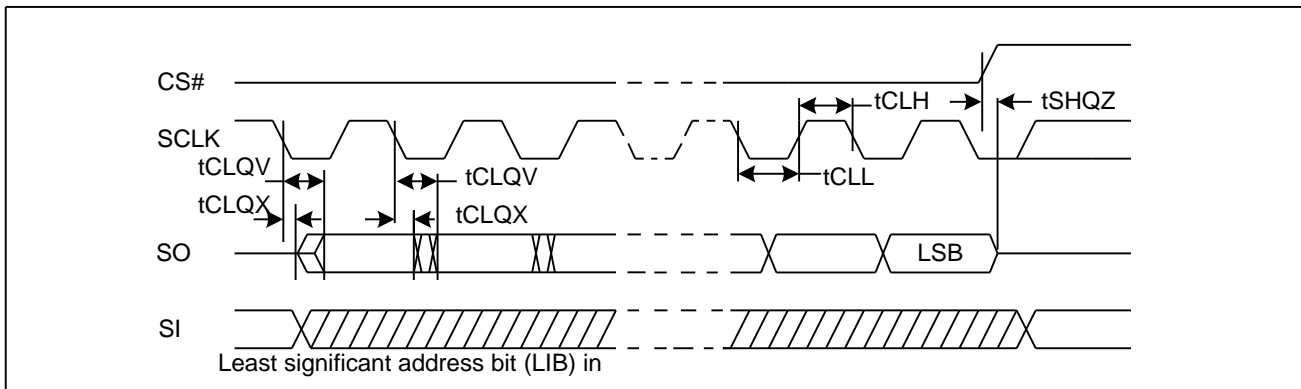


Figure 43. Resume to Suspend Timing Diagram

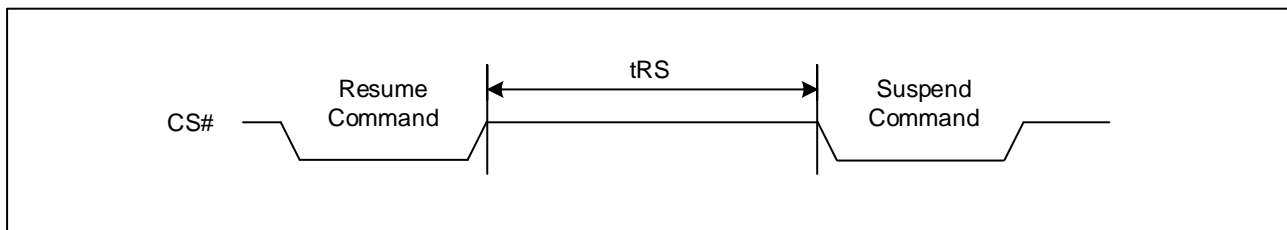
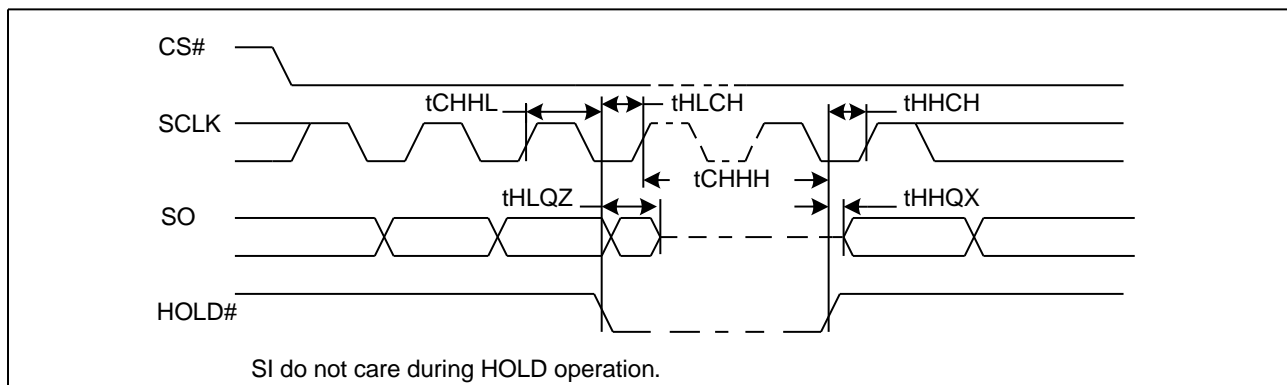


Figure44. Hold Timing





9 ORDERING INFORMATION

GD XX XX XX X X X X X

Packing

T or no mark: Tube
Y: Tray
R: Tape and Reel

Green Code

G: Pb Free + Halogen Free Green Package

Temperature Range

I: Industrial (-40°C to +85°C)
J: Industrial (-40°C to +105°C)
E: Industrial (-40°C to +125°C)
F: Industrial+ (-40°C to +85°C)
3: Automotive (-40°C to +85°C)*
2: Automotive (-40°C to +105°C)*
A: Automotive (-40°C to +125°C)*

Package Type

T: SOP8 150mil
S: SOP8 208mil
M: VSOP8 150mil
V: VSOP8 208mil
O: TSSOP8 173mil
E: USON8 (3x2mm, 0.45mm thickness)
H: USON8 (3x3mm)
N: USON8 (3x4mm)
Q: USON8 (4x4mm, 0.45mm thickness)
W: WSON8 (6x5mm)

Generation

C: C Version

Density

40: 4M bit
20: 2M bit
10: 1M bit
05: 512K bit

Series

LQ: 1.8V, 4KB Uniform Sector

Product Family

25: SPI Interface Flash

* Please contact GigaDevice sales for automotive products.



9.1 Valid Part Numbers

Please contact GigaDevice regional sales for the latest product selection and available form factors.

Temperature Range I: Industrial (-40°C to +85°C)

Product Number	Density	Package Type
GD25LQ40CTIG	4Mbit	SOP8 150mil
GD25LQ20CTIG	2Mbit	
GD25LQ10CTIG	1Mbit	
GD25LQ05CTIG	512Kbit	
GD25LQ40CSIG	4Mbit	SOP8 208mil
GD25LQ20CSIG	2Mbit	
GD25LQ10CSIG	1Mbit	
GD25LQ05CSIG	512Kbit	
GD25LQ40CMIG	4Mbit	VSOP8 150mil
GD25LQ20CMIG	2Mbit	
GD25LQ10CMIG	1Mbit	
GD25LQ05CMIG	512Kbit	
GD25LQ40CVIG	4Mbit	VSOP8 208mil
GD25LQ20CVIG	2Mbit	
GD25LQ10CVIG	1Mbit	
GD25LQ05CVIG	512Kbit	
GD25LQ40COIG	4Mbit	TSSOP8 173mil
GD25LQ20COIG	2Mbit	
GD25LQ10COIG	1Mbit	
GD25LQ05COIG	512Kbit	
GD25LQ40CEIG	4Mbit	USON8 (3x2mm, 0.45mm thickness)
GD25LQ20CEIG	2Mbit	
GD25LQ10CEIG	1Mbit	
GD25LQ05CEIG	512Kbit	
GD25LQ40CHIG	4Mbit	USON8 (3x3mm)
GD25LQ20CHIG	2Mbit	
GD25LQ10CHIG	1Mbit	
GD25LQ05CHIG	512Kbit	
GD25LQ40CNIG	4Mbit	USON8 (3x4mm)
GD25LQ20CNIG	2Mbit	
GD25LQ10CNIG	1Mbit	
GD25LQ05CNIG	512Kbit	
GD25LQ40CQIG	4Mbit	USON8 (4x4mm, 0.45mm thickness)
GD25LQ20CQIG	2Mbit	
GD25LQ10CQIG	1Mbit	
GD25LQ05CQIG	512Kbit	



**1.8V Uniform Sector
Dual and Quad Serial Flash**

GD25LQ40C/20C/10C/05C

GD25LQ40CWIG	4Mbit	WSO8 (6x5mm)
GD25LQ20CWIG	2Mbit	
GD25LQ10CWIG	1Mbit	
GD25LQ05CWIG	512Kbit	

Temperature Range J: Industrial (-40°C to +105°C)

Product Number	Density	Package Type
GD25LQ40CTJG	4Mbit	SOP8 150mil
GD25LQ20CTJG	2Mbit	
GD25LQ10CTJG	1Mbit	
GD25LQ05CTJG	512Kbit	
GD25LQ40CSJG	4Mbit	SOP8 208mil
GD25LQ20CSJG	2Mbit	
GD25LQ10CSJG	1Mbit	
GD25LQ05CSJG	512Kbit	
GD25LQ40CMJG	4Mbit	VSOP8 150mil
GD25LQ20CMJG	2Mbit	
GD25LQ10CMJG	1Mbit	
GD25LQ05CMJG	512Kbit	
GD25LQ40CVJG	4Mbit	VSOP8 208mil
GD25LQ20CVJG	2Mbit	
GD25LQ10CVJG	1Mbit	
GD25LQ05CVJG	512Kbit	
GD25LQ40COJG	4Mbit	TSSOP8 173mil
GD25LQ20COJG	2Mbit	
GD25LQ10COJG	1Mbit	
GD25LQ05COJG	512Kbit	
GD25LQ40CEJG	4Mbit	USO8 (3x2mm, 0.45mm thickness)
GD25LQ20CEJG	2Mbit	
GD25LQ10CEJG	1Mbit	
GD25LQ05CEJG	512Kbit	
GD25LQ40CHJG	4Mbit	USO8 (3x3mm)
GD25LQ20CHJG	2Mbit	
GD25LQ10CHJG	1Mbit	
GD25LQ05CHJG	512Kbit	
GD25LQ40CNJG	4Mbit	USO8 (3x4mm)
GD25LQ20CNJG	2Mbit	
GD25LQ10CNJG	1Mbit	
GD25LQ05CNJG	512Kbit	
GD25LQ40CQJG	4Mbit	USO8 (4x4mm, 0.45mm thickness)
GD25LQ20CQJG	2Mbit	



**1.8V Uniform Sector
Dual and Quad Serial Flash**

GD25LQ40C/20C/10C/05C

GD25LQ10CQJG	1Mbit	WSON8 (6x5mm)
GD25LQ05CQJG	512Kbit	
GD25LQ40CWJG	4Mbit	
GD25LQ20CWJG	2Mbit	
GD25LQ10CWJG	1Mbit	
GD25LQ05CWJG	512Kbit	

Temperature Range E: Industrial (-40°C to +125°C)

Product Number	Density	Package Type
GD25LQ40CTEG	4Mbit	SOP8 150mil
GD25LQ20CTEG	2Mbit	
GD25LQ10CTEG	1Mbit	
GD25LQ05CTEG	512Kbit	
GD25LQ40CSEG	4Mbit	SOP8 208mil
GD25LQ20CSEG	2Mbit	
GD25LQ10CSEG	1Mbit	
GD25LQ05CSEG	512Kbit	
GD25LQ40CMEG	4Mbit	VSOP8 150mil
GD25LQ20CMEG	2Mbit	
GD25LQ10CMEG	1Mbit	
GD25LQ05CMEG	512Kbit	
GD25LQ40CVEG	4Mbit	VSOP8 208mil
GD25LQ20CVEG	2Mbit	
GD25LQ10CVEG	1Mbit	
GD25LQ05CVEG	512Kbit	
GD25LQ40COEG	4Mbit	TSSOP8 173mil
GD25LQ20COEG	2Mbit	
GD25LQ10COEG	1Mbit	
GD25LQ05COEG	512Kbit	
GD25LQ40CEEG	4Mbit	USON8 (3x2mm, 0.45mm thickness)
GD25LQ20CEEG	2Mbit	
GD25LQ10CEEG	1Mbit	
GD25LQ05CEEG	512Kbit	
GD25LQ40CHEG	4Mbit	USON8 (3x3mm)
GD25LQ20CHEG	2Mbit	
GD25LQ10CHEG	1Mbit	
GD25LQ05CHEG	512Kbit	
GD25LQ40CNEG	4Mbit	USON8 (3x4mm)
GD25LQ20CNEG	2Mbit	
GD25LQ10CNEG	1Mbit	
GD25LQ05CNEG	512Kbit	



**1.8V Uniform Sector
Dual and Quad Serial Flash**

GD25LQ40C/20C/10C/05C

GD25LQ40CQEG	4Mbit	USON8 (4x4mm, 0.45mm thickness)
GD25LQ20CQEG	2Mbit	
GD25LQ10CQEG	1Mbit	
GD25LQ05CQEG	512Kbit	
GD25LQ40CWEG	4Mbit	WSON8 (6x5mm)
GD25LQ20CWEG	2Mbit	
GD25LQ10CWEG	1Mbit	
GD25LQ05CWEG	512Kbit	

Temperature Range F: Industrial+ (-40°C to +85°C)

Product Number	Density	Package Type
GD25LQ40CTFG	4Mbit	SOP8 150mil
GD25LQ20CTFG	2Mbit	
GD25LQ10CTFG	1Mbit	
GD25LQ05CTFG	512Kbit	
GD25LQ40CSFG	4Mbit	SOP8 208mil
GD25LQ20CSFG	2Mbit	
GD25LQ10CSFG	1Mbit	
GD25LQ05CSFG	512Kbit	
GD25LQ40CMFG	4Mbit	VSOP8 150mil
GD25LQ20CMFG	2Mbit	
GD25LQ10CMFG	1Mbit	
GD25LQ05CMFG	512Kbit	
GD25LQ40CVFG	4Mbit	VSOP8 208mil
GD25LQ20CVFG	2Mbit	
GD25LQ10CVFG	1Mbit	
GD25LQ05CVFG	512Kbit	
GD25LQ40COFG	4Mbit	TSSOP8 173mil
GD25LQ20COFG	2Mbit	
GD25LQ10COFG	1Mbit	
GD25LQ05COFG	512Kbit	
GD25LQ40CEFG	4Mbit	USON8 (3x2mm, 0.45mm thickness)
GD25LQ20CEFG	2Mbit	
GD25LQ10CEFG	1Mbit	
GD25LQ05CEFG	512Kbit	
GD25LQ40CHFG	4Mbit	USON8 (3x3mm)
GD25LQ20CHFG	2Mbit	
GD25LQ10CHFG	1Mbit	
GD25LQ05CHFG	512Kbit	
GD25LQ40CNFG	4Mbit	USON8 (3x4mm)
GD25LQ20CNFG	2Mbit	



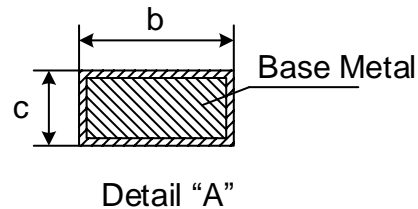
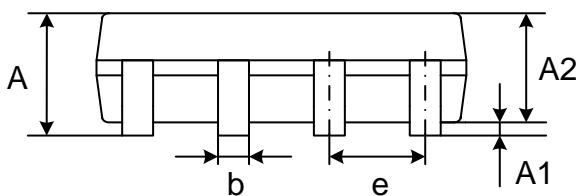
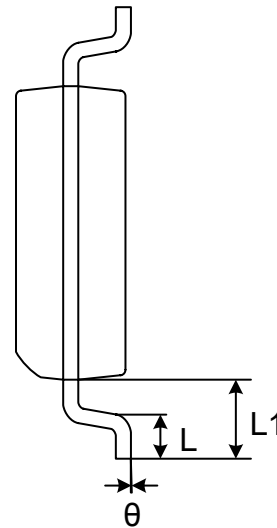
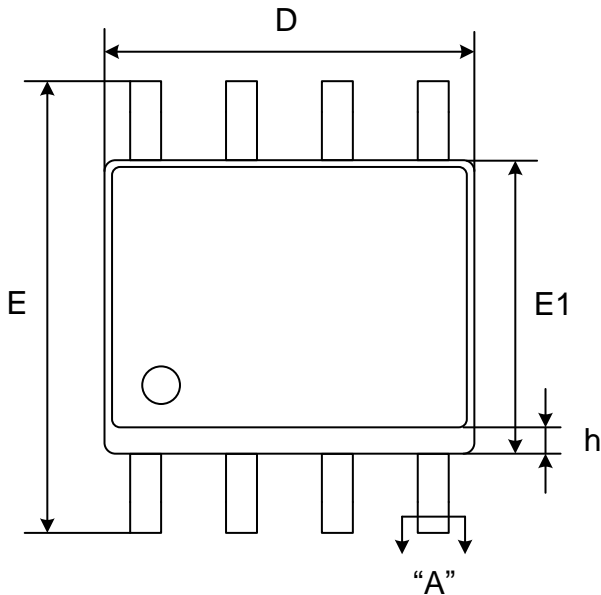
**1.8V Uniform Sector
Dual and Quad Serial Flash**

GD25LQ40C/20C/10C/05C

GD25LQ10CNFG	1Mbit	
GD25LQ05CNFG	512Kbit	
GD25LQ40CQFG	4Mbit	USON8 (4x4mm, 0.45mm thickness)
GD25LQ20CQFG	2Mbit	
GD25LQ10CQFG	1Mbit	
GD25LQ05CQFG	512Kbit	
GD25LQ40CWFG	4Mbit	
GD25LQ20CWFG	2Mbit	WSO8 (6x5mm)
GD25LQ10CWFG	1Mbit	
GD25LQ05CWFG	512Kbit	

10 PACKAGE INFORMATION

10.1 Package SOP8 150MIL



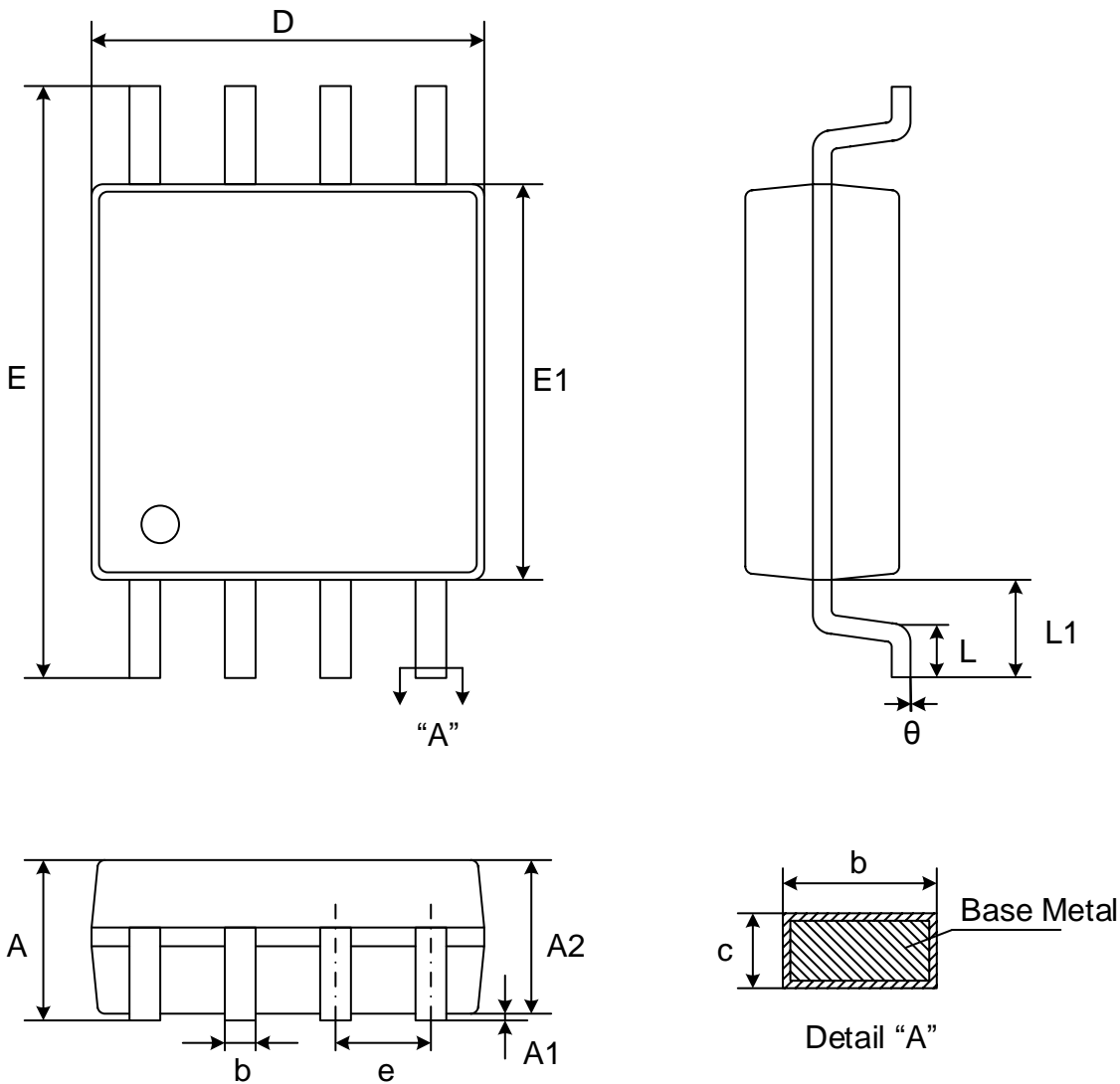
Dimensions

Symbol	A	A1	A2	b	c	D	E	E1	e	L	L1	h	θ		
Unit															
mm	Min	-	0.10	1.25	0.31	0.10	4.80	5.80	3.80	1.27	0.40	1.04	0.25	0°	
	Nom	-	0.15	1.45	0.41	0.20	4.90	6.00	3.90		-		-	-	-
	Max	1.75	0.25	1.55	0.51	0.25	5.00	6.20	4.00		0.90		0.50	8°	

Note:

- Both the package length and width include the mold flash.
- Seating plane: Max. 0.1mm.

10.2 Package SOP8 208MIL



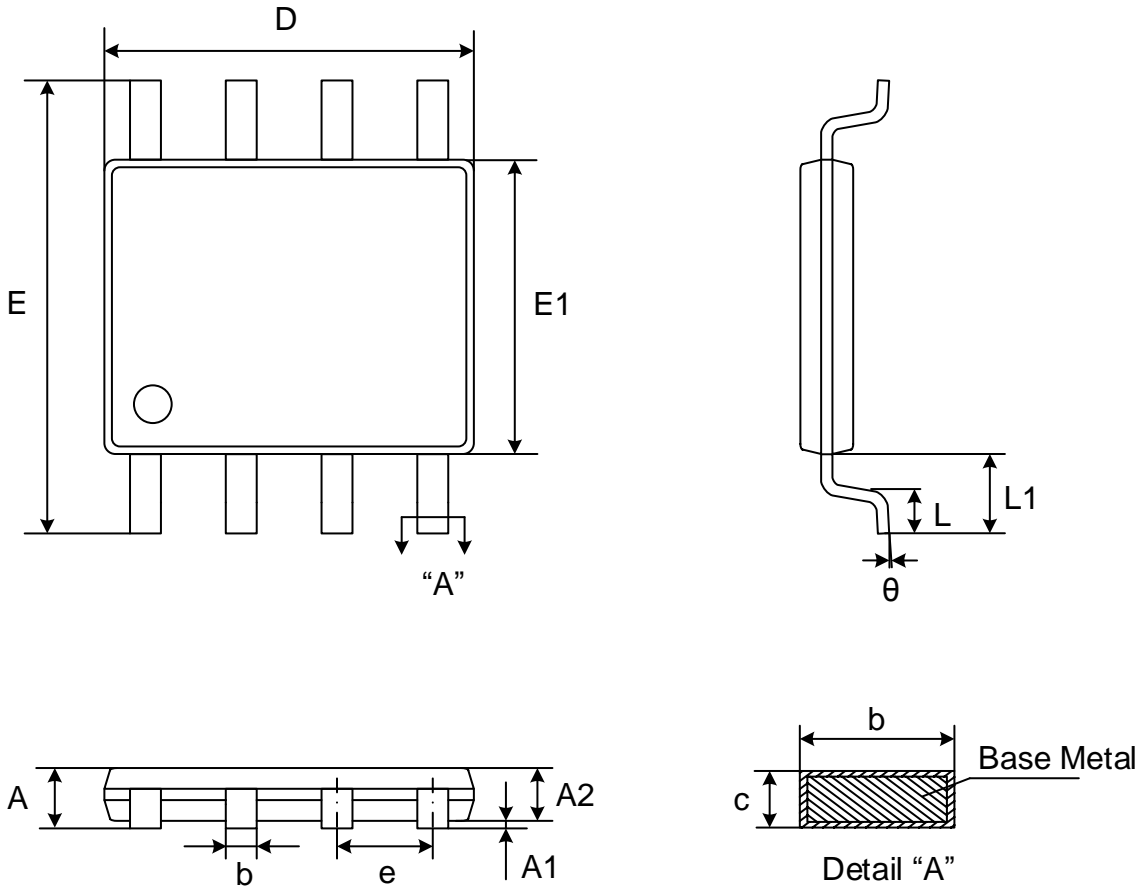
Dimensions

Symbol	A	A1	A2	b	c	D	E	E1	e	L	L1	θ	
Unit													
mm	Min	-	0.05	1.70	0.31	0.15	5.13	7.70	5.18	1.27	0.50	1.31	0°
	Nom	-	0.15	1.80	0.41	0.20	5.23	7.90	5.28		-		-
	Max	2.16	0.25	1.90	0.51	0.25	5.33	8.10	5.38		0.85		8°

Note:

- Both the package length and width do not include the mold flash.
- Seating plane: Max. 0.1mm.

10.3 Package VSOP8 150MIL



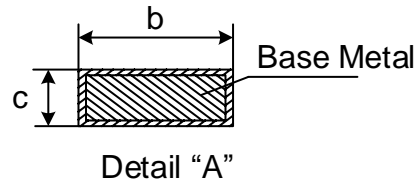
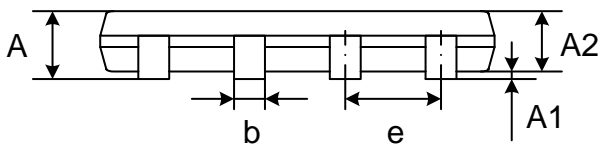
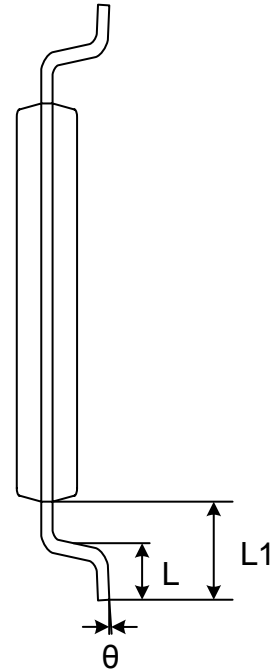
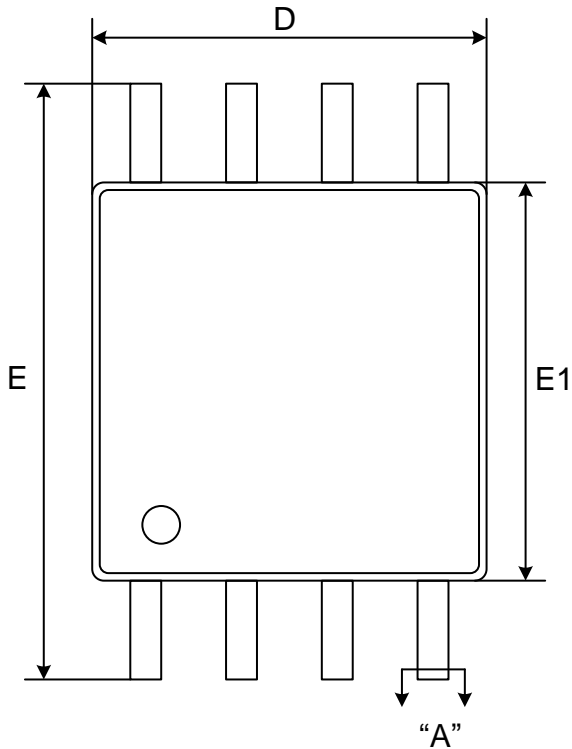
Dimensions

Symbol		A	A1	A2	b	c	D	E	E1	e	L	L1	θ
Unit													
mm	Min	-	0.05	0.63	0.31	0.13	4.80	5.80	3.80	1.27	0.40	1.04	0°
	Nom	-	0.10	-	0.41	0.15	4.90	6.00	3.90		-		-
	Max	0.90	0.15	0.75	0.51	0.18	5.00	6.20	4.00		0.90		10°

Note:

1. Both the package length and width do not include the mold flash.
2. Seating plane: Max. 0.1mm.

10.4 Package VSOP8 208MIL



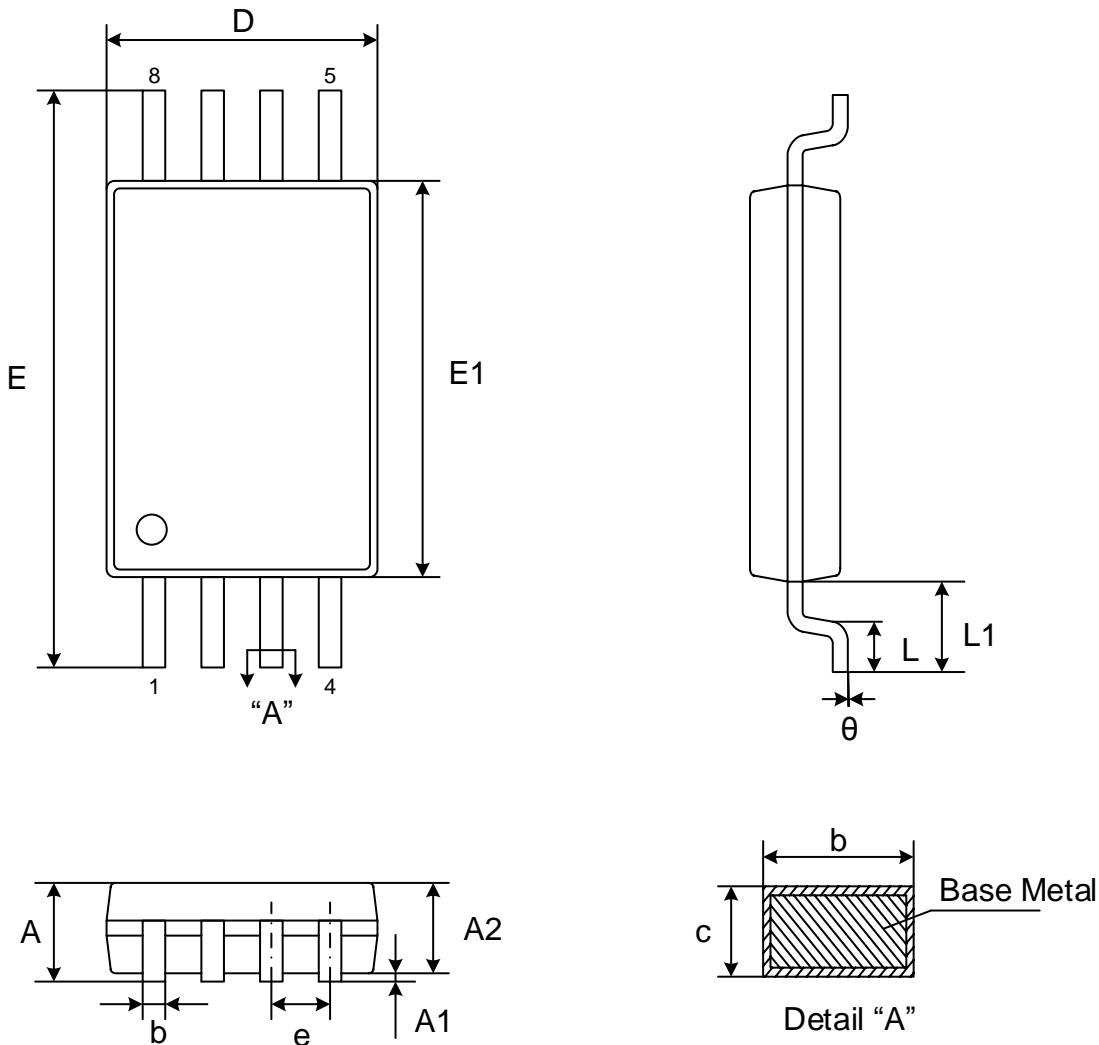
Dimensions

Symbol		A	A1	A2	b	c	D	E	E1	e	L	L1	θ
Unit													
mm	Min	-	0.05	0.75	0.35	0.09	5.18	7.70	5.18	1.27	0.50	1.31	0°
	Nom	-	0.10	0.80	0.42	0.15	5.28	7.90	5.28		-		-
	Max	1.00	0.15	0.85	0.50	0.20	5.38	8.10	5.38		0.80		10°

Note:

- Both the package length and width include the mold flash.
- Seating plane: Max. 0.1mm.

10.5 Package TSSOP8 173MIL



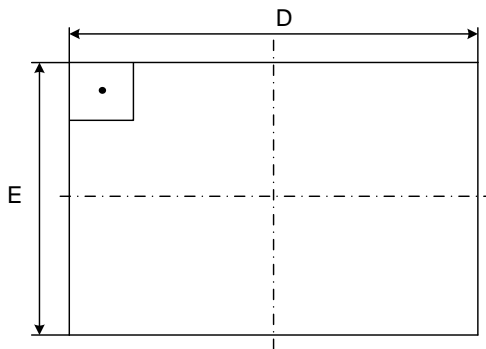
Dimensions

Symbol		A	A1	A2	b	c	D	E	E1	e	L	L1	θ
Unit													
mm	Min	-	0.05	0.80	0.19	0.09	2.90	6.20	4.30	0.65	0.45	1.00	0°
	Nom	-	0.10	1.00	0.25	0.15	3.00	6.40	4.40		-		-
	Max	1.20	0.15	1.05	0.30	0.20	3.10	6.60	4.50		0.75		8°

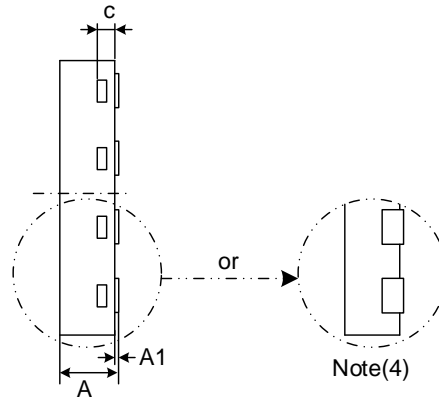
Notes:

- Both package length and width do not include mold flash.
- Seating plane: Max. 0.1mm.

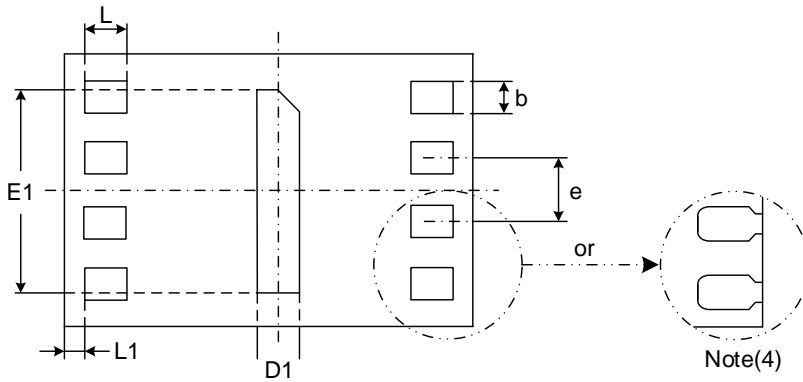
10.6 Package USON8 (3*2mm, 0.45mm thickness)



Top View



Side View



Bottom View

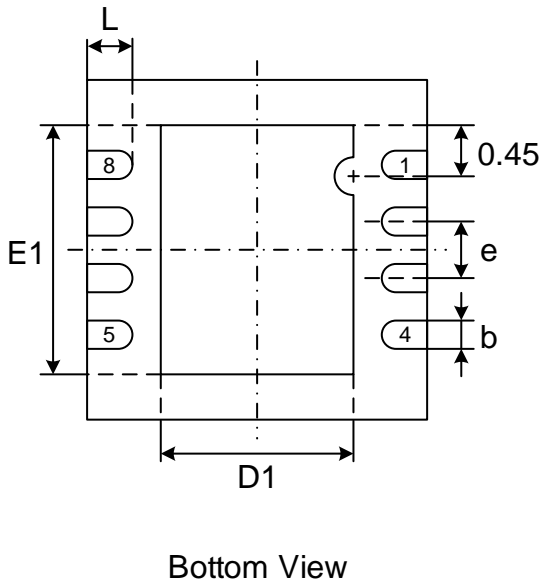
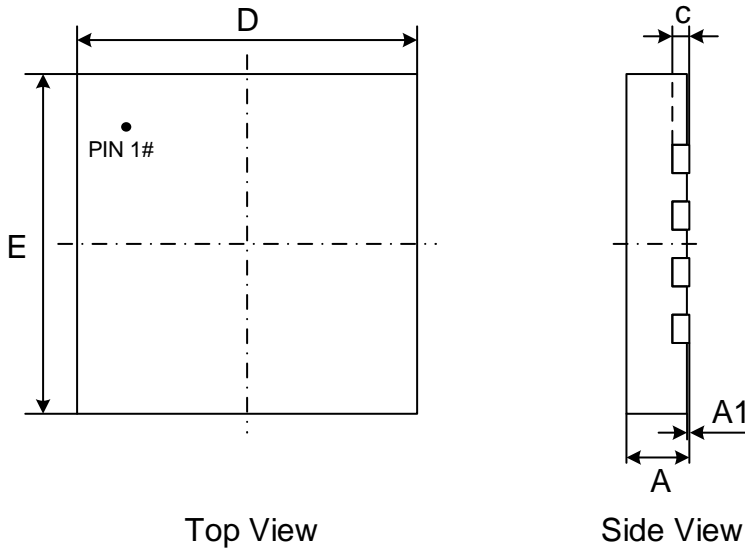
Dimensions

Symbol		A	A1	c	b	D	D1	E	E1	e	L	L1
Unit												
mm	Min	0.40	0.00	0.10	0.20	2.90	0.15	1.90	1.55	0.50	0.30	0.10
	Nom	0.45	0.02	0.15	0.25	3.00	0.20	2.00	1.60		0.35	
	Max	0.50	0.05	0.20	0.30	3.10	0.25	2.10	1.65		0.40	

Note:

1. Both the package length and width do not include the mold flash.
2. The exposed metal pad area on the bottom of the package is floating.
3. Coplanarity $\leq 0.08\text{mm}$. Package edge tolerance $\leq 0.10\text{mm}$.
4. The lead shape may be of little difference according to different package factories. These lead shapes are compatible with each other.

10.7 Package USON8 (3*3mm)



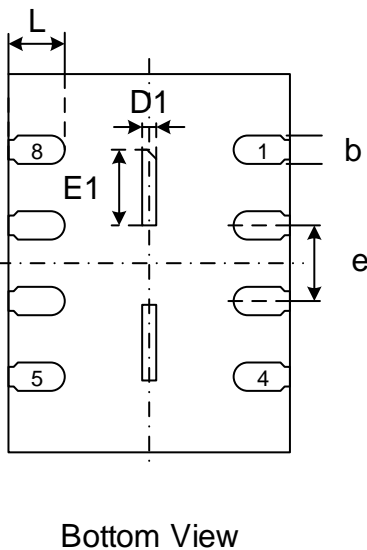
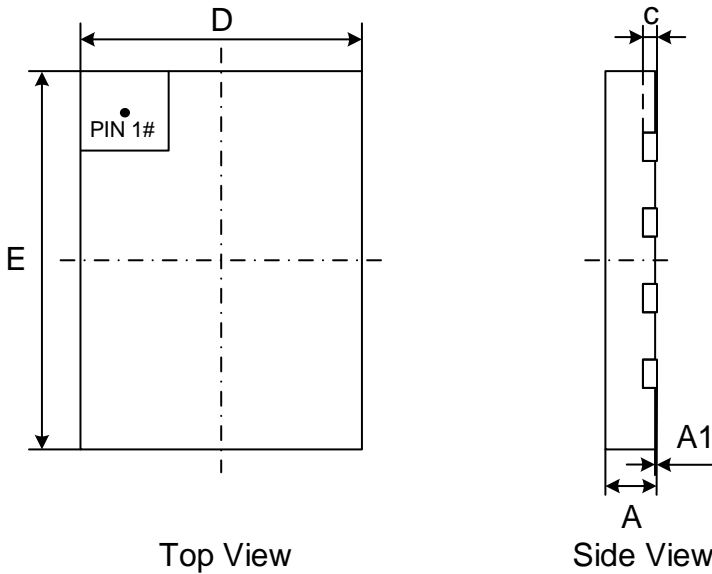
Dimensions

Symbol		A	A1	c	b	D	D1	E	E1	e	L
Unit											
mm	Min	0.50	0.00	0.10	0.20	2.90	1.60	2.90	2.10	0.50	0.35
	Nom	0.55	0.02	0.15	0.25	3.00	1.70	3.00	2.20		0.40
	Max	0.60	0.05	0.20	0.30	3.10	1.80	3.10	2.30		0.45

Note:

- Both the package length and width do not include the mold flash.
- The exposed metal pad area on the bottom of the package is floating.
- Coplanarity $\leq 0.08\text{mm}$. Package edge tolerance $\leq 0.10\text{mm}$.
- The lead shape may be of little difference according to different package factories. These lead shapes are compatible with each other.

10.8 Package USON8 (3*4mm)



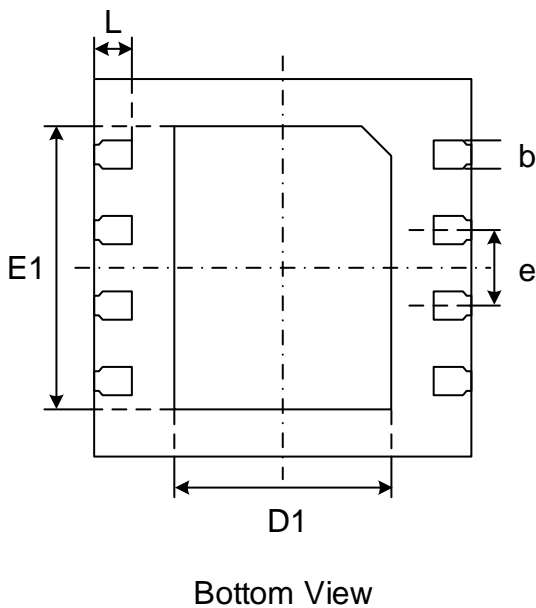
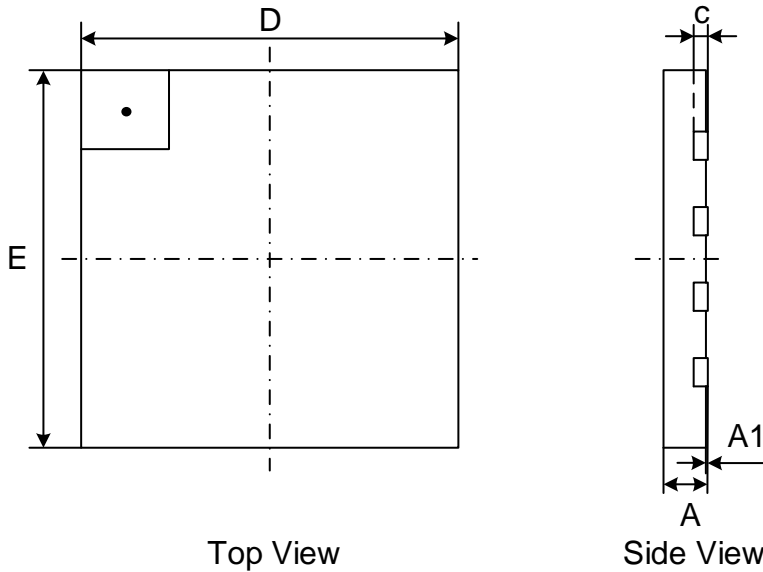
Dimensions

Symbol	A	A1	c	b	D	D1	E	E1	e	L	
Unit											
mm	Min	0.50	0.00	0.10	0.25	2.90	0.10	3.90	0.70	0.80	0.50
	Nom	0.55	0.02	0.15	0.30	3.00	0.20	4.00	0.80		0.60
	Max	0.60	0.05	0.20	0.35	3.10	0.30	4.10	0.90		0.70

Note:

1. Both the package length and width do not include the mold flash.
2. The exposed metal pad area on the bottom of the package is floating.
3. Coplanarity $\leq 0.08\text{mm}$. Package edge tolerance $\leq 0.10\text{mm}$.
4. The lead shape may be of little difference according to different package factories. These lead shapes are compatible with each other.

10.9 Package USON8 (4*4mm, 0.45mm thickness)



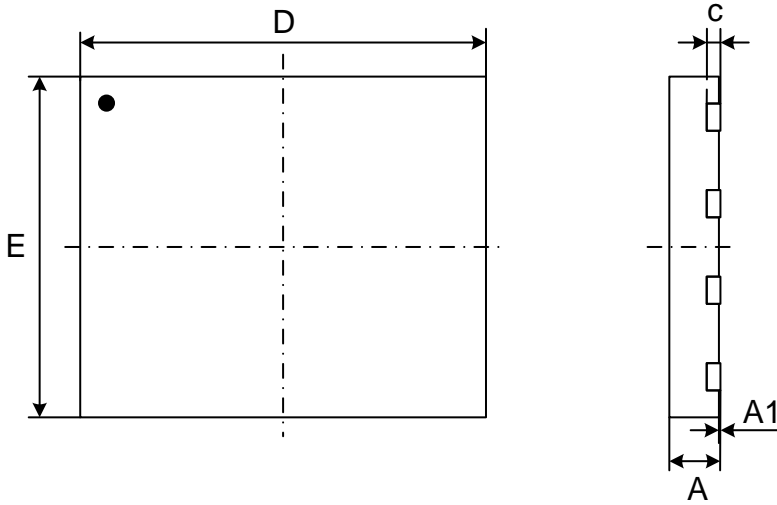
Dimensions

Symbol		A	A1	c	b	D	D1	E	E1	e	L
Unit											
mm	Min	0.40	0.00	0.10	0.25	3.90	2.20	3.90	2.90	0.80	0.35
	Nom	0.45	0.02	0.15	0.30	4.00	2.30	4.00	3.00		0.40
	Max	0.50	0.05	0.20	0.35	4.10	2.40	4.10	3.10		0.45

Note:

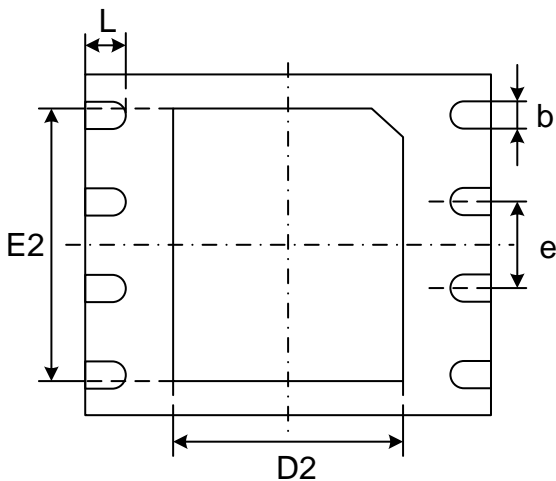
- Both the package length and width do not include the mold flash.
- The exposed metal pad area on the bottom of the package is floating.
- Coplanarity $\leq 0.08\text{mm}$. Package edge tolerance $\leq 0.10\text{mm}$.
- The lead shape may be of little difference according to different package factories. These lead shapes are compatible with each other..

10.10 Package WSON8 (6*5mm)



Top View

Side View



Bottom View

Dimensions

Symbol		A	A1	c	b	D	D2	E	E2	e	L
Unit											
mm	Min	0.70	0.00	0.180	0.35	5.90	3.30	4.90	3.90	1.27	0.50
	Nom	0.75	0.02	0.203	0.40	6.00	3.40	5.00	4.00		0.60
	Max	0.80	0.05	0.250	0.50	6.10	3.50	5.10	4.10		0.75

Note:

1. Both the package length and width do not include the mold flash.
2. The exposed metal pad area on the bottom of the package is floating.
3. Coplanarity $\leq 0.08\text{mm}$. Package edge tolerance $\leq 0.10\text{mm}$.
4. The lead shape may be of little difference according to different package factories. These lead shapes are compatible with each other.

11 REVISION HISTORY

Version No	Description	Page	Date
1.0	Initial Release	All	2017-11-13
1.1	Delete E7H command Add J,E,F,3,2 and A to the 6 th code of ordering information Update the description of SOP8 and VSOP8 packages	--- P53 P56-59	2018-2-6
1.2	Modify tVSL min value from 5ms to 1.8ms Modify Deep Power-Down Current max value from 5 μ A to 8 μ A Add tRS in AC CHARACTERISTIC, of which the min. value is 100us Add "E1" values to the dimension table of USON8 4x4 package	P48 P50 P52 P63	2018-5-17
1.3	Add 4BH command Modify Ordering Information Add TSSOP8 173mil Package Add DC/AC characteristics @-40 $^{\circ}$ C~105 $^{\circ}$ C Add DC/AC characteristics @-40 $^{\circ}$ C~125 $^{\circ}$ C	P1,19,40 P60-65 P70 P51/55-56 P52/57-58	2018-7-23
1.4	Modify Icc1 max value @-40 $^{\circ}$ C~85 $^{\circ}$ C from 25uA to 28uA Modify Icc2 max value @-40 $^{\circ}$ C~125 $^{\circ}$ C from 18uA to 20uA Modify tW max value @-40 $^{\circ}$ C~105 $^{\circ}$ C from 20ms to 25ms Modify tPP max value @-40 $^{\circ}$ C~105 $^{\circ}$ C from 2.4ms to 3ms Modify tSE max value @-40 $^{\circ}$ C~105 $^{\circ}$ C from 150/300ms to 400ms Modify tBE1 max value @-40 $^{\circ}$ C~105 $^{\circ}$ C from 0.8s to 1.2s Modify tBE2 max value @-40 $^{\circ}$ C~105 $^{\circ}$ C from 1s to 1.2s Modify tCE1 max value @-40 $^{\circ}$ C~105 $^{\circ}$ C from 3/1.5/1/1s to 5/2.5/1.5/1.5s Modify tBE1 max value @-40 $^{\circ}$ C~125 $^{\circ}$ C from 1.5s to 1.8s Modify tBE2 max value @-40 $^{\circ}$ C~125 $^{\circ}$ C from 2s to 3.2s Modify tCE1 max value @-40 $^{\circ}$ C~125 $^{\circ}$ C from 5/2.5/1/1s to 6/3/1.5/1.5s Remove tSE max value of 50K cycling	P51 P53 P56 P56 P56 P57 P57 P57 P59 P59 P59 P55, 56, 58	2018-10-23

Important Notice

This document is the property of GigaDevice Semiconductor (Beijing) Inc. and its subsidiaries (the "Company"). This document, including any product of the Company described in this document (the "Product"), is owned by the Company under the intellectual property laws and treaties of the People's Republic of China and other jurisdictions worldwide. The Company reserves all rights under such laws and treaties and does not grant any license under its patents, copyrights, trademarks, or other intellectual property rights. The names and brands of third party referred thereto (if any) are the property of their respective owner and referred to for identification purposes only.

The Company makes no warranty of any kind, express or implied, with regard to this document or any Product, including, but not limited to, the implied warranties of merchantability and fitness for a particular purpose. The Company does not assume any liability arising out of the application or use of any Product described in this document. Any information provided in this document is provided only for reference purposes. It is the responsibility of the user of this document to properly design, program, and test the functionality and safety of any application made of this information and any resulting product. Except for customized products which has been expressly identified in the applicable agreement, the Products are designed, developed, and/or manufactured for ordinary business, industrial, personal, and/or household applications only. The Products are not designed, intended, or authorized for use as components in systems designed or intended for the operation of weapons, weapons systems, nuclear installations, atomic energy control instruments, combustion control instruments, airplane or spaceship instruments, traffic signal instruments, life-support devices or systems, other medical devices or systems (including resuscitation equipment and surgical implants), pollution control or hazardous substances management, or other uses where the failure of the device or Product could cause personal injury, death, property or environmental damage ("Unintended Uses"). Customers shall take any and all actions to ensure using and selling the Products in accordance with the applicable laws and regulations. The Company is not liable, in whole or in part, and customers shall and hereby do release the Company as well as its suppliers and/or distributors from any claim, damage, or other liability arising from or related to all Unintended Uses of the Products. Customers shall indemnify and hold the Company as well as its suppliers and/or distributors harmless from and against all claims, costs, damages, and other liabilities, including claims for personal injury or death, arising from or related to any Unintended Uses of the Products.

Information in this document is provided solely in connection with the Products. The Company reserves the right to make changes, corrections, modifications or improvements to this document and the Products and services described herein at any time, without notice.

X-ON Electronics

Largest Supplier of Electrical and Electronic Components

Click to view similar products for [NOR Flash category](#):

Click to view products by [Gigadevice manufacturer](#):

Other Similar products are found below :

[615309A](#) [MBM29F200TC-70PFTN-SFLE1](#) [MBM29F800BA-90PF-SFLE1](#) [8 611 200 906](#) [9990933135](#) [AM29BL162CB-80RDPE1](#)
[AM29F200BB-90DPI 1](#) [AT25DF021A-MHN-Y](#) [AT25DF256-SSHN-T](#) [EAN62691701](#) [MX29F200CTMI-70G](#) [PC28F320J3F75A](#) [8 905 959](#)
[252](#) [S29AL008J55BFIR20](#) [S29AL016J70FFI022](#) [S29AS016J70BHIF40](#) [S99-50389 P](#) [AM29F016D-120DPI 1](#) [MBM29F400BC-](#)
[90PFVGTSFLE1](#) [MBM29F800BA-70PFTN-SFLE1](#) [AT25DF011-MAHN-T](#) [AT25DF011-SSHN-T](#) [AT25DF011-XMHN-T](#) [AT25DF041B-](#)
[MHN-Y](#) [AT45DB161E-CCUD-T](#) [RP-SDCCTH0](#) [S29PL127J70BAI020](#) [S99-50052](#) [MX25L6473EM2I-10G](#) [W29GL256SL9T](#)
[W29GL128CH9C](#) [W29GL128CH9B](#) [W29GL032CL7B](#) [MX25L3233FMI-08G](#) [S99-50243 P](#) [S29GL512T10DHI020](#) [S26KS128SDGBHI030](#)
[S26KL256SDABHB030](#) [S26KL128SDABHB020](#) [PC28F640J3F75B](#) [W29GL256SH9C](#) [S99-50239](#) [S29GL032N11FFIS12](#)
[S26KS512SDABHB030](#) [S26KL256SDABHA020](#) [S25FS128SAGMFV100](#) [S25FS064SDSNFN030](#) [S29AL016D90MAI020\(SPANSION\)](#)
[AM29F200BT-70EF\(SPANSION\)](#) [LE25S40MB-AH](#)