



# **GD25VQ80C**

# **DATASHEET**

## Contents

|   |           |
|---|-----------|
| <b>1. FEATURES .....</b>  | <b>4</b>  |
| <b>2. GENERAL DESCRIPTION .....</b>   | <b>5</b>  |
| <b>3. MEMORY ORGANIZATION.....</b>  | <b>7</b>  |
| <b>4. DEVICE OPERATION.....</b>   | <b>8</b>  |
| <b>5. DATA PROTECTION .....</b>   | <b>9</b>  |
| <b>6. STATUS REGISTER .....</b>   | <b>11</b> |
| <b>7. COMMANDS DESCRIPTION .....</b>  | <b>13</b> |
| 7.1. WRITE ENABLE (WREN) (06H) .....  | 16        |
| 7.2. WRITE DISABLE (WRDI) (04H).....  | 16        |
| 7.3. READ STATUS REGISTER (RDSR) (05H OR 35H).....  | 16        |
| 7.4. WRITE STATUS REGISTER (WRSR) (01H).....  | 17        |
| 7.5. WRITE ENABLE FOR VOLATILE STATUS REGISTER (50H) .....                                      | 17        |
| 7.6. READ DATA BYTES (READ) (03H) .....   | 18        |
| 7.7. READ DATA BYTES AT HIGHER SPEED (FAST READ) (0BH).....                                     | 18        |
| 7.8. DUAL OUTPUT FAST READ (3BH) .....  | 19        |
| 7.9. QUAD OUTPUT FAST READ (6BH) .....  | 19        |
| 7.10. DUAL I/O FAST READ (BBH) .....  | 20        |
| 7.11. QUAD I/O FAST READ (EBH).....   | 22        |
| 7.12. QUAD I/O WORD FAST READ (E7H) .....   | 23        |
| 7.13. SET BURST WITH WRAP (77H) .....   | 24        |
| 7.14. PAGE PROGRAM (PP) (02H) .....   | 24        |
| 7.15. QUAD PAGE PROGRAM (32H).....  | 25        |
| 7.16. SECTOR ERASE (SE) (20H) .....   | 26        |
| 7.17. 32KB BLOCK ERASE (BE) (52H) .....   | 27        |
| 7.18. 64KB BLOCK ERASE (BE) (D8H) .....   | 27        |
| 7.19. CHIP ERASE (CE) (60/C7H).....   | 28        |
| 7.20. DEEP POWER-DOWN (DP) (B9H).....   | 28        |
| 7.21. RELEASE FROM DEEP POWER-DOWN OR HIGH PERFORMANCE MODE AND READ DEVICE ID (RDI) (ABH)..... | 29        |
| 7.22. READ MANUFACTURE ID/ DEVICE ID (REMS) (90H) .....   | 30        |
| 7.23. READ IDENTIFICATION (RDID) (9FH) .....  | 31        |
| 7.24. HIGH PERFORMANCE MODE (HPM) (A3H).....  | 31        |
| 7.25. CONTINUOUS READ MODE RESET (CRMR) (FFH) .....   | 32        |
| 7.26. PROGRAM/ERASE SUSPEND (PES) (75H).....  | 33        |
| 7.27. PROGRAM/ERASE RESUME (PER) (7AH).....   | 33        |
| 7.28. ERASE SECURITY REGISTERS (44H).....   | 34        |
| 7.29. PROGRAM SECURITY REGISTERS (42H).....   | 34        |
| 7.30. READ SECURITY REGISTERS (48H).....  | 35        |
| 7.31. ENABLE RESET (66H) AND RESET (99H) .....  | 36        |
| 7.32. READ SERIAL FLASH DISCOVERABLE PARAMETER (5AH).....                                       | 36        |



---

|  |           |
|--|-----------|
| <b>8. ELECTRICAL CHARACTERISTICS .....</b>         | <b>41</b> |
| 8.1. POWER-ON TIMING .....                         | 41        |
| 8.2. INITIAL DELIVERY STATE.....                   | 41        |
| 8.3. ABSOLUTE MAXIMUM RATINGS .....                | 41        |
| 8.4. CAPACITANCE MEASUREMENT CONDITIONS.....       | 42        |
| 8.5. DC CHARACTERISTICS.....                       | 43        |
| 8.6. AC CHARACTERISTICS.....                       | 44        |
| <b>9. ORDERING INFORMATION.....</b>                | <b>47</b> |
| 9.1. VALID PART NUMBERS .....                      | 48        |
| <b>10. PACKAGE INFORMATION.....</b>                | <b>49</b> |
| 10.1 PACKAGE SOP8 150MIL .....                     | 49        |
| 10.2 PACKAGE SOP8 208MIL .....                     | 50        |
| 10.3 PACKAGE DIP8 300MIL.....                      | 51        |
| 10.4 PACKAGE USON8 (3X2MM, 0.45MM THICKNESS) ..... | 52        |
| 10.5 PACKAGE USON8 (3X4MM) .....                   | 53        |
| <b>11. REVISION HISTORY.....</b>                   | <b>54</b> |

## 1. FEATURES

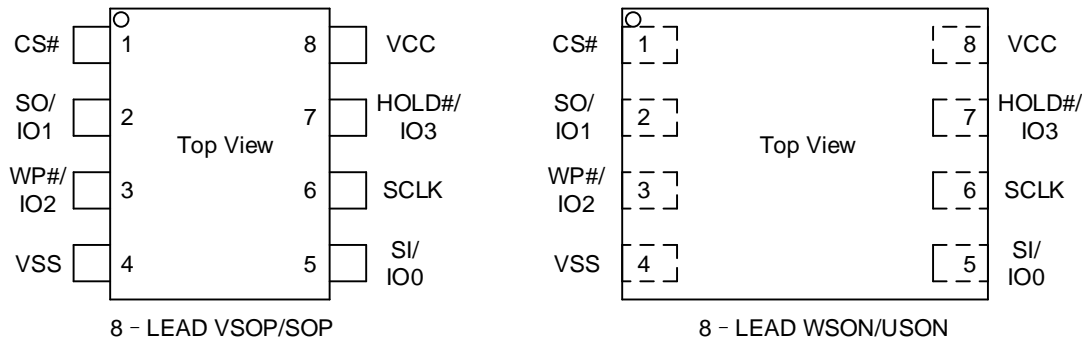
- ◆ 8M-bit Serial Flash
  - 1024K-byte
  - 256 bytes per programmable page
- ◆ Standard, Dual, Quad SPI
  - Standard SPI: SCLK, CS#, SI, SO, WP#, HOLD#
  - Dual SPI: SCLK, CS#, IO0, IO1, WP#, HOLD#
  - Quad SPI: SCLK, CS#, IO0, IO1, IO2, IO3
- ◆ High Speed Clock Frequency
  - 104MHz for fast read with 30PF load
  - Dual I/O Data transfer up to 208Mbits/s
  - Quad I/O Data transfer up to 416Mbits/s
- ◆ Software/Hardware Write Protection
  - Write protect all/portion of memory via software
  - Enable/Disable protection with WP# Pin
  - Top/Bottom Block protection
- ◆ Minimum 100,000 Program/Erase Cycles
- ◆ Data retention
  - 20-year data retention typical
- ◆ Fast Program/Erase Speed
  - Page Program time: 0.7ms typical
  - Sector Erase time: 50ms typical
  - Block Erase time: 0.15/0.25s typical
  - Chip Erase time: 5s typical
- ◆ Flexible Architecture
  - Uniform Sector of 4K-byte
  - Uniform Block of 32/64k-byte
- ◆ Low Power Consumption
  - 1 $\mu$ A typical deep power down current
  - 1 $\mu$ A typical standby current
- ◆ Advanced Security Features<sup>(1)</sup>
  - 128-Bit Unique ID for each device
  - 4\*256-Byte Security Registers With OTP Locks
  - Discoverable parameters(SFDP) register
- ◆ Single Power Supply Voltage
  - Full voltage range:2.3~3.6V

Note: 1.Please contact GigaDevice for details.

## 2. GENERAL DESCRIPTION

The GD25VQ80C (8M-bit) Serial flash supports the standard Serial Peripheral Interface (SPI), and supports the Dual/Quad SPI: Serial Clock, Chip Select, Serial Data I/O0 (SI), I/O1 (SO), I/O2 (WP#), and I/O3 (HOLD#). The Dual I/O data is transferred with speed of 208Mbits/s and the Quad I/O & Quad output data is transferred with speed of 416Mbits/s.

### CONNECTION DIAGRAM

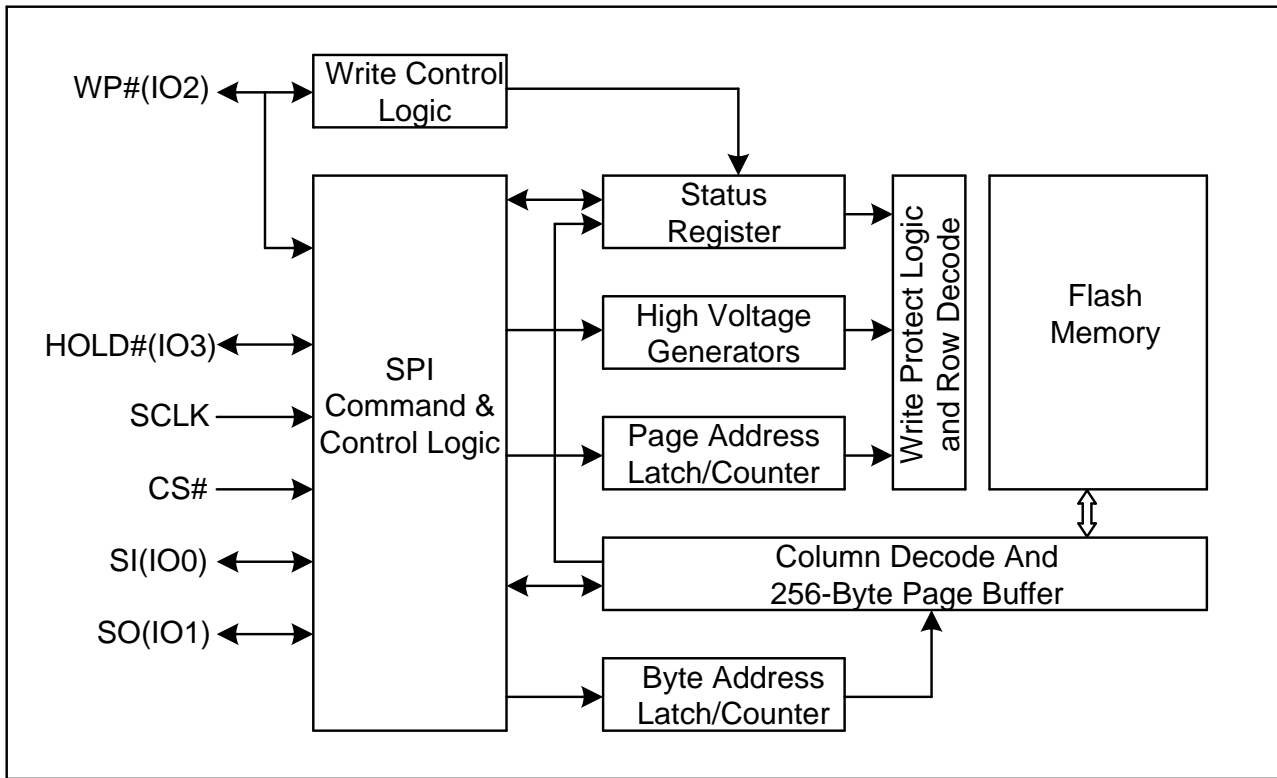


### PIN DESCRIPTION

| Pin Name           | I/O | Description                               |
|--------------------|-----|---|
| <b>CS#</b>         | I   | Chip Select Input                         |
| <b>SO (IO1)</b>    | I/O | Data Output (Data Input Output 1)         |
| <b>WP# (IO2)</b>   | I/O | Write Protect Input (Data Input Output 2) |
| <b>VSS</b>         |     | Ground                                    |
| <b>SI (IO0)</b>    | I/O | Data Input (Data Input Output 0)          |
| <b>SCLK</b>        | I   | Serial Clock Input                        |
| <b>HOLD# (IO3)</b> | I/O | Hold Input (Data Input Output 3)          |
| <b>VCC</b>         |     | Power Supply                              |

Note: CS# must be driven high if the chip is not selected. Please don't leave CS# floating any time after power is on.

BLOCK DIAGRAM





### 3. MEMORY ORGANIZATION

#### GD25VQ80C

| Each device has | Each block has | Each sector has | Each page has |         |
|-----------------|----------------|-----------------|---------------|---------|
| 1M              | 64/32K         | 4K              | 256           | bytes   |
| 4K              | 256/128        | 16              | -             | pages   |
| 256             | 16/8           | -               | -             | sectors |
| 16/32           | -              | -               | -             | blocks  |

#### UNIFORM BLOCK SECTOR ARCHITECTURE

##### GD25VQ80C 64K Bytes Block Sector Architecture

| Block | Sector | Address range |           |
|-------|--------|---------------|-----------|
| 15    | 255    | 0FF000H       | 0FFFFFFH  |
|       | .....  | .....         | .....     |
|       | 240    | 0F0000H       | 0F0FFFFH  |
| 14    | 239    | 0EF000H       | 0EFFFFFFH |
|       | .....  | .....         | .....     |
|       | 224    | 0E0000H       | 0E0FFFFH  |
| ..... | .....  | .....         | .....     |
|       | .....  | .....         | .....     |
|       | .....  | .....         | .....     |
| ..... | .....  | .....         | .....     |
|       | .....  | .....         | .....     |
|       | .....  | .....         | .....     |
| 2     | 47     | 02F000H       | 02FFFFFFH |
|       | .....  | .....         | .....     |
|       | 32     | 020000H       | 020FFFFH  |
| 1     | 31     | 01F000H       | 01FFFFFFH |
|       | .....  | .....         | .....     |
|       | 16     | 010000H       | 010FFFFH  |
| 0     | 15     | 00F000H       | 00FFFFFFH |
|       | .....  | .....         | .....     |
|       | 0      | 000000H       | 000FFFFH  |

## 4. DEVICE OPERATION

### SPI Mode

#### Standard SPI

The GD25VQ80C features a serial peripheral interface on 4 signals bus: Serial Clock (SCLK), Chip Select (CS#), Serial Data Input (SI) and Serial Data Output (SO). Both SPI bus mode 0 and 3 are supported. Input data is latched on the rising edge of SCLK and data shifts out on the falling edge of SCLK.

#### Dual SPI

The GD25VQ80C supports Dual SPI operation when using the “Dual Output Fast Read” and “Dual I/O Fast Read” (3BH and BBH) commands. These commands allow data to be transferred to or from the device at two times the rate of the standard SPI. When using the Dual SPI command the SI and SO pins become bidirectional I/O pins: IO0 and IO1.

#### Quad SPI

The GD25VQ80C supports Quad SPI operation when using the “Quad Output Fast Read” (6BH), “Quad I/O Fast Read”(EBH), “Quad I/O Word Fast Read” (E7H) and “Quad Page Program” (32H) commands. These commands allow data to be transferred to or from the device at four times the rate of the standard SPI. When using the Quad SPI command the SI and SO pins become bidirectional I/O pins: IO0 and IO1, and WP# and HOLD# pins become IO2 and IO3. Quad SPI commands require the non-volatile Quad Enable bit (QE) in Status Register to be set.

### Hold

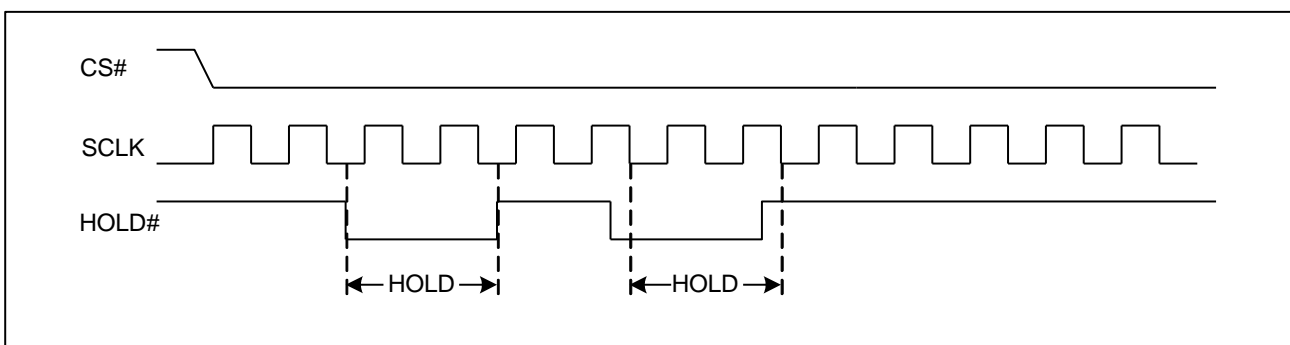
The HOLD# function is only available when QE=0, If QE=1, The HOLD# functions is disabled, the pin acts as dedicated data I/O pin.

The HOLD# signal goes low to stop any serial communications with the device, but doesn't stop the operation of write status register, programming, or erasing in progress.

The operation of HOLD, need CS# keep low, and starts on falling edge of the HOLD# signal, with SCLK signal being low (if SCLK is not being low, HOLD operation will not start until SCLK being low). The HOLD condition ends on rising edge of HOLD# signal with SCLK being low (If SCLK is not being low, HOLD operation will not end until SCLK being low).

The SO is high impedance, both SI and SCLK don't care during the HOLD operation, if CS# drives high during HOLD operation, it will reset the internal logic of the device. To re-start communication with chip, the HOLD# must be at high and then CS# must be at low.

**Figure 1. Hold Condition**





## 5. DATA PROTECTION

The GD25VQ80C provide the following data protection methods:

- ◆ Write Enable (WREN) command: The WREN command is set the Write Enable Latch bit (WEL). The WEL bit will return to reset by the following situation:
  - Power-Up
  - Write Disable (WRDI)
  - Write Status Register (WRSR)
  - Page Program (PP)
  - Sector Erase (SE) / Block Erase (BE) / Chip Erase (CE)
- ◆ Software Protection Mode: The Block Protect (BP4, BP3, BP2, BP1, and BP0) bits define the section of the memory array that can be read but not change.
- ◆ Hardware Protection Mode: WP# going low to protected the BP0~BP4 bits and SRP0~1 bits.
- ◆ Deep Power-Down Mode: In Deep Power-Down Mode, all commands are ignored except the Release from Deep Power-Down Mode command.

**Table1.0 GD25VQ80C Protected area size (CMP=0)**

| Status Register Content |     |     |     |     | Memory Content |                  |         |              |
|-------------------------|-----|-----|-----|-----|----------------|------------------|---------|--------------|
| BP4                     | BP3 | BP2 | BP1 | BP0 | Blocks         | Addresses        | Density | Portion      |
| X                       | X   | 0   | 0   | 0   | NONE           | NONE             | NONE    | NONE         |
| 0                       | 0   | 0   | 0   | 1   | 15             | 0F0000H-0FFFFFFH | 64KB    | Upper 1/16   |
| 0                       | 0   | 0   | 1   | 0   | 14to 15        | 0E0000H-0FFFFFFH | 128KB   | Upper 1/8    |
| 0                       | 0   | 0   | 1   | 1   | 12to 15        | 0C0000H-0FFFFFFH | 256KB   | Upper 1/4    |
| 0                       | 0   | 1   | 0   | 0   | 8 to 15        | 080000H-0FFFFFFH | 512KB   | Upper 1/2    |
| 0                       | 1   | 0   | 0   | 1   | 0              | 000000H-00FFFFH  | 64KB    | Lower 1/16   |
| 0                       | 1   | 0   | 1   | 0   | 0 to 1         | 000000H-01FFFFH  | 128KB   | Lower 1/8    |
| 0                       | 1   | 0   | 1   | 1   | 0 to 3         | 000000H-03FFFFH  | 256KB   | Lower 1/4    |
| 0                       | 1   | 1   | 0   | 0   | 0 to 7         | 000000H-07FFFFH  | 512KB   | Lower 1/2    |
| 0                       | X   | 1   | 0   | 1   | 0 to 15        | 000000H-0FFFFFFH | 1MB     | ALL          |
| X                       | X   | 1   | 1   | X   | 0 to 15        | 000000H-0FFFFFFH | 1MB     | ALL          |
| 1                       | 0   | 0   | 0   | 1   | 15             | 0FF000H-0FFFFFFH | 4KB     | Top Block    |
| 1                       | 0   | 0   | 1   | 0   | 15             | 0FE000H-0FFFFFFH | 8KB     | Top Block    |
| 1                       | 0   | 0   | 1   | 1   | 15             | 0FC000H-0FFFFFFH | 16KB    | Top Block    |
| 1                       | 0   | 1   | 0   | X   | 15             | 0F8000H-0FFFFFFH | 32KB    | Top Block    |
| 1                       | 1   | 0   | 0   | 1   | 0              | 000000H-000FFFH  | 4KB     | Bottom Block |
| 1                       | 1   | 0   | 1   | 0   | 0              | 000000H-001FFFH  | 8KB     | Bottom Block |
| 1                       | 1   | 0   | 1   | 1   | 0              | 000000H-003FFFH  | 16KB    | Bottom Block |
| 1                       | 1   | 1   | 0   | X   | 0              | 000000H-007FFFH  | 32KB    | Bottom Block |



**Table1.1 GD25VQ80C Protected area size (CMP=1)**

| Status Register Content |     |     |     |     | Memory Content |                   |         |             |
|-------------------------|-----|-----|-----|-----|----------------|-------------------|---------|-------------|
| BP4                     | BP3 | BP2 | BP1 | BP0 | Blocks         | Addresses         | Density | Portion     |
| X                       | X   | 0   | 0   | 0   | 0 to 15        | 000000H-0FFFFFFH  | 1M      | ALL         |
| 0                       | 0   | 0   | 0   | 1   | 0 to 14        | 000000H-0EFFFFFFH | 960KB   | Lower 15/16 |
| 0                       | 0   | 0   | 1   | 0   | 0 to 13        | 000000H-0DFFFFFFH | 896KB   | Lower 7/8   |
| 0                       | 0   | 0   | 1   | 1   | 0 to 11        | 000000H-0BFFFFFFH | 768KB   | Lower 3/4   |
| 0                       | 0   | 1   | 0   | 0   | 0 to 7         | 000000H-07FFFFFFH | 512KB   | Lower 1/2   |
| 0                       | 1   | 0   | 0   | 1   | 1 to 15        | 010000H-0FFFFFFH  | 960KB   | Upper 15/16 |
| 0                       | 1   | 0   | 1   | 0   | 2 to 15        | 020000H-0FFFFFFH  | 896KB   | Upper 7/8   |
| 0                       | 1   | 0   | 1   | 1   | 4 to 15        | 040000H-0FFFFFFH  | 768KB   | Upper 3/4   |
| 0                       | 1   | 1   | 0   | 0   | 8 to 15        | 080000H-0FFFFFFH  | 512KB   | Upper 1/2   |
| 0                       | X   | 1   | 0   | 1   | NONE           | NONE              | NONE    | NONE        |
| X                       | X   | 1   | 1   | X   | NONE           | NONE              | NONE    | NONE        |
| 1                       | 0   | 0   | 0   | 1   | 0 to 15        | 000000H-0FEFFFFH  | 1020KB  | L - 255/256 |
| 1                       | 0   | 0   | 1   | 0   | 0 to 15        | 000000H-0FDFFFFH  | 1016KB  | L - 127/128 |
| 1                       | 0   | 0   | 1   | 1   | 0 to 15        | 000000H-0FBFFFFH  | 1008KB  | L - 63/64   |
| 1                       | 0   | 1   | 0   | X   | 0 to 15        | 000000H-0F7FFFFH  | 992KB   | L - 31/32   |
| 1                       | 1   | 0   | 0   | 1   | 0 to 15        | 001000H-0FFFFFFH  | 1020KB  | U - 255/156 |
| 1                       | 1   | 0   | 1   | 0   | 0 to 15        | 002000H-0FFFFFFH  | 1016KB  | U - 127/128 |
| 1                       | 1   | 0   | 1   | 1   | 0 to 15        | 004000H-0FFFFFFH  | 1008KB  | U - 63/64   |
| 1                       | 1   | 1   | 0   | X   | 0 to 15        | 008000H-0FFFFFFH  | 992KB   | U - 31/32   |

## 6. STATUS REGISTER

|            |            |            |                 |                 |            |           |             |
|------------|------------|------------|-----------------|-----------------|------------|-----------|-------------|
| <b>S15</b> | <b>S14</b> | <b>S13</b> | <b>S12</b>      | <b>S11</b>      | <b>S10</b> | <b>S9</b> | <b>S8</b>   |
| <b>SUS</b> | <b>CMP</b> | <b>HPF</b> | <b>Reserved</b> | <b>Reserved</b> | <b>LB</b>  | <b>QE</b> | <b>SRP1</b> |

|             |            |            |            |            |            |            |            |
|-------------|------------|------------|------------|------------|------------|------------|------------|
| <b>S7</b>   | <b>S6</b>  | <b>S5</b>  | <b>S4</b>  | <b>S3</b>  | <b>S2</b>  | <b>S1</b>  | <b>S0</b>  |
| <b>SRP0</b> | <b>BP4</b> | <b>BP3</b> | <b>BP2</b> | <b>BP1</b> | <b>BP0</b> | <b>WEL</b> | <b>WIP</b> |

The status and control bits of the Status Register are as follows:

### WIP bit.

The Write in Progress (WIP) bit indicates whether the memory is busy in program/erase/write status register progress. When WIP bit sets to 1, means the device is busy in program/erase/write status register progress, when WIP bit sets 0, means the device is not in program/erase/write status register progress.

### WEL bit.

The Write Enable Latch (WEL) bit indicates the status of the internal Write Enable Latch. When set to 1 the internal Write Enable Latch is set, when set to 0 the internal Write Enable Latch is reset and no Write Status Register, Program or Erase command is accepted.

### BP4, BP3, BP2, BP1, BP0 bits.

The Block Protect (BP4, BP3, BP2, BP1, and BP0) bits are non-volatile. They define the size of the area to be software protected against Program and Erase commands. These bits are written with the Write Status Register (WRSR) command. When the Block Protect (BP4, BP3, BP2, BP1, BP0) bits are set to 1, the relevant memory area (as defined in Table1).becomes protected against Page Program (PP), Sector Erase (SE) and Block Erase (BE) commands. The Block Protect (BP4, BP3, BP2, BP1, and BP0) bits can be written provided that the Hardware Protected mode has not been set. The Chip Erase (CE) command is executed, only if the Block Protect (BP2, BP1, and BP0) bits are 0 and CMP=0.

### SRP1, SRP0 bits.

The Status Register Protect (SRP1 and SRP0) bits are non-volatile Read/Write bits in the status register. The SRP bits control the method of write protection: software protection, hardware protection, power supply lock-down or one time programmable protection.

| <b>SRP1</b> | <b>SRP0</b> | <b>#WP</b> | <b>Status Register</b>           | <b>Description</b>  |
|-------------|-------------|------------|----------------------------------|---|
| 0           | 0           | X          | Software Protected               | The Status Register can be written to after a Write Enable command, WEL=1.(Default)                     |
| 0           | 1           | 0          | Hardware Protected               | WP#=0, the Status Register locked and can not be written to.  |
| 0           | 1           | 1          | Hardware Unprotected             | WP#=1, the Status Register is unlocked and can be written to after a Write Enable command, WEL=1.       |
| 1           | 0           | X          | Power Supply Lock-Down(1)<br>(2) | Status Register is protected and can not be written to again until the next Power-Down, Power-Up cycle. |
| 1           | 1           | X          | One Time Program(2)              | Status Register is permanently protected and can not be written to.                                     |

### NOTE:

1. When SRP1, SRP0= (1, 0), a Power-Down, Power-Up cycle will change SRP1, SRP0 to (0, 0) state.
2. This feature is available on special order. Please contact GigaDevice for details.



**QE bit.**

The Quad Enable (QE) bit is a non-volatile Read/Write bit in the Status Register that allows Quad operation. When the QE bit is set to 0 (Default) the WP# pin and HOLD# pin are enable. When the QE pin is set to 1, the Quad IO2 and IO3 pins are enabled. (The QE bit should never be set to 1 during standard SPI or Dual SPI operation if the WP# or HOLD# pins are tied directly to the power supply or ground)

**LB bit.**

The LB bit is a non-volatile One Time Program (OTP) bit in Status Register (S10) that provide the write protect control and status to the Security Registers. The default state of LB is 0, the security registers are unlocked. LB can be set to 1 individually using the Write Register instruction. LB is One Time Programmable, once it's set to 1, the Security Registers will become read-only permanently.

**CMP bit**

The CMP bit is a non-volatile Read/Write bit in the Status Register (S14). It is used in conjunction the BP4-BP0 bits to provide more flexibility for the array protection. Please see the Status registers Memory Protection table for details. The default setting is CMP=0.

**HPF bit**

The High Performance Flag (HPF) bit indicates the status of High Performance Mode (HPM). When HPF bit sets to 1, it means the device is in High Performance Mode, when HPF bit sets 0 (default), it means the device is not in High Performance Mode.

**SUS bit**

The SUS bit is a read only bit in the status register (S15) that is set to 1 after executing an Erase/Program Suspend (75H) command. The SUS bit is cleared to 0 by Erase/Program Resume (7AH) command as well as a power-down, power-up cycle.

## 7. COMMANDS DESCRIPTION

All commands, addresses and data are shifted in and out of the device, beginning with the most significant bit on the first rising edge of SCLK after CS# is driven low. Then, the one-byte command code must be shifted in to the device, most significant bit first on SI, each bit being latched on the rising edges of SCLK.

See Table2, every command sequence starts with a one-byte command code. Depending on the command, this might be followed by address bytes, or by data bytes, or by both or none. CS# must be driven high after the last bit of the command sequence has been shifted in. For the commands of Read, Fast Read, Read Status Register or Release from Deep Power-Down, and Read Device ID, the shifted-in command sequence is followed by a data-out sequence. All read instruction can be completed after any bit of the data-out sequence is being shifted out, and then CS# must be driven high to return to deselected status.

For the commands of Page Program, Sector Erase, Block Erase, Chip Erase, Write Status Register, Write Enable, Write Disable or Deep Power-Down command, CS# must be driven high exactly at a byte boundary, otherwise the command is rejected, and is not executed. That means CS# must be driven high when the number of clock pulses after CS# being driven low is an exact multiple of eight. For Page Program, if CS# is driven high at any time the input byte is not a full byte, nothing will happen and WEL will not be reset.

**Table2. Commands (Standard/Dual/Quad SPI)**

| Command Name                              | Byte 1     | Byte 2                         | Byte 3                        | Byte 4                 | Byte 5  | Byte 6                 | n-Bytes      |
|---|------------|--------------------------------|-------------------------------|------------------------|---------|------------------------|--------------|
| Write Enable                              | 06H        |                                |                               |                        |         |                        |              |
| Write Disable                             | 04H        |                                |                               |                        |         |                        |              |
| Volatile SR<br>Write Enable               | 50H        |                                |                               |                        |         |                        |              |
| Read Status Register                      | 05H        | (S7-S0)                        |                               |                        |         |                        | (continuous) |
| Read Status Register-1                    | 35H        | (S15-S8)                       |                               |                        |         |                        | (continuous) |
| Write Status Register                     | 01H        | S7-S0                          | S15-S8                        |                        |         |                        |              |
| Read Data                                 | 03H        | A23-A16                        | A15-A8                        | A7-A0                  | (D7-D0) | (Next byte)            | (continuous) |
| Fast Read                                 | 0BH        | A23-A16                        | A15-A8                        | A7-A0                  | dummy   | (D7-D0)                | (continuous) |
| Dual Output<br>Fast Read                  | 3BH        | A23-A16                        | A15-A8                        | A7-A0                  | dummy   | (D7-D0) <sup>(1)</sup> | (continuous) |
| Dual I/O<br>Fast Read                     | BBH        | A23-A8 <sup>(2)</sup>          | A7-A0<br>M7-M0 <sup>(2)</sup> | (D7-D0) <sup>(1)</sup> |         |                        | (continuous) |
| Quad Output<br>Fast Read                  | 6BH        | A23-A16                        | A15-A8                        | A7-A0                  | dummy   | (D7-D0) <sup>(3)</sup> | (continuous) |
| Quad I/O<br>Fast Read                     | EBH        | A23-A0<br>M7-M0 <sup>(4)</sup> | dummy <sup>(5)</sup>          | (D7-D0) <sup>(3)</sup> |         |                        | (continuous) |
| Quad I/O Word<br>Fast Read <sup>(7)</sup> | E7H        | A23-A0<br>M7-M0 <sup>(4)</sup> | dummy <sup>(6)</sup>          | (D7-D0) <sup>(3)</sup> |         |                        | (continuous) |
| Continuous Read Mode<br>Reset             | FFH        |                                |                               |                        |         |                        |              |
| Page Program                              | 02 H       | A23-A16                        | A15-A8                        | A7-A0                  | D7-D0   | Next byte              |              |
| Quad Page Program                         | 32H        | A23-A16                        | A15-A8                        | A7-A0                  | D7-D0   |                        |              |
| Sector Erase                              | 20H        | A23-A16                        | A15-A8                        | A7-A0                  |         |                        |              |
| Block Erase(32K)                          | 52H        | A23-A16                        | A15-A8                        | A7-A0                  |         |                        |              |
| Block Erase(64K)                          | D8H        | A23-A16                        | A15-A8                        | A7-A0                  |         |                        |              |
| Chip Erase                                | C7/60<br>H |                                |                               |                        |         |                        |              |
| Enable Reset                              | 66H        |                                |                               |                        |         |                        |              |
| Reset                                     | 99H        |                                |                               |                        |         |                        |              |
| Set Burst with Wrap                       | 77H        | W6-W4                          |                               |                        |         |                        |              |
| Program/Erase                             | 75H        |                                |                               |                        |         |                        |              |



# Uniform Sector Dual and Quad Serial Flash

## GD25VQ80C

|  |     |           |                |               |             |             |              |
|--|-----|-----------|----------------|---------------|-------------|-------------|--------------|
| Suspend  |     |           |                |               |             |             |              |
| Program/Erase Resume                             | 7AH |           |                |               |             |             |              |
| Deep Power-Down                                  | B9H |           |                |               |             |             |              |
| Release From Deep Power-Down, And Read Device ID | ABH | dummy     | dummy          | dummy         | (DID7-DID0) |             | (continuous) |
| Release From Deep Power-Down                     | ABH |           |                |               |             |             |              |
| Manufacturer/Device ID                           | 90H | dummy     | dummy          | 00H           | (MID7-MID0) | (DID7-DID0) | (continuous) |
| High Performance Mode                            | A3H | dummy     | dummy          | dummy         |             |             |              |
| Read Serial Flash Discoverable Parameter         | 5AH | A23-A16   | A15-A8         | A7-A0         | dummy       | (D7-D0)     | (continuous) |
| Read Identification                              | 9FH | (MID7-M0) | (JDID15-JDID8) | (JDID7-JDID0) |             |             | (continuous) |
| Erase Security Registers(8)                      | 44H | A23-A16   | A15-A8         | A7-A0         |             |             |              |
| Program Security Registers(8)                    | 42H | A23-A16   | A15-A8         | A7-A0         | D7-D0       | D7-D0       |              |
| Read Security Registers(8)                       | 48H | A23-A16   | A15-A8         | A7-A0         | dummy       | (D7-D0)     |              |

### NOTE:

#### 1. Dual Output data

IO0 = (D6, D4, D2, D0)

IO1 = (D7, D5, D3, D1)

#### 2. Dual Input Address

IO0 = A22, A20, A18, A16, A14, A12, A10, A8      A6, A4, A2, A0, M6, M4, M2, M0

IO1 = A23, A21, A19, A17, A15, A13, A11, A9      A7, A5, A3, A1, M7, M5, M3, M1

#### 3. Quad Output Data

IO0 = (D4, D0, .....)

IO1 = (D5, D1, .....)

IO2 = (D6, D2, .....)

IO3 = (D7, D3,.....)

#### 4. Quad Input Address

IO0 = A20, A16, A12, A8,    A4, A0, M4, M0

IO1 = A21, A17, A13, A9,    A5, A1, M5, M1

IO2 = A22, A18, A14, A10, A6, A2, M6, M2

IO3 = A23, A19, A15, A11, A7, A3, M7, M3

#### 5. Fast Read Quad I/O Data

IO0 = (x, x, x, x, D4, D0,...)

IO1 = (x, x, x, x, D5, D1,...)

IO2 = (x, x, x, x, D6, D2,...)

IO3 = (x, x, x, x, D7, D3,...)

#### 6. Fast Word Read Quad I/O Data

IO0 = (x, x, D4, D0,...)

IO1 = (x, x, D5, D1,...)

IO2 = (x, x, D6, D2,...)



IO3 = (x, x, D7, D3,...)

7. Fast Word Read Quad I/O Data: the lowest address bit must be 0.

8. Security Registers Address:

Security Register0: A23-A16=00H, A15-A8=00H, A7-A0= Byte Address;

Security Register1: A23-A16=00H, A15-A8=01H, A7-A0= Byte Address;

Security Register2: A23-A16=00H, A15-A8=02H, A7-A0= Byte Address;

Security Register3: A23-A16=00H, A15-A8=03H, A7-A0= Byte Address.

9. Dummy bits and Wrap Bits

IO0 = (x, x, x, x, x, x, W4, x)

IO1 = (x, x, x, x, x, x, W5, x)

IO2 = (x, x, x, x, x, x, W6, x)

IO3 = (x, x, x, x, x, x, W7, x)

10. Address, Continuous Read Mode bits, Dummy bits, Manufacture ID and Device ID

IO0 = (A20, A16, A12, A8, A4, A0, M4, M0, x, x, x, x, MID4, MID0, DID4, DID0, ...)

IO1 = (A21, A17, A13, A9, A5, A1, M5, M1, x, x, x, x, MID5, MID1, DID5, DID1, ...)

IO2 = (A22, A18, A14, A10, A6, A2, M6, M2, x, x, x, x, MID6, MID2, DID6, DID2, ...)

IO3 = (A23, A19, A15, A11, A7, A3, M7, M3, x, x, x, x, MID7, MID3, DID7, DID3, ...)

**Table of ID Definitions:**

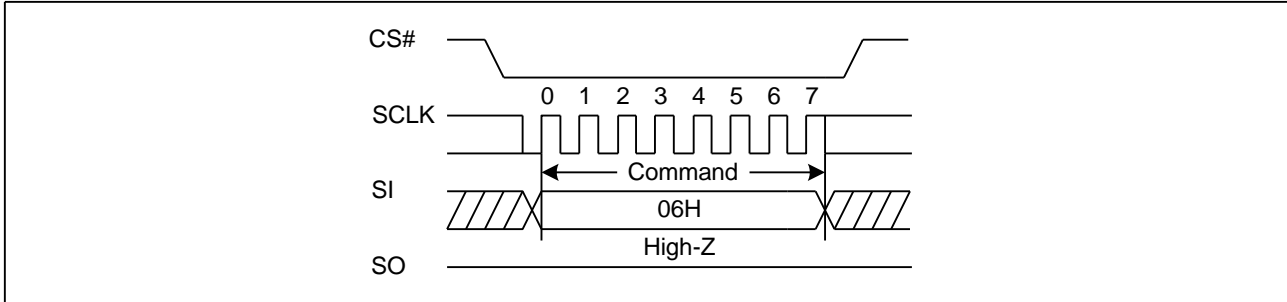
**GD25VQ80C**

| Operation Code | MID7-MID0 | ID15-ID8 | ID7-ID0 |
|----------------|-----------|----------|---------|
| 9FH            | C8        | 42       | 14      |
| 90H            | C8        |          | 13      |
| ABH            |           |          | 13      |

### 7.1. Write Enable (WREN) (06H)

The Write Enable (WREN) command is for setting the Write Enable Latch (WEL) bit. The Write Enable Latch (WEL) bit must be set prior to every Page Program (PP), Sector Erase (SE), Block Erase (BE), Chip Erase (CE), Write Status Register (WRSR) and Erase/Program Security Registers command. The Write Enable (WREN) command sequence: CS# goes low → sending the Write Enable command → CS# goes high.

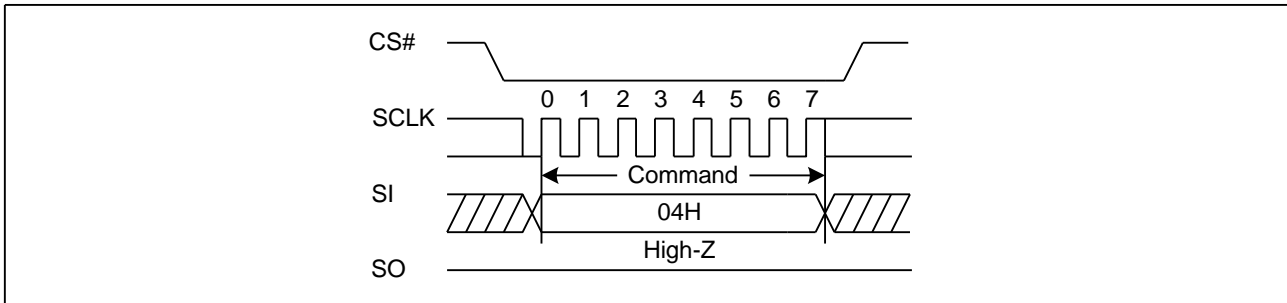
**Figure 2. Write Enable Sequence Diagram**



### 7.2. Write Disable (WRDI) (04H)

The Write Disable command is for resetting the Write Enable Latch (WEL) bit. The Write Disable command sequence: CS# goes low → Sending the Write Disable command → CS# goes high. The WEL bit is reset by following condition: Power-up and upon completion of the Write Status Register, Page Program, Sector Erase, Block Erase, Chip Erase, Erase/Program Security Registers and Reset commands.

**Figure 3. Write Disable Sequence Diagram**

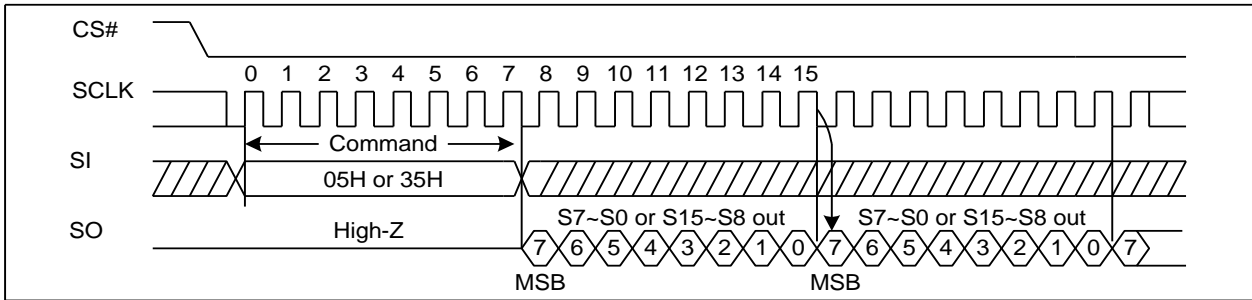


### 7.3. Read Status Register (RDSR) (05H or 35H)

The Read Status Register (RDSR) command is for reading the Status Register. The Status Register may be read at any time, even while a Program, Erase or Write Status Register cycle is in progress. When one of these cycles is in progress, it is recommended to check the Write In Progress (WIP) bit before sending a new command to the device. It is also possible to read the Status Register continuously. For command code "05H", the SO will output Status Register bits S7~S0. The command code "35H", the SO will output Status Register bits S15~S8.



**Figure4. Read Status Register Sequence Diagram**



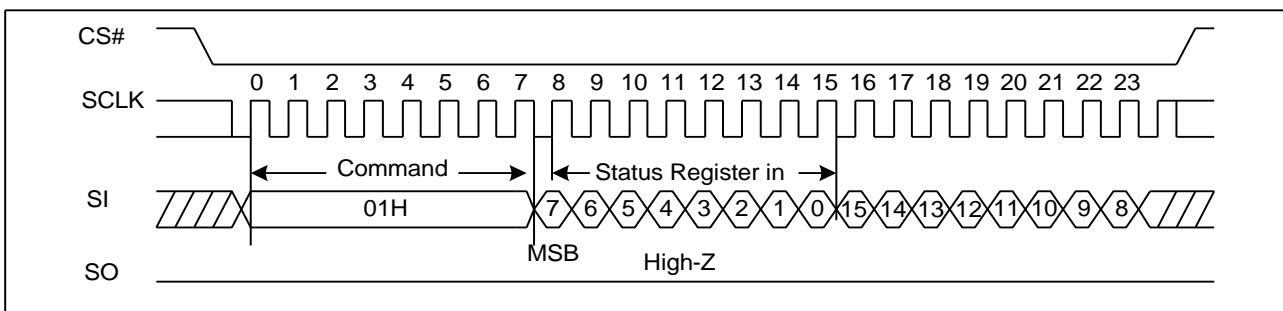
### 7.4. Write Status Register (WRSR) (01H)

The Write Status Register (WRSR) command allows new values to be written to the Status Register. Before it can be accepted, a Write Enable (WREN) command must previously have been executed. After the Write Enable (WREN) command has been decoded and executed, the device sets the Write Enable Latch (WEL).

The Write Status Register (WRSR) command has no effect on S15, S1 and S0 of the Status Register. CS# must be driven high after the eighth or sixteen bit of the data byte has been latched in. If not, the Write Status Register (WRSR) command is not executed. If CS# is driven high after eighth bit of the data byte, the CMP and QE bit will be cleared to 0. As soon as CS# is driven high, the self-timed Write Status Register cycle (whose duration is  $t_w$ ) is initiated. While the Write Status Register cycle is in progress, the Status Register may still be read to check the value of the Write In Progress (WIP) bit. The Write In Progress (WIP) bit is 1 during the self-timed Write Status Register cycle, and is 0 when it is completed. When the cycle is completed, the Write Enable Latch (WEL) is reset.

The Write Status Register (WRSR) command allows the user to change the values of the Block Protect (BP4, BP3, BP2, BP1, BP0) bits, to define the size of the area that is to be treated as read-only, as defined in Table1. The Write Status Register (WRSR) command also allows the user to set or reset the Status Register Protect (SRP) bit in accordance with the Write Protect (WP#) signal. The Status Register Protect (SRP) bit and Write Protect (WP#) signal allow the device to be put in the Hardware Protected Mode. The Write Status Register (WRSR) command is not executed once the Hardware Protected Mode is entered.

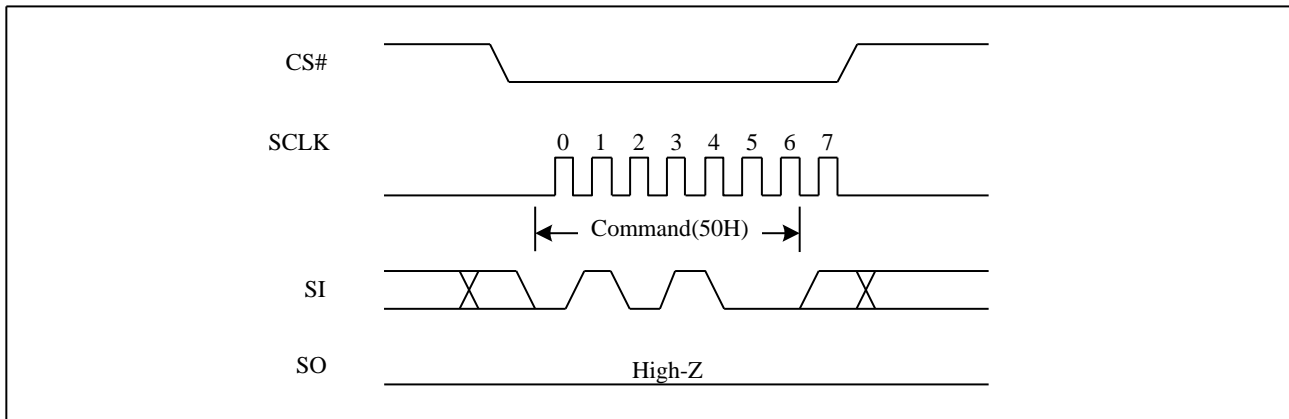
**Figure5. Write Status Register Sequence Diagram**



### 7.5. Write Enable for Volatile Status Register (50H)

The non-volatile Status Register bits can also be written to as volatile bits. This gives more flexibility to change the system configuration and memory protection schemes quickly without waiting for the typical non-volatile bit write cycles or affecting the endurance of the Status Register non-volatile bits. The Write Enable for Volatile Status Register command must be issued prior to a Write Status Register command. The Write Enable for Volatile Status Register command will not set the Write Enable Latch bit, it is only valid for the Write Status Register command to change the volatile Status Register bit values.

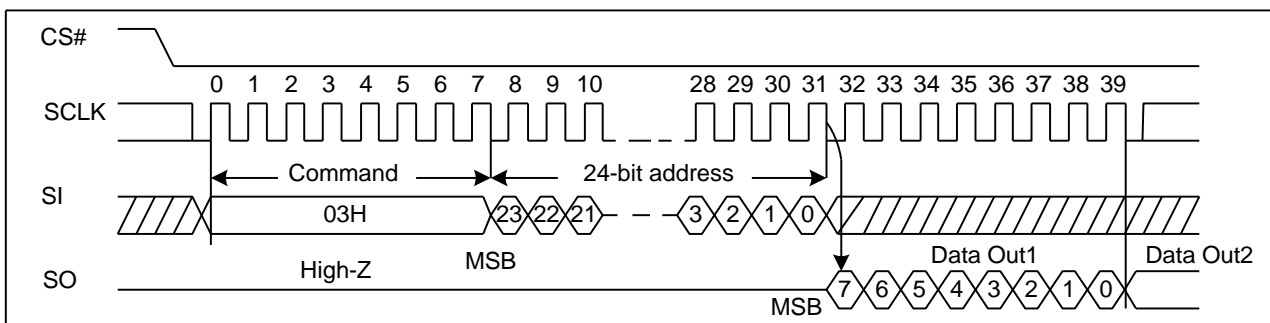
Figure 4. Write Enable for Volatile Status Register Sequence Diagram



## 7.6. Read Data Bytes (READ) (03H)

The Read Data Bytes (READ) command is followed by a 3-byte address (A23-A0), each bit being latched-in during the rising edge of SCLK. Then the memory content, at that address, is shifted out on SO, each bit being shifted out, at a Max frequency  $f_R$ , during the falling edge of SCLK. The first byte addressed can be at any location. The address is automatically incremented to the next higher address after each byte of data is shifted out. The whole memory can, therefore, be read with a single Read Data Bytes (READ) command. Any Read Data Bytes (READ) command, while an Erase, Program or Write cycle is in progress, is rejected without having any effects on the cycle that is in progress.

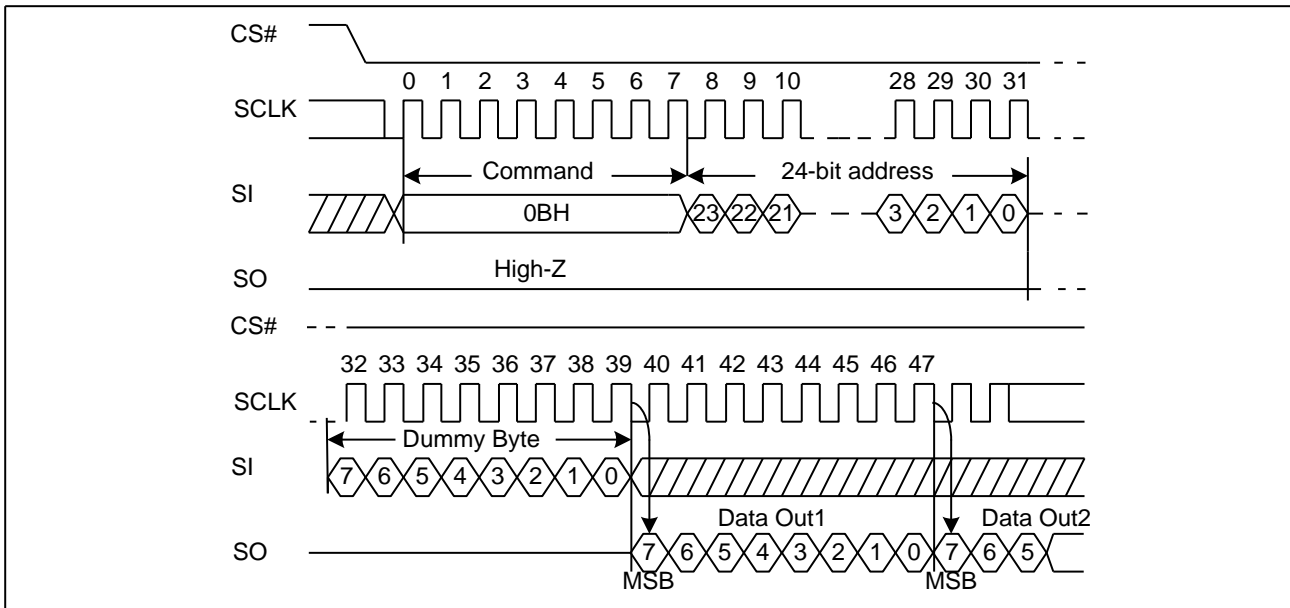
Figure 5. Read Data Bytes Sequence Diagram



## 7.7. Read Data Bytes at Higher Speed (Fast Read) (0BH)

The Read Data Bytes at Higher Speed (Fast Read) command is for quickly reading data out. It is followed by a 3-byte address (A23-A0) and a dummy byte, each bit being latched-in during the rising edge of SCLK. Then the memory content, at that address, is shifted out on SO, each bit being shifted out, at a Max frequency  $f_c$ , during the falling edge of SCLK. The first byte addressed can be at any location. The address is automatically incremented to the next higher address after each byte of data is shifted out.

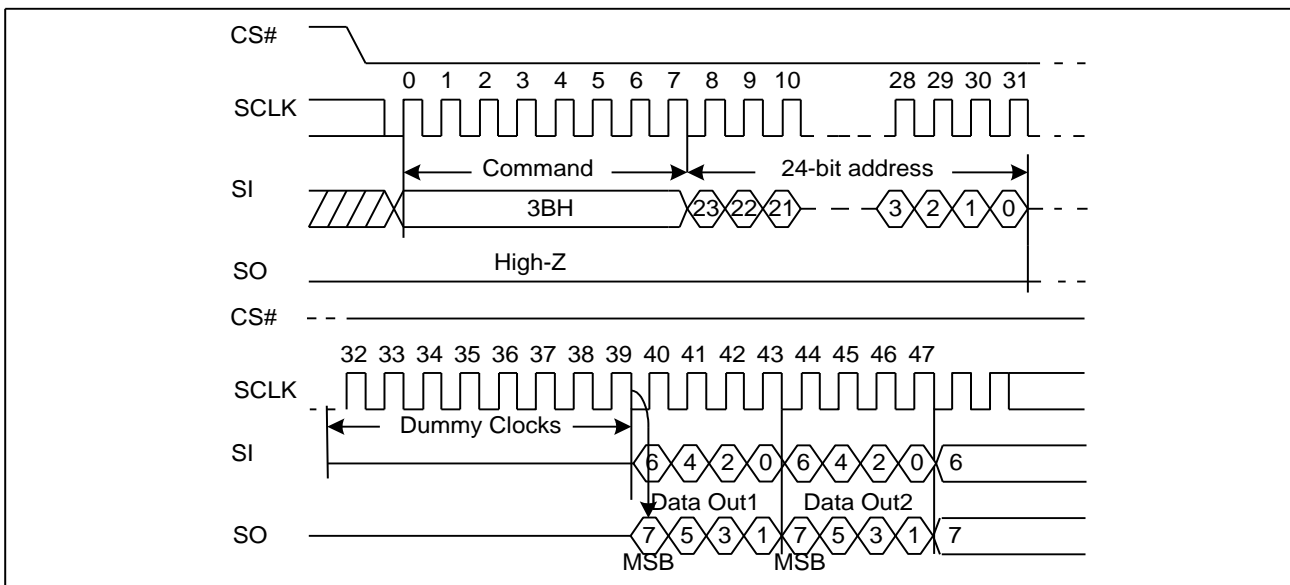
Figure 6. Read Data Bytes at Higher Speed Sequence Diagram



## 7.8. Dual Output Fast Read (3BH)

The Dual Output Fast Read command is followed by 3-byte address (A23-A0) and a dummy byte, each bit being latched in during the rising edge of SCLK, then the memory contents are shifted out 2-bit per clock cycle from SI and SO. The command sequence is shown in followed Figure 9. The first byte addressed can be at any location. The address is automatically incremented to the next higher address after each byte of data is shifted out.

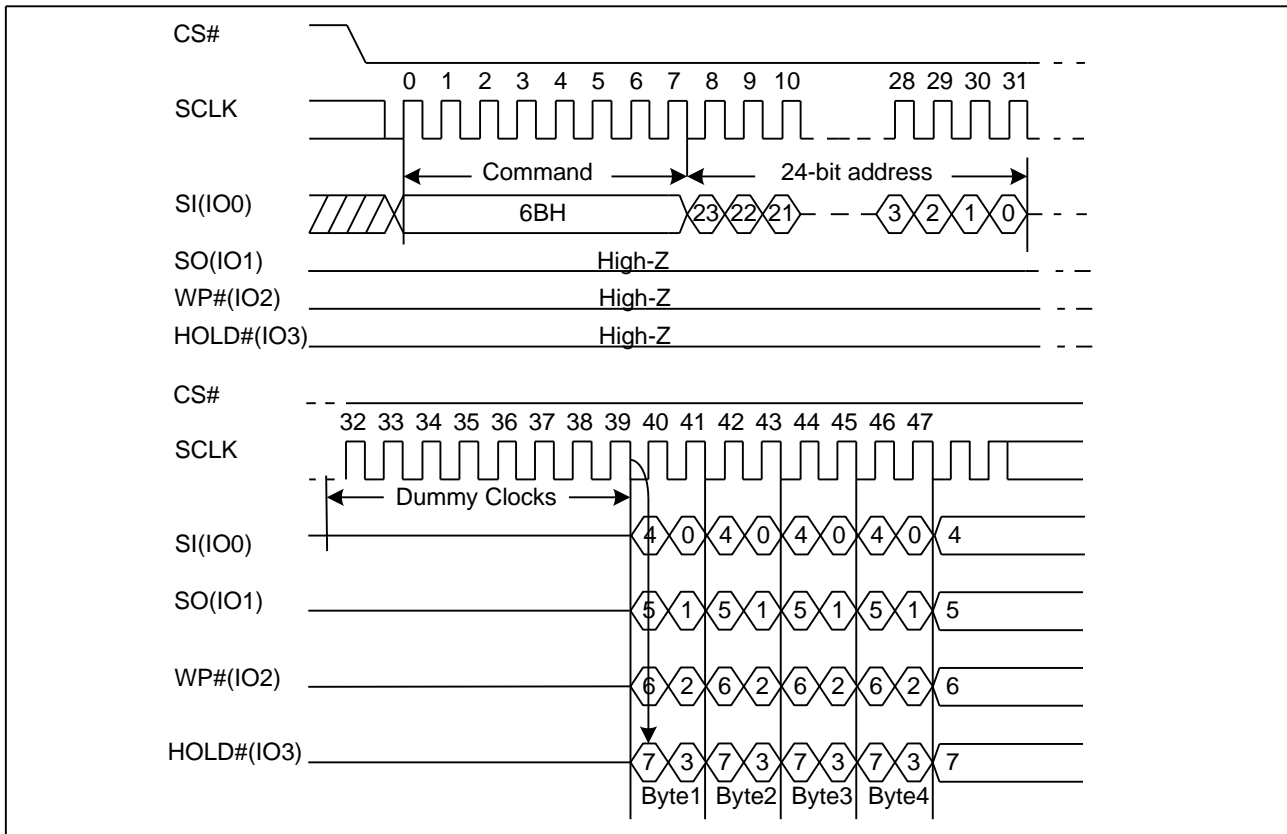
Figure 7. Dual Output Fast Read Sequence Diagram



## 7.9. Quad Output Fast Read (6BH)

The Quad Output Fast Read command is followed by 3-byte address (A23-A0) and a dummy byte, each bit being latched in during the rising edge of SCLK, then the memory contents are shifted out 4-bit per clock cycle from IO3, IO2, IO1 and IO0. The command sequence is shown in followed Figure10. The first byte addressed can be at any location. The address is automatically incremented to the next higher address after each byte of data is shifted out.

**Figure 8. Quad Output Fast Read Sequence Diagram**



### 7.10. Dual I/O Fast Read (BBH)

The Dual I/O Fast Read command is similar to the Dual Output Fast Read command but with the capability to input the 3-byte address (A23-0) and a “Continuous Read Mode” byte 2-bit per clock by SI and SO, each bit being latched in during the rising edge of SCLK, then the memory contents are shifted out 2-bit per clock cycle from SI and SO. The command sequence is shown in followed Figure9. The first byte addressed can be at any location. The address is automatically incremented to the next higher address after each byte of data is shifted out.

#### Dual I/O Fast Read with “Continuous Read Mode”

The Dual I/O Fast Read command can further reduce command overhead through setting the “Continuous Read Mode” bits (M7-0) after the input 3-byte address (A23-A0). If the “Continuous Read Mode” bits (M7-0) =AXH, then the next Dual I/O Fast Read command (after CS# is raised and then lowered) does not require the BBH command code. The command sequence is shown in followed Figure10. If the “Continuous Read Mode” bits (M7-0) are any value other than AXH, the next command requires the first BBH command code, thus returning to normal operation. A “Continuous Read Mode” Reset command can be used to reset (M7-0) before issuing normal command.

Figure 9. Dual I/O Fast Read Sequence Diagram (M7-0= 0XH or not AXH)

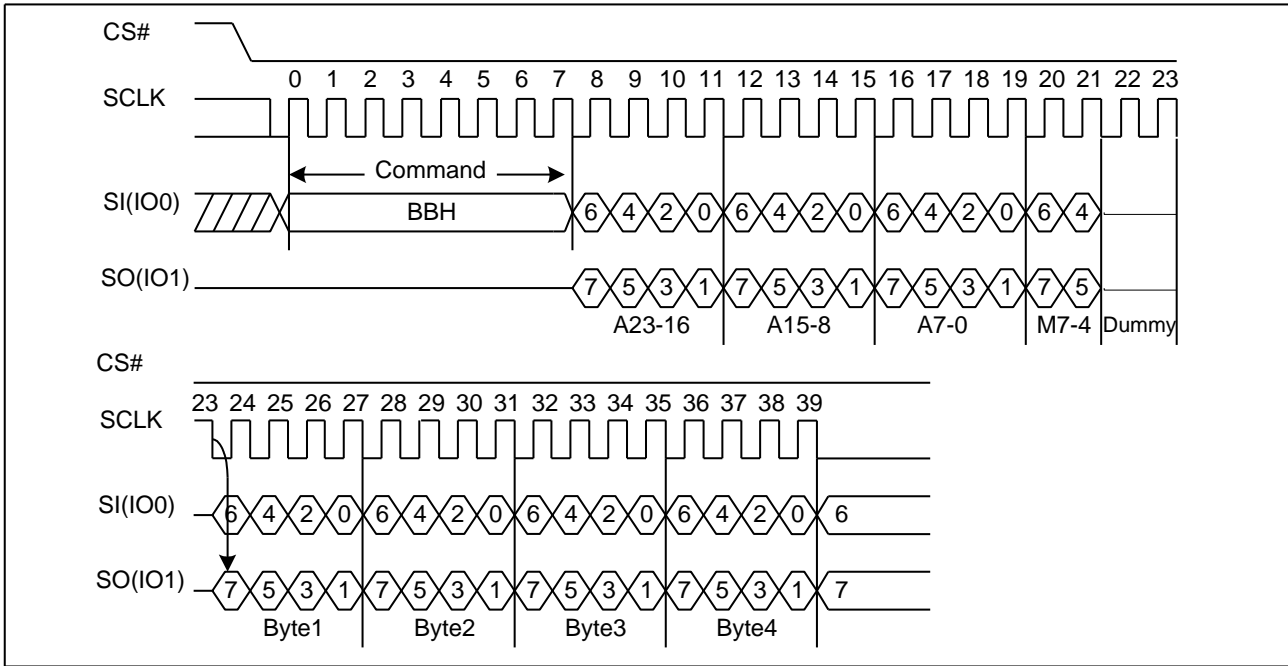
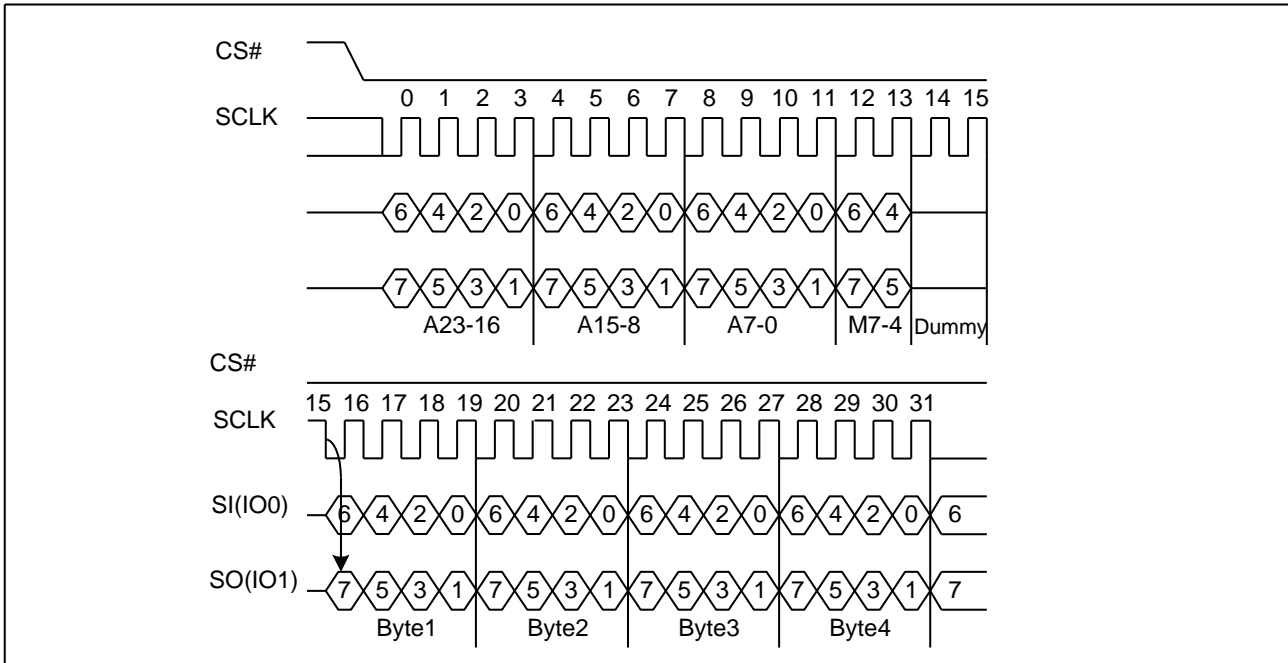


Figure 10. Dual I/O Fast Read Sequence Diagram (M7-0= AXH)



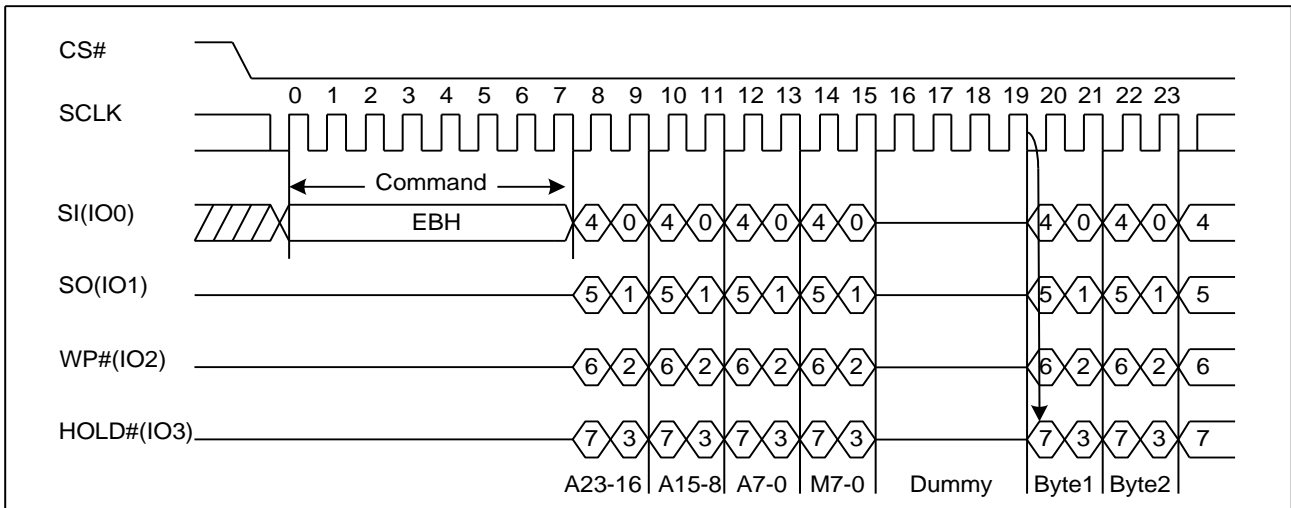
**7.11. Quad I/O Fast Read (EBH)**

The Quad I/O Fast Read command is similar to the Dual I/O Fast Read command but with the capability to input the 3-byte address (A23-0) and a “Continuous Read Mode” byte and 4-dummy clock 4-bit per clock by IO0, IO1, IO2, IO3, each bit being latched in during the rising edge of SCLK, then the memory contents are shifted out 4-bit per clock cycle from IO0, IO1, IO2, IO3. The command sequence is shown in followed Figure11. The first byte addressed can be at any location. The address is automatically incremented to the next higher address after each byte of data is shifted out. The Quad Enable bit (QE) of Status Register (S9) must be set to enable for the Quad I/O Fast read command.

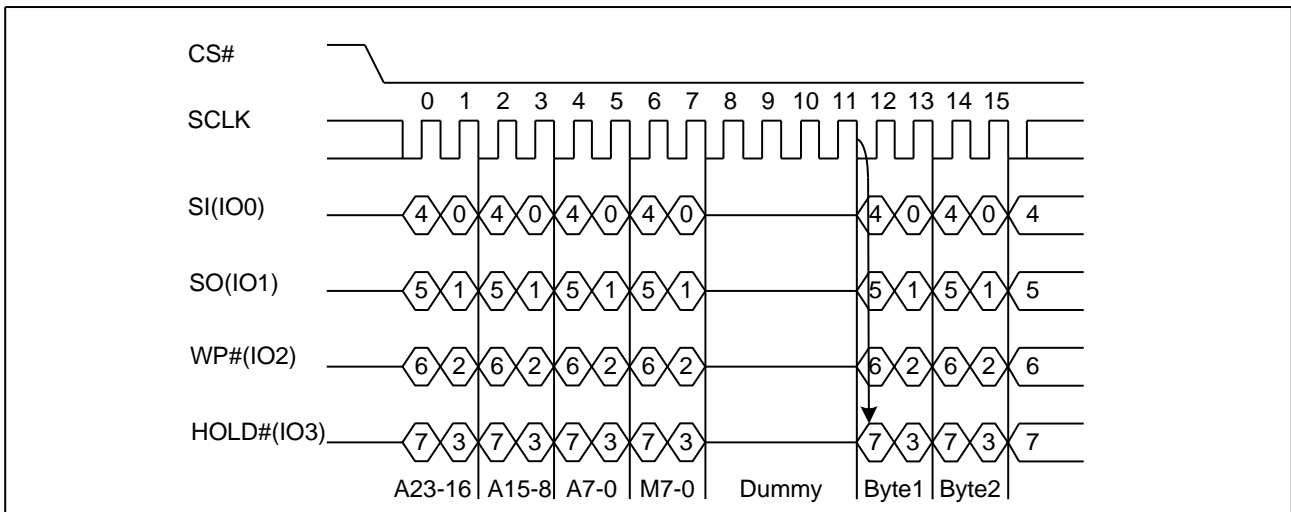
**Quad I/O Fast Read with “Continuous Read Mode”**

The Quad I/O Fast Read command can further reduce command overhead through setting the “Continuous Read Mode” bits (M7-0) after the input 3-byte address (A23-A0). If the “Continuous Read Mode” bits (M7-0) =AXH, then the next Quad I/O Fast Read command (after CS# is raised and then lowered) does not require the EBH command code. The command sequence is shown in followed Figure12. If the “Continuous Read Mode” bits (M7-0) are any value other than AXH, the next command requires the first EBH command code, thus returning to normal operation. A “Continuous Read Mode” Reset command can be used to reset (M7-0) before issuing normal command.

**Figure 11. Quad I/O Fast Read Sequence Diagram (M7-0= 0XH or not AXH)**



**Figure 12. Quad I/O Fast Read Sequence Diagram (M7-0= AXH)**



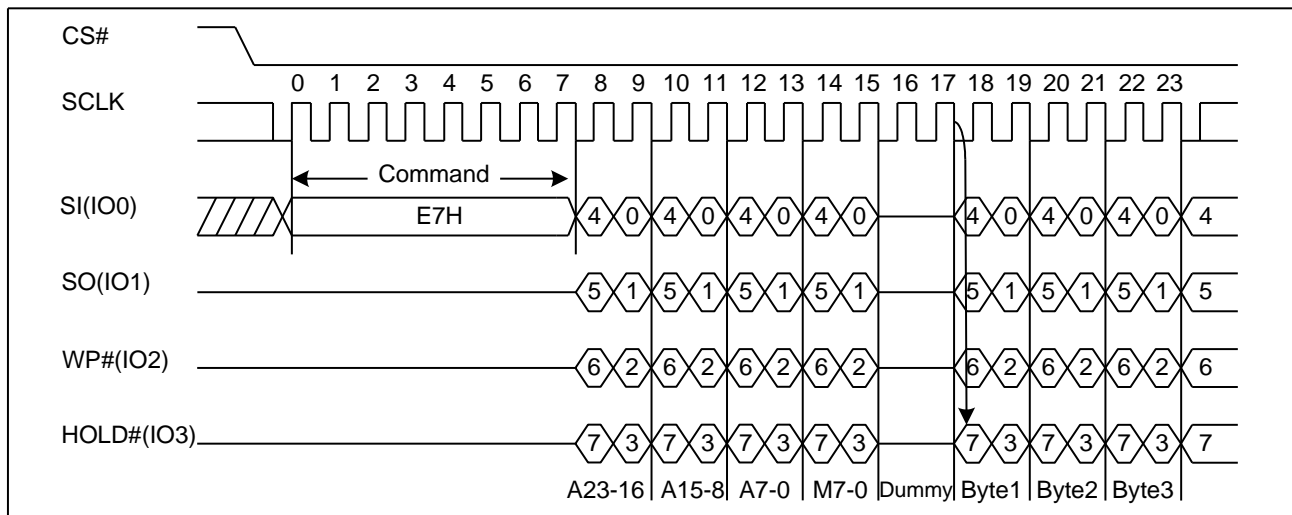
### 7.12. Quad I/O Word Fast Read (E7H)

The Quad I/O Word Fast Read command is similar to the Quad I/O Fast Read command except that the lowest address bit (A0) must equal 0 and only 2-dummy clock. The command sequence is shown in followed Figure13. The first byte addressed can be at any location. The address is automatically incremented to the next higher address after each byte of data is shifted out. The Quad Enable bit (QE) of Status Register (S9) must be set to enable for the Quad I/O Word Fast read command.

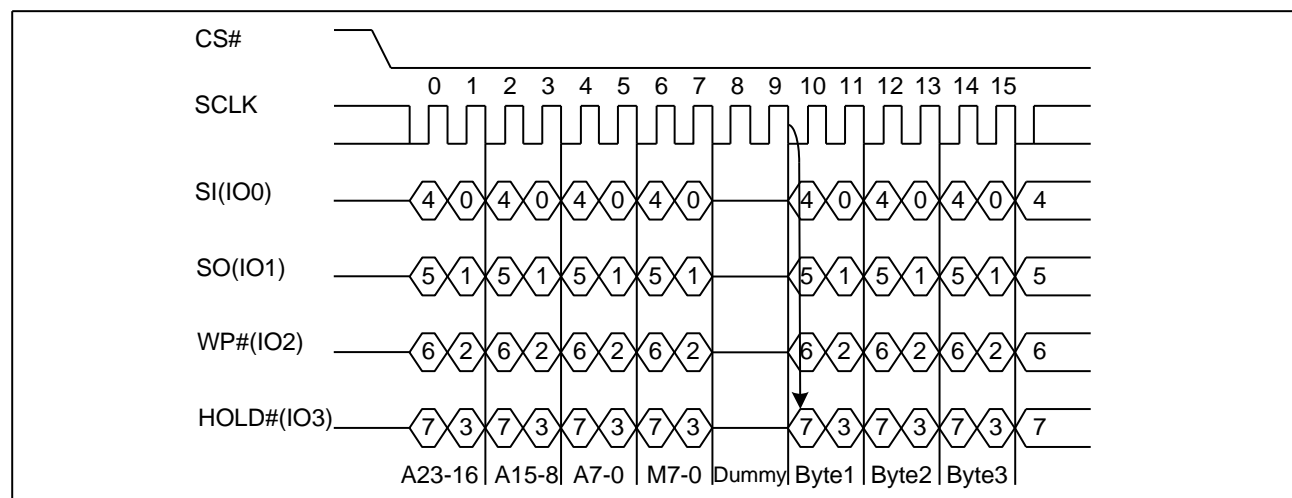
#### Quad I/O Word Fast Read with “Continuous Read Mode”

The Quad I/O Word Fast Read command can further reduce command overhead through setting the “Continuous Read Mode” bits (M7-0) after the input 3-byte address (A23-A0). If the “Continuous Read Mode” bits (M7-0) = AXH, then the next Quad I/O Word Fast Read command (after CS# is raised and then lowered) does not require the E7H command code. The command sequence is shown in followed Figure14. If the “Continuous Read Mode” bits (M7-0) are any value other than AXH, the next command requires the first E7H command code, thus returning to normal operation. A “Continuous Read Mode” Reset command can be used to reset (M7-0) before issuing normal command.

**Figure 13. Quad I/O Word Fast Read Sequence Diagram (M7-0= 0XH or not AXH)**



**Figure 14. Quad I/O Word Fast Read Sequence Diagram (M7-0= AXH)**



### 7.13. Set Burst with Wrap (77H)

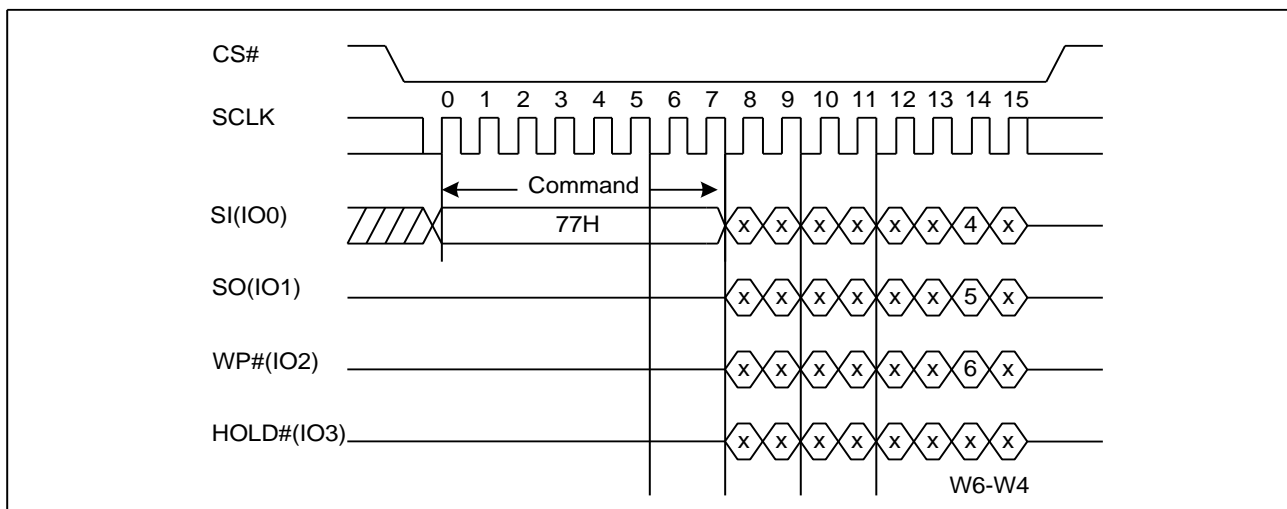
The Set Burst with Wrap command is used in conjunction with “Quad I/O Fast Read” and “Quad I/O Word Fast Read” command to access a fixed length of 8/16/32/64-byte section within a 256-byte page, in standard SPI mode.

The Set Burst with Wrap command sequence: CS# goes low → Send Set Burst with Wrap command → Send 24 dummy bits → Send 8 bits “Wrap bits” → CS# goes high.

| W6,W5 | W4=0        |             | W4=1 (default) |             |
|-------|-------------|-------------|----------------|-------------|
|       | Wrap Around | Wrap Length | Wrap Around    | Wrap Length |
| 0, 0  | Yes         | 8-byte      | No             | N/A         |
| 0, 1  | Yes         | 16-byte     | No             | N/A         |
| 1, 0  | Yes         | 32-byte     | No             | N/A         |
| 1, 1  | Yes         | 64-byte     | No             | N/A         |

If the W6-W4 bits are set by the Set Burst with Wrap command, all the following “Quad I/O Fast Read” and “Quad I/O Word Fast Read” command will use the W6-W4 setting to access the 8/16/32/64-byte section within any page. To exit the “Wrap Around” function and return to normal read operation, another Set Burst with Wrap command should be issued to set W4=1.

**Figure15. Set Burst with Wrap Sequence Diagram**



### 7.14. Page Program (PP) (02H)

The Page Program (PP) command is for programming the memory. A Write Enable (WREN) command must previously have been executed to set the Write Enable Latch (WEL) bit before sending the Page Program command.

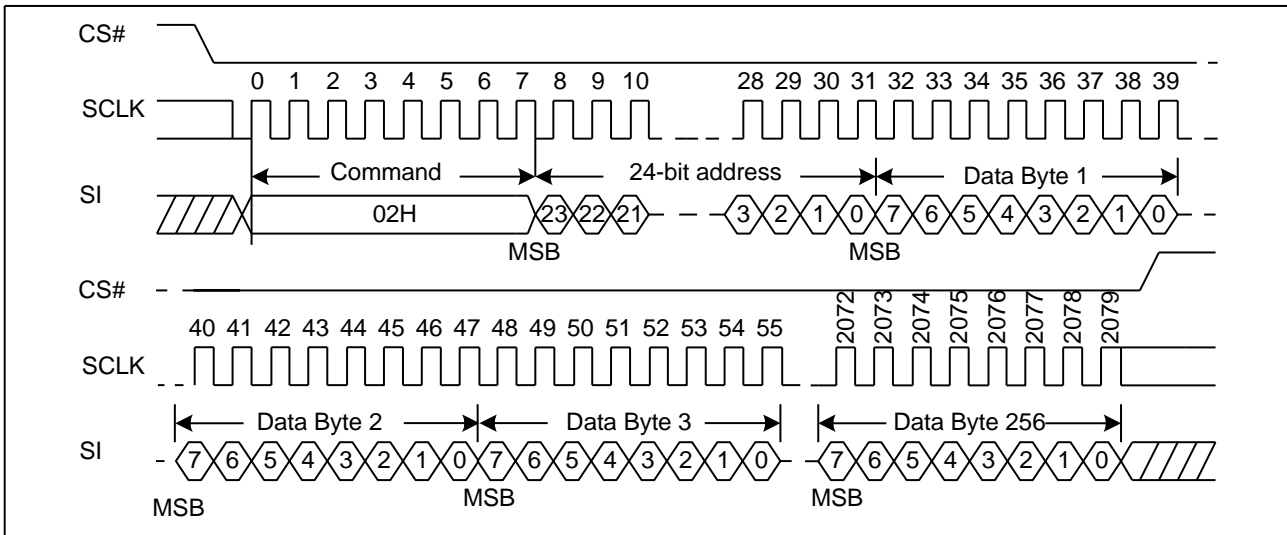
The Page Program (PP) command is entered by driving CS# Low, followed by the command code, three address bytes and at least one data byte on SI. If the 8 least significant address bits (A7-A0) are not all zero, all transmitted data that goes beyond the end of the current page are programmed from the start address of the same page (from the address whose 8 least significant bits (A7-A0) are all zero). CS# must be driven low for the entire duration of the sequence. The Page Program command sequence: CS# goes low → sending Page Program command → 3-byte address on SI → at least 1 byte data on SI → CS# goes high. The command sequence is shown in Figure16. If more than 256 bytes are sent to the device, previously latched data are discarded and the last 256 data bytes are guaranteed to be programmed correctly within the same page. If less than 256 data bytes are sent to device, they are correctly programmed at the requested addresses without having any effects on the other bytes of the same page. CS# must be driven high after the eighth bit of the last data byte has been latched in; otherwise the Page Program (PP) command is not executed.



As soon as CS# is driven high, the self-timed Page Program cycle (whose duration is  $t_{PP}$ ) is initiated. While the Page Program cycle is in progress, the Status Register may be read to check the value of the Write in Progress (WIP) bit. The Write in Progress (WIP) bit is 1 during the self-timed Page Program cycle, and is 0 when it is completed. At some unspecified time before the cycle is completed, the Write Enable Latch (WEL) bit is reset.

A Page Program (PP) command applied to a page which is protected by the Block Protect (BP4, BP3, BP2, BP1, and BP0) is not executed.

**Figure 16. Page Program Sequence Diagram**



## 7.15. Quad Page Program (32H)

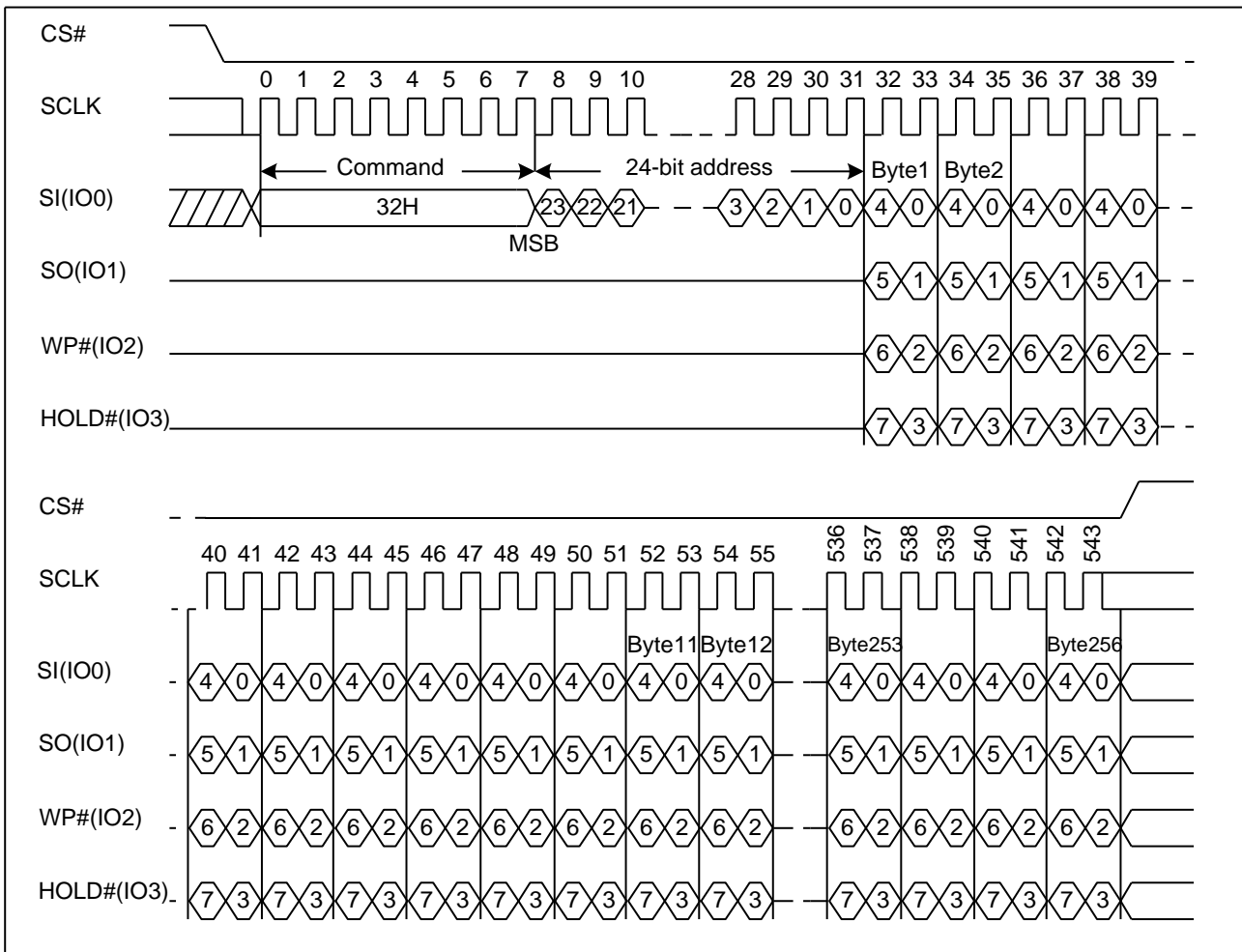
The Quad Page Program command is for programming the memory using four pins: IO0, IO1, IO2, and IO3. To use Quad Page Program the Quad enable in status register Bit9 must be set (QE=1). A Write Enable (WREN) command must previously have been executed to set the Write Enable Latch (WEL) bit before sending the Page Program command. The quad Page Program command is entered by driving CS# Low, followed by the command code (32H), three address bytes and at least one data byte on IO pins.

The command sequence is shown in Figure17. If more than 256 bytes are sent to the device, previously latched data are discarded and the last 256 data bytes are guaranteed to be programmed correctly within the same page. If less than 256 data bytes are sent to device, they are correctly programmed at the requested addresses without having any effects on the other bytes of the same page. CS# must be driven high after the eighth bit of the last data byte has been latched in; otherwise the Quad Page Program (PP) command is not executed.

As soon as CS# is driven high, the self-timed Quad Page Program cycle (whose duration is  $t_{PP}$ ) is initiated. While the Quad Page Program cycle is in progress, the Status Register may be read to check the value of the Write In Progress (WIP) bit. The Write in Progress (WIP) bit is 1 during the self-timed Quad Page Program cycle, and is 0 when it is completed. At some unspecified time before the cycle is completed, the Write Enable Latch (WEL) bit is reset.

A Quad Page Program command applied to a page which is protected by the Block Protect (BP4, BP3, BP2, BP1, and BP0) is not executed.

Figure 17. Quad Page Program Sequence Diagram

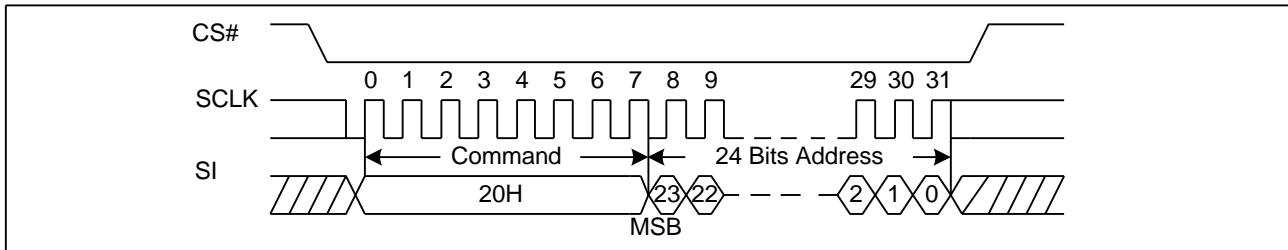


## 7.16. Sector Erase (SE) (20H)

The Sector Erase (SE) command is used to erase all the data of the chosen sector. A Write Enable (WREN) command must previously have been executed to set the Write Enable Latch (WEL) bit. The Sector Erase (SE) command is entered by driving CS# low, followed by the command code, and 3-address byte on SI. Any address inside the sector is a valid address for the Sector Erase (SE) command. CS# must be driven low for the entire duration of the sequence.

The Sector Erase command sequence: CS# goes low → sending Sector Erase command → 3-byte address on SI → CS# goes high. The command sequence is shown in Figure18. CS# must be driven high after the eighth bit of the last address byte has been latched in; otherwise the Sector Erase (SE) command is not executed. As soon as CS# is driven high, the self-timed Sector Erase cycle (whose duration is  $t_{SE}$ ) is initiated. While the Sector Erase cycle is in progress, the Status Register may be read to check the value of the Write in Progress (WIP) bit. The Write in Progress (WIP) bit is 1 during the self-timed Sector Erase cycle, and is 0 when it is completed. At some unspecified time before the cycle is completed, the Write Enable Latch (WEL) bit is reset. A Sector Erase (SE) command applied to a sector which is protected by the Block Protect (BP4, BP3, BP2, BP1, and BP0) bit (see Table1&1a) is not executed.

**Figure 18. Sector Erase Sequence Diagram**

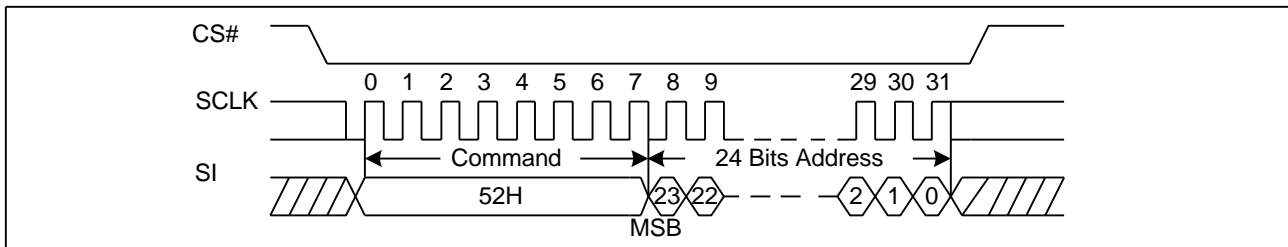


### 7.17. 32KB Block Erase (BE) (52H)

The 32KB Block Erase (BE) command is used to erase all the data of the chosen block. A Write Enable (WREN) command must previously have been executed to set the Write Enable Latch (WEL) bit. The 32KB Block Erase (BE) command is entered by driving CS# low, followed by the command code, and three address bytes on SI. Any address inside the block is a valid address for the 32KB Block Erase (BE) command. CS# must be driven low for the entire duration of the sequence.

The 32KB Block Erase command sequence: CS# goes low → sending 32KB Block Erase command → 3-byte address on SI → CS# goes high. The command sequence is shown in Figure19. CS# must be driven high after the eighth bit of the last address byte has been latched in; otherwise the 32KB Block Erase (BE) command is not executed. As soon as CS# is driven high, the self-timed Block Erase cycle (whose duration is  $t_{BE}$ ) is initiated. While the Block Erase cycle is in progress, the Status Register may be read to check the value of the Write in Progress (WIP) bit. The Write in Progress (WIP) bit is 1 during the self-timed Block Erase cycle, and is 0 when it is completed. At some unspecified time before the cycle is completed, the Write Enable Latch (WEL) bit is reset. A 32KB Block Erase (BE) command applied to a block which is protected by the Block Protect (BP4, BP3, BP2, BP1, and BP0) bits (see Table1&1a) is not executed.

**Figure 19. 32KB Block Erase Sequence Diagram**



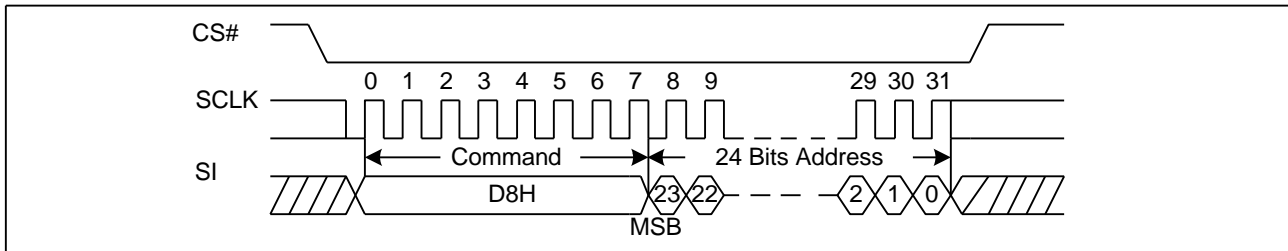
### 7.18. 64KB Block Erase (BE) (D8H)

The 64KB Block Erase (BE) command is used to erase all the data of the chosen block. A Write Enable (WREN) command must previously have been executed to set the Write Enable Latch (WEL) bit. The 64KB Block Erase (BE) command is entered by driving CS# low, followed by the command code, and three address bytes on SI. Any address inside the block is a valid address for the 64KB Block Erase (BE) command. CS# must be driven low for the entire duration of the sequence.

The 64KB Block Erase command sequence: CS# goes low → sending 64KB Block Erase command → 3-byte address on SI → CS# goes high. The command sequence is shown in Figure20. CS# must be driven high after the eighth bit of the last address byte has been latched in; otherwise the 64KB Block Erase (BE) command is not executed. As soon as CS# is driven high, the self-timed Block Erase cycle (whose duration is  $t_{BE}$ ) is initiated. While the Block Erase cycle is in progress, the Status Register may be read to check the value of the Write in Progress (WIP) bit. The Write in Progress (WIP) bit is 1 during the self-timed Block Erase cycle, and is 0 when it is completed. At some unspecified time before the cycle is

completed, the Write Enable Latch (WEL) bit is reset. A 64KB Block Erase (BE) command applied to a block which is protected by the Block Protect (BP4, BP3, BP2, BP1, and BP0) bits (see Table1&1a) is not executed.

**Figure 20. 64KB Block Erase Sequence Diagram**

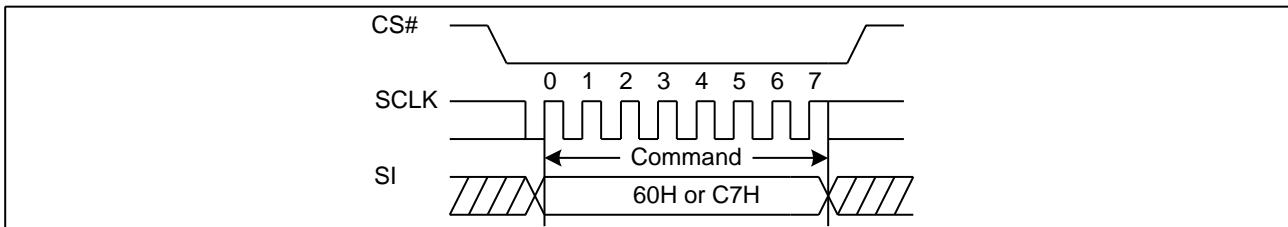


### 7.19. Chip Erase (CE) (60/C7H)

The Chip Erase (CE) command is used to erase all the data of the chip. A Write Enable (WREN) command must previously have been executed to set the Write Enable Latch (WEL) bit. The Chip Erase (CE) command is entered by driving CS# Low, followed by the command code on Serial Data Input (SI). CS# must be driven Low for the entire duration of the sequence.

The Chip Erase command sequence: CS# goes low → sending Chip Erase command → CS# goes high. The command sequence is shown in Figure21. CS# must be driven high after the eighth bit of the command code has been latched in; otherwise the Chip Erase command is not executed. As soon as CS# is driven high, the self-timed Chip Erase cycle (whose duration is  $t_{CE}$ ) is initiated. While the Chip Erase cycle is in progress, the Status Register may be read to check the value of the Write in Progress (WIP) bit. The Write in Progress (WIP) bit is 1 during the self-timed Chip Erase cycle, and is 0 when it is completed. At some unspecified time before the cycle is completed, the Write Enable Latch (WEL) bit is reset. The Chip Erase (CE) command is executed only if all Block Protect (BP2, BP1, and BP0) bits are 0. The Chip Erase (CE) command is ignored if one or more sectors are protected.

**Figure 21. Chip Erase Sequence Diagram**



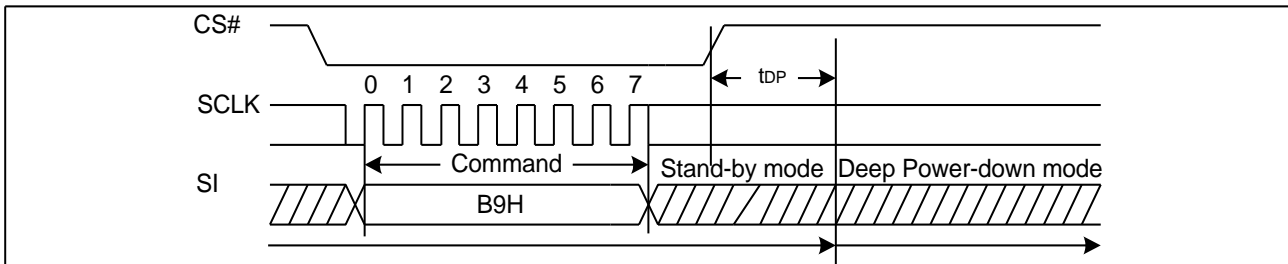
### 7.20. Deep Power-Down (DP) (B9H)

Executing the Deep Power-Down (DP) command is the only way to put the device in the lowest consumption mode (the Deep Power-Down Mode). It can also be used as an extra software protection mechanism, while the device is not in active use, since in this mode, the device ignores all Write, Program and Erase commands. Driving CS# high deselects the device, and puts the device in the Standby Mode (if there is no internal cycle currently in progress). But this mode is not the Deep Power-Down Mode. The Deep Power-Down Mode can only be entered by executing the Deep Power-Down (DP) command. Once the device has entered the Deep Power-Down Mode, all commands are ignored except the Release from Deep Power-Down and Read Device ID (RDI) command. This releases the device from this mode. The Release from Deep Power-Down and Read Device ID (RDI) command also allows the Device ID of the device to be output on SO.

The Deep Power-Down Mode automatically stops at Power-Down, and the device always Power-Up in the Standby Mode. The Deep Power-Down (DP) command is entered by driving CS# low, followed by the command code on SI. CS# must be driven low for the entire duration of the sequence.

The Deep Power-Down command sequence: CS# goes low → sending Deep Power-Down command → CS# goes high. The command sequence is shown in Figure22. CS# must be driven high after the eighth bit of the command code has been latched in; otherwise the Deep Power-Down (DP) command is not executed. As soon as CS# is driven high, it requires a delay of  $t_{DP}$  before the supply current is reduced to  $I_{CC2}$  and the Deep Power-Down Mode is entered. Any Deep Power-Down (DP) command, while an Erase, Program or Write cycle is in progress, is rejected without having any effects on the cycle that is in progress.

**Figure 22. Deep Power-Down Sequence Diagram**



### 7.21. Release from Deep Power-Down or High Performance Mode and Read Device ID (RDI) (ABH)

The Release from Power-Down or High Performance Mode / Device ID command is a multi-purpose command. It can be used to release the device from the Power-Down state or High Performance Mode or obtain the devices electronic identification (ID) number.

To release the device from the Power-Down state or High Performance Mode, the command is issued by driving the CS# pin low, shifting the instruction code “ABH” and driving CS# high as shown in Figure23. Release from Power-Down will take the time duration of  $t_{RES1}$  (See AC Characteristics) before the device will resume normal operation and other command are accepted. The CS# pin must remain high during the  $t_{RES1}$  time duration.

When used only to obtain the Device ID while not in the Power-Down state, the command is initiated by driving the CS# pin low and shifting the instruction code “ABH” followed by 3-dummy byte. The Device ID bits are then shifted out on the falling edge of SCLK with most significant bit (MSB) first as shown in Figure24. The Device ID value is listed in Manufacturer and Device Identification table. The Device ID can be read continuously. The command is completed by driving CS# high.

When used to release the device from the Power-Down state and obtain the Device ID, the command is the same as previously described, and shown in Figure24, except that after CS# is driven high it must remain high for a time duration of  $t_{RES2}$  (See AC Characteristics). After this time duration the device will resume normal operation and other command will be accepted. If the Release from Power-Down / Device ID command is issued while an Erase, Program or Write cycle is in process (when WIP equal 1) the command is ignored and will not have any effects on the current cycle.

**Figure 23. Release Power-Down Sequence or High Performance Mode Sequence Diagram**

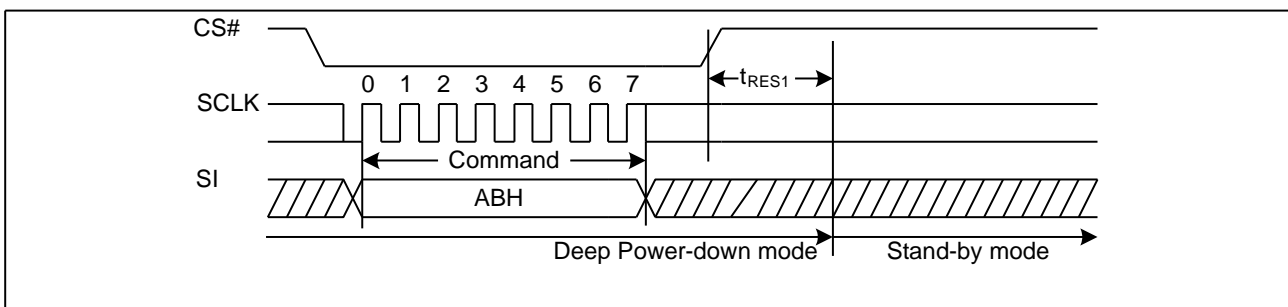
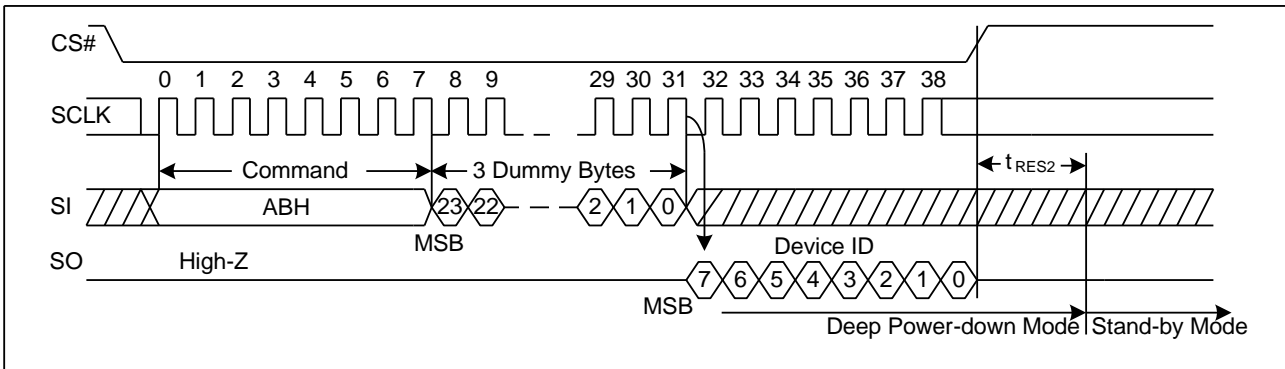


Figure 24. Release Power-Down/Read Device ID Sequence Diagram

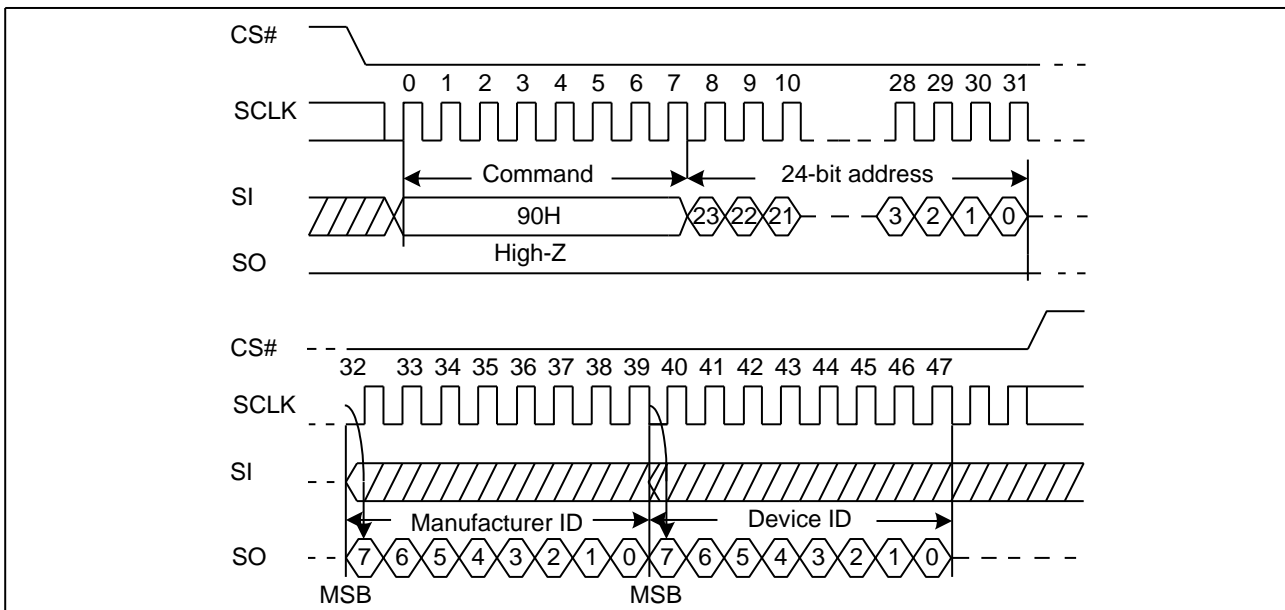


## 7.22. Read Manufacturer ID/ Device ID (REMS) (90H)

The Read Manufacturer/Device ID command is an alternative to the Release from Power-Down / Device ID command that provides both the JEDEC assigned Manufacturer ID and the specific Device ID.

The command is initiated by driving the CS# pin low and shifting the command code “90H” followed by a 24-bit address (A23-A0) of 000000H. After which, the Manufacturer ID and the Device ID are shifted out on the falling edge of SCLK with most significant bit (MSB) first as shown in Figure 25. If the 24-bit address is initially set to 000001H, the Device ID will be read first.

Figure 25. Read Manufacturer ID/ Device ID Sequence Diagram

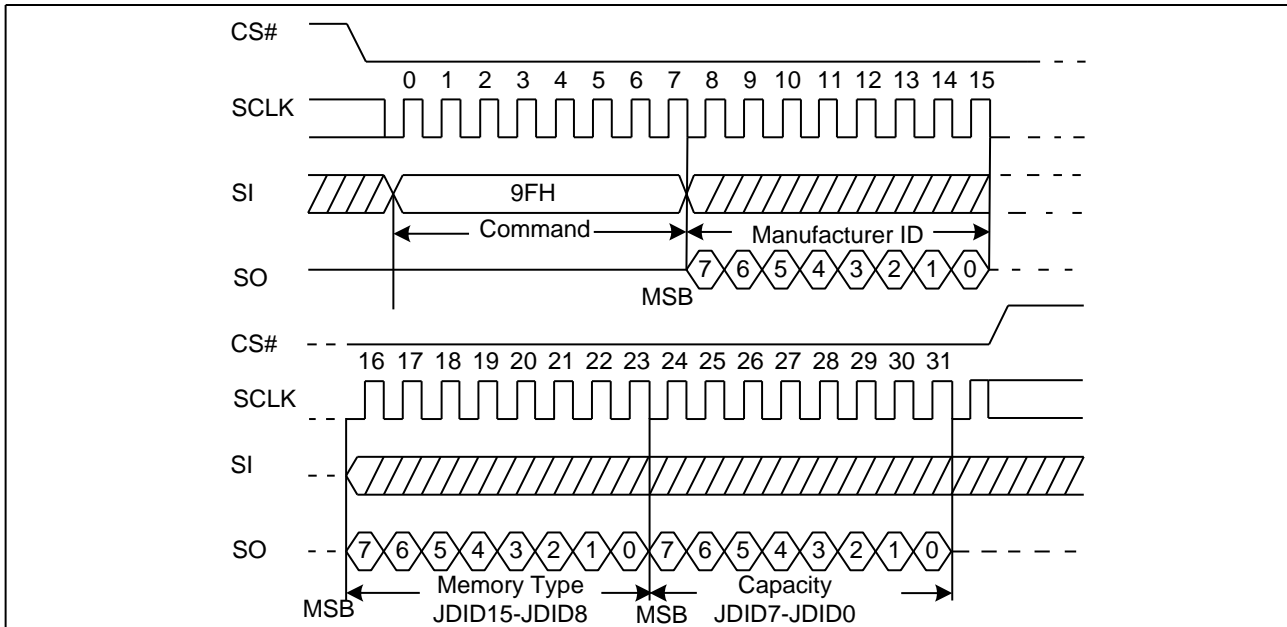


### 7.23. Read Identification (RDID) (9FH)

The Read Identification (RDID) command allows the 8-bit manufacturer identification to be read, followed by two bytes of device identification. The device identification indicates the memory type in the first byte, and the memory capacity of the device in the second byte. The Read Identification (RDID) command while an Erase or Program cycle is in progress is not decoded, and has no effect on the cycle that is in progress. The Read Identification (RDID) command should not be issued while the device is in Deep Power-Down Mode.

The device is first selected by driving CS# low. Then, the 8-bit command code for the command is shifted in. This is followed by the 24-bit device identification, stored in the memory, being shifted out on Serial Data Output, each bit being shifted out during the falling edge of Serial Clock. The command sequence is shown in Figure 26. The Read Identification (RDID) command is terminated by driving CS# high at any time during data output. When CS# is driven high, the device is put in the Standby Mode. Once in the Standby Mode, the device waits to be selected, so that it can receive, decode and execute commands.

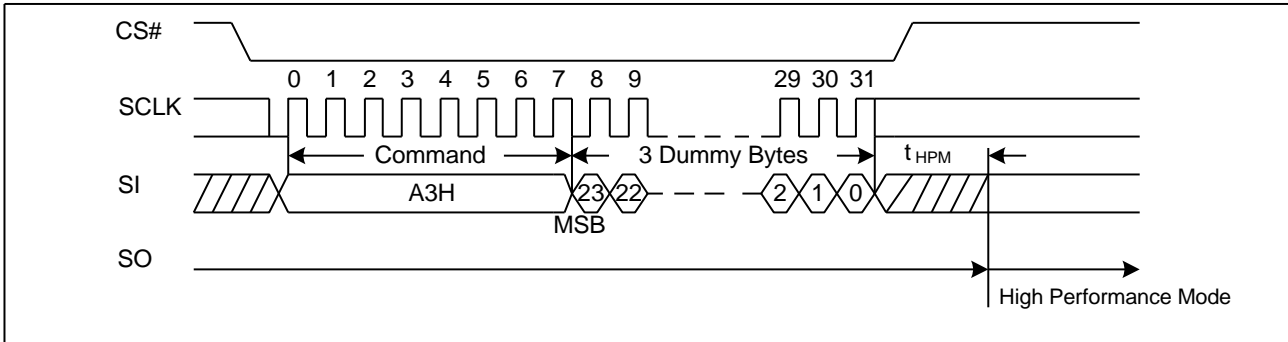
**Figure 26. Read Identification ID Sequence Diagram**



### 7.24. High Performance Mode (HPM) (A3H)

The High Performance Mode (HPM) command must be executed prior to Dual or Quad I/O commands when operating at high frequencies (see  $f_R$  and  $f_{C2}$  in AC Electrical Characteristics). This command allows pre-charging of internal charge pumps so the voltages required for accessing the flash memory array are readily available. The command sequence: CS# goes low → Sending A3H command → Sending 3-dummy byte → CS# goes high. See Figure 27. After the HPM command is executed, the device will maintain a slightly higher standby current ( $I_{CC8}$ ) than standard SPI operation. The Release from Power-Down or HPM command (ABH) can be used to return to standard SPI standby current ( $I_{CC1}$ ). In addition, Power-Down command (B9H) will also release the device from HPM mode back to standard SPI standby state.

Figure 27. High Performance Mode Sequence Diagram

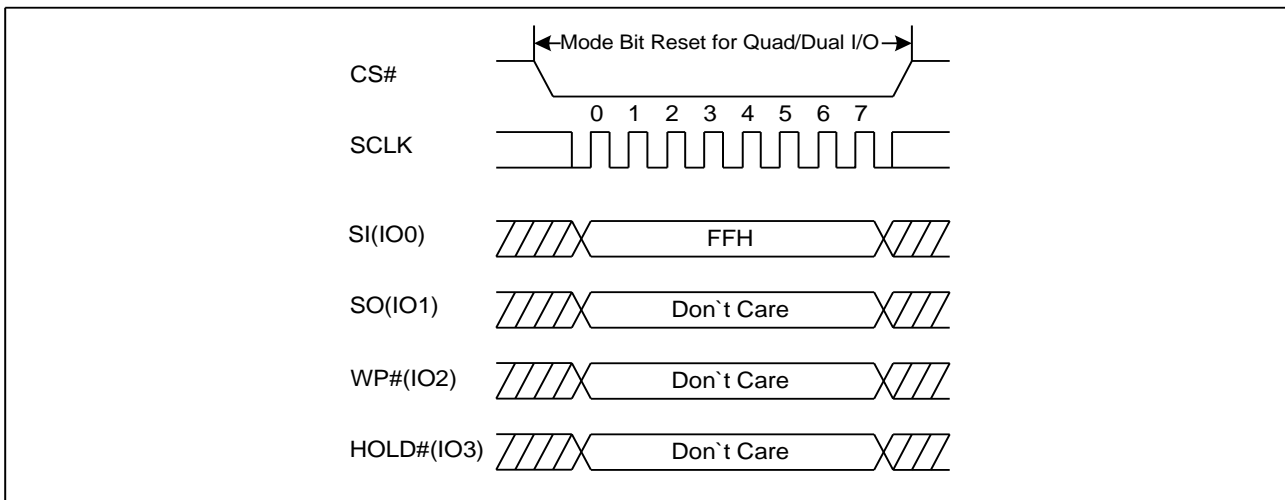


## 7.25. Continuous Read Mode Reset (CRMR) (FFH)

The Dual/Quad I/O Fast Read operations, “Continuous Read Mode” bits (M7-0) are implemented to further reduce command overhead. By setting the (M7-0) to AXH, the next Dual/Quad I/O Fast Read operations do not require the BBH/EBH/E7H command code.

Because the GD25VQ80C has no hardware reset pin, so if Continuous Read Mode bits are set to “AXH”, the GD25VQ80C will not recognize any standard SPI commands. So Continuous Read Mode Reset command will release the Continuous Read Mode from the “AXH” state and allow standard SPI command to be recognized. The command sequence is show in Figure28.

Figure 28. Continuous Read Mode Reset Sequence Diagram



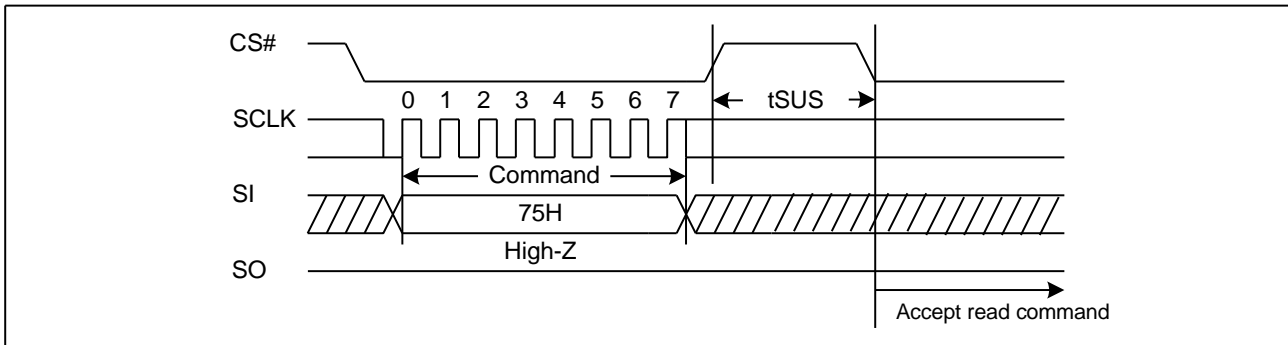


### 7.26. Program/Erase Suspend (PES) (75H)

The Program/Erase Suspend command “75H”, allows the system to interrupt a page program or sector/block erase operation and then read data from any other sector or block. The Write Status Register command (01H) and Erase/Program Security Registers command (44H, 42H) and Erase commands (20H, 52H, D8H, C7H, 60H) and Page Program command (02H / 32H) are not allowed during Program/Erase suspend. Program/Erase Suspend is valid only during the page program or sector/block erase operation. A maximum of time of “tsus” (See AC Characteristics) is required to suspend the program/erase operation.

The Program/Erase Suspend command will be accepted by the device only if the SUS bit in the Status Register equal to 0 and WIP bit equal to 1 while a Page Program or a Sector or Block Erase operation is on-going. If the SUS bit equal to 1 or WIP bit equal to 0, the Suspend command will be ignored by the device. The WIP bit will be cleared from 1 to 0 within “tsus” and the SUS bit will be set from 0 to 1 immediately after Program/Erase Suspend. A power-off during the suspend period will reset the device and release the suspend state. The command sequence is show in Figure29.

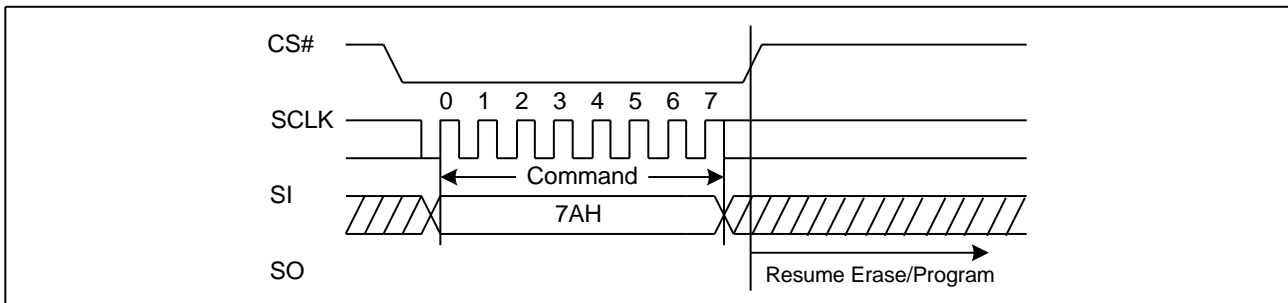
**Figure 29. Program/Erase Suspend Sequence Diagram**



### 7.27. Program/Erase Resume (PER) (7AH)

The Program/Erase Resume command must be written to resume the program or sector/block erase operation after a Program/Erase Suspend command. The Program/Erase Resume command will be accepted by the device only if the SUS bit equal to 1 and the WIP bit equal to 0. After issued the SUS bit in the status register will be cleared from 1 to 0 immediately, the WIP bit will be set from 0 to 1 within 200ns and the Sector or Block will complete the erase operation or the page will complete the program operation. The Program/Erase Resume command will be ignored unless a Program/Erase Suspend is active. The command sequence is show in Figure30.

**Figure 30. Program/Erase Resume Sequence Diagram**



### 7.28. Erase Security Registers (44H)

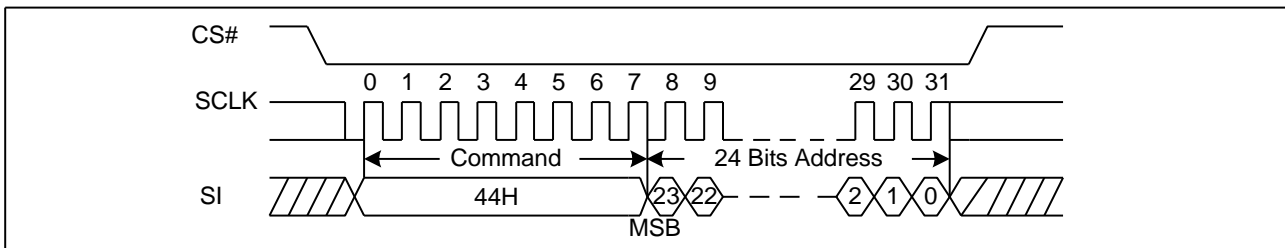
The GD25VQ80C provides four 256-byte Security Registers which can be erased and programmed individually. These registers may be used by the system manufacturers to store security and other important information separately from the main memory array.

The Erase Security Registers command is similar to Sector/Block Erase command. A Write Enable (WREN) command must previously have been executed to set the Write Enable Latch (WEL) bit.

The Erase Security Registers command sequence: CS# goes low → sending Erase Security Registers command → CS# goes high. The command sequence is shown in Figure31. CS# must be driven high after the eighth bit of the command code has been latched in, otherwise the Erase Security Registers command is not executed. As soon as CS# is driven high, the self-timed Erase Security Registers cycle (whose duration is  $t_{SE}$ ) is initiated. While the Erase Security Registers cycle is in progress, the Status Register may be read to check the value of the Write In Progress (WIP) bit. The Write In Progress (WIP) bit is 1 during the self-timed Erase Security Registers cycle, and is 0 when it is completed. At some unspecified time before the cycle is completed, the Write Enable Latch (WEL) bit is reset. The Security Registers Lock Bit (LB) in the Status Register can be used to OTP protect the security registers. Once the LB bit is set to 1, the Security Registers will be permanently locked; the Erase Security Registers command will be ignored.

| Address            | A23-A16  | A15-A10 | A9-A0      |
|--------------------|----------|---------|------------|
| Security Registers | 00000000 | 000000  | Don't Care |

**Figure 31. Erase Security Registers command Sequence Diagram**



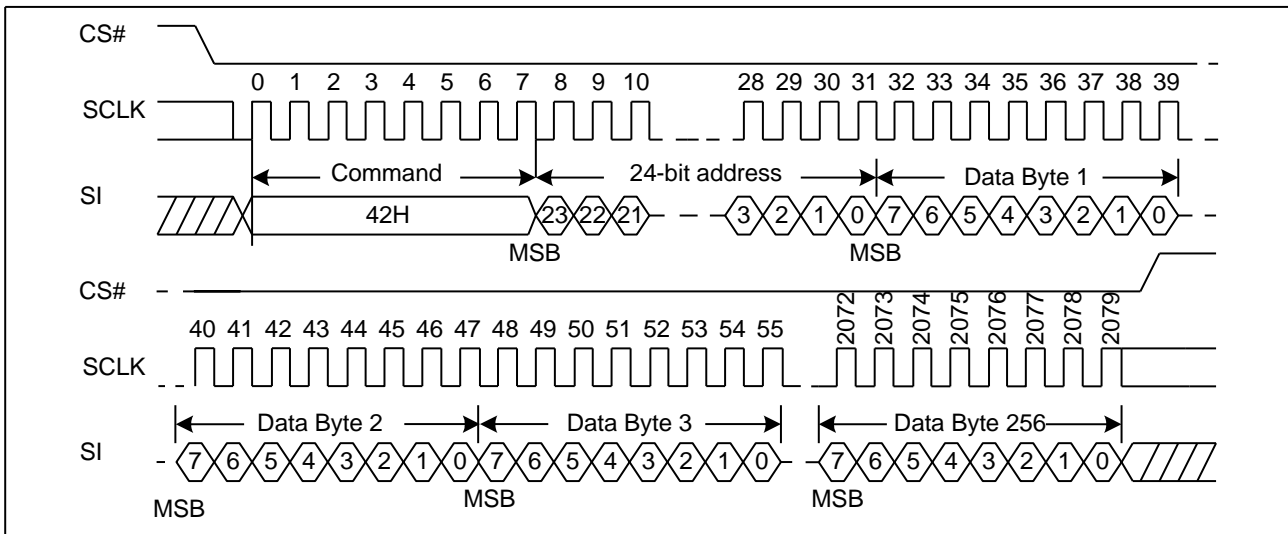
### 7.29. Program Security Registers (42H)

The Program Security Registers command is similar to the Page Program command. It allows from 1 to 256 bytes Security Registers data to be programmed. A Write Enable (WREN) command must previously have been executed to set the Write Enable Latch (WEL) bit before sending the Program Security Registers command. The Program Security Registers command is entered by driving CS# Low, followed by the command code (42H), three address bytes and at least one data byte on SI. As soon as CS# is driven high, the self-timed Program Security Registers cycle (whose duration is  $t_{PP}$ ) is initiated. While the Program Security Registers cycle is in progress, the Status Register may be read to check the value of the Write In Progress (WIP) bit. The Write In Progress (WIP) bit is 1 during the self-timed Program Security Registers cycle, and is 0 when it is completed. At some unspecified time before the cycle is completed, the Write Enable Latch (WEL) bit is reset.

If the Security Registers Lock Bit (LB) is set to 1, the Security Registers will be permanently locked. Program Security Registers command will be ignored.

| Address              | A23-A16 | A15-A8 | A7-A0        |
|----------------------|---------|--------|--------------|
| Security Registers 0 | 00H     | 00H    | Byte Address |
| Security Registers 1 | 00H     | 01H    | Byte Address |
| Security Registers 2 | 00H     | 02H    | Byte Address |
| Security Registers 3 | 00H     | 03H    | Byte Address |

**Figure 32. Program Security Registers command Sequence Diagram**

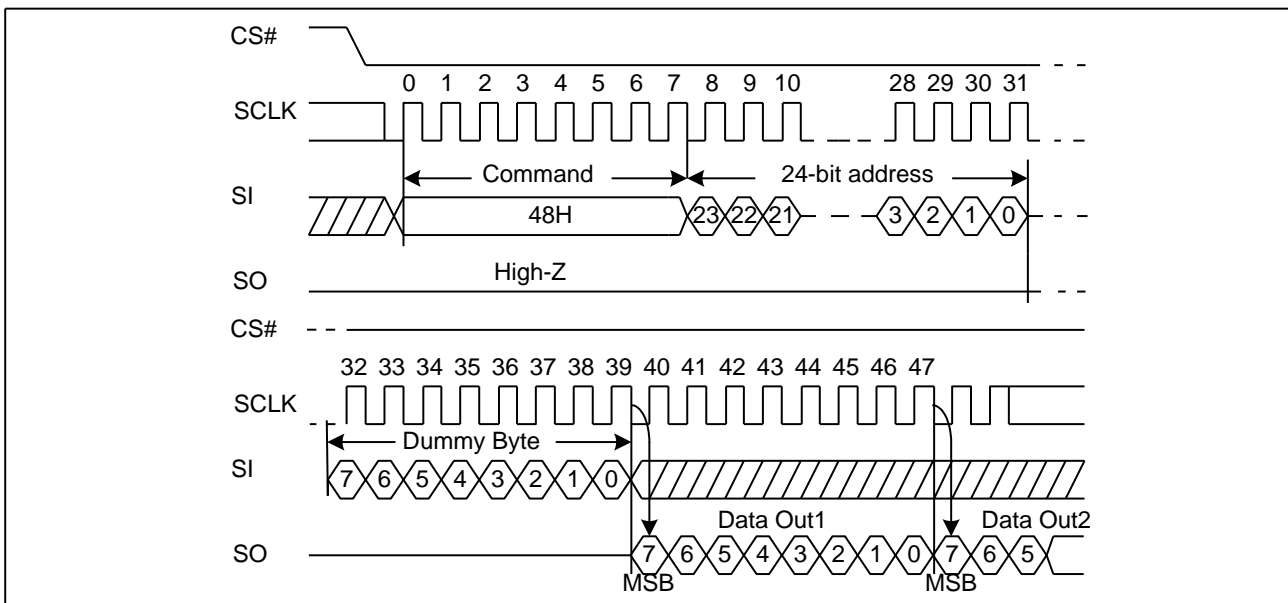


### 7.30. Read Security Registers (48H)

The Read Security Registers command is similar to Fast Read command. The command is followed by a 3-byte address (A23-A0) and a dummy byte, each bit being latched-in during the rising edge of SCLK. Then the memory content, at that address, is shifted out on SO, each bit being shifted out, at a Max frequency  $f_c$ , during the falling edge of SCLK. The first byte addressed can be at any location. The address is automatically incremented to the next higher address after each byte of data is shifted out. Once the A9-A0 address reaches the last byte of the register (Byte 3FFH), it will reset to 000H, the command is completed by driving CS# high.

| Address                     | A23-A16 | A15-A8 | A7-A0               |
|-----------------------------|---------|--------|---------------------|
| <b>Security Registers 0</b> | 00H     | 00H    | <b>Byte Address</b> |
| <b>Security Registers 1</b> | 00H     | 01H    | <b>Byte Address</b> |
| <b>Security Registers 2</b> | 00H     | 02H    | <b>Byte Address</b> |
| <b>Security Registers 3</b> | 00H     | 03H    | <b>Byte Address</b> |

**Figure 33. Read Security Registers command Sequence Diagram**

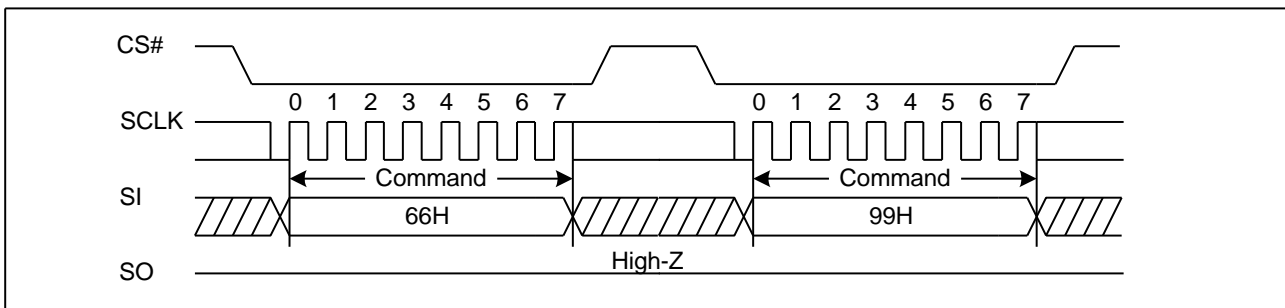


### 7.31. Enable Reset (66H) and Reset (99H)

If the Reset command is accepted, any on-going internal operation will be terminated and the device will return to its default power-on state and lose all the current volatile settings, such as Volatile Status Register bits, Write Enable Latch status (WEL), Program/Erase Suspend status, Read Parameter setting (P7-P0), Continuous Read Mode bit setting (M7-M0) and Wrap Bit Setting (W6-W4).

The “Reset (99H)” command sequence as follow: CS# goes low → Sending Enable Reset command → CS# goes high → CS# goes low → Sending Reset command → CS# goes high. Once the Reset command is accepted by the device, the device will take approximately  $t_{RST}$ /  $t_{RST\_E}$  to reset. During this period, no command will be accepted. Data corruption may happen if there is an on-going or suspended internal Erase or Program operation when Reset command sequence is accepted by the device. It is recommended to check the BUSY bit and the SUS bit in Status Register before issuing the Reset command sequence.

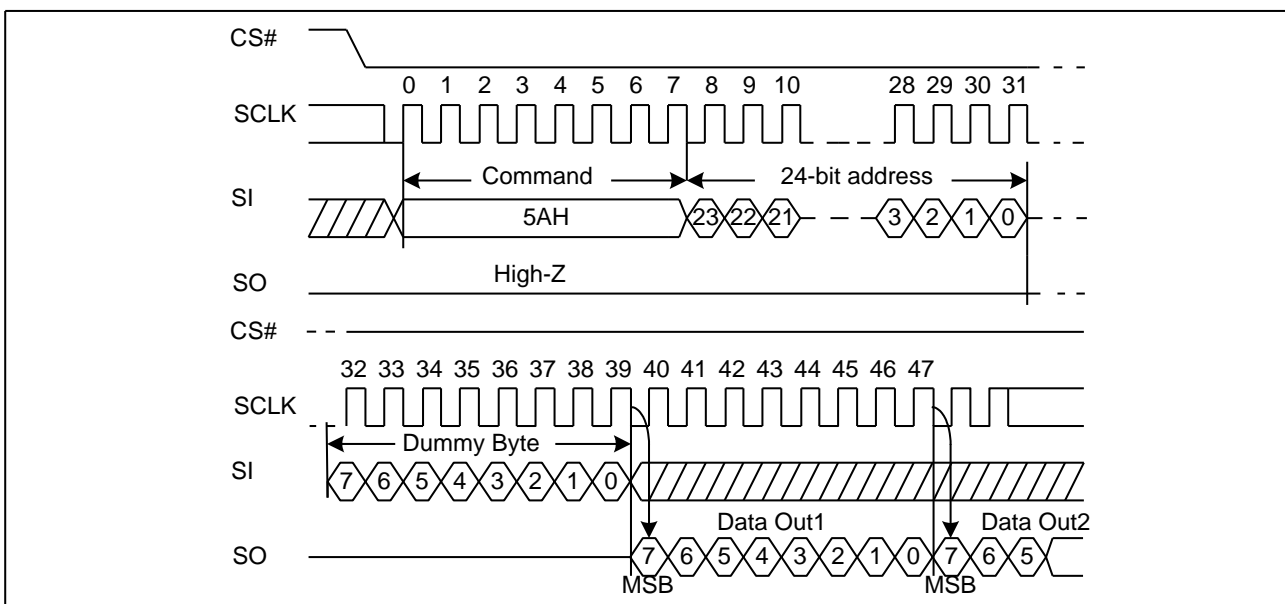
**Figure 34. Enable Reset and Reset command Sequence Diagram**



### 7.32. Read Serial Flash Discoverable Parameter (5AH)

The Serial Flash Discoverable Parameter (SFDP) standard provides a consistent method of describing the functional and feature capabilities of serial flash devices in a standard set of internal parameter tables. These parameter tables can be interrogated by host system software to enable adjustments needed to accommodate divergent features from multiple vendors. The concept is similar to the one found in the Introduction of JEDEC Standard, JESD68 on CFI. SFDP is a standard of JEDEC Standard No.216.

**Figure 35. Read Serial Flash Discoverable Parameter command Sequence Diagram**



**Table3. Signature and Parameter Identification Data Values**

| Description                             | Comment   | Add(H)<br>(Byte) | DW Add<br>(Bit) | Data | Data |
|---|---|------------------|-----------------|------|------|
| SFDP Signature                          | Fixed:50444653H                                   | 00H              | 07:00           | 53H  | 53H  |
|   |   | 01H              | 15:08           | 46H  | 46H  |
|   |   | 02H              | 23:16           | 44H  | 44H  |
|   |   | 03H              | 31:24           | 50H  | 50H  |
| SFDP Minor Revision Number              | Start from 00H                                    | 04H              | 07:00           | 00H  | 00H  |
| SFDP Major Revision Number              | Start from 01H                                    | 05H              | 15:08           | 01H  | 01H  |
| Number of Parameters Headers            | Start from 00H                                    | 06H              | 23:16           | 01H  | 01H  |
| Unused                                  | Contains 0xFFH and can never be changed           | 07H              | 31:24           | FFH  | FFH  |
| ID number (JEDEC)                       | 00H: It indicates a JEDEC specified header        | 08H              | 07:00           | 00H  | 00H  |
| Parameter Table Minor Revision Number   | Start from 0x00H                                  | 09H              | 15:08           | 00H  | 00H  |
| Parameter Table Major Revision Number   | Start from 0x01H                                  | 0AH              | 23:16           | 01H  | 01H  |
| Parameter Table Length (in double word) | How many DWORDs in the Parameter table            | 0BH              | 31:24           | 09H  | 09H  |
| Parameter Table Pointer (PTP)           | First address of JEDEC Flash Parameter table      | 0CH              | 07:00           | 30H  | 30H  |
|   |   | 0DH              | 15:08           | 00H  | 00H  |
|   |   | 0EH              | 23:16           | 00H  | 00H  |
| Unused                                  | Contains 0xFFH and can never be changed           | 0FH              | 31:24           | FFH  | FFH  |
| ID Number (GigaDevice Manufacturer ID)  | It is indicates GigaDevice manufacturer ID        | 10H              | 07:00           | C8H  | C8H  |
| Parameter Table Minor Revision Number   | Start from 0x00H                                  | 11H              | 15:08           | 00H  | 00H  |
| Parameter Table Major Revision Number   | Start from 0x01H                                  | 12H              | 23:16           | 01H  | 01H  |
| Parameter Table Length (in double word) | How many DWORDs in the Parameter table            | 13H              | 31:24           | 03H  | 03H  |
| Parameter Table Pointer (PTP)           | First address of GigaDevice Flash Parameter table | 14H              | 07:00           | 60H  | 60H  |
|   |   | 15H              | 15:08           | 00H  | 00H  |
|   |   | 16H              | 23:16           | 00H  | 00H  |
| Unused                                  | Contains 0xFFH and can never be changed           | 17H              | 31:24           | FFH  | FFH  |

**Table4. Parameter Table (0): JEDEC Flash Parameter Tables**

| Description   | Comment   | Add(H)<br>(Byte) | DW Add<br>(Bit) | Data       | Data |
|---|---|------------------|-----------------|------------|------|
| Block/Sector Erase Size   | 00: Reserved; 01: 4KB erase;<br>10: Reserved;<br>11: not support 4KB erase  | 30H              | 01:00           | 01b        | E5H  |
| Write Granularity   | 0: 1Byte, 1: 64Byte or larger   |                  | 02              | 1b         |      |
| Write Enable Instruction Requested for Writing to Volatile Status Registers | 0: Nonvolatile status bit<br>1: Volatile status bit<br>(BP status register bit)   |                  | 03              | 0b         |      |
| Write Enable Opcode Select for Writing to Volatile Status Registers         | 0: Use 50H Opcode,<br>1: Use 06H Opcode,<br>Note: If target flash status register is Nonvolatile, then bits 3 and 4 must be set to 00b. |                  | 04              | 0b         |      |
| Unused  | Contains 111b and can never be changed  |                  | 07:05           | 111b       |      |
| 4KB Erase Opcode  |   | 31H              | 15:08           | 20H        | 20H  |
| (1-1-2) Fast Read   | 0=Not support, 1=Support  | 32H              | 16              | 1b         | F1H  |
| Address Bytes Number used in addressing flash array                         | 00: 3Byte only, 01: 3 or 4Byte,<br>10: 4Byte only, 11: Reserved   |                  | 18:17           | 00b        |      |
| Double Transfer Rate (DTR) clocking   | 0=Not support, 1=Support  |                  | 19              | 0b         |      |
| (1-2-2) Fast Read   | 0=Not support, 1=Support  |                  | 20              | 1b         |      |
| (1-4-4) Fast Read   | 0=Not support, 1=Support  |                  | 21              | 1b         |      |
| (1-1-4) Fast Read   | 0=Not support, 1=Support  |                  | 22              | 1b         |      |
| Unused  |   |                  | 23              | 1b         |      |
| Unused  |   |                  | 33H             | 31:24      |      |
| Flash Memory Density  |   | 37H:34H          | 31:00           | 007FFFFFFH |      |
| (1-4-4) Fast Read Number of Wait states                                     | 0 0000b: Wait states (Dummy Clocks) not support   | 38H              | 04:00           | 00100b     | 44H  |
| (1-4-4) Fast Read Number of Mode Bits                                       | 000b:Mode Bits not support  |                  | 07:05           | 010b       |      |
| (1-4-4) Fast Read Opcode  |   | 39H              | 15:08           | EBH        | EBH  |
| (1-1-4) Fast Read Number of Wait states                                     | 0 0000b: Wait states (Dummy Clocks) not support   | 3AH              | 20:16           | 01000b     | 08H  |
| (1-1-4) Fast Read Number of Mode Bits                                       | 000b:Mode Bits not support  |                  | 23:21           | 000b       |      |
| (1-1-4) Fast Read Opcode  |   | 3BH              | 31:24           | 6BH        | 6BH  |



**Uniform Sector  
Dual and Quad Serial Flash**

**GD25VQ80C**

| Description                             | Comment   | Add(H)<br>(Byte) | DW Add<br>(Bit) | Data   | Data  |
|---|---|------------------|-----------------|--------|-------|
| (1-1-2) Fast Read Number of Wait states | 0 0000b: Wait states (Dummy Clocks) not support                               | 3CH              | 04:00           | 01000b | 08H   |
| (1-1-2) Fast Read Number of Mode Bits   | 000b: Mode Bits not support   |                  | 07:05           | 000b   |       |
| (1-1-2) Fast Read Opcode                |   | 3DH              | 15:08           | 3BH    | 3BH   |
| (1-2-2) Fast Read Number of Wait states | 0 0000b: Wait states (Dummy Clocks) not support                               | 3EH              | 20:16           | 00010b | 42H   |
| (1-2-2) Fast Read Number of Mode Bits   | 000b: Mode Bits not support   |                  | 23:21           | 010b   |       |
| (1-2-2) Fast Read Opcode                |   | 3FH              | 31:24           | BBH    | BBH   |
| (2-2-2) Fast Read                       | 0=not support 1=support   | 40H              | 00              | 0b     | EEH   |
| Unused                                  |   |                  | 03:01           | 111b   |       |
| (4-4-4) Fast Read                       | 0=not support 1=support   |                  | 04              | 0b     |       |
| Unused                                  |   |                  | 07:05           | 111b   |       |
| Unused                                  |   | 43H:41H          | 31:08           | 0xFFH  | 0xFFH |
| Unused                                  |   | 45H:44H          | 15:00           | 0xFFH  | 0xFFH |
| (2-2-2) Fast Read Number of Wait states | 0 0000b: Wait states (Dummy Clocks) not support                               | 46H              | 20:16           | 00000b | 00H   |
| (2-2-2) Fast Read Number of Mode Bits   | 000b: Mode Bits not support   |                  | 23:21           | 000b   |       |
| (2-2-2) Fast Read Opcode                |   | 47H              | 31:24           | FFH    | FFH   |
| Unused                                  |   | 49H:48H          | 15:00           | 0xFFH  | 0xFFH |
| (4-4-4) Fast Read Number of Wait states | 0 0000b: Wait states (Dummy Clocks) not support                               | 4AH              | 20:16           | 00000b | 00H   |
| (4-4-4) Fast Read Number of Mode Bits   | 000b: Mode Bits not support   |                  | 23:21           | 000b   |       |
| (4-4-4) Fast Read Opcode                |   | 4BH              | 31:24           | FFH    | FFH   |
| Sector Type 1 Size                      | Sector/block size=2 <sup>N</sup> bytes<br>0x00b: this sector type don't exist | 4CH              | 07:00           | 0CH    | 0CH   |
| Sector Type 1 erase Opcode              |   | 4DH              | 15:08           | 20H    | 20H   |
| Sector Type 2 Size                      | Sector/block size=2 <sup>N</sup> bytes<br>0x00b: this sector type don't exist | 4EH              | 23:16           | 0FH    | 0FH   |
| Sector Type 2 erase Opcode              |   | 4FH              | 31:24           | 52H    | 52H   |
| Sector Type 3 Size                      | Sector/block size=2 <sup>N</sup> bytes<br>0x00b: this sector type don't exist | 50H              | 07:00           | 10H    | 10H   |
| Sector Type 3 erase Opcode              |   | 51H              | 15:08           | D8H    | D8H   |
| Sector Type 4 Size                      | Sector/block size=2 <sup>N</sup> bytes<br>0x00b: this sector type don't exist | 52H              | 23:16           | 00H    | 00H   |
| Sector Type 4 erase Opcode              |   | 53H              | 31:24           | FFH    | FFH   |

**Table5. Parameter Table (1): GigaDevice Flash Parameter Tables**

| Description   | Comment   | Add(H)<br>(Byte) | DW Add<br>(Bit) | Data  | Data  |
|---|---|------------------|-----------------|-------|-------|
| Vcc Supply Maximum Voltage  | 2000H=2.000V<br>2700H=2.700V<br>3600H=3.600V  | 61H:60<br>H      | 15:00           | 3600H | 3600H |
| Vcc Supply Minimum Voltage  | 1650H=1.650V<br>2250H=2.250V<br>2300H=2.300V<br>2700H=2.700V                          | 63H:62<br>H      | 31:16           | 2300H | 2300H |
| HW Reset# pin   | 0=not support 1=support   | 65H:64<br>H      | 00              | 0b    | F99EH |
| HW Hold# pin  | 0=not support 1=support   |                  | 01              | 1b    |       |
| Deep Power Down Mode  | 0=not support 1=support   |                  | 02              | 1b    |       |
| SW Reset  | 0=not support 1=support   |                  | 03              | 1b    |       |
| SW Reset Opcode   | Should be issue Reset Enable(66H) before Reset cmd.                                   |                  | 11:04           | 99H   |       |
| Program Suspend/Resume  | 0=not support 1=support   |                  | 12              | 1b    |       |
| Erase Suspend/Resume  | 0=not support 1=support   |                  | 13              | 1b    |       |
| Unused  |   |                  | 14              | 1b    |       |
| Wrap-Around Read mode   | 0=not support 1=support   |                  | 15              | 1b    |       |
| Wrap-Around Read mode Opcode                                      |   | 66H              | 23:16           | 77H   | 77H   |
| Wrap-Around Read data length                                      | 08H:support 8B wrap-around read<br>16H:8B&16B<br>32H:8B&16B&32B<br>64H:8B&16B&32B&64B | 67H              | 31:24           | 64H   | 64H   |
| Individual block lock   | 0=not support 1=support   | 6BH:68<br>H      | 00              | 0b    | EBFCH |
| Individual block lock bit (Volatile/Nonvolatile)                  | 0=Volatile 1=Nonvolatile  |                  | 01              | 0b    |       |
| Individual block lock Opcode                                      |   |                  | 09:02           | FFH   |       |
| Individual block lock Volatile protect bit default protect status | 0=protect 1=unprotect   |                  | 10              | 0b    |       |
| Secured OTP   | 0=not support 1=support   |                  | 11              | 1b    |       |
| Read Lock   | 0=not support 1=support   |                  | 12              | 0b    |       |
| Permanent Lock  | 0=not support 1=support   |                  | 13              | 1b    |       |
| Unused  |   |                  | 15:14           | 11b   |       |
| Unused  |   |                  | 31:16           | FFFFH |       |



## 8. ELECTRICAL CHARACTERISTICS

### 8.1. POWER-ON TIMING

Figure 36. Power-on Timing Sequence Diagram

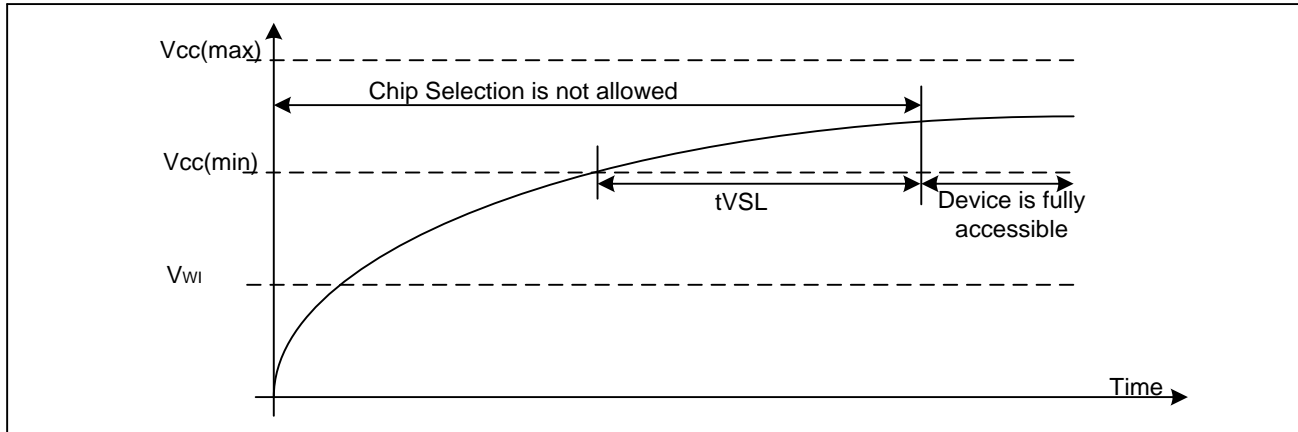


Table6. Power-Up Timing and Write Inhibit Threshold

| Symbol | Parameter             | Min | Max | Unit |
|--------|-----------------------|-----|-----|------|
| tVSL   | VCC(min) To CS# Low   | 1.8 |     | ms   |
| VWI    | Write Inhibit Voltage | 1.5 | 2.2 | V    |

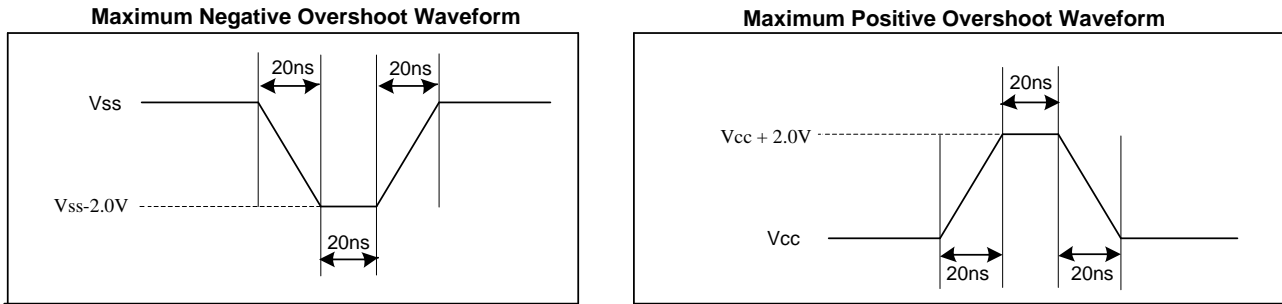
### 8.2. INITIAL DELIVERY STATE

The device is delivered with the memory array erased: all bits are set to 1 (each byte contains FFH). The Status Register contains 00H (all Status Register bits are 0).

### 8.3. ABSOLUTE MAXIMUM RATINGS

| Parameter                        | Value           | Unit |
|----------------------------------|-----------------|------|
| Ambient Operating Temperature    | -40 to 85       | °C   |
| Storage Temperature              | -65 to 150      | °C   |
| Applied Input/Output Voltage     | -0.6 to VCC+0.4 | V    |
| Transient Input / Output Voltage | -2.0 to VCC+2.0 | V    |
| VCC                              | -0.6 to 4.2     | V    |

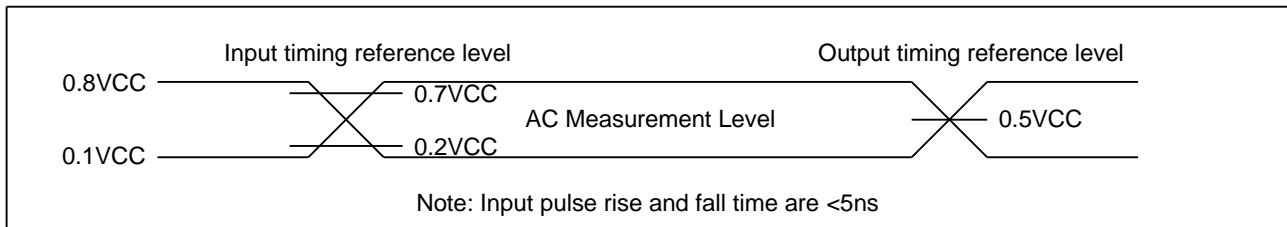
Figure 37. Maximum Negative and Positive Overshoot Waveform



#### 8.4. CAPACITANCE MEASUREMENT CONDITIONS

| Symbol           | Parameter                       | Min.                                     | Typ. | Max. | Unit | Conditions           |
|------------------|---------------------------------|--|------|------|------|----------------------|
| C <sub>IN</sub>  | Input Capacitance               |  |      | 6    | pF   | V <sub>IN</sub> =0V  |
| C <sub>OUT</sub> | Output Capacitance              |  |      | 8    | pF   | V <sub>OUT</sub> =0V |
| C <sub>L</sub>   | Load Capacitance                | 30                                       |      |      | pF   |                      |
|                  | Input Rise And Fall time        |  |      | 5    | ns   |                      |
|                  | Input Pulse Voltage             | 0.1V <sub>CC</sub> to 0.8V <sub>CC</sub> |      |      | V    |                      |
|                  | Input Timing Reference Voltage  | 0.2V <sub>CC</sub> to 0.7V <sub>CC</sub> |      |      | V    |                      |
|                  | Output Timing Reference Voltage | 0.5V <sub>CC</sub>                       |      |      | V    |                      |

Figure 38. Input Test Waveform and Measurement Level





**8.5. DC CHARACTERISTICS**

(T= -40°C~85°C, VCC=2.3~3.6V)

| Symbol           | Parameter                | Test Condition   | Min.    | Typ | Max.   | Unit. |
|------------------|--------------------------|--|---------|-----|--------|-------|
| I <sub>LI</sub>  | Input Leakage Current    |  |         |     | ±2     | μA    |
| I <sub>LO</sub>  | Output Leakage Current   |  |         |     | ±2     | μA    |
| I <sub>CC1</sub> | Standby Current          | CS#=VCC,<br>V <sub>IN</sub> =VCC or VSS                      |         | 1   | 5      | μA    |
| I <sub>CC2</sub> | Deep Power-Down Current  | CS#=VCC,<br>V <sub>IN</sub> =VCC or VSS                      |         | 1   | 5      | μA    |
| I <sub>CC3</sub> | Operating Current (Read) | CLK=0.1VCC /<br>0.9VCC<br>at 104MHz,<br>Q=Open(*1,*2,*4 I/O) |         | 15  | 20     | mA    |
|                  |                          | CLK=0.1VCC /<br>0.9VCC<br>at 80MHz,<br>Q=Open(*1,*2,*4 I/O)  |         | 13  | 18     | mA    |
| I <sub>CC4</sub> | Operating Current (PP)   | CS#=VCC  |         |     | 20     | mA    |
| I <sub>CC5</sub> | Operating Current(WRSR)  | CS#=VCC  |         |     | 20     | mA    |
| I <sub>CC6</sub> | Operating Current (SE)   | CS#=VCC  |         |     | 20     | mA    |
| I <sub>CC7</sub> | Operating Current (BE)   | CS#=VCC  |         |     | 20     | mA    |
| I <sub>CC8</sub> | Operating Current (CE)   | CS#=VCC  |         |     | 20     | mA    |
| I <sub>CC9</sub> | High Performance Current |  |         | 0.6 | 1.2    | mA    |
| V <sub>IL</sub>  | Input Low Voltage        |  |         |     | 0.2VCC | V     |
| V <sub>IH</sub>  | Input High Voltage       |  | 0.7VCC  |     |        | V     |
| V <sub>OL</sub>  | Output Low Voltage       | I <sub>OL</sub> =100μA                                       |         |     | 0.2    | V     |
| V <sub>OH</sub>  | Output High Voltage      | I <sub>OH</sub> =-100μA                                      | VCC-0.2 |     |        | V     |

Note:

1. Typical values given for TA=25°C.
2. Value guaranteed by design and/or characterization, not 100% tested in production.



**8.6. AC CHARACTERISTICS**

(T= -40°C~85°C, VCC=2.3~3.6V, CL=30pf)

| Symbol             | Parameter   | Min. | Typ. | Max. | Unit. |
|--------------------|---|------|------|------|-------|
| f <sub>c</sub>     | Serial Clock Frequency For: Dual I/O(BBH), Quad I/O(EBH), Quad Output(6BH) (Dual I/O & Quad I/O Without High Performance Mode), on 3.0V-3.6V power supply |      |      | 80   | MHz   |
| f <sub>c1</sub>    | Serial Clock Frequency For: Dual I/O(BBH), Quad I/O(EBH), Quad Output(6BH) (Dual I/O & Quad I/O Without High Performance Mode), on 2.3V-3.0V power supply |      |      | 60   | MHz   |
| f <sub>c2</sub>    | Serial Clock Frequency For: Dual I/O(BBH), Quad I/O(EBH), Quad Output(6BH) (Dual I/O & Quad I/O With High Performance Mode), on 2.3V-3.6V power supply    |      |      | 104  | MHz   |
| f <sub>R</sub>     | Serial Clock Frequency For: Read(03H)   |      |      | 60   | MHz   |
| t <sub>CLH</sub>   | Serial Clock High Time  | 4    |      |      | ns    |
| t <sub>CLL</sub>   | Serial Clock Low Time   | 4    |      |      | ns    |
| t <sub>CLCH</sub>  | Serial Clock Rise Time (Slew Rate)  | 0.1  |      |      | V/ns  |
| t <sub>CHCL</sub>  | Serial Clock Fall Time (Slew Rate)  | 0.1  |      |      | V/ns  |
| t <sub>SLCH</sub>  | CS# Active Setup Time   | 5    |      |      | ns    |
| t <sub>CHSH</sub>  | CS# Active Hold Time  | 5    |      |      | ns    |
| t <sub>SHCH</sub>  | CS# Not Active Setup Time   | 5    |      |      | ns    |
| t <sub>CHSL</sub>  | CS# Not Active Hold Time  | 5    |      |      | ns    |
| t <sub>SHSL</sub>  | CS# High Time (read/write)  | 20   |      |      | ns    |
| t <sub>SHQZ</sub>  | Output Disable Time   |      |      | 6    | ns    |
| t <sub>CLQX</sub>  | Output Hold Time  | 1.2  |      |      | ns    |
| t <sub>DVCH</sub>  | Data In Setup Time  | 2    |      |      | ns    |
| t <sub>CHDX</sub>  | Data In Hold Time   | 2    |      |      | ns    |
| t <sub>HLCH</sub>  | HOLD# Low Setup Time (relative to Clock)  | 5    |      |      | ns    |
| t <sub>HHCH</sub>  | HOLD# High Setup Time (relative to Clock)   | 5    |      |      | ns    |
| t <sub>CHHL</sub>  | HOLD# High Hold Time (relative to Clock)  | 5    |      |      | ns    |
| t <sub>CHHH</sub>  | HOLD# Low Hold Time (relative to Clock)   | 5    |      |      | ns    |
| t <sub>HLQZ</sub>  | HOLD# Low To High-Z Output  |      |      | 6    | ns    |
| t <sub>HHQX</sub>  | HOLD# High To Low-Z Output  |      |      | 6    | ns    |
| t <sub>CLQV</sub>  | Clock Low To Output Valid   |      |      | 7    | ns    |
| t <sub>WHSL</sub>  | Write Protect Setup Time Before CS# Low   | 20   |      |      | ns    |
| t <sub>SHWL</sub>  | Write Protect Hold Time After CS# High  | 100  |      |      | ns    |
| t <sub>DP</sub>    | CS# High To Deep Power-Down Mode  |      |      | 20   | μs    |
| t <sub>RES1</sub>  | CS# High To Standby Mode Without Electronic Signature Read  |      |      | 20   | μs    |
| t <sub>RES2</sub>  | CS# High To Standby Mode With Electronic Signature Read   |      |      | 20   | μs    |
| t <sub>RST</sub>   | CS# High To Next Command After Reset (Except From Erase)  |      |      | 30   | us    |
| t <sub>RST_E</sub> | CS# High To Next Command After Reset (From erase)   |      |      | 12   | ms    |



# Uniform Sector Dual and Quad Serial Flash

## GD25VQ80C

|                  |  |  |      |     |    |
|------------------|--|--|------|-----|----|
| t <sub>SUS</sub> | CS# High To Next Command After Suspend           |  |      | 20  | us |
| t <sub>W</sub>   | Write Status Register Cycle Time                 |  | 5    | 40  | ms |
| t <sub>BP1</sub> | Byte Program Time( First Byte)                   |  | 30   | 50  | us |
| t <sub>BP2</sub> | Additional Byte Program Time ( After First Byte) |  | 2.5  | 12  | us |
| t <sub>PP</sub>  | Page Programming Time                            |  | 0.7  | 3.0 | ms |
| t <sub>SE</sub>  | Sector Erase Time(4K Bytes)                      |  | 50   | 300 | ms |
| t <sub>BE1</sub> | Block Erase Time(32K Bytes)                      |  | 0.15 | 0.7 | s  |
| t <sub>BE2</sub> | Block Erase Time(64K Bytes)                      |  | 0.25 | 1.2 | s  |
| t <sub>CE</sub>  | Chip Erase Time(GD25VQ80C)                       |  | 5    | 13  | s  |

Note:

1. Typical values given for TA=25°C.
2. Value guaranteed by design and/or characterization, not 100% tested in production.

Figure 39. Serial Input Timing

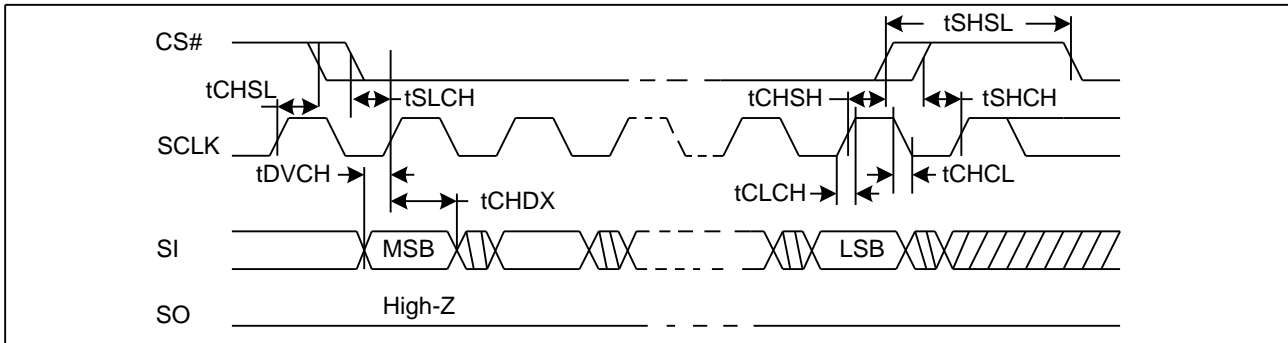


Figure 40. Output Timing

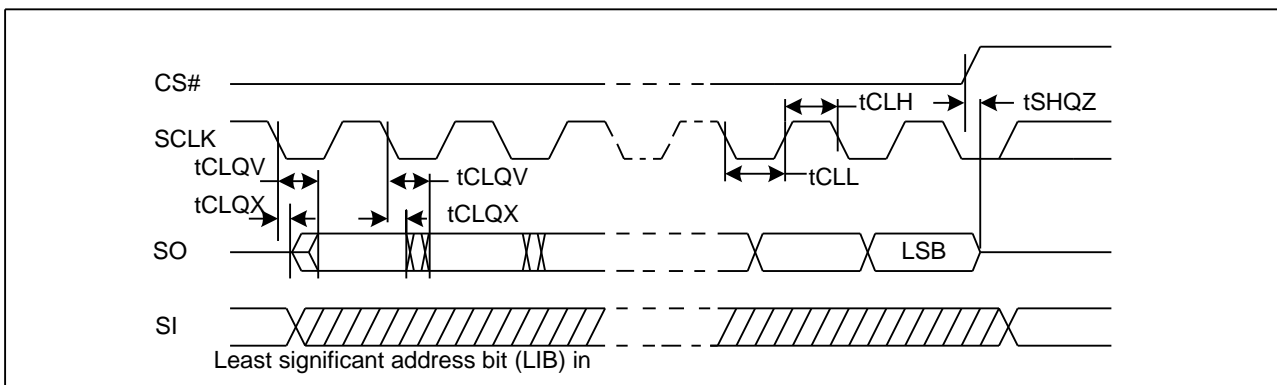
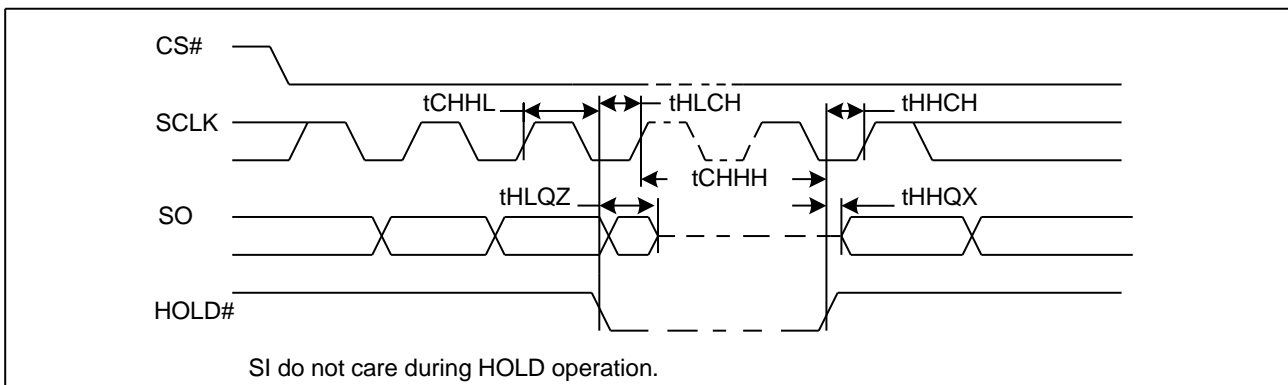
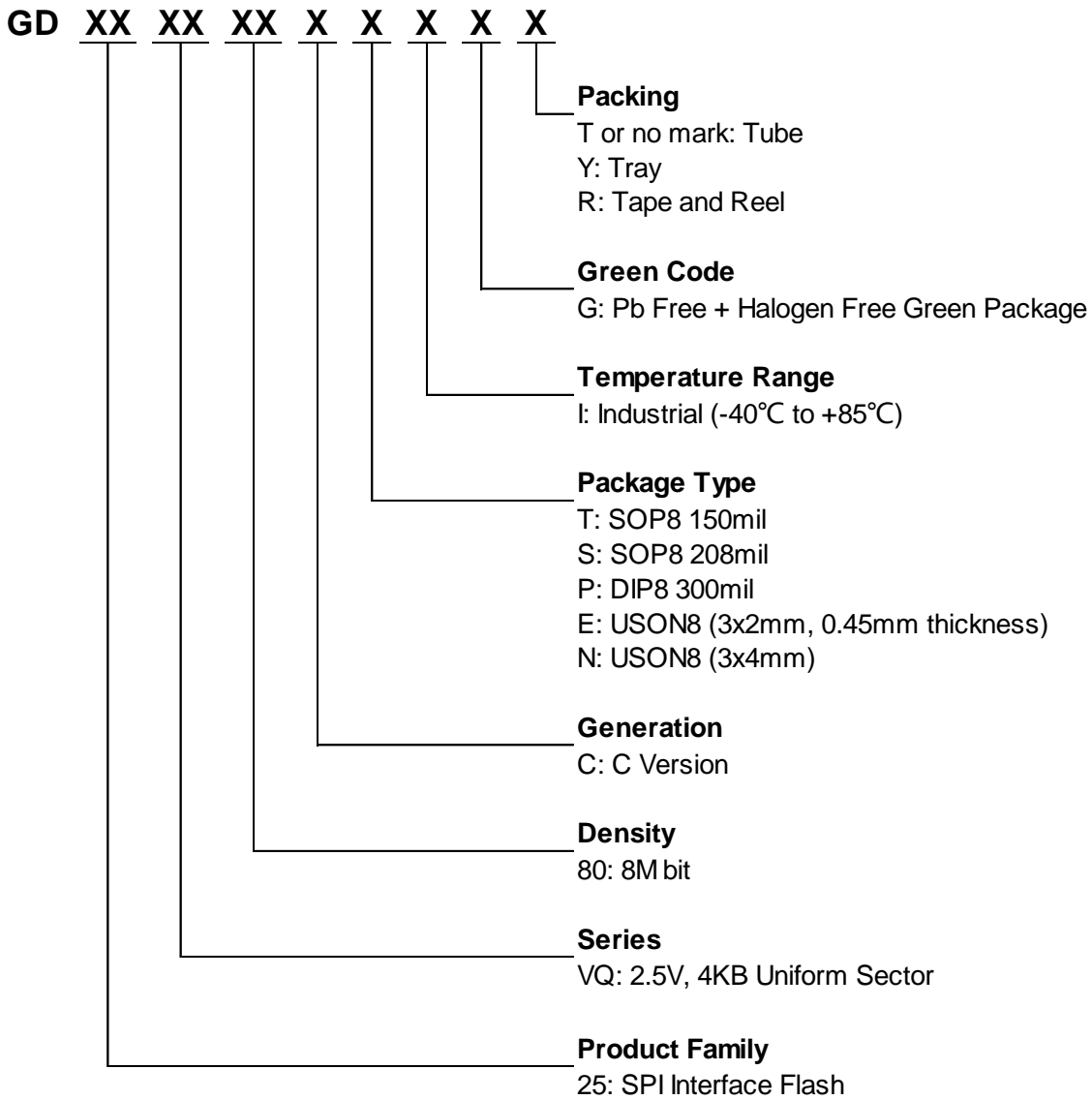


Figure 41. Hold Timing





**9. ORDERING INFORMATION**





**9.1. Valid Part Numbers**

Please contact GigaDevice regional sales for the latest product selection and available form factors.

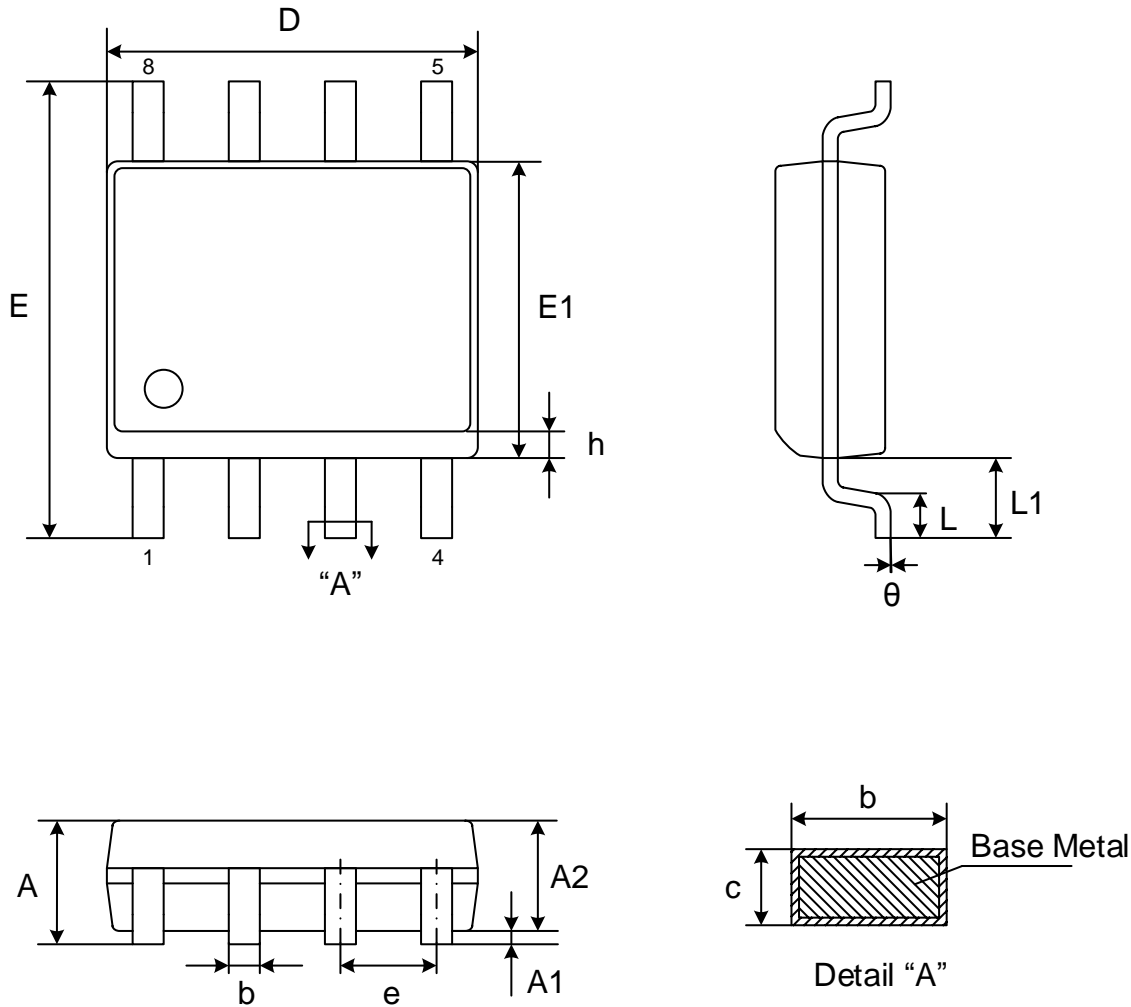
**Temperature Range I: Industrial (-40°C to +85°C)**

| <b>Product Number</b> | <b>Density</b> | <b>Package Type</b>             |
|-----------------------|----------------|---------------------------------|
| GD25VQ80CTIG          | 8Mbit          | SOP8 150mil                     |
| GD25VQ80CSIG          | 8Mbit          | SOP8 208mil                     |
| GD25VQ80CPIG          | 8Mbit          | DIP8 300mil                     |
| GD25VQ80CEIG          | 8Mbit          | USON8 (3x2mm, 0.45mm thickness) |
| GD25VQ80CNIG          | 8Mbit          | USON8 (3x4mm)                   |



## 10. PACKAGE INFORMATION

### 10.1 Package SOP8 150MIL



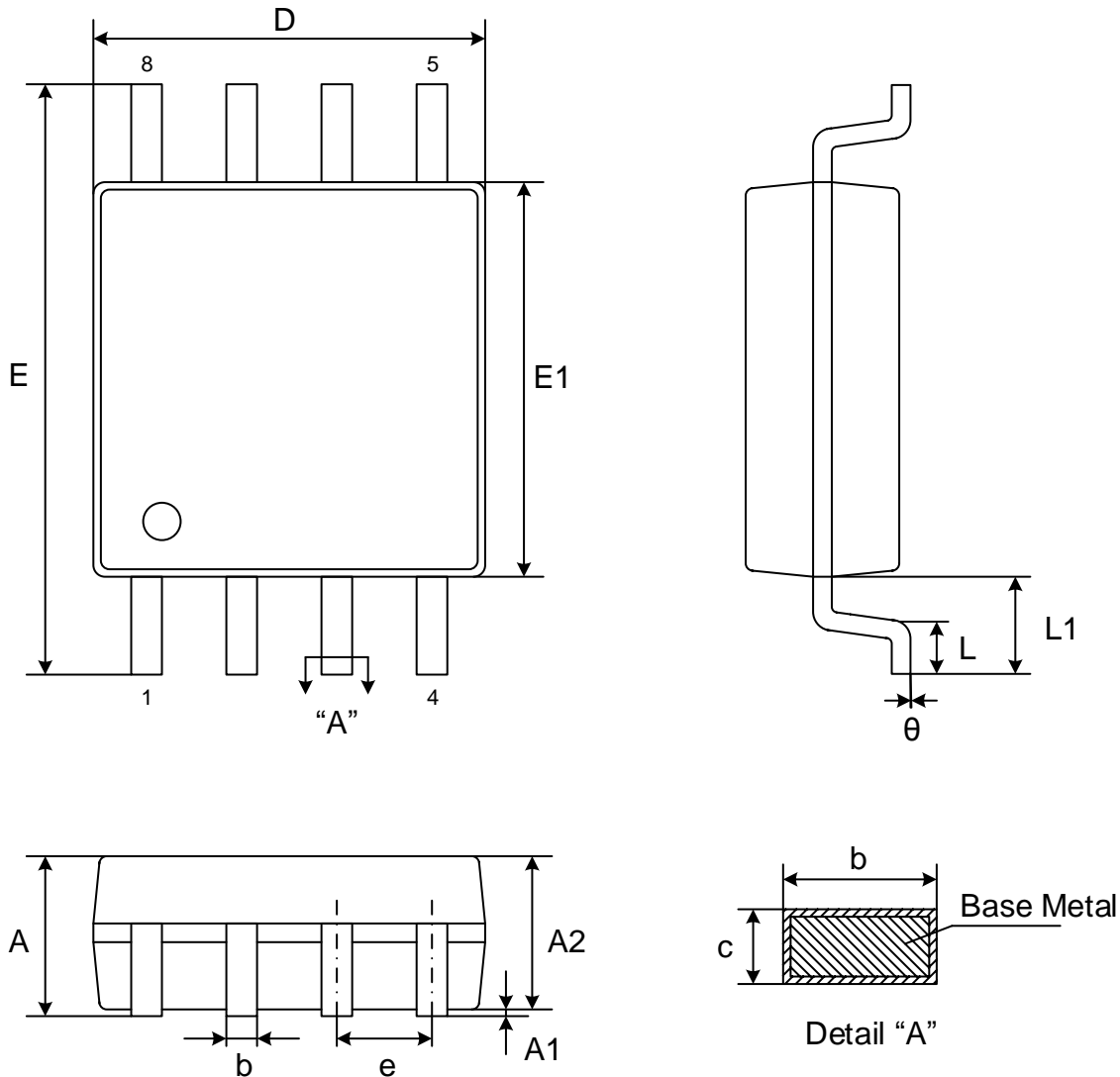
### Dimensions

| Symbol |     | A    | A1   | A2   | b    | c    | D    | E    | E1   | e    | L    | L1   | h    | $\theta$ |
|--------|-----|------|------|------|------|------|------|------|------|------|------|------|------|----------|
| Unit   |     |      |      |      |      |      |      |      |      |      |      |      |      |          |
| mm     | Min | -    | 0.10 | 1.25 | 0.31 | 0.10 | 4.80 | 5.80 | 3.80 | 1.27 | 0.40 | 1.04 | 0.25 | 0°       |
|        | Nom | -    | 0.15 | 1.45 | 0.41 | 0.20 | 4.90 | 6.00 | 3.90 |      | -    |      | -    | -        |
|        | Max | 1.75 | 0.25 | 1.55 | 0.51 | 0.25 | 5.00 | 6.20 | 4.00 |      | 0.90 |      | 0.50 | 8°       |

Note:

- Both the package length and width include the mold flash.
- Seating plane: Max. 0.1mm.

10.2 Package SOP8 208MIL



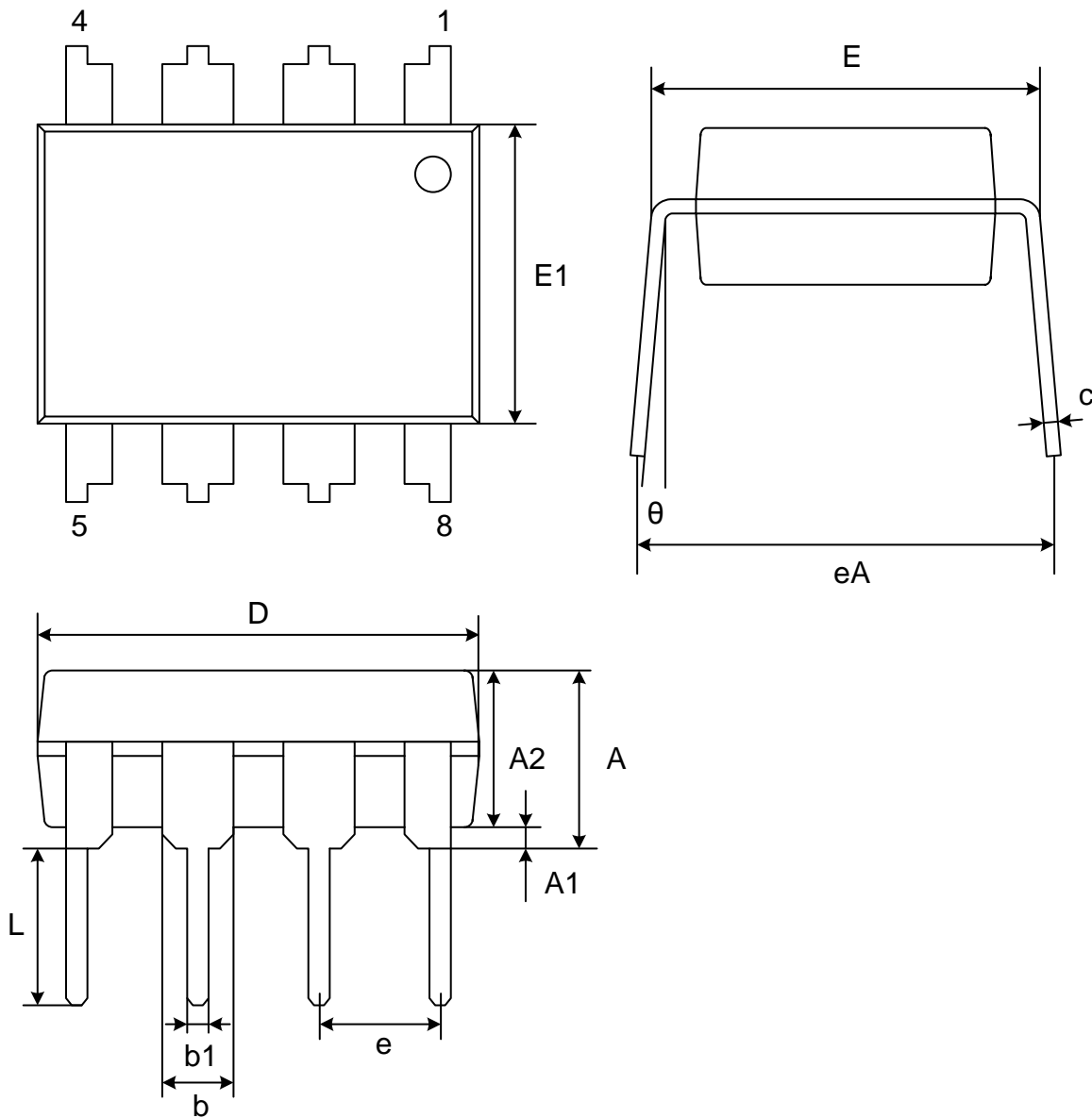
Dimensions

| Symbol | A   | A1   | A2   | b    | c    | D    | E    | E1   | e    | L    | L1   | $\theta$ |    |
|--------|-----|------|------|------|------|------|------|------|------|------|------|----------|----|
| Unit   |     |      |      |      |      |      |      |      |      |      |      |          |    |
| mm     | Min | -    | 0.05 | 1.70 | 0.31 | 0.15 | 5.13 | 7.70 | 5.18 | 1.27 | 0.50 | 1.31     | 0° |
|        | Nom | -    | 0.15 | 1.80 | 0.41 | 0.20 | 5.23 | 7.90 | 5.28 |      | -    |          | -  |
|        | Max | 2.16 | 0.25 | 1.90 | 0.51 | 0.25 | 5.33 | 8.10 | 5.38 |      | 0.85 |          | 8° |

Note:

- Both the package length and width do not include the mold flash.
- Seating plane: Max. 0.1mm.

10.3 Package DIP8 300MIL

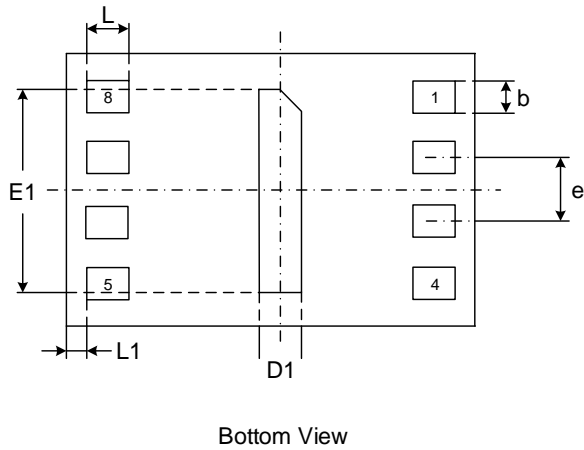
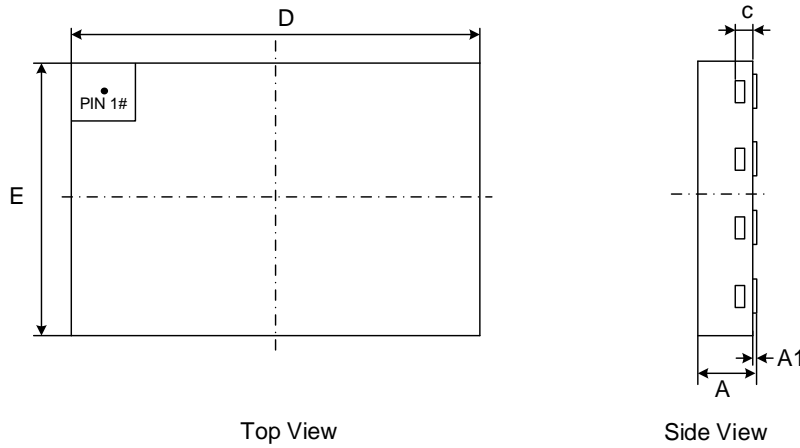


Dimensions

| Symbol |     | A    | A1   | A2   | b    | b1   | C    | D    | E    | E1   | e    | L    | eA   | $\theta$ |
|--------|-----|------|------|------|------|------|------|------|------|------|------|------|------|----------|
| Unit   |     |      |      |      |      |      |      |      |      |      |      |      |      |          |
| mm     | Min | -    | 0.38 | 3.00 | 1.14 | 0.36 | 0.20 | 9.02 | 7.62 | 6.10 | 2.54 | 2.92 | 8.45 | 0°       |
|        | Nom | -    | -    | 3.30 | 1.52 | 0.46 | 0.25 | 9.27 | 7.87 | 6.35 |      | 3.30 | 8.90 | -        |
|        | Max | 3.88 | -    | 3.50 | 1.78 | 0.56 | 0.35 | 9.59 | 8.26 | 6.60 |      | 3.81 | 9.35 | 11°      |

Note: Both the package length and width do not include the mold flash.

**10.4 Package USON8 (3x2mm, 0.45mm thickness)**



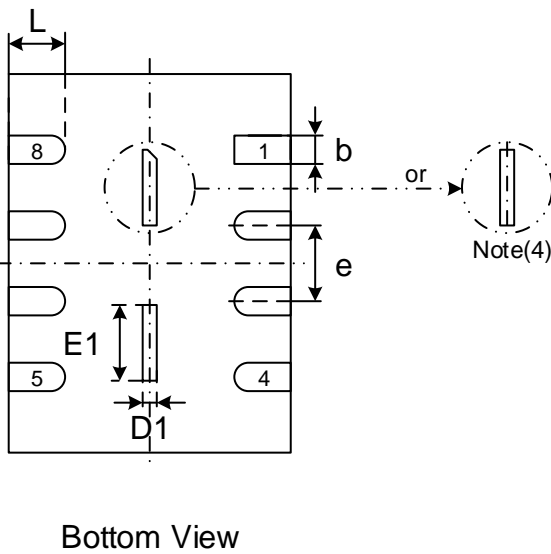
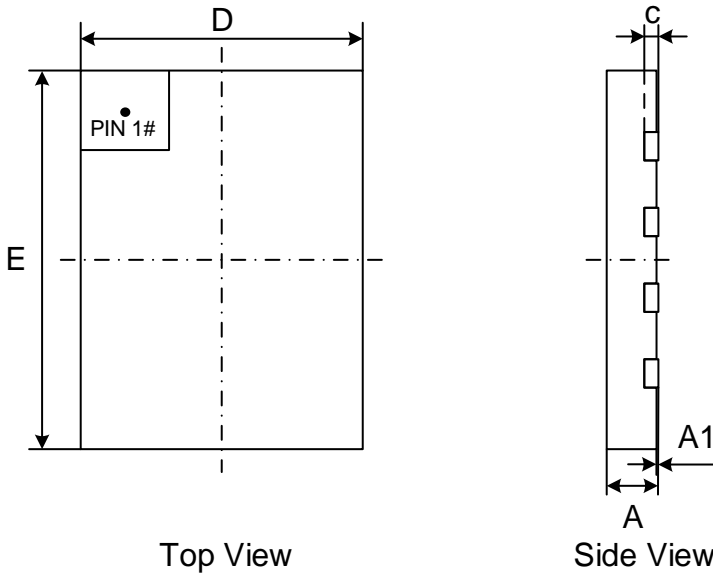
**Dimensions**

| Symbol |     | A    | A1   | c    | b    | D    | D1   | E    | E1   | e    | L    | L1   |
|--------|-----|------|------|------|------|------|------|------|------|------|------|------|
| Unit   |     |      |      |      |      |      |      |      |      |      |      |      |
| mm     | Min | 0.40 | 0.00 | 0.10 | 0.20 | 2.90 | 0.15 | 1.90 | 1.55 | 0.50 | 0.30 | 0.10 |
|        | Nom | 0.45 | 0.02 | 0.15 | 0.25 | 3.00 | 0.20 | 2.00 | 1.60 |      | 0.35 |      |
|        | Max | 0.50 | 0.05 | 0.20 | 0.30 | 3.10 | 0.25 | 2.10 | 1.65 |      | 0.40 |      |

Note:

- Both the package length and width do not include the mold flash.
- The exposed metal pad area on the bottom of the package is floating.
- Coplanarity  $\leq 0.08\text{mm}$ . Package edge tolerance  $\leq 0.10\text{mm}$ .
- The lead shape may be of little difference according to different package factories. These lead shapes are compatible with each other.

10.5 Package USON8 (3x4mm)



Dimensions

| Symbol | A   | A1   | c    | b    | D    | D1   | E    | E1   | e    | L    |
|--------|-----|------|------|------|------|------|------|------|------|------|
| Unit   |     |      |      |      |      |      |      |      |      |      |
| mm     | Min | 0.50 | 0.00 | 0.10 | 0.25 | 2.90 | 0.10 | 3.90 | 0.70 | 0.80 |
|        | Nom | 0.55 | 0.02 | 0.15 | 0.30 | 3.00 | 0.20 | 4.00 | 0.80 |      |
|        | Max | 0.60 | 0.05 | 0.20 | 0.35 | 3.10 | 0.30 | 4.10 | 0.90 |      |

Note:

- Both the package length and width do not include the mold flash.
- The exposed metal pad area on the bottom of the package is floating.
- Coplanarity  $\leq 0.08\text{mm}$ . Package edge tolerance  $\leq 0.10\text{mm}$ .
- The lead shape may be of little difference according to different package factories. These lead shapes are compatible with each other.

## 11. REVISION HISTORY

| Version No | Description   | Page  | Date       |
|------------|---|---|------------|
| 1.0        | Initial Release   | All   | 2015-7-31  |
| 1.1        | Modify DATA PROTECTION  | P9  | 2015-8-3   |
| 1.2        | Modify Command Read Security Registers (48H)  | P35   | 2015-10-20 |
| 1.3        | Modify Package USON8 (3*2mm, thickness 0.45mm)<br>Modify Package USON8 (4*3mm)<br>Modify AC CHARACTERISTICS: tCHCL Min.0.2 V/ns Change to 0.1 V/ns<br>tCLCH Min.0.2 V/ns Change to 0.1 V/ns<br>Modify POWER-ON TIMING: tPUW Min 1ms Change to 5ms<br>Modify Figure 40. Power-on Timing Sequence Diagram                           | P52<br>P53<br>P43<br>P44<br>P41<br>P41              | 2015-11-13 |
| 1.4        | Modify AC CHARACTERISTICS: add tRST_R & tRST_P & tRST_E<br>Modify DC CHARACTERISTICS: Deep Power-Down Current<br>Modify POWER-ON TIMING: TVSL Min 10us Change to 5ms<br>Modify Package USON8 (2*3mm, thickness 0.45mm)<br>Modify General Description  | P43<br>P41<br>P41<br>P52<br>P5                      | 2016-04-27 |
| 1.5        | Delete Chapter 8.3 of Rev. 1.4.<br>Delete "Output Short Circuit Current 200mA" in Chapter 8.3 (Rev. 1.5).<br>Modify VCC in Chapter 8.3 (Rev. 1.5) from "-0.6 to VCC+0.4" to "-0.6 to 4.2".<br>Modify VWI min. value in Table 6 from 1.9 to 1.5, and delete VWI typ. Value<br>Modify Icc2 in DC CHARACTERISTICS from 0.1~1 to 1~5. | P41<br>P41<br>P41<br>P41<br>P43                     | 2017-05-22 |
| 1.6        | Modify SFDP   | P40   | 2017-6-26  |
| 1.7        | Modify Icc9 from 400-800uA to 0.6-1.2mA<br>Modify tw max. value from 30ms to 40ms<br>Modify tBE2 max. value from 0.6/0.8s to 0.6/1.2s   | P43<br>P44<br>P44                                   | 2017-8-9   |
| 1.8        | Modify tVSL from 5ms to 1.8ms<br>Modify VWI max value from 2.3V to 2.2V<br>Modify tSE max value from 150/300ms to 300ms<br>Modify tBE1 max value from 0.4/0.7s to 0.7s<br>Modify tBE2 max value from 0.6/1.2s to 1.2s<br>Update Ordering Information<br>Update the description of all packages                                    | P41<br>P41<br>P45<br>P45<br>P45<br>P47-48<br>P49-53 | 2018-12-4  |

## **Important Notice**

This document is the property of GigaDevice Semiconductor (Beijing) Inc. and its subsidiaries (the "Company"). This document, including any product of the Company described in this document (the "Product"), is owned by the Company under the intellectual property laws and treaties of the People's Republic of China and other jurisdictions worldwide. The Company reserves all rights under such laws and treaties and does not grant any license under its patents, copyrights, trademarks, or other intellectual property rights. The names and brands of third party referred thereto (if any) are the property of their respective owner and referred to for identification purposes only.

The Company makes no warranty of any kind, express or implied, with regard to this document or any Product, including, but not limited to, the implied warranties of merchantability and fitness for a particular purpose. The Company does not assume any liability arising out of the application or use of any Product described in this document. Any information provided in this document is provided only for reference purposes. It is the responsibility of the user of this document to properly design, program, and test the functionality and safety of any application made of this information and any resulting product. Except for customized products which has been expressly identified in the applicable agreement, the Products are designed, developed, and/or manufactured for ordinary business, industrial, personal, and/or household applications only. The Products are not designed, intended, or authorized for use as components in systems designed or intended for the operation of weapons, weapons systems, nuclear installations, atomic energy control instruments, combustion control instruments, airplane or spaceship instruments, traffic signal instruments, life-support devices or systems, other medical devices or systems (including resuscitation equipment and surgical implants), pollution control or hazardous substances management, or other uses where the failure of the device or Product could cause personal injury, death, property or environmental damage ("Unintended Uses"). Customers shall take any and all actions to ensure using and selling the Products in accordance with the applicable laws and regulations. The Company is not liable, in whole or in part, and customers shall and hereby do release the Company as well as it's suppliers and/or distributors from any claim, damage, or other liability arising from or related to all Unintended Uses of the Products. Customers shall indemnify and hold the Company as well as it's suppliers and/or distributors harmless from and against all claims, costs, damages, and other liabilities, including claims for personal injury or death, arising from or related to any Unintended Uses of the Products. Customers shall discard the device according to the local environmental law.

**Information in this document is provided solely in connection with the Products. The Company reserves the right to make changes, corrections, modifications or improvements to this document and the Products and services described herein at any time, without notice.**

## X-ON Electronics

Largest Supplier of Electrical and Electronic Components

*Click to view similar products for [Flash Memory](#) category:*

*Click to view products by [Gigadevice](#) manufacturer:*

Other Similar products are found below :

[MBM29F200TC-70PFTN-SFLE1](#) [MBM29F400BC-70PFTN-SFLE1](#) [MBM29F800BA-90PF-SFLE1](#) [8 611 200 906](#) [9990933135](#)  
[AM29F200BB-90DPI 1](#) [AT25DF021A-MHN-Y](#) [AT25DF256-SSHN-T](#) [EAN62691701](#) [N25Q512A83G1240F](#) [P520366230636](#) [8 905 959](#)  
[076T](#) [8 905 959 252](#) [8 925 850 296](#) [260332-002 04](#) [S29AL008J55BFIR20](#) [S29AL008J55TFIR23](#) [S29AL008J70BFI010](#)  
[S29AL008J70BFI013](#) [S29AL032D90TFA040](#) [S29AS016J70BHIF40](#) [S29GL064N90TFI013](#) [S29PL064J55BFI120](#) [S76MSA90222AHD000](#)  
[S99AL016D0019](#) [9990932415](#) [A2C53026990](#) [SST39VF400A-70-4I-MAQE](#) [AM29F400BB-55SF0](#) [AM29F400BB-55SI](#) [MBM29F400BC-](#)  
[90PFVGTSFLE1](#) [MBM29F800BA-70PFTN-SFLE1](#) [MBM29F800TA-90PFCN-SFLE1](#) [AT25DF011-MAHN-T](#) [AT25DN011-MAHF-T](#)  
[AT45DQ161-SHFHB-T](#) [RP-SDCCTH0](#) [S29AL016J70TFN013](#) [S29CD016J0MQFM110](#) [S29GL032N90BFI042](#) [S29GL032N90FAI033](#)  
[S29GL064N90TFI023](#) [S29GL128S10GHIV20](#) [S29PL127J70BAI020](#) [S34ML01G200GHI000](#) [S34ML02G200TFI003](#) [S34MS02G200BHI000](#)  
[S34MS02G200TFI000](#) [S71VS256RC0AHK4L0](#) [AT25SF041-MHD-T](#)