

GigaDevice Semiconductor Inc.

GD32F205xx

Arm[®] Cortex[®]-M3 32-bit MCU

Datasheet

Table of Contents

Table of Contents	1
List of Figures	3
List of Tables	4
1. General description	5
2. Device overview	6
2.1. Device information	6
2.2. Block diagram.....	8
2.3. Pinouts and pin assignment	9
2.4. Memory map	12
2.5. Clock tree	15
2.6. Pin definitions.....	16
2.6.1. GD32F205Zx LQFP144 pin definitions.....	16
2.6.2. GD32F205Vx LQFP100 pin definitions	25
2.6.3. GD32F205Rx LQFP64 pin definitions	31
3. Functional description	35
3.1. Arm® Cortex®-M3 core	35
3.2. On-chip memory	35
3.3. Clock, reset and supply management.....	36
3.4. Boot modes.....	36
3.5. Power saving modes	37
3.6. Analog to digital converter (ADC)	37
3.7. Digital to analog converter (DAC).....	38
3.8. DMA	38
3.9. General-purpose inputs/outputs (GPIOs)	38
3.10. Timers and PWM generation	39
3.11. Real time clock (RTC) and backup registers	40
3.12. Inter-integrated circuit (I2C)	40
3.13. Serial peripheral interface (SPI)	41
3.14. Universal synchronous/asynchronous receiver transmitter (USART/UART)	41
3.15. Inter-IC sound (I2S)	41

3.16.	Universal serial bus full-speed interface (USBFS).....	42
3.17.	Controller area network (CAN)	42
3.18.	External memory controller (EXMC)	42
3.19.	Secure digital input and output card interface (SDIO).....	43
3.20.	TFT LCD interface (TLI).....	43
3.21.	Debug mode	43
3.22.	Package and operation temperature.....	43
4.	Electrical characteristics.....	44
4.1.	Absolute maximum ratings.....	44
4.2.	Recommended DC characteristics.....	44
4.3.	Power consumption	44
4.4.	EMC characteristics	45
4.5.	Power supply supervisor characteristics	46
4.6.	Electrical sensitivity	47
4.7.	External clock characteristics	48
4.8.	Internal clock characteristics	49
4.9.	PLL characteristics.....	49
4.10.	Memory characteristics	50
4.11.	GPIO characteristics	50
4.12.	ADC characteristics	51
4.13.	DAC characteristics	51
4.14.	I2C characteristics	51
4.15.	SPI characteristics	52
5.	Package information.....	53
5.1.	LQFP package outline dimensions	53
6.	Ordering information	55
7.	Revision history	56

List of Figures

Figure 2-1. GD32F205xx block diagram	8
Figure 2-2. GD32F205Zx LQFP144 pinouts	9
Figure 2-3. GD32F205Vx LQFP100 pinouts	10
Figure 2-4. GD32F205Rx LQFP64 pinouts	11
Figure 2-5. GD32F205xx clock tree	15
Figure 5-1. LQFP package outline	53

List of Tables

Table 2-1. GD32F205xx devices features and peripheral list.....	6
Table 2-2 GD32F205xx memory map.....	12
Table 2-3. GD32F205Zx LQFP144 pin definitions.....	16
Table 2-4. GD32F205Vx LQFP100 pin definitions.....	25
Table 2-5. GD32F205Rx LQFP64 pin definitions.....	31
Table 4-1. Absolute maximum ratings.....	44
Table 4-2. DC operating conditions.....	44
Table 4-3. Power consumption characteristics.....	44
Table 4-4. EMS characteristics.....	46
Table 4-5. EMI characteristics.....	46
Table 4-6. Power supply supervisor characteristics.....	46
Table 4-7. ESD characteristics.....	47
Table 4-8. Static latch-up characteristics.....	47
Table 4-9. High speed external clock (HXTAL) generated from a crystal/ceramic characteristics ...	48
Table 4-10. Low speed external clock (LXTAL) generated from a crystal/ceramic characteristics ..	48
Table 4-11. High speed internal clock (IRC8M) characteristics.....	49
Table 4-12. Low speed internal clock (IRC40K) characteristics.....	49
Table 4-13. PLL characteristics.....	49
Table 4-14. Flash memory characteristics.....	50
Table 4-15. I/O port characteristics.....	50
Table 4-16. ADC characteristics.....	51
Table 4-17. DAC characteristics.....	51
Table 4-18. I2C characteristics.....	51
Table 4-19. Standard SPI characteristics.....	52
Table 5-1. LQFP package dimensions.....	54
Table 6-1. Part ordering code for GD32F205xx devices.....	55
Table 7-1. Revision history.....	56

1. General description

The GD32F205xx device belongs to the performance line of GD32 MCU Family. It is a new 32-bit general-purpose microcontroller based on the Arm® Cortex®-M3 RISC core with best cost-performance ratio in terms of processing capacity, reduced power consumption and peripheral set. The Cortex®-M3 is a next generation processor core which is tightly coupled with a Nested Vectored Interrupt Controller (NVIC), SysTick timer and advanced debug support.

The GD32F205xx device incorporates the Arm® Cortex®-M3 32-bit processor core operating at 120 MHz frequency with flash accesses zero wait states to obtain maximum efficiency. It provides up to 3072 KB on-chip flash memory and 256 KB SRAM memory. An extensive range of enhanced I/Os and peripherals connected to two APB buses. The devices offer up to three 12-bit 2 MSPS ADCs, two 12-bit DACs, up to ten 16-bit general timers, two 16-bit basic timers plus two 16-bit PWM advanced timers, as well as standard and advanced communication interfaces: up to three SPIs, three I2Cs, four USARTs and four UARTs, two I2Ss, two CANs, a SDIO, a USBFS. Additional peripherals as TFT-LCD Interface (TLI) and EXMC interface with SDRAM extension support are included.

The device operates from a 2.6 to 3.6V power supply and available in –40 to +85 °C temperature range. Several power saving modes provide the flexibility for maximum optimization of power consumption, an especially important consideration in low power applications.

The above features make GD32F205xx devices suitable for a wide range of interconnection and advanced applications, especially in areas such as industrial control, consumer and handheld equipment, embedded modules, human machine interface, security and alarm systems, automotive navigation and so on.



2. Device overview

2.1. Device information

Table 2-1. GD32F205xx devices features and peripheral list

Part Number		GD32F205xx							
		RC	RE	RG	RK	VC	VE	VG	VK
Flash	Fast area (KB)	256	512	384	384	256	512	384	384
	Normal area (KB)	0	0	640	2688	0	0	640	2688
	Total (KB)	256	512	1024	3072	256	512	1024	3072
SRAM (KB)		128	128	256	256	128	128	256	256
Timers	General timer (16-bit)	10 <small>(1-4,8-13)</small>	10 <small>(1-4,8-13)</small>	10 <small>(1-4,8-13)</small>	10 <small>(1-4,8-13)</small>	10 <small>(1-4,8-13)</small>	10 <small>(1-4,8-13)</small>	10 <small>(1-4,8-13)</small>	10 <small>(1-4,8-13)</small>
	Advanced timer (16-bit)	2 <small>(0,7)</small>	2 <small>(0,7)</small>	2 <small>(0,7)</small>	2 <small>(0,7)</small>	2 <small>(0,7)</small>	2 <small>(0,7)</small>	2 <small>(0,7)</small>	2 <small>(0,7)</small>
	SysTick	1	1	1	1	1	1	1	1
	Basic timer (16-bit)	2 <small>(5,6)</small>	2 <small>(5,6)</small>	2 <small>(5,6)</small>	2 <small>(5,6)</small>	2 <small>(5,6)</small>	2 <small>(5,6)</small>	2 <small>(5,6)</small>	2 <small>(5,6)</small>
	Watchdog	2	2	2	2	2	2	2	2
	RTC	1	1	1	1	1	1	1	1
Connectivity	USART	4	4	4	4	4	4	4	4
	UART	2 <small>(3-4)</small>	2 <small>(3-4)</small>	2 <small>(3-4)</small>	2 <small>(3-4)</small>	4 <small>(3-4,6-7)</small>	4 <small>(3-4,6-7)</small>	4 <small>(3-4,6-7)</small>	4 <small>(3-4,6-7)</small>
	I2C	3	3	3	3	3	3	3	3
	SPI/I2S	3/2 <small>(0-2)/(1-2)</small>	3/2 <small>(0-2)/(1-2)</small>	3/2 <small>(0-2)/(1-2)</small>	3/2 <small>(0-2)/(1-2)</small>	3/2 <small>(0-2)/(1-2)</small>	3/2 <small>(0-2)/(1-2)</small>	3/2 <small>(0-2)/(1-2)</small>	3/2 <small>(0-2)/(1-2)</small>
	SDIO	1	1	1	1	1	1	1	1
	CAN	2	2	2	2	2	2	2	2
	USBFS	1	1	1	1	1	1	1	1
	TLI	0	0	0	0	1	1	1	1
GPIO		51	51	51	51	82	82	82	82
EXMC/SDRAM		0/0	0/0	0/0	0/0	1/0	1/0	1/0	1/0
ADC (CHs)		3(16)	3(16)	3(16)	3(16)	3(16)	3(16)	3(16)	3(16)
DAC		2	2	2	2	2	2	2	2

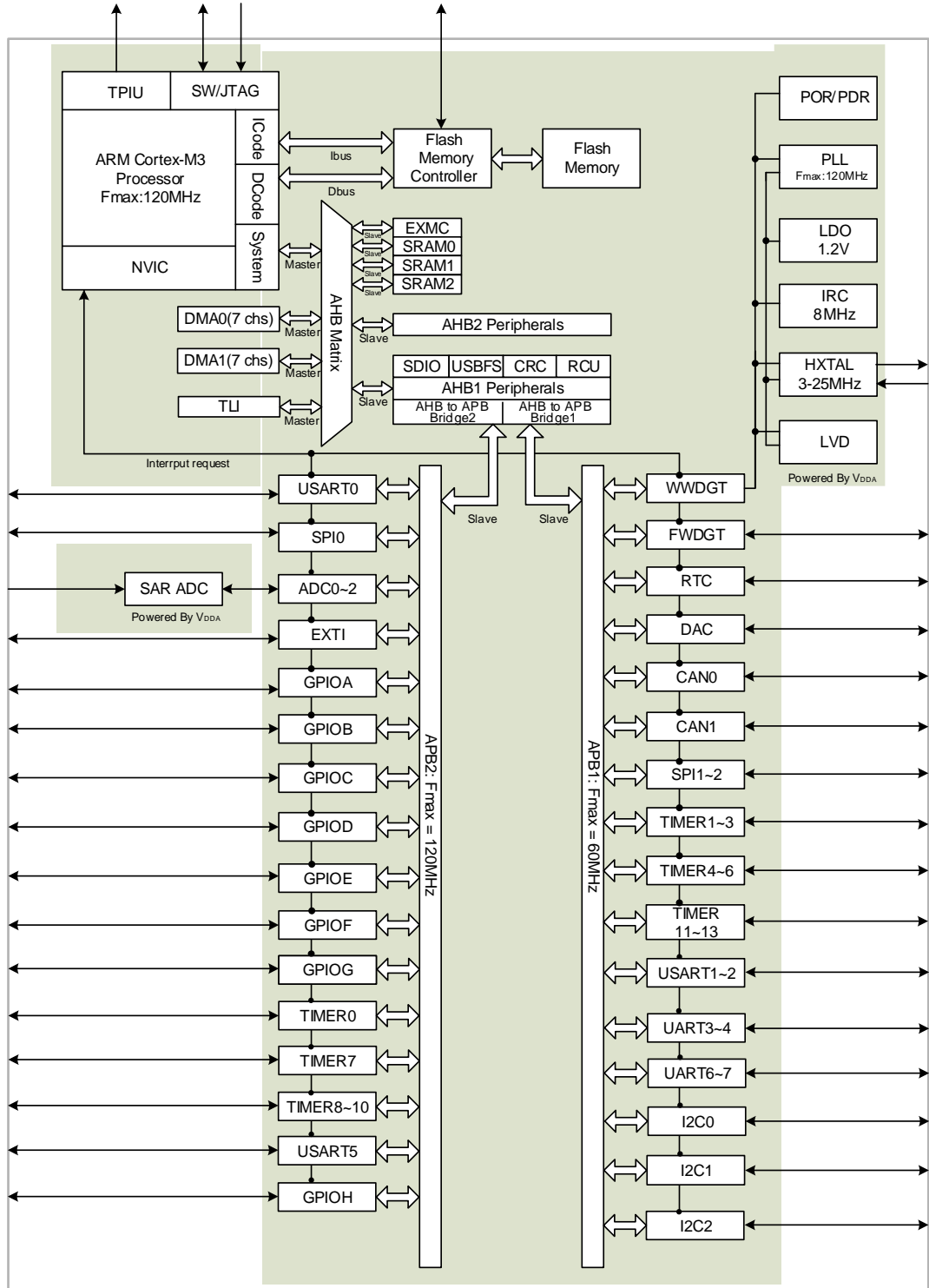
Part Number	GD32F205xx							
	RC	RE	RG	RK	VC	VE	VG	VK
Package	LQFP64				LQFP100			

Table 2-1. GD32F205xx devices features and peripheral list (continued)

Part Number		GD32F205xx			
		ZC	ZE	ZG	ZK
Flash	Code area (KB)	256	512	384	384
	Data area (KB)	0	0	640	2688
	Total (KB)	256	512	1024	3072
SRAM (KB)		128	128	256	256
Timers	General timer (16-bit)	10 <small>(1-4,8-13)</small>	10 <small>(1-4,8-13)</small>	10 <small>(1-4,8-13)</small>	10 <small>(1-4,8-13)</small>
	Advanced timer (16-bit)	2 <small>(0,7)</small>	2 <small>(0,7)</small>	2 <small>(0,7)</small>	2 <small>(0,7)</small>
	SysTick	1	1	1	1
	Basic timer (16-bit)	2 <small>(5,6)</small>	2 <small>(5,6)</small>	2 <small>(5,6)</small>	2 <small>(5,6)</small>
	Watchdog(16-bit)	2	2	2	2
	RTC	1	1	1	1
Connectivity	USART	4	4	4	4
	UART	4	4	4	4
	I2C	3	3	3	3
	SPI/I2S	3/2 <small>(0-2)/(1-2)</small>	3/2 <small>(0-2)/(1-2)</small>	3/2 <small>(0-2)/(1-2)</small>	3/2 <small>(0-2)/(1-2)</small>
	SDIO	1	1	1	1
	CAN	2	2	2	2
	USBFS	1	1	1	1
	TLI	1	1	1	1
GPIO		114	114	114	114
EXMC/SDRAM		1/1	1/1	1/1	1/1
ADC (CHs)		3(24)	3(24)	3(24)	3(24)
DAC		2	2	2	2
Package		LQFP144			

2.2. Block diagram

Figure 2-1. GD32F205xx block diagram



2.3. Pinouts and pin assignment

Figure 2-2. GD32F205Zx LQFP144 pinouts

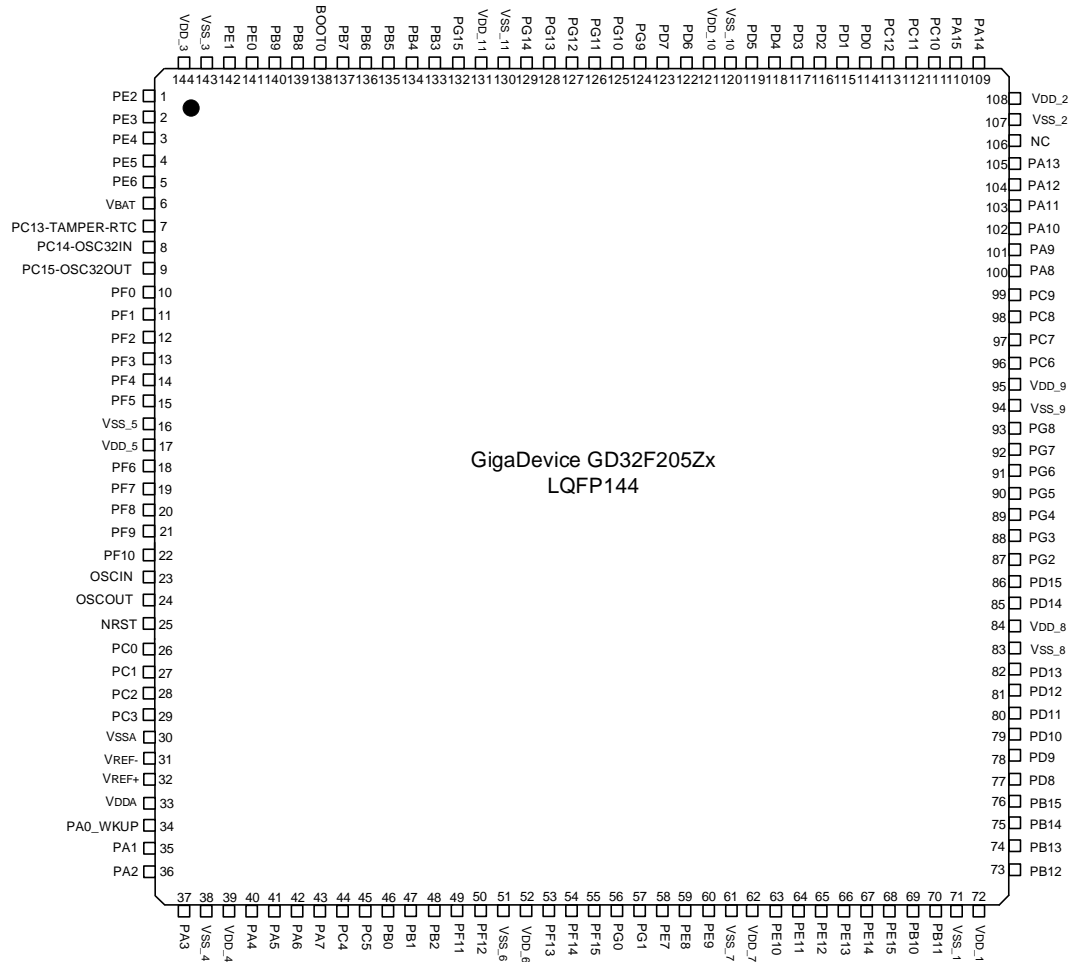


Figure 2-3. GD32F205Vx LQFP100 pinouts

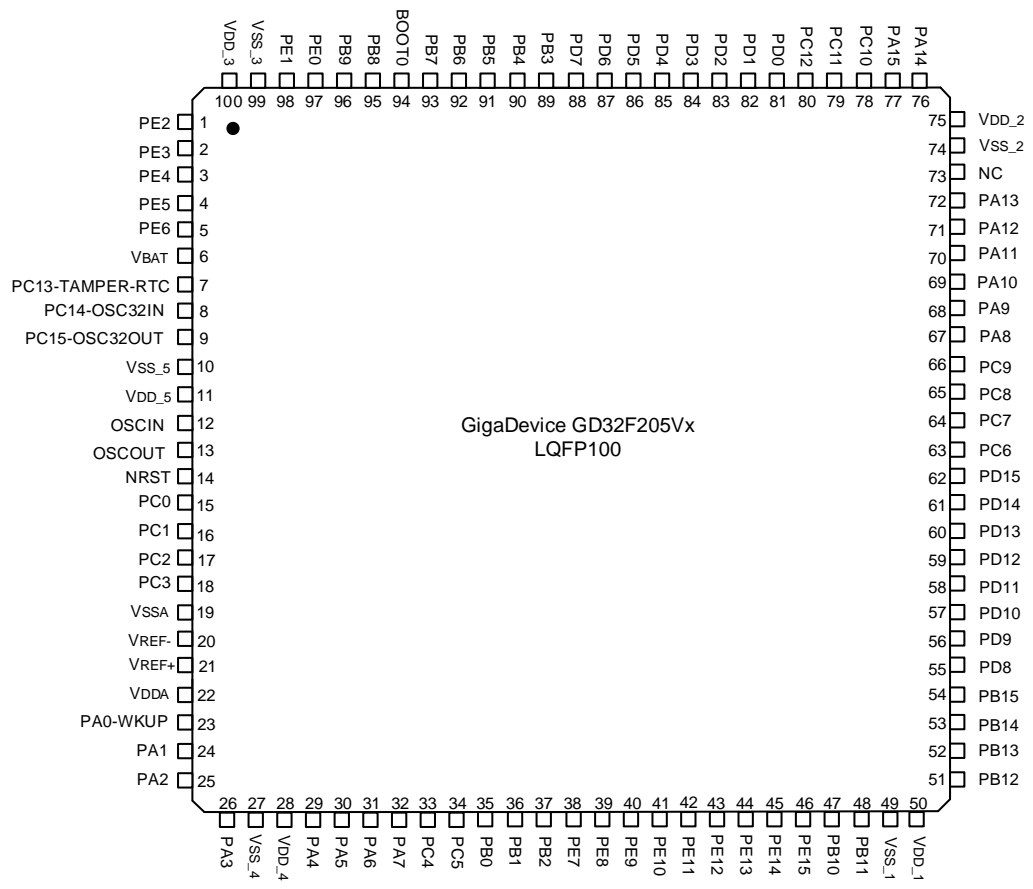
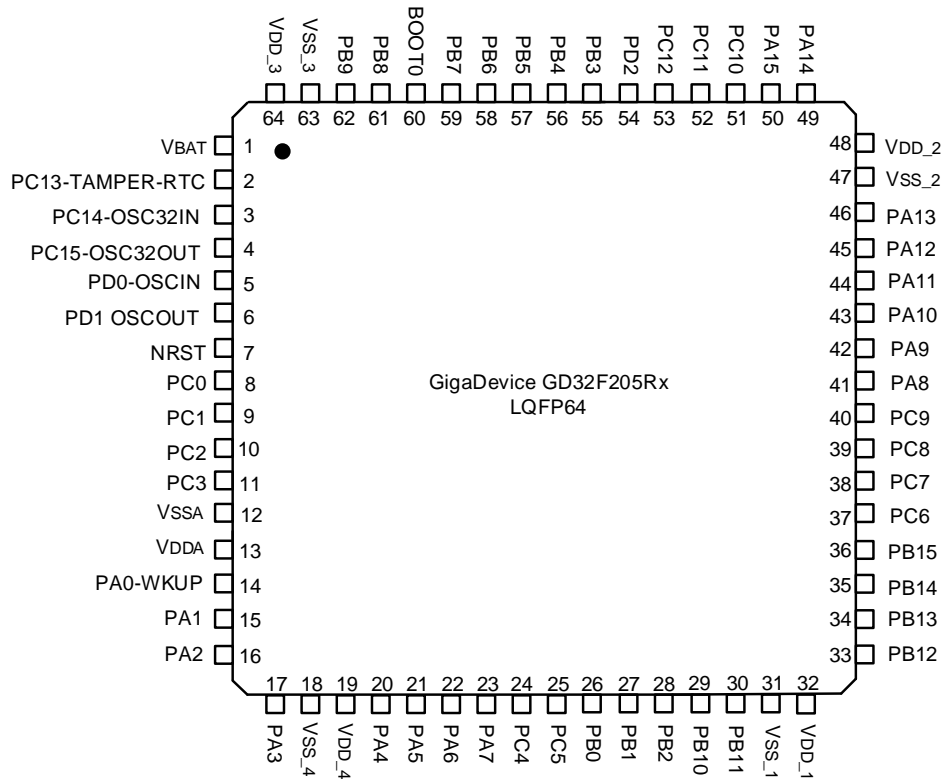


Figure 2-4. GD32F205Rx LQFP64 pinouts



2.4. Memory map

Table 2-2 GD32F205xx memory map

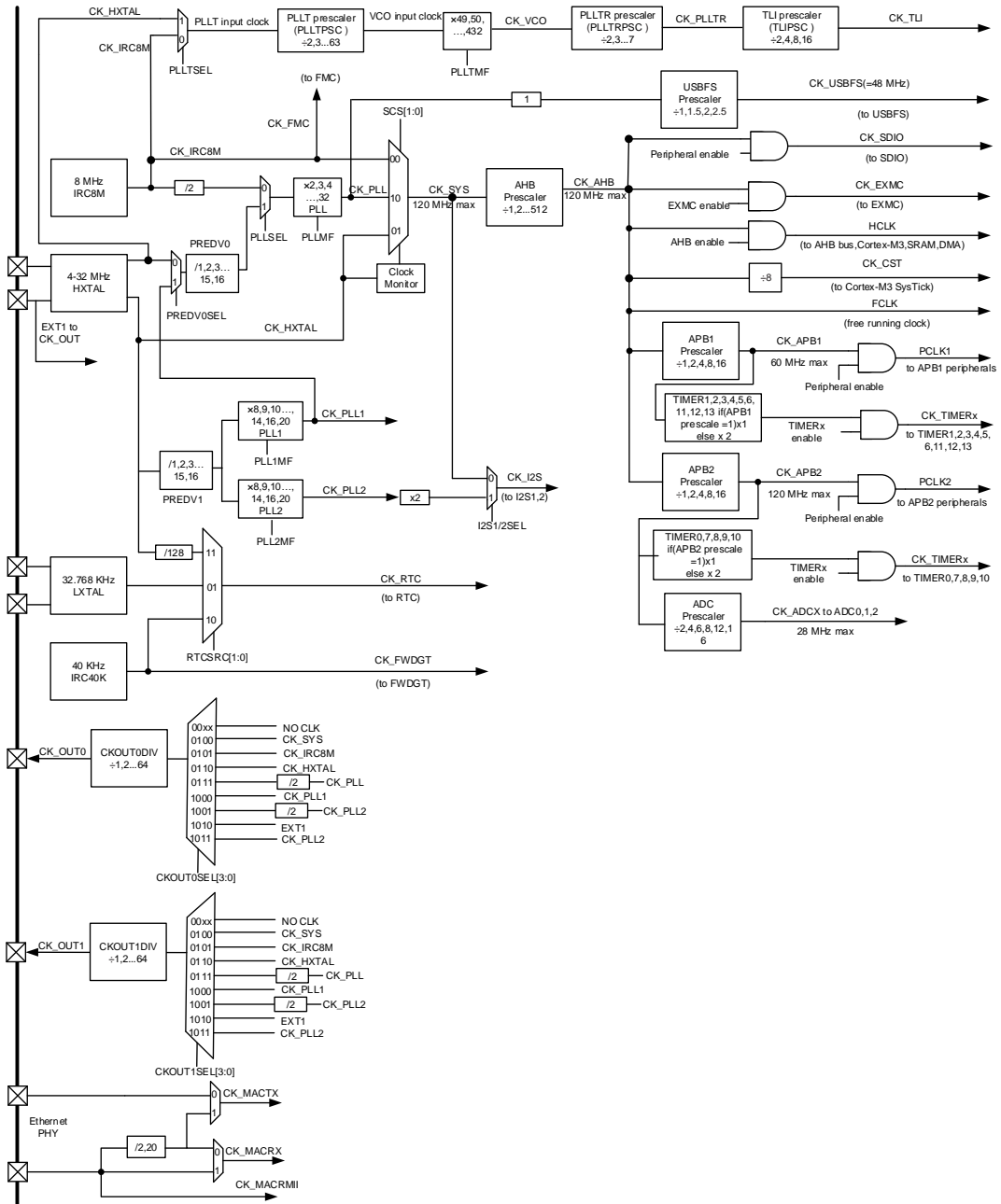
Pre-defined Regions	Bus	Address	Peripherals
External Device	AHB	0xC000 0000 - 0xDFFF FFFF	EXMC - SDRAM
		0xA000 1000 - 0xBFFF FFFF	Reserved
		0xA000 0000 - 0xA000 0FFF	EXMC - SWREG
External RAM		0x9000 0000 - 0x9FFF FFFF	EXMC - PC CARD
0x7000 0000 - 0x8FFF FFFF		EXMC - NAND	
0x6000 0000 - 0x6FFF FFFF		EXMC - NOR/PSRAM/SRAM	
Peripheral	AHB2	0x5004 0000 - 0x5FFF FFFF	Reserved
	AHB1	0x5000 0000 - 0x5003 FFFF	USBFS
		0x4002 3400 - 0x4FFF FFFF	Reserved
		0x4002 3000 - 0x4002 33FF	CRC
		0x4002 2400 - 0x4002 2FFF	Reserved
		0x4002 2000 - 0x4002 23FF	FMC
		0x4002 1400 - 0x4002 1FFF	Reserved
		0x4002 1000 - 0x4002 13FF	RCU
		0x4002 0800 - 0x4002 0FFF	Reserved
		0x4002 0400 - 0x4002 07FF	DMA0
		0x4002 0000 - 0x4002 03FF	DMA1
	APB2	0x4001 8400 - 0x4001 FFFF	Reserved
		0x4001 8000 - 0x4001 83FF	SDIO
		0x4001 7800 - 0x4001 7FFF	Reserved
		0x4001 7400 - 0x4001 77FF	GPIOH
		0x4001 7000 - 0x4001 73FF	USART5
		0x4001 6C00 - 0x4001 6FFF	Reserved
		0x4001 6800 - 0x4001 6BFF	TLI
		0x4001 5800 - 0x4001 67FF	Reserved
		0x4001 5400 - 0x4001 57FF	TIMER10
		0x4001 5000 - 0x4001 53FF	TIMER9
		0x4001 4C00 - 0x4001 4FFF	TIMER8
		0x4001 4000 - 0x4001 4BFF	Reserved
		0x4001 3C00 - 0x4001 3FFF	ADC2
		0x4001 3800 - 0x4001 3BFF	USART0
		0x4001 3400 - 0x4001 37FF	TIMER7
		0x4001 3000 - 0x4001 33FF	SPI0
		0x4001 2C00 - 0x4001 2FFF	TIMER0
		0x4001 2800 - 0x4001 2BFF	ADC1
		0x4001 2400 - 0x4001 27FF	ADC0
		0x4001 2000 - 0x4001 23FF	GPIOG

Pre-defined Regions	Bus	Address	Peripherals	
		0x4001 1C00 - 0x4001 1FFF	GPIOF	
		0x4001 1800 - 0x4001 1BFF	GPIOE	
		0x4001 1400 - 0x4001 17FF	GPIOD	
		0x4001 1000 - 0x4001 13FF	GPIOC	
		0x4001 0C00 - 0x4001 0FFF	GPIOB	
		0x4001 0800 - 0x4001 0BFF	GPIOA	
		0x4001 0400 - 0x4001 07FF	EXTI	
		0x4001 0000 - 0x4001 03FF	AFIO	
	APB1		0x4000 C400 - 0x4000 FFFF	Reserved
			0x4000 C000 - 0x4000 C3FF	I2C2
			0x4000 8000 - 0x4000 BFFF	Reserved
			0x4000 7C00 - 0x4000 7FFF	UART7
			0x4000 7800 - 0x4000 7BFF	UART6
			0x4000 7400 - 0x4000 77FF	DAC
			0x4000 7000 - 0x4000 73FF	PMU
			0x4000 6C00 - 0x4000 6FFF	BKP
			0x4000 6800 - 0x4000 6BFF	CAN1
			0x4000 6400 - 0x4000 67FF	CAN0
			0x4000 5C00 - 0x4000 63FF	USBFS/CAN shared
			0x4000 5800 - 0x4000 5BFF	I2C1
			0x4000 5400 - 0x4000 57FF	I2C0
			0x4000 5000 - 0x4000 53FF	UART4
			0x4000 4C00 - 0x4000 4FFF	UART3
			0x4000 4800 - 0x4000 4BFF	USART2
			0x4000 4400 - 0x4000 47FF	USART1
			0x4000 4000 - 0x4000 43FF	Reserved
			0x4000 3C00 - 0x4000 3FFF	SPI2/I2S2
			0x4000 3800 - 0x4000 3BFF	SPI1/I2S1
			0x4000 3400 - 0x4000 37FF	Reserved
			0x4000 3000 - 0x4000 33FF	FWDGT
			0x4000 2C00 - 0x4000 2FFF	WWDGT
			0x4000 2800 - 0x4000 2BFF	RTC
			0x4000 2400 - 0x4000 27FF	Reserved
			0x4000 2000 - 0x4000 23FF	TIMER13
			0x4000 1C00 - 0x4000 1FFF	TIMER12
			0x4000 1800 - 0x4000 1BFF	TIMER11
0x4000 1400 - 0x4000 17FF	TIMER6			
0x4000 1000 - 0x4000 13FF	TIMER5			
0x4000 0C00 - 0x4000 0FFF	TIMER4			
0x4000 0800 - 0x4000 0BFF	TIMER3			

Pre-defined Regions	Bus	Address	Peripherals
		0x4000 0400 - 0x4000 07FF	TIMER2
		0x4000 0000 - 0x4000 03FF	TIMER1
SRAM	AHB	0x2004 0000 - 0x3FFF FFFF	Reserved
		0x2002 0000 - 0x2003 FFFF	SRAM2(128KB)
		0x2001 C000 - 0x2001 FFFF	SRAM1(16KB)
		0x2000 0000 - 0x2001 BFFF	SRAM0(112KB)
Code	AHB	0x1FFF F810 - 0x1FFF FFFF	Reserved
		0x1FFF F800 - 0x1FFF F80F	Option Bytes
		0x1FFF B000 - 0x1FFF F7FF	System memory
		0x0830 0000 - 0x1FFF AFFF	Reserved
		0x0800 0000 - 0x082F FFFF	Main flash(3072KB)
		0x0000 0000 - 0x07FF FFFF	Aliased to flash or system memory according to BOOT pins configuration

2.5. Clock tree

Figure 2-5. GD32F205xx clock tree



Legend:

- HXTAL: High speed crystal oscillator
- LXTAL: Low speed crystal oscillator
- IRC8M: Internal 8M RC oscillators
- IRC40K: Internal 40K RC oscillator

2.6. Pin definitions

2.6.1. GD32F205Zx LQFP144 pin definitions

Table 2-3. GD32F205Zx LQFP144 pin definitions

Pin Name	Pins	Pin Type ⁽¹⁾	I/O Level ⁽²⁾	Functions description
PE2	1	I/O	5VT	Default: PE2 Alternate: TRACECK, EXMC_A23
PE3	2	I/O	5VT	Default: PE3 Alternate: TRACED0, EXMC_A19
PE4	3	I/O	5VT	Default: PE4 Alternate:TRACED1, EXMC_A20 Remap: TLI_B0
PE5	4	I/O	5VT	Default: PE5 Alternate:TRACED2, EXMC_A21 Remap: TIMER8_CH0, TLI_G0
PE6	5	I/O	5VT	Default: PE6 Alternate:TRACED3, EXMC_A22 Remap: TIMER8_CH1, TLI_G1
V _{BAT}	6	P		Default: V _{BAT}
PC13-TAMPER-RTC	7	I/O		Default: PC13 Alternate: TAMPER-RTC
PC14-OSC32IN	8	I/O		Default: PC14 Alternate: OSC32IN
PC15-OSC32OUT	9	I/O		Default: PC15 Alternate: OSC32OUT
PF0	10	I/O	5VT	Default: PF0 Alternate: EXMC_A0 Remap: I2C1_SDA
PF1	11	I/O	5VT	Default: PF1 Alternate: EXMC_A1 Remap: I2C1_SCL
PF2	12	I/O	5VT	Default: PF2 Alternate: EXMC_A2 Remap: I2C1_SMBA
PF3	13	I/O	5VT	Default: PF3 Alternate: EXMC_A3, ADC2_IN9
PF4	14	I/O	5VT	Default: PF4 Alternate: EXMC_A4,ADC2_IN14
PF5	15	I/O	5VT	Default: PF5 Alternate: EXMC_A5,ADC2_IN15
V _{SS_5}	16	P		Default: V _{SS_5}
V _{DD_5}	17	P		Default: V _{DD_5}

Pin Name	Pins	Pin Type ⁽¹⁾	I/O Level ⁽²⁾	Functions description
PF6	18	I/O		Default: PF6 Alternate: ADC2_IN4, EXMC_NIORD Remap: TIMER9_CH0, UART6_RX
PF7	19	I/O		Default: PF7 Alternate: ADC2_IN5, EXMC_NREG Remap: TIMER10_CH0, UART6_TX
PF8	20	I/O		Default: PF8 Alternate: ADC2_IN6, EXMC_NIOWR Remap: TIMER12_CH0
PF9	21	I/O		Default: PF9 Alternate: ADC2_IN7, EXMC_CD Remap: TIMER13_CH0
PF10	22	I/O		Default: PF10 Alternate: ADC2_IN8, EXMC_INTR Remap: TLI_DE
OSCIN	23	I		Default: OSCIN Remap: PH0
OSCOUT	24	O		Default: OSCOUT Remap: PH1
NRST	25	I/O		Default: NRST
PC0	26	I/O		Default: PC0 Alternate: ADC012_IN10 Remap: EXMC_SDNWE
PC1	27	I/O		Default: PC1 Alternate: ADC012_IN11
PC2	28	I/O		Default: PC2 Alternate: ADC012_IN12 Remap: EXMC_SDNE0, SPI1_MISO
PC3	29	I/O		Default: PC3 Alternate: ADC012_IN13 Remap: EXMC_SDCKE0, SPI1_MOSI, I2S1_SD
V _{SSA}	30	P		Default: V _{SSA}
V _{REF-}	31	P		Default: V _{REF-}
V _{REF+}	32	P		Default: V _{REF+}
V _{DDA}	33	P		Default: V _{DDA}
PA0-WKUP	34	I/O		Default: PA0 Alternate: WKUP, USART1_CTS, ADC012_IN0, TIMER1_CH0, TIMER1_ETI, TIMER4_CH0, TIMER7_ETI Remap: UART3_TX
PA1	35	I/O		Default: PA1 Alternate: USART1_RTS, ADC012_IN1, TIMER1_CH1, TIMER4_CH1 Remap: UART3_RX
PA2	36	I/O		Default: PA2 Alternate: USART1_TX, ADC012_IN2, TIMER1_CH2,

Pin Name	Pins	Pin Type ⁽¹⁾	I/O Level ⁽²⁾	Functions description
				TIMER4_CH2, TIMER8_CH0, SPI0_IO3
PA3	37	I/O		Default: PA3 Alternate: USART1_RX, ADC012_IN3, TIMER1_CH3, TIMER4_CH3, TIMER8_CH1, SPI0_IO4 Remap: TLI_B5
V _{SS_4}	38	P		Default: V _{SS_4}
V _{DD_4}	39	P		Default: V _{DD_4}
PA4	40	I/O		Default: PA4 Alternate: SPI0_NSS, USART1_CK, DAC_OUT0, ADC01_IN4 Remap: SPI2_NSS, I2S2_WS, TLI_VSYNC
PA5	41	I/O		Default: PA5 Alternate: SPI0_SCK, ADC01_IN5, DAC_OUT1 Remap: TIMER1_CH0, TIMER1_ETI, TIMER7_CH0_ON
PA6	42	I/O		Default: PA6 Alternate: SPI0_MISO, ADC01_IN6, TIMER2_CH0, TIMER7_BRKIN, TIMER12_CH0 Remap: TIMER0_BRKIN, TLI_G2
PA7	43	I/O		Default: PA7 Alternate: SPI0_MOSI, ADC01_IN7, TIMER2_CH1, TIMER7_CH0_ON, TIMER13_CH0 Remap: TIMER0_CH0_ON
PC4	44	I/O		Default: PC4 Alternate: ADC01_IN14
PC5	45	I/O		Default: PC5 Alternate: ADC01_IN15
PB0	46	I/O		Default: PB0 Alternate: ADC01_IN8, TIMER2_CH2, TIMER7_CH1_ON Remap: TIMER0_CH1_ON, TLI_R3
PB1	47	I/O		Default: PB1 Alternate: ADC01_IN9, TIMER2_CH3, TIMER7_CH2_ON Remap: TIMER0_CH2_ON, TLI_R6
PB2	48	I/O	5VT	Default: PB2, BOOT1
PF11	49	I/O	5VT	Default: PF11 Alternate: EXMC_NIOS16, EXMC_SDNRAS
PF12	50	I/O	5VT	Default: PF12 Alternate: EXMC_A6
V _{SS_6}	51	P		Default: V _{SS_6}
V _{DD_6}	52	P		Default: V _{DD_6}
PF13	53	I/O	5VT	Default: PF13 Alternate: EXMC_A7
PF14	54	I/O	5VT	Default: PF14 Alternate: EXMC_A8
PF15	55	I/O	5VT	Default: PF15 Alternate: EXMC_A9

Pin Name	Pins	Pin Type ⁽¹⁾	I/O Level ⁽²⁾	Functions description
PG0	56	I/O	5VT	Default: PG0 Alternate: EXMC_A10
PG1	57	I/O	5VT	Default: PG1 Alternate: EXMC_A11
PE7	58	I/O	5VT	Default: PE7 Alternate: EXMC_D4, UART6_RX Remap: TIMER0_ETI
PE8	59	I/O	5VT	Default: PE8 Alternate: EXMC_D5, UART6_TX Remap: TIMER0_CH0_ON
PE9	60	I/O	5VT	Default: PE9 Alternate: EXMC_D6 Remap: TIMER0_CH0
V _{SS_7}	61	P		Default: V _{SS_7}
V _{DD_7}	62	P		Default: V _{DD_7}
PE10	63	I/O	5VT	Default: PE10 Alternate: EXMC_D7 Remap: TIMER0_CH1_ON
PE11	64	I/O	5VT	Default: PE11 Alternate: EXMC_D8 Remap: TIMER0_CH1, TLI_G3
PE12	65	I/O	5VT	Default: PE12 Alternate: EXMC_D9 Remap: TIMER0_CH2_ON, TLI_B4
PE13	66	I/O	5VT	Default: PE13 Alternate: EXMC_D10 Remap: TIMER0_CH2, TLI_DE
PE14	67	I/O	5VT	Default: PE14 Alternate: EXMC_D11 Remap: TIMER0_CH3, TLI_PIXCLK
PE15	68	I/O	5VT	Default: PE15 Alternate: EXMC_D12 Remap: TIMER0_BRKIN, TLI_R7
PB10	69	I/O	5VT	Default: PB10 Alternate: I2C1_SCL, USART2_TX Remap: TIMER1_CH2, TLI_G4, SPI1_SCK, I2S1_CK
PB11	70	I/O	5VT	Default: PB11 Alternate: I2C1_SDA, USART2_RX Remap: TIMER1_CH3, TLI_G5
V _{SS_1}	71	P		Default: V _{SS_1}
V _{DD_1}	72	P		Default: V _{DD_1}
PB12	73	I/O	5VT	Default: PB12 Alternate: SPI1_NSS, I2C1_SMBA, USART2_CK, TIMER0_BRKIN, I2S1_WS, CAN1_RX
PB13	74	I/O	5VT	Default: PB13

Pin Name	Pins	Pin Type ⁽¹⁾	I/O Level ⁽²⁾	Functions description
				Alternate: SPI1_SCK, USART2_CTS, TIMER0_CH0_ON, I2S1_CK, CAN1_TX
PB14	75	I/O	5VT	Default: PB14 Alternate: SPI1_MISO, USART2_RTS, TIMER0_CH1_ON, TIMER11_CH0
PB15	76	I/O	5VT	Default: PB15 Alternate: SPI1_MOSI, TIMER0_CH2_ON, I2S1_SD, TIMER11_CH1
PD8	77	I/O	5VT	Default: PD8 Alternate: EXMC_D13 Remap: USART2_TX
PD9	78	I/O	5VT	Default: PD9 Alternate: EXMC_D14 Remap: USART2_RX
PD10	79	I/O	5VT	Default: PD10 Alternate: EXMC_D15 Remap: USART2_CK, TLI_B3
PD11	80	I/O	5VT	Default: PD11 Alternate: EXMC_A16 Remap: USART2_CTS
PD12	81	I/O	5VT	Default: PD12 Alternate: EXMC_A17 Remap: TIMER3_CH0, USART2_RTS
PD13	82	I/O	5VT	Default: PD13 Alternate: EXMC_A18 Remap: TIMER3_CH1
V _{SS_8}	83	P		Default: V _{SS_8}
V _{DD_8}	84	P		Default: V _{DD_8}
PD14	85	I/O	5VT	Default: PD14 Alternate: EXMC_D0 Remap: TIMER3_CH2
PD15	86	I/O	5VT	Default: PD15 Alternate: EXMC_D1 Remap: TIMER3_CH3
PG2	87	I/O	5VT	Default: PG2 Alternate: EXMC_A12
PG3	88	I/O	5VT	Default: PG3 Alternate: EXMC_A13
PG4	89	I/O	5VT	Default: PG4 Alternate: EXMC_A14, EXMC_BA0
PG5	90	I/O	5VT	Default: PG5 Alternate: EXMC_A15, EXMC_BA1
PG6	91	I/O	5VT	Default: PG6 Alternate: EXMC_INT1 Remap: TLI_R7
PG7	92	I/O	5VT	Default: PG7

Pin Name	Pins	Pin Type ⁽¹⁾	I/O Level ⁽²⁾	Functions description
				Alternate: EXMC_INT2 Remap: USART5_CK, TLI_PIXCLK
PG8	93	I/O	5VT	Default: PG8 Alternate: EXMC_SDCLK, USART5_RTS
V _{SS_9}	94	P		Default: V _{SS_9}
V _{DD_9}	95	P		Default: V _{DD_9}
PC6	96	I/O	5VT	Default: PC6 Alternate: I2S1_MCK, TIMER7_CH0, SDIO_D6, USART5_TX Remap: TIMER2_CH0, TLI_HSYNC
PC7	97	I/O	5VT	Default: PC7 Alternate: I2S2_MCK, TIMER7_CH1, SDIO_D7, USART5_RX Remap: TIMER2_CH1, TLI_G6
PC8	98	I/O	5VT	Default: PC8 Alternate: TIMER7_CH2, SDIO_D0, USART5_CK Remap: TIMER2_CH2
PC9	99	I/O	5VT	Default: PC9 Alternate: TIMER7_CH3, SDIO_D, CK_OUT1 Remap: TIMER2_CH3, I2C2_SDA
PA8	100	I/O	5VT	Default: PA8 Alternate: USART0_CK, TIMER0_CH0, CK_OUT0, VCORE, USBFS_SOF Remap: TLI_R6, I2C2_SCL
PA9	101	I/O	5VT	Default: PA9 Alternate: USART0_TX, TIMER0_CH1, USBFS_VBUS Remap: I2C2_SMBAL
PA10	102	I/O	5VT	Default: PA10 Alternate: USART0_RX, TIMER0_CH2, USBFS_ID
PA11	103	I/O	5VT	Default: PA11 Alternate: USART0_CTS, CAN0_RX, USBFS_DM, TIMER0_CH3 Remap: TLI_R4
PA12	104	I/O	5VT	Default: PA12 Alternate: USART0_RTS, USBFS_DP, CAN0_TX, TIMER0_ETI Remap: TLI_R5
PA13	105	I/O	5VT	Default: JTMS, SWDIO Remap: PA13
NC	106			-
V _{SS_2}	107	P		Default: V _{SS_2}
V _{DD_2}	108	P		Default: V _{DD_2}
PA14	109	I/O	5VT	Default: JTCK, SWCLK Remap: PA14
PA15	110	I/O	5VT	Default: JTDI

Pin Name	Pins	Pin Type ⁽¹⁾	I/O Level ⁽²⁾	Functions description
				Alternate: SPI2_NSS, I2S2_WS Remap: TIMER1_CH0, TIMER1_ETI, PA15, SPI0_NSS
PC10	111	I/O	5VT	Default: PC10 Alternate: UART3_TX, SDIO_D2 Remap: USART2_TX, SPI2_SCK, I2S2_CK, TLI_R2
PC11	112	I/O	5VT	Default: PC11 Alternate: UART3_RX, SDIO_D3 Remap: USART2_RX, SPI2_MISO
PC12	113	I/O	5VT	Default: PC12 Alternate: UART4_TX, SDIO_CK Remap: USART2_CK, SPI2_MOSI, I2S2_SD
PD0	114	I/O	5VT	Default: PD0 Alternate: EXMC_D2 Remap: CAN0_RX, OSCIN
PD1	115	I/O	5VT	Default: PD1 Alternate: EXMC_D3 Remap: CAN0_TX, OSCOUT
PD2	116	I/O	5VT	Default: PD2 Alternate: TIMER2_ETI, UART4_RX, SDIO_CMD
PD3	117	I/O	5VT	Default: PD3 Alternate: EXMC_CLK Remap: USART1_CTS, TLI_G7, SPI1_SCK, I2S1_CK
PD4	118	I/O	5VT	Default: PD4 Alternate: EXMC_NOE Remap: USART1_RTS
PD5	119	I/O	5VT	Default: PD5 Alternate: EXMC_NWE Remap: USART1_TX
V _{SS_10}	120			Default: V _{SS_10}
V _{DD_10}	121			Default: V _{DD_10}
PD6	122	I/O	5VT	Default: PD6 Alternate: EXMC_NWAIT Remap: USART1_RX, TLI_B2, SPI2_MOSI, I2S2_SD
PD7	123	I/O	5VT	Default: PD7 Alternate: EXMC_NE0, EXMC_NCE1 Remap: USART1_CK
PG9	124	I/O	5VT	Default: PG9 Alternate: EXMC_NE1, EXMC_NCE2 Remap: USART5_RX
PG10	125	I/O	5VT	Default: PG10 Alternate: EXMC_NCE3_0, EXMC_NE2 Remap: TLI_G3, TLI_B2
PG11	126	I/O	5VT	Default: PG11 Alternate: EXMC_NCE3_1 Remap: TLI_B3
PG12	127	I/O	5VT	Default: PG12

Pin Name	Pins	Pin Type ⁽¹⁾	I/O Level ⁽²⁾	Functions description
				Alternate: EXMC_NE3 Remap: USART5_RTS, TLI_B4, TLI_B1
PG13	128	I/O	5VT	Default: PG13 Alternate: EXMC_A24 Remap: USART5_CTS
PG14	129	I/O	5VT	Default: PG14 Alternate: EXMC_A25 Remap: USART5_TX
V _{SS_11}	130	P		Default: V _{SS_10}
V _{DD_11}	131	P		Default: V _{DD_10}
PG15	132	I/O	5VT	Default: PG15 Alternate: EXMC_SDNCAS, USART5_CTS
PB3	133	I/O	5VT	Default: JTDO Alternate: SPI2_SCK, I2S2_CK Remap: PB3, TRACESWO, TIMER1_CH1, SPI0_SCK
PB4	134	I/O	5VT	Default: JNTRST Alternate: SPI2_MISO Remap: TIMER2_CH0, PB4, SPI0_MISO
PB5	135	I/O		Default: PB5 Alternate: I2C0_SMBA, SPI2_MOSI, I2S2_SD Remap: TIMER2_CH1, SPI0_MOSI, CAN1_RX, EXMC_SDCKE1
PB6	136	I/O	5VT	Default: PB6 Alternate: I2C0_SCL, TIMER3_CH0 Remap: USART0_TX, CAN1_TX, EXMC_SDNE1, SPI0_IO3
PB7	137	I/O	5VT	Default: PB7 Alternate: I2C0_SDA, TIMER3_CH1, EXMC_NL Remap: USART0_RX, SPI0_IO4
BOOT0	138	I		Default: BOOT0
PB8	139	I/O	5VT	Default: PB8 Alternate: TIMER3_CH2, TIMER9_CH0, SDIO_D4 Remap: I2C0_SCL, CAN0_RX, TLI_B6
PB9	140	I/O	5VT	Default: PB9 Alternate: TIMER3_CH3, TIMER10_CH0, SDIO_D5 Remap: I2C0_SDA, CAN0_TX, TLI_B7, SPI1_NSS, I2S1_WS
PE0	141	I/O	5VT	Default: PE0 Alternate: TIMER3_ETI, EXMC_NBL0, UART7_RX
PE1	142	I/O	5VT	Default: PE1 Alternate: EXMC_NBL1, UART7_TX
V _{SS_3}	143	P		Default: V _{SS_3}
V _{DD_3}	144	P		Default: V _{DD_3}

Notes:

(1) Type: I = input, O = output, P = power.

(2) I/O Level: 5VT = 5 V tolerant.

2.6.2. GD32F205Vx LQFP100 pin definitions
Table 2-4. GD32F205Vx LQFP100 pin definitions

Pin Name	Pins	Pin Type ⁽¹⁾	I/O ⁽²⁾ Level	Functions description
PE2	1	I/O	5VT	Default: PE2 Alternate: TRACECK, EXMC_A23
PE3	2	I/O	5VT	Default: PE3 Alternate: TRACED0, EXMC_A19
PE4	3	I/O	5VT	Default: PE4 Alternate:TRACED1, EXMC_A20 Remap: TLI_B0
PE5	4	I/O	5VT	Default: PE5 Alternate:TRACED2, EXMC_A21 Remap: TIMER8_CH0, TLI_G0
PE6	5	I/O	5VT	Default: PE6 Alternate:TRACED3, EXMC_A22 Remap: TIMER8_CH1, TLI_G1
V _{BAT}	6	P		Default: V _{BAT}
PC13- TAMPER- RTC	7	I/O		Default: PC13 Alternate: TAMPER-RTC
PC14- OSC32IN	8	I/O		Default: PC14 Alternate: OSC32IN
PC15- OSC32OUT	9	I/O		Default: PC15 Alternate: OSC32OUT
V _{SS_5}	10	P		Default: V _{SS_5}
V _{DD_5}	11	P		Default: V _{DD_5}
OSCIN	12	I		Default: OSCIN Remap: PH0
OSCOUT	13	O		Default: OSCOUT Remap: PH1
NRST	14	I/O		Default: NRST
PC0	15	I/O		Default: PC0 Alternate: ADC012_IN10 Remap: EXMC_SDNWE
PC1	16	I/O		Default: PC1 Alternate: ADC012_IN11
PC2	17	I/O		Default: PC2 Alternate: ADC012_IN12 Remap: EXMC_SDNE0, SPI1_MISO
PC3	18	I/O		Default: PC3 Alternate: ADC012_IN13 Remap: EXMC_SDCKE0, SPI1_MOSI, I2S1_SD
V _{SSA}	19	P		Default: V _{SSA}
V _{REF-}	20	P		Default: V _{REF-}

Pin Name	Pins	Pin Type ⁽¹⁾	I/O ⁽²⁾ Level	Functions description
V _{REF+}	21	P		Default: V _{REF+}
V _{DDA}	22	P		Default: V _{DDA}
PA0-WKUP	23	I/O		Default: PA0 Alternate: WKUP, USART1_CTS, ADC012_IN0, TIMER1_CH0, TIMER1_ETI, TIMER4_CH0, TIMER7_ETI Remap: UART3_TX
PA1	24	I/O		Default: PA1 Alternate: USART1_RTS, ADC012_IN1, TIMER1_CH1, TIMER4_CH1 Remap: UART3_RX
PA2	25	I/O		Default: PA2 Alternate: USART1_TX, ADC012_IN2, TIMER1_CH2, TIMER4_CH2, TIMER8_CH0, SPI0_IO3
PA3	26	I/O		Default: PA3 Alternate: USART1_RX, ADC012_IN3, TIMER1_CH3, TIMER4_CH3, TIMER8_CH1, SPI0_IO4 Remap: TLI_B5
V _{SS_4}	27	P		Default: V _{SS_4}
V _{DD_4}	28	P		Default: V _{DD_4}
PA4	29	I/O		Default: PA4 Alternate: SPI0_NSS, USART1_CK, DAC_OUT0, ADC01_IN4 Remap: SPI2_NSS, I2S2_WS, TLI_VSYNC
PA5	30	I/O		Default: PA5 Alternate: SPI0_SCK, ADC01_IN5, DAC_OUT1 Remap: TIMER1_CH0, TIMER1_ETI, TIMER7_CH0_ON
PA6	31	I/O		Default: PA6 Alternate: SPI0_MISO, ADC01_IN6, TIMER2_CH0, TIMER7_BRKIN, TIMER12_CH0 Remap: TIMER0_BRKIN, TLI_G2
PA7	32	I/O		Default: PA7 Alternate: SPI0_MOSI, ADC01_IN7, TIMER2_CH1, TIMER7_CH0_ON, TIMER13_CH0 Remap: TIMER0_CH0_ON
PC4	33	I/O		Default: PC4 Alternate: ADC01_IN14
PC5	34	I/O		Default: PC5 Alternate: ADC01_IN15
PB0	35	I/O		Default: PB0 Alternate: ADC01_IN8, TIMER2_CH2, TIMER7_CH1_ON Remap: TIMER0_CH1_ON, TLI_R3
PB1	36	I/O		Default: PB1 Alternate: ADC01_IN9, TIMER2_CH3, TIMER7_CH2_ON Remap: TIMER0_CH2_ON, TLI_R6
PB2	37	I/O	5VT	Default: PB2, BOOT1
PE7	38	I/O	5VT	Default: PE7

Pin Name	Pins	Pin Type ⁽¹⁾	I/O ⁽²⁾ Level	Functions description
				Alternate: EXMC_D4, UART6_RX Remap: TIMER0_ETI
PE8	39	I/O	5VT	Default: PE8 Alternate: EXMC_D5, UART6_TX Remap: TIMER0_CH0_ON
PE9	40	I/O	5VT	Default: PE9 Alternate: EXMC_D6 Remap: TIMER0_CH0
PE10	41	I/O	5VT	Default: PE10 Alternate: EXMC_D7 Remap: TIMER0_CH1_ON
PE11	42	I/O	5VT	Default: PE11 Alternate: EXMC_D8 Remap: TIMER0_CH1, TLI_G3
PE12	43	I/O	5VT	Default: PE12 Alternate: EXMC_D9 Remap: TIMER0_CH2_ON, TLI_B4
PE13	44	I/O	5VT	Default: PE13 Alternate: EXMC_D10 Remap: TIMER0_CH2, TLI_DE
PE14	45	I/O	5VT	Default: PE14 Alternate: EXMC_D11 Remap: TIMER0_CH3, TLI_PIXCLK
PE15	46	I/O	5VT	Default: PE15 Alternate: EXMC_D12 Remap: TIMER0_BRKIN, TLI_R7
PB10	47	I/O	5VT	Default: PB10 Alternate: I2C1_SCL, USART2_TX Remap: TIMER1_CH2, TLI_G4, SPI1_SCK, I2S1_CK
PB11	48	I/O	5VT	Default: PB11 Alternate: I2C1_SDA, USART2_RX Remap: TIMER1_CH3, TLI_G5
V _{SS_1}	49	P		Default: V _{SS_1}
V _{DD_1}	50	P		Default: V _{DD_1}
PB12	51	I/O	5VT	Default: PB12 Alternate: SPI1_NSS, I2C1_SMBA, USART2_CK, TIMER0_BRKIN, I2S1_WS, CAN1_RX
PB13	52	I/O	5VT	Default: PB13 Alternate: SPI1_SCK, USART2_CTS, TIMER0_CH0_ON, I2S1_CK, CAN1_TX
PB14	53	I/O	5VT	Default: PB14 Alternate: SPI1_MISO, USART2_RTS, TIMER0_CH1_ON, TIMER11_CH0
PB15	54	I/O	5VT	Default: PB15 Alternate: SPI1_MOSI, TIMER0_CH2_ON, I2S1_SD, TIMER11_CH1

Pin Name	Pins	Pin Type ⁽¹⁾	I/O ⁽²⁾ Level	Functions description
PD8	55	I/O	5VT	Default: PD8 Alternate: EXMC_D13 Remap: USART2_TX
PD9	56	I/O	5VT	Default: PD9 Alternate: EXMC_D14 Remap: USART2_RX
PD10	57	I/O	5VT	Default: PD10 Alternate: EXMC_D15 Remap: USART2_CK, TLI_B3
PD11	58	I/O	5VT	Default: PD11 Alternate: EXMC_A16 Remap: USART2_CTS
PD12	59	I/O	5VT	Default: PD12 Alternate: EXMC_A17 Remap: TIMER3_CH0, USART2_RTS
PD13	60	I/O	5VT	Default: PD13 Alternate: EXMC_A18 Remap: TIMER3_CH1
PD14	61	I/O	5VT	Default: PD14 Alternate: EXMC_D0 Remap: TIMER3_CH2
PD15	62	I/O	5VT	Default: PD15 Alternate: EXMC_D1 Remap: TIMER3_CH3
PC6	63	I/O	5VT	Default: PC6 Alternate: I2S1_MCK, TIMER7_CH0, SDIO_D6, USART5_TX Remap: TIMER2_CH0, TLI_HSYNC
PC7	64	I/O	5VT	Default: PC7 Alternate: I2S2_MCK, TIMER7_CH1, SDIO_D7, USART5_RX Remap: TIMER2_CH1, TLI_G6
PC8	65	I/O	5VT	Default: PC8 Alternate: TIMER7_CH2, SDIO_D0, USART5_CK Remap: TIMER2_CH2
PC9	66	I/O	5VT	Default: PC9 Alternate: TIMER7_CH3, SDIO_D, CK_OUT1 Remap: TIMER2_CH3, I2C2_SDA
PA8	67	I/O	5VT	Default: PA8 Alternate: USART0_CK, TIMER0_CH0, CK_OUT0, VCORE, USBFS_SOF Remap: TLI_R6, I2C2_SCL
PA9	68	I/O	5VT	Default: PA9 Alternate: USART0_TX, TIMER0_CH1, USBFS_VBUS Remap: I2C2_SMBAL
PA10	69	I/O	5VT	Default: PA10 Alternate: USART0_RX, TIMER0_CH2, USBFS_ID
PA11	70	I/O	5VT	Default: PA11

Pin Name	Pins	Pin Type ⁽¹⁾	I/O ⁽²⁾ Level	Functions description
				Alternate: USART0_CTS, CAN0_RX, USBFS_DM, TIMER0_CH3 Remap: TLI_R4
PA12	71	I/O	5VT	Default: PA12 Alternate: USART0_RTS, USBFS_DP, CAN0_TX, TIMER0_ETI Remap: TLI_R5
PA13	72	I/O	5VT	Default: JTMS, SWDIO Remap: PA13
NC	73			-
V _{SS_2}	74	P		Default: V _{SS_2}
V _{DD_2}	75	P		Default: V _{DD_2}
PA14	76	I/O	5VT	Default: JTCK, SWCLK Remap: PA14
PA15	77	I/O	5VT	Default: JTDI Alternate: SPI2_NSS, I2S2_WS Remap: TIMER1_CH0, TIMER1_ETI, PA15, SPI0_NSS
PC10	78	I/O	5VT	Default: PC10 Alternate: UART3_TX, SDIO_D2 Remap: USART2_TX, SPI2_SCK, I2S2_CK, TLI_R2
PC11	79	I/O	5VT	Default: PC11 Alternate: UART3_RX, SDIO_D3 Remap: USART2_RX, SPI2_MISO
PC12	80	I/O	5VT	Default: PC12 Alternate: UART4_TX, SDIO_CK Remap: USART2_CK, SPI2_MOSI, I2S2_SD
PD0	81	I/O	5VT	Default: PD0 Alternate: EXMC_D2 Remap: CAN0_RX, OSCIN
PD1	82	I/O	5VT	Default: PD1 Alternate: EXMC_D3 Remap: CAN0_TX, OSCOUT
PD2	83	I/O	5VT	Default: PD2 Alternate: TIMER2_ETI, UART4_RX, SDIO_CMD
PD3	84	I/O	5VT	Default: PD3 Alternate: EXMC_CLK Remap: USART1_CTS, TLI_G7, SPI1_SCK, I2S1_CK
PD4	85	I/O	5VT	Default: PD4 Alternate: EXMC_NOE Remap: USART1_RTS
PD5	86	I/O	5VT	Default: PD5 Alternate: EXMC_NWE Remap: USART1_TX
PD6	87	I/O	5VT	Default: PD6 Alternate: EXMC_NWAIT Remap: USART1_RX, TLI_B2, SPI2_MOSI, I2S2_SD

Pin Name	Pins	Pin Type ⁽¹⁾	I/O ⁽²⁾ Level	Functions description
PD7	88	I/O	5VT	Default: PD7 Alternate: EXMC_NE0, EXMC_NCE1 Remap: USART1_CK
PB3	89	I/O	5VT	Default: JTDO Alternate: SPI2_SCK, I2S2_CK Remap: PB3, TRACESWO, TIMER1_CH1, SPI0_SCK
PB4	90	I/O	5VT	Default: JNTRST Alternate: SPI2_MISO Remap: TIMER2_CH0, PB4, SPI0_MISO
PB5	91	I/O		Default: PB5 Alternate: I2C0_SMBA, SPI2_MOSI, I2S2_SD Remap: TIMER2_CH1, SPI0_MOSI, CAN1_RX, EXMC_SDCKE1
PB6	92	I/O	5VT	Default: PB6 Alternate: I2C0_SCL, TIMER3_CH0 Remap: USART0_TX, CAN1_TX, EXMC_SDNE1, SPI0_IO3
PB7	93	I/O	5VT	Default: PB7 Alternate: I2C0_SDA, TIMER3_CH1, EXMC_NL Remap: USART0_RX, SPI0_IO4
BOOT0	94	I		Default: BOOT0
PB8	95	I/O	5VT	Default: PB8 Alternate: TIMER3_CH2, TIMER9_CH0, SDIO_D4 Remap: I2C0_SCL, CAN0_RX, TLI_B6
PB9	96	I/O	5VT	Default: PB9 Alternate: TIMER3_CH3, TIMER10_CH0, SDIO_D5 Remap: I2C0_SDA, CAN0_TX, TLI_B7, SPI1_NSS, I2S1_WS
PE0	97	I/O	5VT	Default: PE0 Alternate: TIMER3_ETI, EXMC_NBL0, UART7_RX
PE1	98	I/O	5VT	Default: PE1 Alternate: EXMC_NBL1, UART7_TX
V _{SS_3}	99	P		Default: V _{SS_3}
V _{DD_3}	100	P		Default: V _{DD_3}

Notes:

(1) Type: I = input, O = output, P = power.

(2) I/O Level: 5VT = 5 V tolerant.

2.6.3. GD32F205Rx LQFP64 pin definitions
Table 2-5. GD32F205Rx LQFP64 pin definitions

Pin Name	Pins	Pin Type ⁽¹⁾	I/O Level ⁽²⁾	Functions description
V _{BAT}	1	P		Default: V _{BAT}
PC13-TAMPER-RTC	2	I/O		Default: PC13 Alternate: TAMPER-RTC
PC14-OSC32IN	3	I/O		Default: PC14 Alternate: OSC32IN
PC15-OSC32OUT	4	I/O		Default: PC15 Alternate: OSC32OUT
OSCIN	5	I		Default: OSCIN Remap: PD0
OSCOUT	6	O		Default: OSCOUT Remap: PD1
NRST	7	I/O		Default: NRST
PC0	8	I/O		Default: PC0 Alternate: ADC012_IN10 Remap: EXMC_SDNWE
PC1	9	I/O		Default: PC1 Alternate: ADC012_IN11
PC2	10	I/O		Default: PC2 Alternate: ADC012_IN12 Remap: EXMC_SDNE0, SPI1_MISO
PC3	11	I/O		Default: PC3 Alternate: ADC012_IN13 Remap: EXMC_SDCKE0, SPI1_MOSI, I2S1_SD
V _{SSA}	12	P		Default: V _{SSA}
V _{DDA}	13	P		Default: V _{DDA}
PA0-WKUP	14	I/O		Default: PA0 Alternate: WKUP, USART1_CTS, ADC012_IN0, TIMER1_CH0, TIMER1_ETI, TIMER4_CH0, TIMER7_ETI Remap: UART3_TX
PA1	15	I/O		Default: PA1 Alternate: USART1_RTS, ADC012_IN1, TIMER1_CH1, TIMER4_CH1 Remap: UART3_RX
PA2	16	I/O		Default: PA2 Alternate: USART1_TX, ADC012_IN2, TIMER1_CH2, TIMER4_CH2, TIMER8_CH0, SPI0_IO3
PA3	17	I/O		Default: PA3 Alternate: USART1_RX, ADC012_IN3, TIMER1_CH3, TIMER4_CH3, TIMER8_CH1, SPI0_IO4 Remap: TLI_B5
V _{SS_4}	18	P		Default: V _{SS_4}

Pin Name	Pins	Pin Type ⁽¹⁾	I/O Level ⁽²⁾	Functions description
V _{DD_4}	19	P		Default: V _{DD_4}
PA4	20	I/O		Default: PA4 Alternate: SPI0_NSS, USART1_CK, DAC_OUT0, ADC01_IN4 Remap: SPI2_NSS, I2S2_WS, TLI_VSYNC
PA5	21	I/O		Default: PA5 Alternate: SPI0_SCK, ADC01_IN5, DAC_OUT1 Remap: TIMER1_CH0, TIMER1_ETI, TIMER7_CH0_ON
PA6	22	I/O		Default: PA6 Alternate: SPI0_MISO, ADC01_IN6, TIMER2_CH0, TIMER7_BRKIN, TIMER12_CH0 Remap: TIMER0_BRKIN, TLI_G2
PA7	23	I/O		Default: PA7 Alternate: SPI0_MOSI, ADC01_IN7, TIMER2_CH1, TIMER7_CH0_ON, TIMER13_CH0 Remap: TIMER0_CH0_ON
PC4	24	I/O		Default: PC4 Alternate: ADC01_IN14
PC5	25	I/O		Default: PC5 Alternate: ADC01_IN15
PB0	26	I/O		Default: PB0 Alternate: ADC01_IN8, TIMER2_CH2, TIMER7_CH1_ON Remap: TIMER0_CH1_ON, TLI_R3
PB1	27	I/O		Default: PB1 Alternate: ADC01_IN9, TIMER2_CH3, TIMER7_CH2_ON Remap: TIMER0_CH2_ON, TLI_R6
PB2	28	I/O	5VT	Default: PB2, BOOT1
PB10	29	I/O	5VT	Default: PB10 Alternate: I2C1_SCL, USART2_TX Remap: TIMER1_CH2, TLI_G4, SPI1_SCK, I2S1_CK
PB11	30	I/O	5VT	Default: PB11 Alternate: I2C1_SDA, USART2_RX Remap: TIMER1_CH3, TLI_G5
V _{SS_1}	31	P		Default: V _{SS_1}
V _{DD_1}	32	P		Default: V _{DD_1}
PB12	33	I/O	5VT	Default: PB12 Alternate: SPI1_NSS, I2C1_SMBA, USART2_CK, TIMER0_BRKIN, I2S1_WS, CAN1_RX
PB13	34	I/O	5VT	Default: PB13 Alternate: SPI1_SCK, USART2_CTS, TIMER0_CH0_ON, I2S1_CK, CAN1_TX
PB14	35	I/O	5VT	Default: PB14 Alternate: SPI1_MISO, USART2_RTS, TIMER0_CH1_ON, TIMER11_CH0
PB15	36	I/O	5VT	Default: PB15

Pin Name	Pins	Pin Type ⁽¹⁾	I/O Level ⁽²⁾	Functions description
				Alternate: SPI1_MOSI, TIMER0_CH2_ON, I2S1_SD, TIMER11_CH1
PC6	37	I/O	5VT	Default: PC6 Alternate: I2S1_MCK, TIMER7_CH0, SDIO_D6, USART5_TX Remap: TIMER2_CH0, TLI_HSYNC
PC7	38	I/O	5VT	Default: PC7 Alternate: I2S2_MCK, TIMER7_CH1, SDIO_D7, USART5_RX Remap: TIMER2_CH1, TLI_G6
PC8	39	I/O	5VT	Default: PC8 Alternate: TIMER7_CH2, SDIO_D0, USART5_CK Remap: TIMER2_CH2
PC9	40	I/O	5VT	Default: PC9 Alternate: TIMER7_CH3, SDIO_D, CK_OUT1 Remap: TIMER2_CH3, I2C2_SDA
PA8	41	I/O	5VT	Default: PA8 Alternate: USART0_CK, TIMER0_CH0, CK_OUT0, VCORE, USBFS_SOF Remap: TLI_R6, I2C2_SCL
PA9	42	I/O	5VT	Default: PA9 Alternate: USART0_TX, TIMER0_CH1, USBFS_VBUS Remap: I2C2_SMBAL
PA10	43	I/O	5VT	Default: PA10 Alternate: USART0_RX, TIMER0_CH2, USBFS_ID
PA11	44	I/O	5VT	Default: PA11 Alternate: USART0_CTS, CAN0_RX, USBFS_DM, TIMER0_CH3 Remap: TLI_R4
PA12	45	I/O	5VT	Default: PA12 Alternate: USART0_RTS, USBFS_DP, CAN0_TX, TIMER0_ETI Remap: TLI_R5
PA13	46	I/O	5VT	Default: JTMS, SWDIO Remap: PA13
V _{SS_2}	47	P		Default: V _{SS_2}
V _{DD_2}	48	P		Default: V _{DD_2}
PA14	49	I/O	5VT	Default: JTCK, SWCLK Remap: PA14
PA15	50	I/O	5VT	Default: JTDI Alternate: SPI2_NSS, I2S2_WS Remap: TIMER1_CH0, TIMER1_ETI, PA15, SPI0_NSS
PC10	51	I/O	5VT	Default: PC10 Alternate: UART3_TX, SDIO_D2 Remap: USART2_TX, SPI2_SCK, I2S2_CK, TLI_R2
PC11	52	I/O	5VT	Default: PC11 Alternate: UART3_RX, SDIO_D3

Pin Name	Pins	Pin Type ⁽¹⁾	I/O Level ⁽²⁾	Functions description
				Remap: USART2_RX, SPI2_MISO
PC12	53	I/O	5VT	Default: PC12 Alternate: UART4_TX, SDIO_CK Remap: USART2_CK, SPI2_MOSI, I2S2_SD
PD2	54	I/O	5VT	Default: PD2 Alternate: TIMER2_ETI, UART4_RX, SDIO_CMD
PB3	55	I/O	5VT	Default: JTDO Alternate: SPI2_SCK, I2S2_CK Remap: PB3, TRACESWO, TIMER1_CH1, SPI0_SCK
PB4	56	I/O	5VT	Default: JNTRST Alternate: SPI2_MISO Remap: TIMER2_CH0, PB4, SPI0_MISO
PB5	57	I/O		Default: PB5 Alternate: I2C0_SMBA, SPI2_MOSI, I2S2_SD Remap: TIMER2_CH1, SPI0_MOSI, CAN1_RX, EXMC_SDCKE1
PB6	58	I/O	5VT	Default: PB6 Alternate: I2C0_SCL, TIMER3_CH0 Remap: USART0_TX, CAN1_TX, EXMC_SDNE1, SPI0_IO3
PB7	59	I/O	5VT	Default: PB7 Alternate: I2C0_SDA, TIMER3_CH1, EXMC_NL Remap: USART0_RX, SPI0_IO4
BOOT0	60	I		Default: BOOT0
PB8	61	I/O	5VT	Default: PB8 Alternate: TIMER3_CH2, TIMER9_CH0, SDIO_D4 Remap: I2C0_SCL, CAN0_RX, TLI_B6
PB9	62	I/O	5VT	Default: PB9 Alternate: TIMER3_CH3, TIMER10_CH0, SDIO_D5 Remap: I2C0_SDA, CAN0_TX, TLI_B7, SPI1_NSS, I2S1_WS
V _{SS_3}	63	P		Default: V _{SS_3}
V _{DD_3}	64	P		Default: V _{DD_3}

Notes:

- (1) Type: I = input, O = output, P = power.
 (2) I/O Level: 5VT = 5 V tolerant.

3. Functional description

3.1. Arm® Cortex®-M3 core

The Cortex®-M3 processor is the latest generation of Arm® processors for embedded systems. It has been developed to provide a low-cost platform that meets the needs of MCU implementation, with a reduced pin count and low-power consumption, while delivering outstanding computational performance and an advanced system response to interrupts.

- 32-bit Arm® Cortex®-M3 processor core
- Up to 120 MHz operation frequency
- Single-cycle multiplication and hardware divider
- Integrated Nested Vectored Interrupt Controller (NVIC)
- 24-bit SysTick timer

The Cortex®-M3 processor is based on the ARMv7 architecture and supports both Thumb and Thumb-2 instruction sets. Some system peripherals listed below are also provided by Cortex®-M3:

- Internal Bus Matrix connected with ICode bus, DCode bus, system bus, Private Peripheral Bus (PPB) and debug accesses (AHB-AP)
- Nested Vectored Interrupt Controller (NVIC)
- Flash Patch and Breakpoint (FPB)
- Data Watchpoint and Trace (DWT)
- Instrument Trace Macrocell (ITM)
- Memory Protection Unit (MPU)
- Serial Wire JTAG Debug Port (SWJ-DP)
- Trace Port Interface Unit (TPIU)

3.2. On-chip memory

- Up to 3072 Kbytes of flash memory, including code flash and data flash
- Up to 256 Kbytes of SRAM

The Arm® Cortex®-M3 processor is structured in Harvard architecture which can use separate buses to fetch instructions and load/store data. 3072 Kbytes of inner flash at most, which includes code flash and data flash is available for storing programs and data, and accessed (R/W) at CPU clock speed with zero wait states. Up to 256 Kbytes of inner SRAM is composed of SRAM0, SRAM1, and SRAM2 that can be accessed at same time. [Table 2-2 GD32F205xx memory map](#) shows the memory map of the GD32F205xx series of devices, including flash, SRAM, peripheral, and other pre-defined regions.

3.3. Clock, reset and supply management

- Internal 8 MHz factory-trimmed RC and external 3 to 25 MHz crystal oscillator
- Internal 40 KHz RC calibrated oscillator and external 32.768 KHz crystal oscillator
- Integrated system clock PLL
- 2.6 to 3.6 V application supply and I/Os
- Supply Supervisor: POR (Power On Reset), PDR (Power Down Reset), and low voltage detector (LVD)

The Clock Control Unit (CCU) provides a range of oscillator and clock functions. These include speed internal RC oscillator and external crystal oscillator, high speed and low speed two types. Several prescalers allow the frequency configuration of the AHB and two APB domains. The maximum frequency of the AHB/APB2/APB1 domains is 120/120/60 MHz. See [Figure 2-5. GD32F205xx clock tree](#) for details on the clock tree.

The Reset Control Unit (RCU) controls three kinds of reset: system reset resets the processor core and peripheral IP components. Power-on reset (POR) and power-down reset (PDR) are always active, and ensures proper operation starting from 2.6 V and down to 1.8V. The device remains in reset mode when V_{DD} is below a specified threshold. The embedded low voltage detector (LVD) monitors the power supply, compares it to the voltage threshold and generates an interrupt as a warning message for leading the MCU into security.

Power supply schemes:

- V_{DD} range: 2.6 to 3.6 V, external power supply for I/Os and the internal regulator. Provided externally through V_{DD} pins.
- V_{SSA} , V_{DDA} range: 2.6 to 3.6 V, external analog power supplies for ADC, reset blocks, RCs and PLL. V_{DDA} and V_{SSA} must be connected to V_{DD} and V_{SS} , respectively.
- V_{BAT} range: 1.8 to 3.6 V, power supply for RTC, external clock 32 KHz oscillator and backup registers (through power switch) when V_{DD} is not present.

3.4. Boot modes

At startup, boot pins are used to select one of three boot options:

- Boot from main flash memory (default)
- Boot from system memory
- Boot from on-chip SRAM

The boot loader is located in the internal boot ROM memory (system memory). It is used to reprogram the flash memory by using USART0 (PA9 and PA10), USART1 (PD5 and PD6) and USB (PA9, PA10, PA11 and PA12). It also can be used to transfer and update the flash memory code, the data and the vector table sections. In default condition, boot from bank 0 of flash memory is selected. It also supports to boot from bank 1 of flash memory by setting a bit in option bytes.

3.5. Power saving modes

The MCU supports three kinds of power saving modes to achieve even lower power consumption. They are sleep mode, deep-sleep mode, and standby mode. These operating modes reduce the power consumption and allow the application to achieve the best balance between the CPU operating time, speed and power consumption.

- **Sleep mode**

In sleep mode, only the clock of CPU core is off. All peripherals continue to operate and any interrupt/event can wake up the system.

- **Deep-sleep mode**

In deep-sleep mode, all clocks in the 1.2V domain are off, and all of the high speed crystal oscillator (IRC8M, HXTAL) and PLL are disabled. Only the contents of SRAM and registers are retained. Any interrupt or wakeup event from EXTI lines can wake up the system from the deep-sleep mode including the 16 external lines, the RTC alarm, the LVD output, and USB wakeup. When exiting the deep-sleep mode, the IRC8M is selected as the system clock.

- **Standby mode**

In standby mode, the whole 1.2V domain is power off, the LDO is shut down, and all of IRC8M, HXTAL and PLL are disabled. The contents of SRAM and registers (except backup registers) are lost. There are four wakeup sources for the standby mode, including the external reset from NRST pin, the RTC alarm, the FWDGT reset, and the rising edge on WKUP pin.

3.6. Analog to digital converter (ADC)

- 12-bit SAR ADC engine with up to 2 MSPS conversion rate
- 12-bit, 10-bit, 8-bit or 6-bit configurable resolution
- Hardware oversampling ratio adjustable from 2 to 256x improves resolution to 16-bit
- Conversion range: V_{SSA} to V_{DDA} (2.6 to 3.6 V)
- Temperature sensor

Up to three 12-bit 2 MSPS multi-channel ADC are integrated in the device. It is a total of up to 16 multiplexed external channels with 2 internal channels for temperature sensor and voltage reference measurement. The conversion range is between $2.6\text{ V} < V_{DDA} < 3.6\text{ V}$. An on-chip 16-bit hardware oversample scheme improves performances while off-loading the related computational burden from the MCU. An analog watchdog block can be used to detect the channels, which are required to remain within a specific threshold window. A configurable channel management block of analog inputs also can be used to perform conversions in single, continuous, scan or discontinuous mode to support more advanced usages.

The ADC can be triggered from the events generated by the general level 0 timers (TIMERx) and the advanced timers (TIMER0 and TIMER7) with internal connection. The temperature sensor can be used to generate a voltage that varies linearly with temperature. It is internally

connected to the ADC_IN16 input channel which is used to convert the sensor output voltage into a digital value.

3.7. Digital to analog converter (DAC)

- 12-bit DAC converter of independent output channel
- 8-bit or 12-bit mode in conjunction with the DMA controller

The 12-bit buffered DAC channel is used to generate variable analog outputs. The DAC is designed with integrated resistor strings structure. The DAC channels can be triggered by the timer update outputs or EXTI with DMA support. The maximum output value of the DAC is V_{REF+} .

3.8. DMA

- 14 channels DMA controller and each channel are configurable (7 for DMA0 and 7 for DMA1)
- Peripherals supported: Timers, ADC, SPIs, I2Cs, USARTs, DAC, I2S and SDIO

The flexible general-purpose DMA controllers provide a hardware method of transferring data between peripherals and/or memory without intervention from the CPU, thereby freeing up bandwidth for other system functions. Three types of access method are supported: peripheral to memory, memory to peripheral, memory to memory.

Each channel is connected to fixed hardware DMA requests. The priorities of DMA channel requests are determined by software configuration and hardware channel number. Transfer size of source and destination are independent and configurable.

3.9. General-purpose inputs/outputs (GPIOs)

- Up to 114 fast GPIOs, all mappable on 16 external interrupt lines
- Analog input/output configurable
- Alternate function input/output configurable

There are up to 114 general purpose I/O pins (GPIO) in GD32F205xx, named PA0 ~ PA15, PB0 ~ PB15, PC0 ~ PC15, PD0 ~ PD15, PE0 ~ PE15, PF0 ~ PF15, PG0 ~ PG15, PH0 ~ PH1 to implement logic input/output functions. Each of the GPIO ports has related control and configuration registers to satisfy the requirements of specific applications. The external interrupts on the GPIO pins of the device have related control and configuration registers in the Interrupt/event controller (EXTI). The GPIO ports are pin-shared with other alternative functions (AFs) to obtain maximum flexibility on the package pins. Each of the GPIO pins can be configured by software as output (push-pull or open-drain), as input (with or without pull-up or pull-down) or as peripheral alternate function. Most of the GPIO pins are shared with

digital or analog alternate functions. All GPIOs are high-current capable except for analog inputs.

3.10. Timers and PWM generation

- Two 16-bit advanced timer (TIMER0 & TIMER7), ten 16-bit general timers (TIMER1 ~ TIMER4, TIMER8 ~ TIMER13), and two 16-bit basic timer (TIMER5 & TIMER6)
- Up to 4 independent channels of PWM, output compare or input capture for each general timer and external trigger input
- 16-bit, motor control PWM advanced timer with programmable dead-time generation for output match
- Encoder interface controller with two inputs using quadrature decoder
- 24-bit SysTick timer down counter
- 2 watchdog timers (free watchdog timer and window watchdog timer)

The advanced timer (TIMER0 & TIMER7) can be used as a three-phase PWM multiplexed on 6 channels. It has complementary PWM outputs with programmable dead-time generation. It can also be used as a complete general timer. The 4 independent channels can be used for input capture, output compare, PWM generation (edge- or center-aligned counting modes) and single pulse mode output. If configured as a 16-bit general timer, it has the same functions as the TIMEx timer. It can be synchronized with external signals or to interconnect with other general timers together which have the same architecture and features.

The general timer, known as TIMER1 ~ TIMER4, TIMER8 ~ TIMER13 can be used for a variety of purposes including general time, input signal pulse width measurement or output waveform generation such as a single pulse generation or PWM output, up to 4 independent channels for input capture/output compare. The general timer is based on a 16-bit auto-reload up/down counter and a 16-bit prescaler. TIMER1 ~ TIMER4 and TIMER8/TIMER11 also supports an encoder interface with two inputs using quadrature decoder.

The basic timer, known as TIMER5 & TIMER6, are mainly used for DAC trigger generation. They can also be used as a simple 16-bit time base.

The GD32F205xx have two watchdog peripherals, free watchdog timer and window watchdog timer. They offer a combination of high safety level, flexibility of use and timing accuracy.

The free watchdog timer includes a 12-bit down-counting counter and an 8-bit prescaler, it is clocked from an independent 40 KHz internal RC and as it operates independently of the main clock, it can operate in deep-sleep and standby modes. It can be used either as a watchdog to reset the device when a problem occurs, or as a free-running timer for application timeout management.

The window watchdog timer is based on a 7-bit down counter that can be set as free-running. It can be used as a watchdog to reset the device when a problem occurs. It is clocked from the main clock. It has an early wakeup interrupt capability and the counter can be frozen in debug mode.

The SysTick timer is dedicated for OS, but could also be used as a standard down counter.

The features are shown below:

- A 24-bit down counter
- Auto reload capability
- Maskable system interrupt generation when the counter reaches 0
- Programmable clock source

3.11. Real time clock (RTC) and backup registers

- 32-bit up-counter with a programmable 20-bit prescaler
- Alarm function
- Interrupt and wake-up event
- 84 bytes backup registers for data protection

The real time clock is an independent timer which provides a set of continuously running counters in backup registers to provide a real calendar function, and provides an alarm interrupt or an expected interrupt. It is not reset by a system or power reset, or when the device wakes up from standby mode. A 20-bit prescaler is used for the time base clock and is by default configured to generate a time base of 1 second from a clock at 32.768 KHz from external crystal oscillator.

The backup registers are located in the backup domain that remains powered-on by V_{BAT} even if V_{DD} power is shut down, they are forty two 16-bit (84 bytes) registers for data protection of user application data, and the wake-up action from standby mode or system reset do not affect these registers.

In addition, the backup registers can be used to implement the tamper detection, RTC calibration function and waveform detection.

3.12. Inter-integrated circuit (I2C)

- Up to three I2C bus interfaces can support both master and slave mode with a frequency up to 400 KHz
- Provide arbitration function, optional PEC (packet error checking) generation and checking
- Supports 7-bit and 10-bit addressing mode and general call addressing mode

The I2C interface is an internal circuit allowing communication with an external I2C interface which is an industry standard two line serial interface used for connection to external hardware. These two serial lines are known as a serial data line (SDA) and a serial clock line (SCL). The I2C module provides transfer rate of up to 100 KHz in standard mode and up to 400 KHz in fast mode. The I2C module also has an arbitration detect function to prevent the situation where more than one master attempts to transmit data to the I2C bus at the same time. A CRC-8 calculator is also provided in I2C interface to perform packet error checking

for I2C data.

3.13. Serial peripheral interface (SPI)

- Up to three SPI interfaces with a frequency of up to 30 MHz
- Support both master and slave mode
- Hardware CRC calculation and transmit automatic CRC error checking
- Quad wire configuration available in master mode (only in SPI0)

The SPI interface uses 4 pins, among which are the serial data input and output lines (MISO & MOSI), the clock line (SCK) and the slave select line (NSS). Both SPIs can be served by the DMA controller. The SPI interface may be used for a variety of purposes, including simplex synchronous transfers on two lines with a possible bidirectional data line or reliable communication using CRC checking. Quad-SPI master mode is also supported in SPI0.

3.14. Universal synchronous/asynchronous receiver transmitter (USART/UART)

- Up to four USARTs and four UARTs with operating frequency up to 7.5 MHz
- Supports both asynchronous and clocked synchronous serial communication modes
- IrDA SIR encoder and decoder support
- LIN break generation and detection
- ISO 7816-3 compliant smart card interface

The USART (USART0, USART1, USART2, USART5) and UART (UART3, UART4, UART6, UART7) are used to transmit data between parallel and serial interfaces, provides a flexible full duplex data exchange using synchronous or asynchronous transfer. It is also commonly used for RS-232 standard communication. The USART/UART includes a programmable baud rate generator which is capable of dividing the system clock to produce a dedicated clock for the USART/UART transmitter and receiver. The USART/UART also supports DMA function for high speed data communication.

3.15. Inter-IC sound (I2S)

- Two I2S bus Interfaces with sampling frequency from 8 KHz to 192 KHz, multiplexed with SPI1 and SPI2
- Support either master or slave mode audio
- Sampling frequencies from 8 KHz up to 192 KHz are supported.

The Inter-IC sound (I2S) bus provides a standard communication interface for digital audio applications by 3-wire serial lines. GD32F205xx contain an I2S-bus interface that can be operated with 16/32-bit resolution in master or slave mode, pin multiplexed with SPI1 and

SPI2. The audio sampling frequencies from 8 KHz to 192 KHz is supported with less than 0.5% accuracy error.

3.16. Universal serial bus full-speed interface (USBFS)

- One USB device/host full-speed Interface with frequency up to 12 Mbit/s
- Internal main PLL for USB CLK compliantly

The Universal Serial Bus (USB) is a 4-wire bus with 4 bidirectional endpoints. The device controller enables 12 Mbit/s data exchange with integrated transceivers in device/host mode. Full-speed peripheral is compliant with the USB 2.0 specification. Transaction formatting is performed by the hardware, including CRC generation and checking. The status of a completed USB transfer or error condition is indicated by status registers. An interrupt is also generated if enabled. The dedicated 48 MHz clock is generated from the internal main PLL (the clock source must use a HXTAL crystal oscillator) and the operating frequency divided from APB1 should be 12 MHz above.

3.17. Controller area network (CAN)

- Two CAN2.0B interface with communication frequency up to 1 Mbit/s
- Internal main PLL for CAN CLK compliantly

Controller area network (CAN) is a method for enabling serial communication in field bus. The CAN protocol has been used extensively in industrial automation and automotive applications. It can receive and transmit standard frames with 11-bit identifiers as well as extended frames with 29-bit identifiers. Each CAN has three mailboxes for transmission and two FIFOs of three message deep for reception. It also provides 28 scalable/configurable identifier filter banks for selecting the incoming messages needed and discarding the others.

3.18. External memory controller (EXMC)

- Supported external memory: SRAM, PSRAM, ROM and NOR-Flash, NAND Flash and PC card, SDRAM with up to 32-bit data bus
- Provide ECC calculating hardware module for NAND Flash memory block
- Two SDRAM banks with independent configuration, up to 13-bits Row Address, 11-bits Column Address, 2-bits internal banks address
- SDRAM Memory size: 4x16Mx32bit(256 MB), 4x16Mx16bit (128 MB), 4x16Mx8bit (64 MB)

External memory controller (EXMC) is an abbreviation of external memory controller. It is divided into several sub-banks for external device support, each sub-bank has its own chip selection signal but at one time, only one bank can be accessed. The EXMC support code execution from external memory except NAND Flash and PC card. The EXMC also can be

configured to interface with the most common LCD module of Motorola 6800 and Intel 8080 series and reduce the system cost and complexity.

The EXMC of GD32F205xx in LQFP144 package also supports synchronous dynamic random access memory (SDRAM). It translates AHB transactions into the appropriate SDRAM protocol, and meanwhile, makes sure the access time requirements of the external SDRAM devices are satisfied.

3.19. Secure digital input and output card interface (SDIO)

- Support SD2.0/SDIO2.0/MMC4.2 host interface

The Secure Digital Input and Output Card Interface (SDIO) provides access to external SD memory cards specifications version 2.0, SDIO card specification version 2.0 and multi-media card system specification version 4.2 with DMA supported. In addition, this interface is also compliant with CE-ATA digital protocol rev1.1.

3.20. TFT LCD interface (TLI)

- 24-bit RGB Parallel Pixel Output; 8 bits-per-pixel (RGB888)
- Supports up to SVGA (800x600) resolution

The TFT LCD interface provides a parallel digital RGB (Red, Green, Blue) and signals for horizontal, vertical synchronization, pixel clock and data enable as output to interface directly to a variety of LCD (Liquid Crystal Display) and TFT (Thin Film Transistor) panels. A built-in DMA engine continuously move data from system memory to TLI and then, output to an external LCD display. Two separate layers are supported in TLI, as well as layer window and blending function.

3.21. Debug mode

- Serial wire JTAG debug port (SWJ-DP)

The Arm® SWJ-DP Interface is embedded and is a combined JTAG and serial wire debug port that enables either a serial wire debug or a JTAG probe to be connected to the target.

3.22. Package and operation temperature

- LQFP144 (GD32F205Zx), LQFP100 (GD32F205Vx), LQFP64 (GD32F205Rx)
- Operation temperature range: -40°C to +85°C (industrial level)

4. Electrical characteristics

4.1. Absolute maximum ratings

The maximum ratings are the limits to which the device can be subjected without permanently damaging the device. Note that the device is not guaranteed to operate properly at the maximum ratings. Exposure to the absolute maximum rating conditions for extended periods may affect device reliability.

Table 4-1. Absolute maximum ratings

Symbol	Parameter	Min	Max	Unit
V _{DD}	External voltage range	V _{SS} - 0.3	V _{SS} + 3.6	V
V _{DDA}	External analog supply voltage	V _{SSA} - 0.3	V _{SSA} + 3.6	V
V _{BAT}	External battery supply voltage	V _{SS} - 0.3	V _{SS} + 3.6	V
V _{IN}	Input voltage on 5V tolerant pin	V _{SS} - 0.3	V _{DD} + 4.0	V
	Input voltage on other I/O	V _{SS} - 0.3	4.0	V
I _{IO}	Maximum current for GPIO pins	—	25	mA
I _{INJ}	Injected current on 5V tolerant pin	—	±5	mA
	Injected current on other I/O	—	±5	mA
∑I _{INJ}	Injected current on all I/O	—	±25	mA
T _A	Operating temperature range	-40	+85	°C
T _{STG}	Storage temperature range	-55	+150	°C
T _J	Maximum junction temperature	—	125	°C

4.2. Recommended DC characteristics

Table 4-2. DC operating conditions

Symbol	Parameter	Conditions	Min	Typ	Max	Unit
V _{DD}	Supply voltage	—	2.6	3.3	3.6	V
V _{DDA}	Analog supply voltage	Same as V _{DD}	2.6	3.3	3.6	V
V _{BAT}	Battery supply voltage	—	1.8	—	3.6	V

4.3. Power consumption

The power measurements specified in the tables represent that code with data executing from on-chip Flash with the following specifications.

Table 4-3. Power consumption characteristics

Symbol	Parameter	Conditions	Min	Typ	Max	Unit
I _{DD} + I _{DDA}	Supply current (Run mode)	V _{DD} =V _{DDA} =3.3V, HXTAL=25MHz, System clock=120 MHz, All peripherals enabled	—	95.52	—	mA

Symbol	Parameter	Conditions	Min	Typ	Max	Unit	
I _{BAT}		V _{DD} =V _{DDA} =3.3V, HXTAL=25MHz, System clock =120 MHz, All peripherals disabled	—	55.23	—	mA	
		V _{DD} =V _{DDA} =3.3V, HXTAL=25MHz, System clock=108 MHz, All peripherals enabled	—	86.22	—	mA	
		V _{DD} =V _{DDA} =3.3V, HXTAL=25MHz, System clock =108 MHz, All peripherals disabled	—	50.05	—	mA	
		V _{DD} =V _{DDA} =3.3V, HXTAL=25MHz, System clock =72MHz, All peripherals enabled	—	58.42	—	mA	
		V _{DD} =V _{DDA} =3.3V, HXTAL=25MHz, System Clock =72 MHz, All peripherals disabled	—	34.32	—	mA	
	Supply current (Sleep mode)	V _{DD} =V _{DDA} =3.3V, HXTAL=8MHz, CPU clock off, System clock=120 MHz, All peripherals enabled	—	59.46	—	mA	
		V _{DD} =V _{DDA} =3.3V, HXTAL=8MHz, CPU clock off, System clock=120 MHz, All peripherals disabled	—	12.22	—	mA	
	Supply current (Deep-Sleep mode)	V _{DD} =V _{DDA} =3.3V, Regulator in Run mode, IRC40K on, RTC on, All GPIOs analog mode	—	1.23	—	mA	
		V _{DD} =V _{DDA} =3.3V, Regulator in Low Power mode, IRC40K on, RTC on, All GPIOs analog mode	—	1.18	—	mA	
		V _{DD} =V _{DDA} =3.3V, Regulator in Run mode, IRC40K off, RTC off, All GPIOs analog mode	—	1.02	6.7	mA	
	Supply current (Standby mode)	V _{DD} =V _{DDA} =3.3V, LXTAL off, IRC40K on, RTC on	—	7.47	—	μA	
		V _{DD} =V _{DDA} =3.3V, LXTAL off, IRC40K on, RTC off	—	7.35	—	μA	
		V _{DD} =V _{DDA} =3.3V, LXTAL off, IRC40K off, RTC off	—	6.13	22	μA	
		Battery supply current	V _{BAT} =3.6V, LXTAL on, RTC on, LXTAL High driving	—	2.69	—	μA
			V _{BAT} =3.3V, LXTAL on, RTC on, LXTAL High driving	—	2.41	—	μA
V _{BAT} =2.6V, LXTAL on, RTC on, LXTAL High driving			—	1.81	—	μA	
V _{BAT} =3.6V, LXTAL on, RTC on, LXTAL Mid High driving			—	1.10	—	μA	
V _{BAT} =3.3V, LXTAL on, RTC on, LXTAL Mid High driving			—	1.04	—	μA	
V _{BAT} =2.6V, LXTAL on, RTC on, LXTAL Mid High driving			—	0.92	—	μA	
V _{BAT} =3.6V, LXTAL on, RTC on, LXTAL Mid Low driving			—	0.83	—	μA	
V _{BAT} =3.3V, LXTAL on, RTC on, LXTAL Mid Low driving			—	0.76	—	μA	
V _{BAT} =2.6V, LXTAL on, RTC on, LXTAL Mid Low driving			—	0.63	—	μA	

4.4. EMC characteristics

EMS (electromagnetic susceptibility) includes ESD (Electrostatic discharge, positive and

negative) and FTB (Burst of Fast Transient voltage, positive and negative) testing result is given in the [Table 4-4. EMS characteristics](#), based on the EMS levels and classes compliant with IEC 61000 series standard.

Table 4-4. EMS characteristics

Symbol	Parameter	Conditions	Level/Class
V _{ESD}	Voltage applied to all device pins to induce a functional disturbance	V _{DD} = 3.3 V, T _A = +25 °C conforms to IEC 61000-4-2	3B
V _{FTB}	Fast transient voltage burst applied to induce a functional disturbance through 100 pF on V _{DD} and V _{SS} pins	V _{DD} = 3.3 V, T _A = +25 °C conforms to IEC 61000-4-4	4A

EMI (Electromagnetic Interference) emission testing result is given in the [Table 4-5. EMI characteristics](#), compliant with IEC 61967-2 standard which specifies the test board and the pin loading.

Table 4-5. EMI characteristics

Symbol	Parameter	Conditions	Tested frequency band	Conditions			Unit
				56M	72M	120M	
S _{EMI}	Peak level	V _{DD} = 3.3 V, T _A = +25 °C, compliant with IEC 61967-2	0.1 to 2 MHz	<0	<0	<0	dBμV
			2 to 30 MHz	-3.7	-2.8	-1.8	
			30 to 130 MHz	-6.5	-8	-5.3	
			130 MHz to 1GHz	-7	-7	-5	

4.5. Power supply supervisor characteristics

Table 4-6. Power supply supervisor characteristics

Symbol	Parameter	Conditions	Min	Typ	Max	Unit
V _{POR}	Power on reset threshold		2.32	2.40	2.48	V
V _{PDR}	power down reset threshold		1.72	1.80	1.88	V
V _{HYST}	PDR hysteresis		—	0.6	—	V
T _{RSTTEMP}	Reset temporization		—	2	—	ms

4.6. Electrical sensitivity

The device is strained in order to determine its performance in terms of electrical sensitivity. Electrostatic discharges (ESD) are applied directly to the pins of the sample. Static latch-up (LU) test is based on the two measurement methods.

Table 4-7. ESD characteristics

Symbol	Parameter	Conditions	Min	Typ	Max	Unit
$V_{ESD(HBM)}$	Electrostatic discharge voltage (human body model)	$T_A=25\text{ }^\circ\text{C}$; JESD22-A114	—	—	5000	V
$V_{ESD(CDM)}$	Electrostatic discharge voltage (charge device model)	$T_A=25\text{ }^\circ\text{C}$; JESD22-C101	—	—	500	V

Table 4-8. Static latch-up characteristics

Symbol	Parameter	Conditions	Min	Typ	Max	Unit
LU	I-test	$T_A=25\text{ }^\circ\text{C}$; JESD78	—	—	± 100	mA
	V_{supply} over voltage		—	—	5.4	V

4.7. External clock characteristics

Table 4-9. High speed external clock (HXTAL) generated from a crystal/ceramic characteristics

Symbol	Parameter	Conditions	Min	Typ	Max	Unit
f_{HXTAL}	High Speed External oscillator (HXTAL) frequency	$V_{\text{DD}}=3.3\text{V}$	3	8	32	MHz
C_{HXTAL}	Recommended load capacitance on OSCIN and OSCOUT	—	—	20	30	pF
R_{FHXTAL}	Recommended external feedback resistor between XTALIN and XTALOUT	—	—	1	—	M Ω
D_{HXTAL}	HXTAL oscillator duty cycle	—	48	50	52	%
I_{DDHXTAL}	HXTAL oscillator operating current	$V_{\text{DD}}=3.3\text{V}, T_{\text{A}}=25^{\circ}\text{C}$	—	—	1.2	μA
t_{SUHXTAL}	HXTAL oscillator startup time	$V_{\text{DD}}=3.3\text{V}, T_{\text{A}}=25^{\circ}\text{C}$	—	2	—	ms

Table 4-10. Low speed external clock (LXTAL) generated from a crystal/ceramic characteristics

Symbol	Parameter	Conditions	Min	Typ	Max	Unit
f_{LXTAL}	Low Speed External oscillator (LXTAL) frequency	$V_{\text{DD}}=V_{\text{BAT}}=3.3\text{V}$	—	32.768	1000	KHz
C_{LXTAL}	Recommended load capacitance on OSC32IN and OSC32OUT	—	8	10	15	pF
R_{FLXTAL}	Recommended external feedback resistor between XTAL32IN and XTAL32OUT	—	—	5	—	M Ω
D_{LXTAL}	LXTAL oscillator duty cycle	—	48	50	52	%
I_{DDLXTAL}	LXTAL oscillator operating current	$V_{\text{DD}}=V_{\text{BAT}}=3.3\text{V}$	—	10	—	μA
t_{SULXTAL}	LXTAL oscillator startup time	$V_{\text{DD}}=V_{\text{BAT}}=3.3\text{V}$	—	3	—	s

4.8. Internal clock characteristics

Table 4-11. High speed internal clock (IRC8M) characteristics

Symbol	Parameter	Conditions	Min	Typ	Max	Unit
f_{IRC8M}	High Speed Internal Oscillator (IRC8M) frequency	$V_{DD}=3.3V$	—	8	—	MHz
ACC_{IRC8M}	IRC8M oscillator Frequency accuracy, Factory-trimmed	$V_{DD}=3.3V, T_A=-40^{\circ}C \sim +105^{\circ}C$	-2.5	—	+1.5	%
		$V_{DD}=3.3V, T_A=0^{\circ}C \sim +85^{\circ}C$	-1.2	—	+1.2	%
		$V_{DD}=3.3V, T_A=25^{\circ}C$	-1	—	+1	%
D_{IRC8M}	IRC8M oscillator duty cycle	$V_{DD}=3.3V, f_{IRC8M}=8MHz$	48	50	52	%
$I_{DDIRC8M}$	IRC8M oscillator operating current	$V_{DD}=3.3V, f_{IRC8M}=8MHz$	—	80	100	μA
$t_{SUIRC8M}$	IRC8M oscillator startup time	$V_{DD}=3.3V, f_{IRC8M}=8MHz$	1	—	2	μs

Table 4-12. Low speed internal clock (IRC40K) characteristics

Symbol	Parameter	Conditions	Min	Typ	Max	Unit
f_{IRC40K}	Low Speed Internal oscillator (IRC40K) frequency	$V_{DD}=V_{BAT}=3.3V, T_A=-40^{\circ}C \sim +85^{\circ}C$	30	40	60	KHz
$I_{DDIRC40K}$	IRC40K oscillator operating current	$V_{DD}=V_{BAT}=3.3V, T_A=25^{\circ}C$	—	1	2	μA
$t_{SUIRC40K}$	IRC40K oscillator startup time	$V_{DD}=V_{BAT}=3.3V, T_A=25^{\circ}C$	—	—	80	μs

4.9. PLL characteristics

Table 4-13. PLL characteristics

Symbol	Parameter	Conditions	Min	Typ	Max	Unit
f_{PLLIN}	PLL input clock frequency		1	8	25	MHz
f_{PLL}	PLL output clock frequency		16	—	120	MHz
t_{LOCK}	PLL lock time		—		100	μs

4.10. Memory characteristics

Table 4-14. Flash memory characteristics

Symbol	Parameter	Conditions	Min	Typ	Max	Unit
PE _{CYC}	Number of guaranteed program /erase cycles before failure (Endurance)	T _A =-40°C ~ +85°C	100	—	—	kcycles
t _{RET}	Data retention time	T _A =125°C	20	—	—	years
t _{PROG}	Word programming time	T _A =-40°C ~ +85°C	200	—	400	us
t _{ERASE}	Page erase time	T _A =-40°C ~ +85°C	60	100	450	ms
t _{MERASE}	Mass erase time	T _A =-40°C ~ +85°C	3.2	—	9.6	s

4.11. GPIO characteristics

Table 4-15. I/O port characteristics

Symbol	Parameter	Conditions	Min	Typ	Max	Unit
V _{IL}	Standard IO Low level input voltage	V _{DD} =2.6V	-0.3	—	0.95	V
	5V-tolerant IO Low level input voltage	V _{DD} =2.6V	-0.3	—	0.9	V
V _{IH}	Standard IO High level input voltage	V _{DD} =2.6V	1.2	—	4.0	V
	5V-tolerant IO High level input voltage	V _{DD} =2.6V	1.5	—	5.5	V
V _{OL}	Low level output voltage	V _{DD} =2.6V	—	—	0.2	V
V _{OH}	High level output voltage	V _{DD} =2.6V	2.3	—	—	V
R _{PU}	Internal pull-up resistor	V _{IN} =V _{SS}	30	40	50	kΩ
R _{PD}	Internal pull-down resistor	V _{IN} =V _{DD}	30	40	50	kΩ

4.12. ADC characteristics

Table 4-16. ADC characteristics

Symbol	Parameter	Conditions	Min	Typ	Max	Unit
V_{DDA}	Operating voltage		2.6	3.3	3.6	V
V_{IN}	ADC input voltage range		0	—	V_{REF+}	V
f_{ADC}	ADC clock		0.6	—	28	MHz
f_s	Sampling rate	12-bit	—	—	2	MHz
R_{ADC}	Input sampling switch resistance		—	—	0.45	k Ω
C_{ADC}	Input sampling capacitance	No pin/pad capacitance included	—	6.4	—	pF
t_{SU}	Startup time		—	—	1	μ s

4.13. DAC characteristics

Table 4-17. DAC characteristics

Symbol	Parameter	Conditions	Min	Typ	Max	Unit
V_{DDA}	Operating voltage		2.6	3.3	3.6	V
V_{DACIN}	DAC input voltage range		0	—	V_{REF+}	V
R_{LOAD}	Load resistance	Resistive load vs. V_{SSA} with buffer ON	5	—	—	k Ω
C_{LOAD}	Load capacitance	No pin/pad capacitance included	—	—	50	pF
DNE	Differential non-linearity error	DAC in 12-bit	—	—	± 3	LSB
INL	Integral non-linearity	DAC in 12-bit	—	—	± 4	LSB
Offset	Offset error	DAC in 12-bit, $V_{REF+} = 3.6$ V	—	—	± 12	LSB
GE	Gain error	DAC in 12-bit	—	—	± 0.5	%

4.14. I2C characteristics

Table 4-18. I2C characteristics

Symbol	Parameter	Conditions	Standard mode		Fast mode		Unit
			Min	Max	Min	Max	
f_{SCL}	SCL clock frequency		0	100	0	400	KHz
$t_{SCL(H)}$	SCL clock high time		4.0	—	0.6	—	ns
$t_{SCL(L)}$	SCL clock low time		4.7	—	1.3	—	ns

4.15. SPI characteristics

Table 4-19. Standard SPI characteristics

Symbol	Parameter	Conditions	Min	Typ	Max	Unit
f_{SCK}	SCK clock frequency		—	—	30	MHz
$t_{SCK(H)}$	SCK clock high time		19	—	—	ns
$t_{SCK(L)}$	SCK clock low time		19	—	—	ns
SPI master mode						
$t_{V(MO)}$	Data output valid time		—	—	25	ns
$t_{H(MO)}$	Data output hold time		2	—	—	ns
$t_{SU(MI)}$	Data input setup time		5	—	—	ns
$t_{H(MI)}$	Data input hold time		5	—	—	ns
SPI slave mode						
$t_{SU(NSS)}$	NSS enable setup time	$f_{PCLK}=54MHz$	74	—	—	ns
$t_{H(NSS)}$	NSS enable hold time	$f_{PCLK}=54MHz$	37	—	—	ns
$t_{A(SO)}$	Data output access time	$f_{PCLK}=54MHz$	0	—	55	ns
$t_{DIS(SO)}$	Data output disable time		3	—	10	ns
$t_{V(SO)}$	Data output valid time		—	—	25	ns
$t_{H(SO)}$	Data output hold time		15	—	—	ns
$t_{SU(SI)}$	Data input setup time		5	—	—	ns
$t_{H(SI)}$	Data input hold time		4	—	—	ns

5. Package information

5.1. LQFP package outline dimensions

Figure 5-1. LQFP package outline

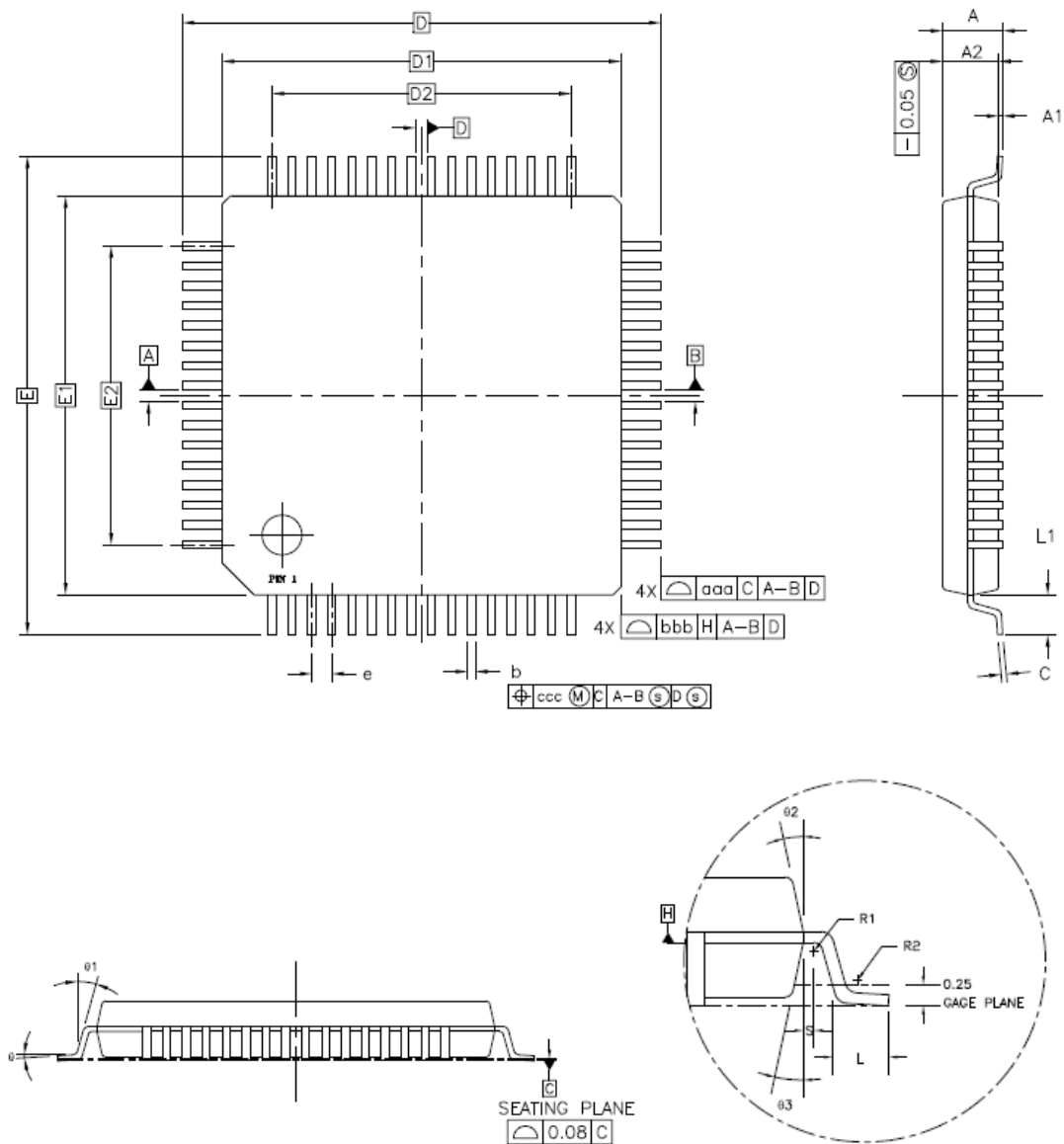


Table 5-1. LQFP package dimensions

Symbol	LQFP64			LQFP100			LQFP144		
	Min	Typ	Max	Min	Typ	Max	Min	Typ	Max
A	-	-	1.60	-	-	1.60	-	-	1.60
A1	0.05	-	0.15	0.05	-	0.15	0.05	-	0.15
A2	1.35	1.40	1.45	1.35	1.40	1.45	1.35	1.40	1.45
D	-	12.00	-	-	16.00	-	-	22.00	-
D1	-	10.00	-	-	14.00	-	-	20.00	-
E	-	12.00	-	-	16.00	-	-	22.00	-
E1	-	10.00	-	-	14.00	-	-	20.00	-
R1	0.08	-	-	0.08	-	-	0.08	-	-
R2	0.08	-	0.20	0.08	-	0.20	0.08	-	0.20
θ	0°	3.5°	7°	0°	3.5°	7°	0°	3.5°	7°
θ_1	0°	-	-	0°	-	-	0°	-	-
θ_2	11°	12°	13°	11°	12°	13°	11°	12°	13°
θ_3	11°	12°	13°	11°	12°	13°	11°	12°	13°
c	0.09	-	0.20	0.09	-	0.20	0.09	-	0.20
L	0.45	0.60	0.75	0.45	0.60	0.75	0.45	0.60	0.75
L1	-	1.00	-	-	1.00	-	-	1.00	-
S	0.20	-	-	0.20	-	-	0.20	-	-
b	0.17	0.20	0.27	0.17	0.20	0.27	0.17	0.20	0.27
e	-	0.50	-	-	0.50	-	-	0.50	-
D2	-	7.50	-	-	12.00	-	-	17.50	-
E2	-	7.50	-	-	12.00	-	-	17.50	-
aaa	0.20			0.20			0.20		
bbb	0.20			0.20			0.20		
ccc	0.08			0.08			0.08		

(Original dimensions are in millimeters)

6. Ordering information

Table 6-1. Part ordering code for GD32F205xx devices

Ordering code	Flash (KB)	Package	Package type	Temperature operating range
GD32F205RCT6	256	LQFP64	Green	Industrial -40°C to +85°C
GD32F205RET6	512	LQFP64	Green	Industrial -40°C to +85°C
GD32F205RGT6	1024	LQFP64	Green	Industrial -40°C to +85°C
GD32F205RKT6	3072	LQFP64	Green	Industrial -40°C to +85°C
GD32F205VCT6	256	LQFP100	Green	Industrial -40°C to +85°C
GD32F205VET6	512	LQFP100	Green	Industrial -40°C to +85°C
GD32F205VGT6	1024	LQFP100	Green	Industrial -40°C to +85°C
GD32F205VKT6	3072	LQFP100	Green	Industrial -40°C to +85°C
GD32F205ZCT6	256	LQFP144	Green	Industrial -40°C to +85°C
GD32F205ZET6	512	LQFP144	Green	Industrial -40°C to +85°C
GD32F205ZGT6	1024	LQFP144	Green	Industrial -40°C to +85°C
GD32F205ZKT6	3072	LQFP144	Green	Industrial -40°C to +85°C

7. Revision history

Table 7-1. Revision history

Revision No.	Description	Date
1.0	Initial Release	Jul. 10, 2015
2.0	Adapt To New Name Convention	Jan. 24, 2018
2.1	Change pin definitions	Dec. 7, 2018
2.2	Modify the clock tree	Nov. 30, 2019
2.3	1.Modify the HXTAL frequency range of the clock tree to 4-32MHz。 2. The ADC2 mapping function corresponding to PF3, PF4 and PF5 pins is modified to multiplexing function.	Mar.13, 2020
2.4	1. Modify the Table 4-3. Power consumption characteristics . Add test conditions and parameters in Deep-Sleep and Standby mode	Jun.1, 2021

Important Notice

This document is the property of GigaDevice Semiconductor Inc. and its subsidiaries (the "Company"). This document, including any product of the Company described in this document (the "Product"), is owned by the Company under the intellectual property laws and treaties of the People's Republic of China and other jurisdictions worldwide. The Company reserves all rights under such laws and treaties and does not grant any license under its patents, copyrights, trademarks, or other intellectual property rights. The names and brands of third party referred thereto (if any) are the property of their respective owner and referred to for identification purposes only.

The Company makes no warranty of any kind, express or implied, with regard to this document or any Product, including, but not limited to, the implied warranties of merchantability and fitness for a particular purpose. The Company does not assume any liability arising out of the application or use of any Product described in this document. Any information provided in this document is provided only for reference purposes. It is the responsibility of the user of this document to properly design, program, and test the functionality and safety of any application made of this information and any resulting product. Except for customized products which has been expressly identified in the applicable agreement, the Products are designed, developed, and/or manufactured for ordinary business, industrial, personal, and/or household applications only. The Products are not designed, intended, or authorized for use as components in systems designed or intended for the operation of weapons, weapons systems, nuclear installations, atomic energy control instruments, combustion control instruments, airplane or spaceship instruments, transportation instruments, traffic signal instruments, life-support devices or systems, other medical devices or systems (including resuscitation equipment and surgical implants), pollution control or hazardous substances management, or other uses where the failure of the device or Product could cause personal injury, death, property or environmental damage ("Unintended Uses"). Customers shall take any and all actions to ensure using and selling the Products in accordance with the applicable laws and regulations. The Company is not liable, in whole or in part, and customers shall and hereby do release the Company as well as its suppliers and/or distributors from any claim, damage, or other liability arising from or related to all Unintended Uses of the Products. Customers shall indemnify and hold the Company as well as its suppliers and/or distributors harmless from and against all claims, costs, damages, and other liabilities, including claims for personal injury or death, arising from or related to any Unintended Uses of the Products.

Information in this document is provided solely in connection with the Products. The Company reserves the right to make changes, corrections, modifications or improvements to this document and Products and services described herein at any time, without notice.

X-ON Electronics

Largest Supplier of Electrical and Electronic Components

Click to view similar products for [ARM Microcontrollers - MCU category](#):

Click to view products by [Gigadevice manufacturer](#):

Other Similar products are found below :

[R7FS3A77C2A01CLK#AC1](#) [R7FS7G27G2A01CLK#AC0](#) [R7FS7G27H2A01CLK#AC0](#) [MB96F119RBPMC-GSE1](#) [MB9BF122LPMC-G-JNE2](#) [MB9BF128SAPMC-GE2](#) [MB9BF529TBGL-GE1](#) [XMC4500-E144F1024 AC](#) [EFM32PG1B200F128GM48-C0](#) [CG8349AT](#)
[STM32F215ZET6TR](#) [26-21/R6C-AT1V2B/CT](#) [5962-8506403MQA](#) [STM32F769AIY6TR](#) [STM32L4R5ZIY6TR](#) [VA10800-D000003PCA](#)
[EFM32PG1B100F256GM32-C0](#) [EFM32PG1B200F256GM32-C0](#) [EFM32PG1B100F128GM32-C0](#) [STM32F779AIY6TR](#)
[MB9BF104NAPMC-G-JNE1](#) [CY8C4125FNI-S433T](#) [CY8C4247FNQ-BL483T](#) [CY8C4725LQI-S401](#) [K32L2A31VLH1A](#) [STM32G474PEI6](#)
[STM32G474PEI6TR](#) [MK26FN2M0CAC18R](#) [TM4C1231H6PMI7R](#) [S6J336CHTBSC20000](#) [STM32C011F4U6TR](#) [STM32C011F6P6](#)
[STM32C011F6U6TR](#) [STM32C031C6T6](#) [STM32C031F6P6](#) [STM32C031G6U6](#) [STM32F100CBT6](#) [STM32F401CCY6TR](#)
[STM32F413VGT6TR](#) [STM32H725AGI3](#) [STM32H725IGT3](#) [STM32L471RET3](#) [STM32MP133FAE7](#) [STM32U575VGT6](#) [STM32U575ZGT6](#)
[STM32WB10CCU5](#) [STM32WB15CCU6](#) [STM32WB35CEU6A](#) [STM32WB35CEU6ATR](#) [STR710RZH6](#)