

GigaDevice Semiconductor Inc.

GD32F350xx

ARM[®] Cortex[®]-M4 32-bit MCU

Datasheet

Table of Contents

Table of Contents	1
List of Figures	4
List of Tables	5
1 General description	7
2 Device overview	8
2.1 Device information	8
2.2 Block diagram	10
2.3 Pinouts and pin assignment	11
2.4 Memory map	13
2.5 Clock tree	15
2.6 Pin definitions	17
2.6.1 GD32F350Rx LQFP64 pin definitions	17
2.6.2 GD32F350Cx LQFP48 pin definitions	21
2.6.3 GD32F350Kx QFN32 pin definitions	24
2.6.4 GD32F350Gx QFN28 pin definitions	26
2.6.5 GD32F350xx pin alternate functions	30
3 Functional description	34
3.1 ARM® Cortex®-M4 core	34
3.2 On-chip memory	34
3.3 Clock, reset and supply management	35
3.4 Boot modes	35
3.5 Power saving modes	36
3.6 Analog to digital converter (ADC)	36
3.7 Digital to analog converter (DAC)	37
3.8 DMA	37
3.9 General-purpose inputs/outputs (GPIOs)	37
3.10 Timers and PWM generation	38
3.11 Real time clock (RTC)	39
3.12 Inter-integrated circuit (I2C)	39
3.13 Serial peripheral interface (SPI)	40
3.14 Universal synchronous asynchronous receiver transmitter (USART)	40

3.15	Inter-IC sound (I2S)	40
3.16	HDMI CEC	41
3.17	Universal serial bus full-speed interface (USBFS).....	41
3.18	Touch sensing interface (TSI)	41
3.19	Comparators (CMP).....	42
3.20	Debug mode	42
3.21	Package and operation temperature.....	42
4	Electrical characteristics.....	43
4.1	Absolute maximum ratings.....	43
4.2	Operating conditions characteristics.....	43
4.3	Power consumption	45
4.4	EMC characteristics	52
4.5	Power supply supervisor characteristics	52
4.6	Electrical sensitivity	53
4.7	External clock characteristics	54
4.8	Internal clock characteristics	55
4.9	PLL characteristics.....	57
4.10	Memory characteristics	58
4.11	NRST pin characteristics	58
4.12	GPIO characteristics	59
4.13	ADC characteristics	61
4.14	Temperature sensor characteristics.....	63
4.15	Comparators characteristics.....	63
4.16	DAC characteristics	64
4.17	I2C characteristics	65
4.18	SPI characteristics	65
4.19	I2S characteristics.....	66
4.20	USART characteristics.....	67
4.21	USBFS characteristics	67
4.22	TIMER characteristics.....	68
4.23	WDGT characteristics	68
4.24	Parameter conditions.....	69



5	Package information.....	70
5.1	LQFP48 package outline dimensions.....	70
5.1.	QFN32 package outline dimensions	72
5.2.	QFN28 package outline dimensions	73
6	Ordering information	74
7	Revision history	75

List of Figures

Figure 2-1. GD32F350xx block diagram	10
Figure 2-2. GD32F350Rx LQFP64 pinouts	11
Figure 2-3. GD32F350Cx LQFP48 pinouts	11
Figure 2-4. GD32F350Kx QFN32 pinouts	12
Figure 2-5. GD32F350Gx QFN28 pinouts	12
Figure 2-6. GD32F350xx clock tree	15
Figure 4-1. Recommended power supply decoupling capacitors ⁽¹⁾ ⁽²⁾	43
Figure 4-2. Typical supply current consumption in Run mode	50
Figure 4-3. Typical supply current consumption in Sleep mode.....	50
Figure 4-4. Recommended external NRST pin circuit.....	59
Figure 4-5. I/O port AC characteristics definition.....	61
Figure 4-6. USB FS timings: definition of data signal rise and fall time	67
Figure 5-1. LQFP48 package outline	70
Figure 5-2 QFN32 package outline.....	72
Figure 5-3 QFN28 package outline.....	73

List of Tables

Table 2-1. GD32F350xx devices features and peripheral list	8
Table 2-2. GD32F350xx memory map	13
Table 2-3. GD32F350Rx LQFP64 pin definitions.....	17
Table 2-4. GD32F350Cx LQFP48 pin definitions.....	21
Table 2-5. GD32F350Kx QFN32 pin definitions.....	24
Table 2-6. GD32F350Gx QFN28 pin definitions	26
Table 2-7. Port A alternate functions summary	30
Table 2-8. Port B alternate functions summary	31
Table 2-9. Port C alternate functions summary	32
Table 2-10. Port D alternate functions summary	32
Table 2-11. Port F alternate functions summary	33
Table 4-1. Absolute maximum ratings ^{(1) (4)}	43
Table 4-2. DC operating conditions	43
Table 4-3. Clock frequency ⁽¹⁾	44
Table 4-4. Operating conditions at Power up/ Power down ⁽¹⁾	44
Table 4-5. Start-up timings of Operating conditions ^{(1) (2) (3)}	44
Table 4-6. Power saving mode wakeup timings characteristics ^{(1) (2)}	44
Table 4-7. Power consumption characteristics ^{(1) (2) (3) (4) (5)}	45
Table 4-8. Peripheral current consumption characteristics ⁽¹⁾	50
Table 4-9. EMS characteristics.....	52
Table 4-10. Power supply supervisor characteristics.....	53
Table 4-11. ESD characteristics ⁽¹⁾	54
Table 4-12. Static latch-up characteristics ⁽¹⁾	54
Table 4-13. High speed external clock (HXTAL) generated from a crystal/ceramic characteristics .	54
Table 4-14. High speed external user clock characteristics (HXTAL in bypass mode).....	54
Table 4-15. Low speed external clock (LXTAL) generated from a crystal/ceramic characteristics ..	55
Table 4-16. Low speed external user clock characteristics (LXTAL in bypass mode).....	55
Table 4-17. High speed internal clock (IRC8M) characteristics	55
Table 4-18. Low speed internal clock (IRC40K) characteristics	56
Table 4-19. High speed internal clock (IRC28M) characteristics	56
Table 4-20. High speed internal clock (IRC48M) characteristics	57
Table 4-21. PLL characteristics	57
Table 4-22. Flash memory characteristics	58
Table 4-23. NRST pin characteristics.....	58
Table 4-24. I/O port DC characteristics.....	60
Table 4-25. I/O port AC characteristics ^{(1) (2)}	60
Table 4-26. ADC characteristics.....	61
Table 4-27. ADC R _{AIN} max for f _{ADC} = 40 MHz ⁽¹⁾	62
Table 4-28. ADC dynamic accuracy at f _{ADC} = 28 MHz ⁽¹⁾	62
Table 4-29. ADC dynamic accuracy at f _{ADC} = 30 MHz ⁽¹⁾	62



Table 4-30. ADC dynamic accuracy at $f_{ADC} = 36 \text{ MHz}^{(1)}$	62
Table 4-31. ADC static accuracy at $f_{ADC} = 14 \text{ MHz}^{(1)}$	62
Table 4-32. Temperature sensor characteristics ⁽¹⁾	63
Table 4-33. CMP characteristics	63
Table 4-34. DAC characteristics	64
Table 4-35. I2C characteristics ^{(1) (2) (3)}	65
Table 4-36. Standard SPI characteristics ⁽¹⁾	65
Table 4-37. I2S characteristics ⁽¹⁾	66
Table 4-38. USART characteristics ⁽¹⁾	67
Table 4-39. USB FS start up time	67
Table 4-40. USBFS DC electrical characteristics	67
Table 4-41. USB FS electrical characteristics ⁽¹⁾	67
Table 4-42. TIMER characteristics ⁽¹⁾	68
Table 4-43. FWDGT min/max timeout period at 40 kHz (IRC40K) ⁽¹⁾	68
Table 4-44. WWDGT min-max timeout value at 108 MHz (f_{PCLK1}) ⁽¹⁾	68
Table 5-1. LQFP48 package dimensions	70
Table 5-2. QFN32 package dimensions	72
Table 5-3. QFN28 package dimensions	73
Table 6-1. Part ordering code for GD32F350xx devices	74
Table 7-1. Revision history	75

1 General description

The GD32F350xx device belongs to the value line of GD32 MCU family. It is a new 32-bit general-purpose microcontroller based on the ARM® Cortex®-M4 RISC core with best cost-performance ratio in terms of enhanced processing capacity, reduced power consumption and peripheral set. The Cortex®-M4 core features implement a full set of DSP instructions to address digital signal control markets that demand an efficient, easy-to-use blend of control and signal processing capabilities. It also provides a powerful trace technology for enhanced application security and advanced debug support.

The GD32F350xx device incorporates the ARM® Cortex®-M4 32-bit processor core operating at 108 MHz frequency with Flash accesses zero wait states to obtain maximum efficiency. It provides up to 128 KB on-chip Flash memory and up to 16 KB SRAM memory. An extensive range of enhanced I/Os and peripherals connected to two APB buses. The devices offer one 12-bit ADC, one 12-bit DAC and two comparators, up to five general 16-bit timers, a general 32-bit timer, a basic timer, a PWM advanced timer, as well as standard and advanced communication interfaces: up to two SPIs, two I2Cs, two USARTs, an I2S, a HDMI-CEC, a TSI and an USBFS.

The device operates from a 2.6 to 3.6 V power supply and available in –40 to +85 °C temperature range. Several power saving modes provide the flexibility for maximum optimization between wakeup latency and power consumption, an especially important consideration in low power applications.

The above features make the GD32F350xx devices suitable for a wide range of applications, especially in areas such as industrial control, motor drives, user interface, power monitor and alarm systems, consumer and handheld equipment, gaming and GPS, E-bike and so on.



2 Device overview

2.1 Device information

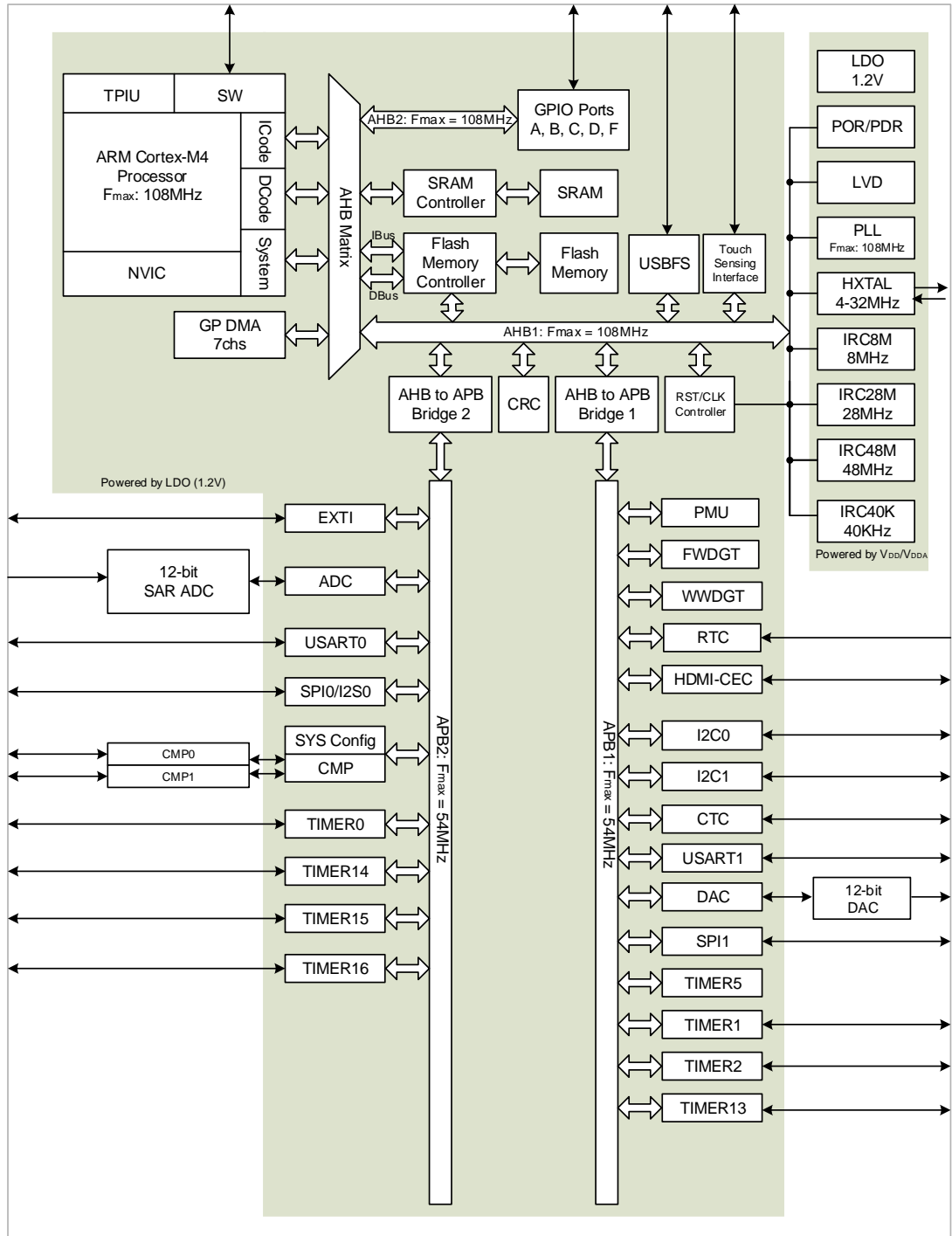
Table 2-1. GD32F350xx devices features and peripheral list

Part Number		GD32F350xx														
		G4	G6	G8	K4	K6	K8	C4	C6	C8	CB	R4	R6	R8	RB	
Flash	Code area (KB)	16	32	64	16	32	64	16	32	64	64	16	32	64	64	
	Data area (KB)	0	0	0	0	0	0	0	0	0	64	0	0	0	64	
	Total (KB)	16	32	64	16	32	64	16	32	64	128	16	32	64	128	
SRAM (KB)		4	6	8	4	6	8	4	6	8	16	4	8	16	16	
Timers	General timer (32-bit)	1 <small>(1)</small>	1 <small>(1)</small>	1 <small>(1)</small>	1 <small>(1)</small>	1 <small>(1)</small>	1 <small>(1)</small>	1 <small>(1)</small>	1 <small>(1)</small>	1 <small>(1)</small>	1 <small>(1)</small>	1 <small>(1)</small>	1 <small>(1)</small>	1 <small>(1)</small>	1 <small>(1)</small>	
	General timer (16-bit)	5 <small>(2,13-16)</small>	5 <small>(2,13-16)</small>	5 <small>(2,13-16)</small>	5 <small>(2,13-16)</small>	5 <small>(2,13-16)</small>	5 <small>(2,13-16)</small>	5 <small>(2,13-16)</small>	5 <small>(2,13-16)</small>	5 <small>(2,13-16)</small>	5 <small>(2,13-16)</small>	5 <small>(2,13-16)</small>	5 <small>(2,13-16)</small>	5 <small>(2,13-16)</small>	5 <small>(2,13-16)</small>	5 <small>(2,13-16)</small>
	Advanced timer (16-bit)	1 <small>(0)</small>	1 <small>(0)</small>	1 <small>(0)</small>	1 <small>(0)</small>	1 <small>(0)</small>	1 <small>(0)</small>	1 <small>(0)</small>	1 <small>(0)</small>	1 <small>(0)</small>	1 <small>(0)</small>	1 <small>(0)</small>	1 <small>(0)</small>	1 <small>(0)</small>	1 <small>(0)</small>	1 <small>(0)</small>
	Basic timer (16-bit)	1 <small>(5)</small>	1 <small>(5)</small>	1 <small>(5)</small>	1 <small>(5)</small>	1 <small>(5)</small>	1 <small>(5)</small>	1 <small>(5)</small>	1 <small>(5)</small>	1 <small>(5)</small>	1 <small>(5)</small>	1 <small>(5)</small>	1 <small>(5)</small>	1 <small>(5)</small>	1 <small>(5)</small>	1 <small>(5)</small>
	SysTick	1	1	1	1	1	1	1	1	1	1	1	1	1	1	1
	Watchdog	2	2	2	2	2	2	2	2	2	2	2	2	2	2	2
	RTC	1	1	1	1	1	1	1	1	1	1	1	1	1	1	1
Connectivity	USART	1 <small>(0)</small>	2 <small>(0-1)</small>	2 <small>(0-1)</small>	1 <small>(0)</small>	2 <small>(0-1)</small>	2 <small>(0-1)</small>	1 <small>(0)</small>	2 <small>(0-1)</small>	2 <small>(0-1)</small>	2 <small>(0-1)</small>	1 <small>(0)</small>	2 <small>(0-1)</small>	2 <small>(0-1)</small>	2 <small>(0-1)</small>	
	I2C	1 <small>(0)</small>	1 <small>(0)</small>	2 <small>(0-1)</small>	1 <small>(0)</small>	1 <small>(0)</small>	2 <small>(0-1)</small>	1 <small>(0)</small>	1 <small>(0)</small>	2 <small>(0-1)</small>	2 <small>(0-1)</small>	1 <small>(0)</small>	1 <small>(0)</small>	2 <small>(0-1)</small>	2 <small>(0-1)</small>	
	SPI/I2S	1/1 <small>(0)/(0)</small>	1/1 <small>(0)/(0)</small>	2/1 <small>(0-1)/(0)</small>	1/1 <small>(0)/(0)</small>	1/1 <small>(0)/(0)</small>	2/1 <small>(0-1)/(0)</small>	1/1 <small>(0)/(0)</small>	1/1 <small>(0)/(0)</small>	2/1 <small>(0-1)/(0)</small>	2/1 <small>(0-1)/(0)</small>	1/1 <small>(0)/(0)</small>	1/1 <small>(0)/(0)</small>	2/1 <small>(0-1)/(0)</small>	2/1 <small>(0-1)/(0)</small>	
	USBFS	1	1	1	1	1	1	1	1	1	1	1	1	1	1	
	HDMI-CEC	1	1	1	1	1	1	1	1	1	1	1	1	1	1	
GPIO		24	24	24	27	27	27	39	39	39	39	55	55	55	55	
TSI (Channels)		14	14	14	14	14	14	17	17	17	17	18	18	18	18	
CMP		2	2	2	2	2	2	2	2	2	2	2	2	2	2	
EXTI		16	16	16	16	16	16	16	16	16	16	16	16	16	16	

Part Number		GD32F350xx													
		G4	G6	G8	K4	K6	K8	C4	C6	C8	CB	R4	R6	R8	RB
ADC	Units	1	1	1	1	1	1	1	1	1	1	1	1	1	1
	Channels (External)	10	10	10	10	10	10	10	10	10	10	16	16	16	16
	Channels (Internal)	3	3	3	3	3	3	3	3	3	3	3	3	3	3
DAC		1	1	1	1	1	1	1	1	1	1	1	1	1	1
Package		QFN28			QFN32			LQFP48				LQFP64			

2.2 Block diagram

Figure 2-1. GD32F350xx block diagram



2.3 Pinouts and pin assignment

Figure 2-2. GD32F350Rx LQFP64 pinouts

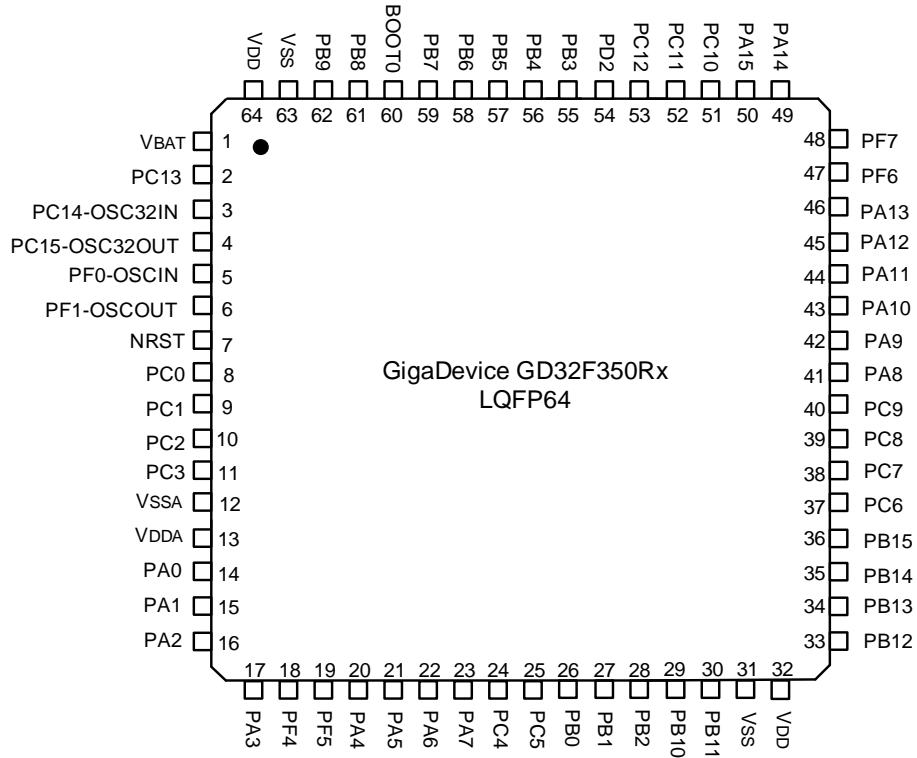


Figure 2-3. GD32F350Cx LQFP48 pinouts

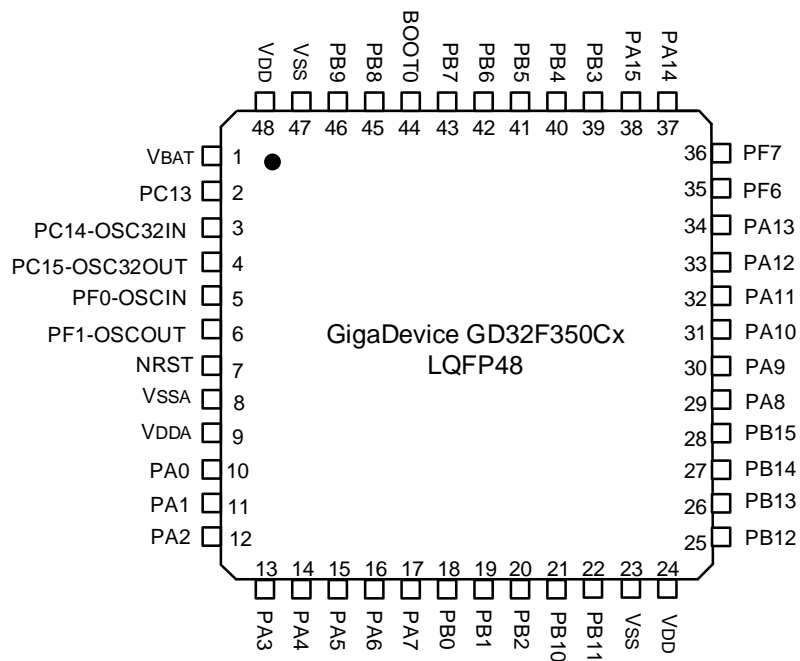


Figure 2-4. GD32F350Kx QFN32 pinouts

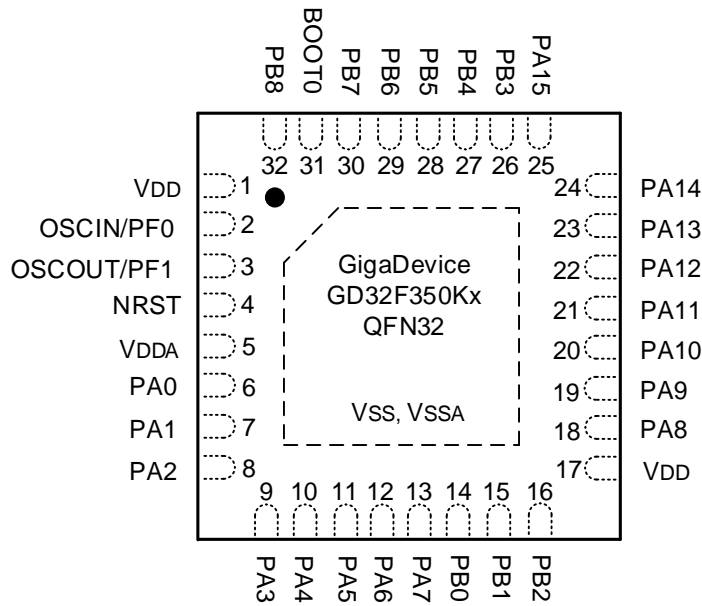
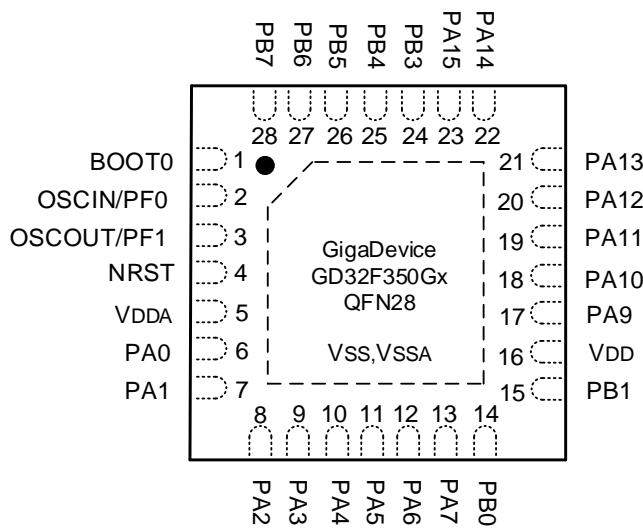


Figure 2-5. GD32F350Gx QFN28 pinouts



2.4 Memory map

Table 2-2. GD32F350xx memory map

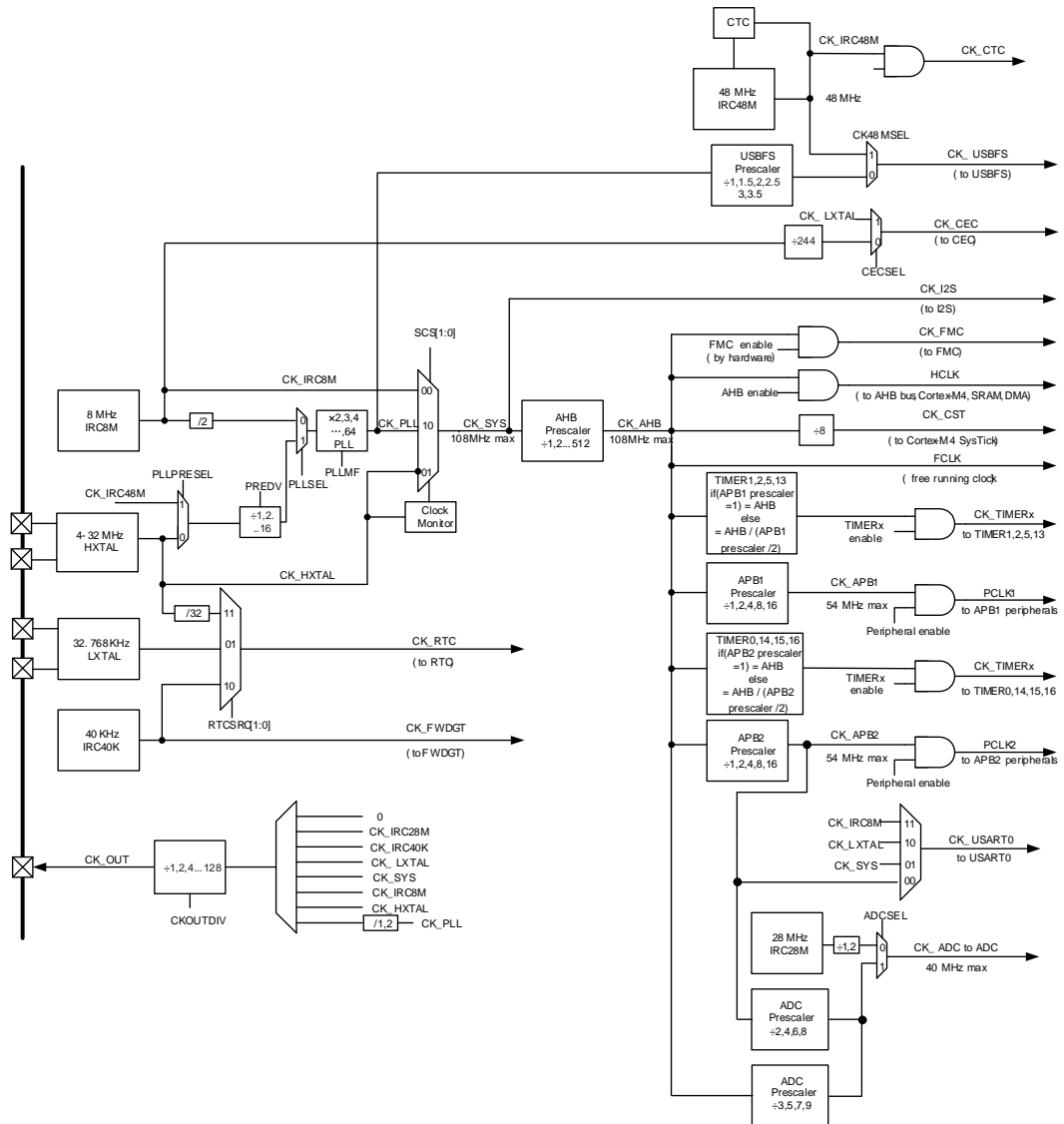
Pre-defined Regions	Bus	Address	Peripherals
		0xE000 0000 - 0xE00F FFFF	Cortex-M4 internal peripherals
External Device		0xA000 0000 - 0xDFFF FFFF	Reserved
External RAM		0x6000 0000 - 0x9FFF FFFF	Reserved
Peripherals	AHB1	0x5004 0000 - 0x5FFF FFFF	Reserved
		0x5000 0000 - 0x5003 FFFF	USBFS
	AHB2	0x4800 1800 - 0x4FFF FFFF	Reserved
		0x4800 1400 - 0x4800 17FF	GPIOF
		0x4800 1000 - 0x4800 13FF	Reserved
		0x4800 0C00 - 0x4800 0FFF	GPIOD
		0x4800 0800 - 0x4800 0BFF	GPIOC
		0x4800 0400 - 0x4800 07FF	GPIOB
		0x4800 0000 - 0x4800 03FF	GPIOA
	AHB1	0x4002 4400 - 0x47FF FFFF	Reserved
		0x4002 4000 - 0x4002 43FF	TSI
		0x4002 3400 - 0x4002 3FFF	Reserved
		0x4002 3000 - 0x4002 33FF	CRC
		0x4002 2400 - 0x4002 2FFF	Reserved
		0x4002 2000 - 0x4002 23FF	FMC
		0x4002 1400 - 0x4002 1FFF	Reserved
		0x4002 1000 - 0x4002 13FF	RCU
		0x4002 0400 - 0x4002 0FFF	Reserved
		0x4002 0000 - 0x4002 03FF	DMA
	APB2	0x4001 8000 - 0x4001 FFFF	Reserved
		0x4001 5C00 - 0x4001 7FFF	Reserved
		0x4001 4C00 - 0x4001 5BFF	Reserved
		0x4001 4800 - 0x4001 4BFF	TIMER16
		0x4001 4400 - 0x4001 47FF	TIMER15
		0x4001 4000 - 0x4001 43FF	TIMER14
		0x4001 3C00 - 0x4001 3FFF	Reserved
		0x4001 3800 - 0x4001 3BFF	USART0
		0x4001 3400 - 0x4001 37FF	Reserved
		0x4001 3000 - 0x4001 33FF	SPI0/I2S0
		0x4001 2C00 - 0x4001 2FFF	TIMER0
		0x4001 2800 - 0x4001 2BFF	Reserved
		0x4001 2400 - 0x4001 27FF	ADC
0x4001 0800 - 0x4001 23FF	Reserved		

Pre-defined Regions	Bus	Address	Peripherals
		0x4001 0400 - 0x4001 07FF	EXTI
		0x4001 0000 - 0x4001 03FF	SYSCFG + CMP
	APB1	0x4000 CC00 - 0x4000 FFFF	Reserved
		0x4000 C800 - 0x4000 CBFF	CTC
		0x4000 C400 - 0x4000 C7FF	Reserved
		0x4000 C000 - 0x4000 C3FF	Reserved
		0x4000 8000 - 0x4000 BFFF	Reserved
		0x4000 7C00 - 0x4000 7FFF	Reserved
		0x4000 7800 - 0x4000 7BFF	CEC
		0x4000 7400 - 0x4000 77FF	DAC
		0x4000 7000 - 0x4000 73FF	PMU
		0x4000 6400 - 0x4000 6FFF	Reserved
		0x4000 6000 - 0x4000 63FF	Reserved
		0x4000 5C00 - 0x4000 5FFF	Reserved
		0x4000 5800 - 0x4000 5BFF	I2C1
		0x4000 5400 - 0x4000 57FF	I2C0
		0x4000 4800 - 0x4000 53FF	Reserved
		0x4000 4400 - 0x4000 47FF	USART1
		0x4000 4000 - 0x4000 43FF	Reserved
		0x4000 3C00 - 0x4000 3FFF	Reserved
		0x4000 3800 - 0x4000 3BFF	SPI1
		0x4000 3400 - 0x4000 37FF	Reserved
		0x4000 3000 - 0x4000 33FF	FWDGT
		0x4000 2C00 - 0x4000 2FFF	WWDGT
		0x4000 2800 - 0x4000 2BFF	RTC
		0x4000 2400 - 0x4000 27FF	Reserved
		0x4000 2000 - 0x4000 23FF	TIMER13
		0x4000 1400 - 0x4000 1FFF	Reserved
		0x4000 1000 - 0x4000 13FF	TIMER5
		0x4000 0800 - 0x4000 0FFF	Reserved
		0x4000 0400 - 0x4000 07FF	TIMER2
		0x4000 0000 - 0x4000 03FF	TIMER1
SRAM		0x2000 4000 - 0x3FFF FFFF	Reserved
		0x2000 0000 - 0x2000 3FFF	SRAM
Code		0x1FFF FC00 - 0x1FFF FFFF	Reserved
		0x1FFF F800 - 0x1FFF FBFF	Option bytes
		0x1FFF EC00 - 0x1FFF F7FF	System memory
		0x0810 0000 - 0x1FFF EBFF	Reserved
		0x0800 0000 - 0x0801 FFFF	Main Flash memory
		0x0010 0000 - 0x07FF FFFF	Reserved

Pre-defined Regions	Bus	Address	Peripherals
		0x0000 0000 - 0x000F FFFF	Aliased to Flash or system memory

2.5 Clock tree

Figure 2-6. GD32F350xx clock tree



Note:

If the APB prescaler is 1, the timer clock frequencies are set to AHB frequency divide by 1. Otherwise, they are set to the AHB frequency divide by half of APB prescaler.

Legend:

- HXTAL: High speed crystal oscillator
- LXTAL: Low speed crystal oscillator
- IRC8M: Internal 8M RC oscillators

IRC40K: Internal 40K RC oscillator
IRC48M: Internal 48M RC oscillators
IRC28M: Internal 28M RC oscillators

2.6 Pin definitions

2.6.1 GD32F350Rx LQFP64 pin definitions

Table 2-3. GD32F350Rx LQFP64 pin definitions

Pin Name	Pins	Pin Type ⁽¹⁾	I/O Level ⁽²⁾	Functions description
V _{BAT}	1	P		Default: V _{BAT}
PC13-TAMPER-RTC	2	I/O		Default: PC13 Additional: RTC_TAMP0, RTC_TS, RTC_OUT, WKUP1
PC14-OSC32IN	3	I/O		Default: PC14 Additional: OSC32IN
PC15-OSC32OUT	4	I/O		Default: PC15 Additional: OSC32OUT
PF0-OSCIN	5	I/O	5VT	Default: PF0 Alternate: CTC_SYNC Additional: OSCIN
PF1-OSCOUT	6	I/O	5VT	Default: PF1 Additional: OSCOUT
NRST	7	I/O		Default: NRST
PC0	8	I/O		Default: PC0 Alternate: EVENTOUT Additional: ADC_IN10
PC1	9	I/O		Default: PC1 Alternate: EVENTOUT Additional: ADC_IN11
PC2	10	I/O		Default: PC2 Alternate: EVENTOUT Additional: ADC_IN12
PC3	11	I/O		Default: PC3 Alternate: EVENTOUT Additional: ADC_IN13
V _{SSA}	12	P		Default: V _{SSA}
V _{DDA}	13	P		Default: V _{DDA}
PA0-WKUP	14	I/O		Default: PA0 Alternate: USART0_CTS ⁽³⁾ , USART1_CTS ⁽⁴⁾ , TIMER1_CH0, TIMER1_ETI, CMP0_OUT, TSI_G0_IO0, I2C1_SCL ⁽⁵⁾ Additional: ADC_IN0, CMP0_IM6, RTC_TAMP1, WKUP0
PA1	15	I/O		Default: PA1 Alternate: USART0_RTS ⁽³⁾ , USART1_RTS ⁽⁴⁾ , TIMER1_CH1, TSI_G0_IO1, I2C1_SDA ⁽⁵⁾ , EVENTOUT Additional: ADC_IN1, CMP0_IP

Pin Name	Pins	Pin Type ⁽¹⁾	I/O Level ⁽²⁾	Functions description
PA2	16	I/O		Default: PA2 Alternate: USART0_TX ⁽³⁾ , USART1_TX ⁽⁴⁾ , TIMER1_CH2, TIMER14_CH0 , CMP1_OUT, TSI_G0_IO2 Additional: ADC_IN2, CMP1_IM6
PA3	17	I/O		Default: PA3 Alternate: USART0_RX ⁽³⁾ , USART1_RX ⁽⁴⁾ , TIMER1_CH3, TIMER14_CH1, TSI_G0_IO3 Additional: ADC_IN3, CMP1_IP
PF4	18	I/O	5VT	Default: PF4 Alternate: EVENTOUT
PF5	19	I/O	5VT	Default: PF5 Alternate: EVENTOUT
PA4	20	I/O		Default: PA4 Alternate: SPI0_NSS, I2S0_WS, USART0_CK ⁽³⁾ , USART1_CK ⁽⁴⁾ , TIMER13_CH0, TSI_G1_IO0, SPI1_NSS ⁽⁵⁾ Additional: ADC_IN4, CMP0_IM4, CMP1_IM4, DAC0_OUT
PA5	21	I/O		Default: PA5 Alternate: SPI0_SCK, I2S0_CK, CEC, TIMER1_CH0, TIMER1_ETI, TSI_G1_IO1 Additional: ADC_IN5, CMP0_IM5, CMP1_IM5
PA6	22	I/O		Default: PA6 Alternate: SPI0_MISO, I2S0_MCK, TIMER2_CH0, TIMER0_BKIN, TIMER15_CH0, CMP0_OUT, TSI_G1_IO2, EVENTOUT Additional: ADC_IN6
PA7	23	I/O		Default: PA7 Alternate: SPI0_MOSI, I2S0_SD, TIMER2_CH1, TIMER13_CH0, TIMER0_CH0_ON, TIMER16_CH0, CMP1_OUT, TSI_G1_IO3, EVENTOUT Additional: ADC_IN7
PC4	24	I/O		Default: PC4 Alternate: EVENTOUT Additional: ADC_IN14
PC5	25	I/O		Default: PC5 Alternate: TSI_G2_IO0 Additional: ADC_IN15, WKUP4
PB0	26	I/O		Default: PB0 Alternate: TIMER2_CH2, TIMER0_CH1_ON, TSI_G2_IO1, USART1_RX ⁽⁴⁾ , EVENTOUT Additional: ADC_IN8
PB1	27	I/O		Default: PB1 Alternate: TIMER2_CH3, TIMER13_CH0, TIMER0_CH2_ON, TSI_G2_IO2, SPI1_SCK ⁽⁵⁾

Pin Name	Pins	Pin Type ⁽¹⁾	I/O Level ⁽²⁾	Functions description
				Additional: ADC_IN9
PB2	28	I/O	5VT	Default: PB2 Alternate: TSI_G2_IO3
PB10	29	I/O	5VT	Default: PB10 Alternate: I2C0_SCL ⁽³⁾ , I2C1_SCL ⁽⁵⁾ , CEC, TIMER1_CH2, TSITG, SPI1_IO2 ⁽⁵⁾
PB11	30	I/O	5VT	Default: PB11 Alternate: I2C0_SDA ⁽³⁾ , I2C1_SDA ⁽⁵⁾ , TIMER1_CH3, TSI_G5_IO0, EVENTOUT, SPI1_IO3 ⁽⁵⁾
V _{SS}	31	P		Default: V _{SS}
V _{DD}	32	P		Default: V _{DD}
PB12	33	I/O	5VT	Default: PB12 Alternate: SPI0_NSS ⁽³⁾ , SPI1_NSS ⁽⁵⁾ , TIMER0_BKIN, TSI_G5_IO1, I2C1_SMBA ⁽⁵⁾ , EVENTOUT
PB13	34	I/O	5VT	Default: PB13 Alternate: SPI0_SCK ⁽³⁾ , SPI1_SCK ⁽⁵⁾ , TIMER0_CH0_ON, TSI_G5_IO2
PB14	35	I/O	5VT	Default: PB14 Alternate: SPI0_MISO ⁽³⁾ , SPI1_MISO ⁽⁵⁾ , TIMER0_CH1_ON, TIMER14_CH0, TSI_G5_IO3
PB15	36	I/O	5VT	Default: PB15 Alternate: SPI0_MOSI ⁽³⁾ , SPI1_MOSI ⁽⁵⁾ , TIMER0_CH2_ON, TIMER14_CH0_ON, TIMER14_CH1 Additional: RTC_REFIN, WKUP6
PC6	37	I/O	5VT	Default: PC6 Alternate: TIMER2_CH0, I2S0_MCK
PC7	38	I/O	5VT	Default: PC7 Alternate: TIMER2_CH1
PC8	39	I/O	5VT	Default: PC8 Alternate: TIMER2_CH2
PC9	40	I/O	5VT	Default: PC9 Alternate: TIMER2_CH3
PA8	41	I/O	5VT	Default: PA8 Alternate: USART0_CK, TIMER0_CH0, CK_OUT, USART1_TX ⁽⁴⁾ , EVENTOUT, USBFS_SOF, CTC_SYNC
PA9	42	I/O	5VT	Default: PA9 Alternate: USART0_TX, TIMER0_CH1, TIMER14_BKIN, TSI_G3_IO0, I2C0_SCL, USBFS_VBUS
PA10	43	I/O	5VT	Default: PA10 Alternate: USART0_RX, TIMER0_CH2, TIMER16_BKIN, TSI_G3_IO1, I2C0_SDA, USBFS_ID
PA11	44	I/O	5VT	Default: PA11 Alternate: USART0_CTS, TIMER0_CH3, CMP0_OUT, TSI_G3_IO2, EVENTOUT, SPI1_IO2 ⁽⁵⁾ Additional: USBFS_DM

Pin Name	Pins	Pin Type ⁽¹⁾	I/O Level ⁽²⁾	Functions description
PA12	45	I/O	5VT	Default: PA12 Alternate: USART0_RTS, TIMER0_ETI, CMP1_OUT, TSI_G3_IO3, EVENTOUT, SPI1_IO3 ⁽⁵⁾ Additional: USBFS_DP
PA13	46	I/O	5VT	Default: PA13 Alternate: IFRP_OUT, SWDIO, SPI1_MISO ⁽⁵⁾
PF6	47	I/O	5VT	Default: PF6 Alternate: I2C0_SCL ⁽³⁾ , I2C1_SCL ⁽⁵⁾
PF7	48	I/O	5VT	Default: PF7 Alternate: I2C0_SDA ⁽³⁾ , I2C1_SDA ⁽⁵⁾
PA14	49	I/O	5VT	Default: PA14 Alternate: USART0_TX ⁽³⁾ , USART1_TX ⁽⁴⁾ , SWCLK, SPI1_MOSI ⁽⁵⁾
PA15	50	I/O	5VT	Default: PA15 Alternate: SPI0_NSS, I2S0_WS, USART0_RX ⁽³⁾ , USART1_RX ⁽⁴⁾ , TIMER1_CH0, TIMER1_ETI, SPI1_NSS ⁽⁵⁾ , EVENTOUT
PC10	51	I/O	5VT	Default: PC10
PC11	52	I/O	5VT	Default: PC11
PC12	53	I/O	5VT	Default: PC12
PD2	54	I/O	5VT	Default: PD2 Alternate: TIMER2_ETI
PB3	55	I/O	5VT	Default: PB3 Alternate: SPI0_SCK, I2S0_CK, TIMER1_CH1, TSI_G4_IO0, EVENTOUT
PB4	56	I/O	5VT	Default: PB4 Alternate: SPI0_MISO, I2S0_MCK, TIMER2_CH0, TSI_G4_IO1, EVENTOUT
PB5	57	I/O	5VT	Default: PB5 Alternate: SPI0_MOSI, I2S0_SD, I2C0_SMBA, TIMER15_BKIN, TIMER2_CH1 Additional: WKUP5
PB6	58	I/O	5VT	Default: PB6 Alternate: I2C0_SCL, USART0_TX, TIMER15_CH0_ON, TSI_G4_IO2
PB7	59	I/O	5VT	Default: PB7 Alternate: I2C0_SDA, USART0_RX, TIMER16_CH0_ON, TSI_G4_IO3
BOOT0	60	I		Default: BOOT0
PB8	61	I/O	5VT	Default: PB8 Alternate: I2C0_SCL, CEC, TIMER15_CH0, TSITG
PB9	62	I/O	5VT	Default: PB9 Alternate: I2C0_SDA, IFRP_OUT, TIMER16_CH0, EVENTOUT, I2S0_MCK
Vss	63	P		Default: Vss

Pin Name	Pins	Pin Type ⁽¹⁾	I/O Level ⁽²⁾	Functions description
V _{DD}	64	P		Default: V _{DD}

Notes:

- (1) Type: I = input, O = output, P = power.
- (2) I/O Level: 5VT = 5 V tolerant.
- (3) Functions are available on GD32F350R4 devices only.
- (4) Functions are available on GD32F350RB/8/6 devices.
- (5) Functions are available on GD32F350RB/8 devices.

2.6.2 GD32F350Cx LQFP48 pin definitions

Table 2-4. GD32F350Cx LQFP48 pin definitions

Pin Name	Pins	Pin Type ⁽¹⁾	I/O Level ⁽²⁾	Functions description
V _{BAT}	1	P		Default: V _{BAT}
PC13-TAMPER-RTC	2	I/O		Default: PC13 Additional: RTC_TAMP0, RTC_TS, RTC_OUT, WKUP1
PC14-OSC32IN	3	I/O		Default: PC14 Additional: OSC32IN
PC15-OSC32OUT	4	I/O		Default: PC15 Additional: OSC32OUT
PF0-OSCIN	5	I/O	5VT	Default: PF0 Alternate: CTC_SYNC Additional: OSCIN
PF1-OSCOU	6	I/O	5VT	Default: PF1 Additional: OSCOUT
NRST	7	I/O		Default: NRST
V _{SSA}	8	P		Default: V _{SSA}
V _{DDA}	9	P		Default: V _{DDA}
PA0-WKUP	10	I/O		Default: PA0 Alternate: USART0_CTS ⁽³⁾ , USART1_CTS ⁽⁴⁾ , TIMER1_CH0, TIMER1_ETI, CMP0_OUT, TSI_G0_IO0, I2C1_SCL ⁽⁵⁾ Additional: ADC_IN0, CMP0_IM6, RTC_TAMP1, WKUP0
PA1	11	I/O		Default: PA1 Alternate: USART0_RTS ⁽³⁾ , USART1_RTS ⁽⁴⁾ , TIMER1_CH1, TSI_G0_IO1, I2C1_SDA ⁽⁵⁾ , EVENTOUT Additional: ADC_IN1, CMP0_IP
PA2	12	I/O		Default: PA2 Alternate: USART0_TX ⁽³⁾ , USART1_TX ⁽⁴⁾ , TIMER1_CH2, TIMER14_CH0, CMP1_OUT, TSI_G0_IO2 Additional: ADC_IN2, CMP1_IM6
PA3	13	I/O		Default: PA3

Pin Name	Pins	Pin Type ⁽¹⁾	I/O Level ⁽²⁾	Functions description
				Alternate: USART0_RX ⁽³⁾ , USART1_RX ⁽⁴⁾ , TIMER1_CH3, TIMER14_CH1, TSI_G0_IO3 Additional: ADC_IN3, CMP1_IP
PA4	14	I/O		Default: PA4 Alternate: SPI0_NSS, I2S0_WS, USART0_CK ⁽³⁾ , USART1_CK ⁽⁴⁾ , TIMER13_CH0, TSI_G1_IO0, SPI1_NSS ⁽⁵⁾ Additional: ADC_IN4, CMP0_IM4, CMP1_IM4, DAC0_OUT
PA5	15	I/O		Default: PA5 Alternate: SPI0_SCK, I2S0_CK, CEC, TIMER1_CH0, TIMER1_ETI, TSI_G1_IO1 Additional: ADC_IN5, CMP0_IM5, CMP1_IM5
PA6	16	I/O		Default: PA6 Alternate: SPI0_MISO, I2S0_MCK, TIMER2_CH0, TIMER0_BKIN, TIMER15_CH0, CMP0_OUT, TSI_G1_IO2, EVENTOUT Additional: ADC_IN6
PA7	17	I/O		Default: PA7 Alternate: SPI0_MOSI, I2S0_SD, TIMER2_CH1, TIMER13_CH0, TIMER0_CH0_ON, TIMER16_CH0, CMP1_OUT, TSI_G1_IO3, EVENTOUT Additional: ADC_IN7
PB0	18	I/O		Default: PB0 Alternate: TIMER2_CH2, TIMER0_CH1_ON, TSI_G2_IO1, USART1_RX ⁽⁴⁾ , EVENTOUT Additional: ADC_IN8
PB1	19	I/O		Default: PB1 Alternate: TIMER2_CH3, TIMER13_CH0, TIMER0_CH2_ON, TSI_G2_IO2, SPI1_SCK ⁽⁵⁾ Additional: ADC_IN9
PB2	20	I/O	5VT	Default: PB2 Alternate: TSI_G2_IO3
PB10	21	I/O	5VT	Default: PB10 Alternate: I2C0_SCL ⁽³⁾ , I2C1_SCL ⁽⁵⁾ , CEC, TIMER1_CH2, TSITG, SPI1_IO2 ⁽⁵⁾
PB11	22	I/O	5VT	Default: PB11 Alternate: I2C0_SDA ⁽³⁾ , I2C1_SDA ⁽⁵⁾ , TIMER1_CH3, TSI_G5_IO0, EVENTOUT, SPI1_IO3 ⁽⁵⁾
V _{SS}	23	P		Default: V _{SS}
V _{DD}	24	P		Default: V _{DD}
PB12	25	I/O	5VT	Default: PB12 Alternate: SPI0_NSS ⁽³⁾ , SPI1_NSS ⁽⁵⁾ , TIMER0_BKIN, TSI_G5_IO1, I2C1_SMBA ⁽⁵⁾ , EVENTOUT
PB13	26	I/O	5VT	Default: PB13

Pin Name	Pins	Pin Type ⁽¹⁾	I/O Level ⁽²⁾	Functions description
				Alternate: SPI0_SCK ⁽³⁾ , SPI1_SCK ⁽⁵⁾ , TIMER0_CH0_ON, TSI_G5_IO2
PB14	27	I/O	5VT	Default: PB14 Alternate: SPI0_MISO ⁽³⁾ , SPI1_MISO ⁽⁵⁾ , TIMER0_CH1_ON, TIMER14_CH0, TSI_G5_IO3
PB15	28	I/O	5VT	Default: PB15 Alternate: SPI0_MOSI ⁽³⁾ , SPI1_MOSI ⁽⁵⁾ , TIMER0_CH2_ON, TIMER14_CH0_ON, TIMER14_CH1 Additional: RTC_REFIN, WKUP6
PA8	29	I/O	5VT	Default: PA8 Alternate: USART0_CK, TIMER0_CH0, CK_OUT, USART1_TX ⁽⁴⁾ , EVENTOUT, USBFS_SOF, CTC_SYNC
PA9	30	I/O	5VT	Default: PA9 Alternate: USART0_TX, TIMER0_CH1, TIMER14_BKIN, TSI_G3_IO0, I2C0_SCL, USBFS_VBUS
PA10	31	I/O	5VT	Default: PA10 Alternate: USART0_RX, TIMER0_CH2, TIMER16_BKIN, TSI_G3_IO1, I2C0_SDA, USBFS_ID
PA11	32	I/O	5VT	Default: PA11 Alternate: USART0_CTS, TIMER0_CH3, CMP0_OUT, TSI_G3_IO2, EVENTOUT, SPI1_IO2 ⁽⁵⁾ Additional: USBFS_DM
PA12	33	I/O	5VT	Default: PA12 Alternate: USART0_RTS, TIMER0_ETI, CMP1_OUT, TSI_G3_IO3, EVENTOUT, SPI1_IO3 ⁽⁵⁾ Additional: USBFS_DP
PA13	34	I/O	5VT	Default: PA13 Alternate: IFRP_OUT, SWDIO, SPI1_MISO ⁽⁵⁾
PF6	35	I/O	5VT	Default: PF6 Alternate: I2C0_SCL ⁽³⁾ , I2C1_SCL ⁽⁵⁾
PF7	36	I/O	5VT	Default: PF7 Alternate: I2C0_SDA ⁽³⁾ , I2C1_SDA ⁽⁵⁾
PA14	37	I/O	5VT	Default: PA14 Alternate: USART0_TX ⁽³⁾ , USART1_TX ⁽⁴⁾ , SWCLK, SPI1_MOSI ⁽⁵⁾
PA15	38	I/O	5VT	Default: PA15 Alternate: SPI0_NSS, I2S0_WS, USART0_RX ⁽³⁾ , USART1_RX ⁽⁴⁾ , TIMER1_CH0, TIMER1_ETI, SPI1_NSS ⁽⁵⁾ , EVENTOUT
PB5	41	I/O	5VT	Default: PB5 Alternate: SPI0_MOSI, I2S0_SD, I2C0_SMBA, TIMER15_BKIN, TIMER2_CH1 Additional: WKUP5
PB6	42	I/O	5VT	Default: PB6 Alternate: I2C0_SCL, USART0_TX, TIMER15_CH0_ON,

Pin Name	Pins	Pin Type ⁽¹⁾	I/O Level ⁽²⁾	Functions description
				TSI_G4_IO2
PB7	43	I/O	5VT	Default: PB7 Alternate: I2C0_SDA, USART0_RX, TIMER16_CH0_ON, TSI_G4_IO3
BOOT0	44	I		Default: BOOT0
PB8	45	I/O	5VT	Default: PB8 Alternate: I2C0_SCL, CEC, TIMER15_CH0, TSITG
PB9	46	I/O	5VT	Default: PB9 Alternate: I2C0_SDA, IFRP_OUT, TIMER16_CH0, EVENTOUT, I2S0_MCK
V _{SS}	47	P		Default: V _{SS}
V _{DD}	48	P		Default: V _{DD}

Notes:

- (1) Type: I = input, O = output, P = power.
- (2) I/O Level: 5VT = 5 V tolerant.
- (3) Functions are available on GD32F350C4 devices only.
- (4) Functions are available on GD32F350CB/8/6 devices.
- (5) Functions are available on GD32F350CB/8 devices.

2.6.3 GD32F350Kx QFN32 pin definitions

Table 2-5. GD32F350Kx QFN32 pin definitions

Pin Name	Pins	Pin Type ⁽¹⁾	I/O Level ⁽²⁾	Functions description
PF0-OSCIN	2	I/O	5VT	Default: PF0 Alternate: CTC_SYNC Additional: OSCIN
PF1-OSCOU	3	I/O	5VT	Default: PF1 Additional: OSCOUT
NRST	4	I/O		Default: NRST
V _{DDA}	5	P		Default: V _{DDA}
PA0-WKUP	6	I/O		Default: PA0 Alternate: USART0_CTS ⁽³⁾ , USART1_CTS ⁽⁴⁾ , TIMER1_CH0, TIMER1_ETI, CMP0_OUT, TSI_G0_IO0, I2C1_SCL ⁽⁵⁾ Additional: ADC_IN0, CMP0_IM6, RTC_TAMP1, WKUP0
PA1	7	I/O		Default: PA1 Alternate: USART0_RTS ⁽³⁾ , USART1_RTS ⁽⁴⁾ , TIMER1_CH1, TSI_G0_IO1, I2C1_SDA ⁽⁵⁾ , EVENTOUT Additional: ADC_IN1, CMP0_IP
PA2	8	I/O		Default: PA2 Alternate: USART0_TX ⁽³⁾ , USART1_TX ⁽⁴⁾ , TIMER1_CH2, TIMER14_CH0, CMP1_OUT, TSI_G0_IO2 Additional: ADC_IN2, CMP1_IM6

Pin Name	Pins	Pin Type ⁽¹⁾	I/O Level ⁽²⁾	Functions description
PA3	9	I/O		Default: PA3 Alternate: USART0_RX ⁽³⁾ , USART1_RX ⁽⁴⁾ , TIMER1_CH3, TIMER14_CH1, TSI_G0_IO3 Additional: ADC_IN3, CMP1_IP
PA4	10	I/O		Default: PA4 Alternate: SPI0_NSS, I2S0_WS, USART0_CK ⁽³⁾ , USART1_CK ⁽⁴⁾ , TIMER13_CH0, TSI_G1_IO0, SPI1_NSS ⁽⁵⁾ Additional: ADC_IN4, CMP0_IM4, CMP1_IM4, DAC0_OUT
PA5	11	I/O		Default: PA5 Alternate: SPI0_SCK, I2S0_CK, CEC, TIMER1_CH0, TIMER1_ETI, TSI_G1_IO1 Additional: ADC_IN5, CMP0_IM5, CMP1_IM5
PA6	12	I/O		Default: PA6 Alternate: SPI0_MISO, I2S0_MCK, TIMER2_CH0, TIMER0_BKIN, TIMER15_CH0, CMP0_OUT, TSI_G1_IO2, EVENTOUT Additional: ADC_IN6
PA7	13	I/O		Default: PA7 Alternate: SPI0_MOSI, I2S0_SD, TIMER2_CH1, TIMER13_CH0, TIMER0_CH0_ON, TIMER16_CH0, CMP1_OUT, TSI_G1_IO3, EVENTOUT Additional: ADC_IN7
PB0	14	I/O		Default: PB0 Alternate: TIMER2_CH2, TIMER0_CH1_ON, TSI_G2_IO1, USART1_RX ⁽⁴⁾ , EVENTOUT Additional: ADC_IN8
PB1	15	I/O		Default: PB1 Alternate: TIMER2_CH3, TIMER13_CH0, TIMER0_CH2_ON, TSI_G2_IO2, SPI1_SCK ⁽⁵⁾ Additional: ADC_IN9
PB2	16	I/O	5VT	Default: PB2 Alternate: TSI_G2_IO3
V _{DD}	17	P		Default: V _{DD}
PA8	18	I/O	5VT	Default: PA8 Alternate: USART0_CK, TIMER0_CH0, CK_OUT, USART1_TX ⁽⁴⁾ , EVENTOUT, USBFS_SOF, CTC_SYNC
PA9	19	I/O	5VT	Default: PA9 Alternate: USART0_TX, TIMER0_CH1, TIMER14_BKIN, TSI_G3_IO0, I2C0_SCL, USBFS_VBUS
PA10	20	I/O	5VT	Default: PA10 Alternate: USART0_RX, TIMER0_CH2, TIMER16_BKIN, TSI_G3_IO1, I2C0_SDA, USBFS_ID
PA11	21	I/O	5VT	Default: PA11 Alternate: USART0_CTS, TIMER0_CH3, CMP0_OUT,

Pin Name	Pins	Pin Type ⁽¹⁾	I/O Level ⁽²⁾	Functions description
				TSI_G3_IO2, EVENTOUT, SPI1_IO2 ⁽⁵⁾ Additional: USBFS_DM
PA12	22	I/O	5VT	Default: PA12 Alternate: USART0_RTS, TIMER0_ETI, CMP1_OUT, TSI_G3_IO3, EVENTOUT, SPI1_IO3 ⁽⁵⁾ Additional: USBFS_DP
PA13	23	I/O	5VT	Default: PA13 Alternate: IFRP_OUT, SWDIO, SPI1_MISO ⁽⁵⁾
PA14	24	I/O	5VT	Default: PA14 Alternate: USART0_TX ⁽³⁾ , USART1_TX ⁽⁴⁾ , SWCLK, SPI1_MOSI ⁽⁵⁾
PA15	25	I/O	5VT	Default: PA15 Alternate: SPI0_NSS, I2S0_WS, USART0_RX ⁽³⁾ , USART1_RX ⁽⁴⁾ , TIMER1_CH0, TIMER1_ETI, SPI1_NSS ⁽⁵⁾ , EVENTOUT
PB3	26	I/O	5VT	Default: PB3 Alternate: SPI0_SCK, I2S0_CK, TIMER1_CH1, TSI_G4_IO0, EVENTOUT
PB4	27	I/O	5VT	Default: PB4 Alternate: SPI0_MISO, I2S0_MCK, TIMER2_CH0, TSI_G4_IO1, EVENTOUT
PB5	28	I/O	5VT	Default: PB5 Alternate: SPI0_MOSI, I2S0_SD, I2C0_SMBA, TIMER15_BKIN, TIMER2_CH1 Additional: WKUP5
PB6	29	I/O	5VT	Default: PB6 Alternate: I2C0_SCL, USART0_TX, TIMER15_CH0_ON, TSI_G4_IO2
PB7	30	I/O	5VT	Default: PB7 Alternate: I2C0_SDA, USART0_RX, TIMER16_CH0_ON, TSI_G4_IO3
BOOT0	31	I		Default: BOOT0
PB8	32	I/O	5VT	Default: PB8 Alternate: I2C0_SCL, CEC, TIMER15_CH0, TSITG
V _{DD}	1	P		Default: V _{DD}

Notes:

- (1) Type: I = input, O = output, P = power.
- (2) I/O Level: 5VT = 5 V tolerant.
- (3) Functions are available on GD32F350K4 devices only.
- (4) Functions are available on GD32F350K8/6 devices.
- (5) Functions are available on GD32F350K8 devices.

2.6.4 GD32F350Gx QFN28 pin definitions

Table 2-6. GD32F350Gx QFN28 pin definitions

Pin Name	Pins	Pin Type ⁽¹⁾	I/O Level ⁽²⁾	Functions description
PF0-OSCIN	2	I/O	5VT	Default: PF0 Alternate: CTC_SYNC Additional: OSCIN
PF1-OSCOU	3	I/O	5VT	Default: PF1 Additional: OSCOUT
NRST	4	I/O		Default: NRST
V _{DDA}	5	P		Default: V _{DDA}
PA0-WKUP	6	I/O		Default: PA0 Alternate: USART0_CTS ⁽³⁾ , USART1_CTS ⁽⁴⁾ , TIMER1_CH0, TIMER1_ETI, CMP0_OUT, TSI_G0_IO0, I2C1_SCL ⁽⁵⁾ Additional: ADC_IN0, CMP0_IM6, RTC_TAMP1, WKUP0
PA1	7	I/O		Default: PA1 Alternate: USART0_RTS ⁽³⁾ , USART1_RTS ⁽⁴⁾ , TIMER1_CH1, TSI_G0_IO1, I2C1_SDA ⁽⁵⁾ , EVENTOUT Additional: ADC_IN1, CMP0_IP
PA2	8	I/O		Default: PA2 Alternate: USART0_TX ⁽³⁾ , USART1_TX ⁽⁴⁾ , TIMER1_CH2, TIMER14_CH0, CMP1_OUT, TSI_G0_IO2 Additional: ADC_IN2, CMP1_IM6
PA3	9	I/O		Default: PA3 Alternate: USART0_RX ⁽³⁾ , USART1_RX ⁽⁴⁾ , TIMER1_CH3, TIMER14_CH1, TSI_G0_IO3 Additional: ADC_IN3, CMP1_IP
PA4	10	I/O		Default: PA4 Alternate: SPI0_NSS, I2S0_WS, USART0_CK ⁽³⁾ , USART1_CK ⁽⁴⁾ , TIMER13_CH0, TSI_G1_IO0, SPI1_NSS ⁽⁵⁾ Additional: ADC_IN4, CMP0_IM4, CMP1_IM4, DAC0_OUT
PA5	11	I/O		Default: PA5 Alternate: SPI0_SCK, I2S0_CK, CEC, TIMER1_CH0, TIMER1_ETI, TSI_G1_IO1 Additional: ADC_IN5, CMP0_IM5, CMP1_IM5
PA6	12	I/O		Default: PA6 Alternate: SPI0_MISO, I2S0_MCK, TIMER2_CH0, TIMER0_BKIN, TIMER15_CH0, CMP0_OUT, TSI_G1_IO2, EVENTOUT Additional: ADC_IN6
PA7	13	I/O		Default: PA7 Alternate: SPI0_MOSI, I2S0_SD, TIMER2_CH1, TIMER13_CH0, TIMER0_CH0_ON, TIMER16_CH0, CMP1_OUT, TSI_G1_IO3, EVENTOUT Additional: ADC_IN7
PB0	14	I/O		Default: PB0 Alternate: TIMER2_CH2, TIMER0_CH1_ON,

Pin Name	Pins	Pin Type ⁽¹⁾	I/O Level ⁽²⁾	Functions description
				TSI_G2_IO1, USART1_RX ⁽⁴⁾ , EVENTOUT Additional: ADC_IN8
PB1	15	I/O		Default: PB1 Alternate: TIMER2_CH3, TIMER13_CH0, TIMER0_CH2_ON, TSI_G2_IO2, SPI1_SCK ⁽⁵⁾ Additional: ADC_IN9
V _{DD}	16	P		Default: V _{DD}
PA9	17	I/O	5VT	Default: PA9 Alternate: USART0_TX, TIMER0_CH1, TIMER14_BKIN, TSI_G3_IO0, I2C0_SCL, USBFS_VBUS
PA10	18	I/O	5VT	Default: PA10 Alternate: USART0_RX, TIMER0_CH2, TIMER16_BKIN, TSI_G3_IO1, I2C0_SDA, USBFS_ID
PA11	19	I/O	5VT	Default: PA11 Alternate: USART0_CTS, TIMER0_CH3, CMP0_OUT, TSI_G3_IO2, EVENTOUT, SPI1_IO2 ⁽⁵⁾ Additional: USBFS_DM
PA12	20	I/O	5VT	Default: PA12 Alternate: USART0_RTS, TIMER0_ETI, CMP1_OUT, TSI_G3_IO3, EVENTOUT, SPI1_IO3 ⁽⁵⁾ Additional: USBFS_DP
PA13	21	I/O	5VT	Default: PA13 Alternate: IFRP_OUT, SWDIO, SPI1_MISO ⁽⁵⁾
PA14	22	I/O	5VT	Default: PA14 Alternate: USART0_TX ⁽³⁾ , USART1_TX ⁽⁴⁾ , SWCLK, SPI1_MOSI ⁽⁵⁾
PA15	23	I/O	5VT	Default: PA15 Alternate: SPI0_NSS, I2S0_WS, USART0_RX ⁽³⁾ , USART1_RX ⁽⁴⁾ , TIMER1_CH0, TIMER1_ETI, SPI1_NSS ⁽⁵⁾ , EVENTOUT
PB3	24	I/O	5VT	Default: PB3 Alternate: SPI0_SCK, I2S0_CK, TIMER1_CH1, TSI_G4_IO0, EVENTOUT
PB4	25	I/O	5VT	Default: PB4 Alternate: SPI0_MISO, I2S0_MCK, TIMER2_CH0, TSI_G4_IO1, EVENTOUT
PB5	26	I/O	5VT	Default: PB5 Alternate: SPI0_MOSI, I2S0_SD, I2C0_SMBA, TIMER15_BKIN, TIMER2_CH1 Additional: WKUP5
PB6	27	I/O	5VT	Default: PB6 Alternate: I2C0_SCL, USART0_TX, TIMER15_CH0_ON, TSI_G4_IO2
PB7	28	I/O	5VT	Default: PB7 Alternate: I2C0_SDA, USART0_RX, TIMER16_CH0_ON, T

Pin Name	Pins	Pin Type ⁽¹⁾	I/O Level ⁽²⁾	Functions description
				SI_G4_IO3
BOOT0	1	I		Default: BOOT0

Notes:

- (1) Type: I = input, O = output, P = power.
- (2) I/O Level: 5VT = 5 V tolerant.
- (3) Functions are available on GD32F350G4 devices only.
- (4) Functions are available on GD32F350G8/6 devices.
- (5) Functions are available on GD32F350G8 devices

2.6.5 GD32F350xx pin alternate functions

Table 2-7. Port A alternate functions summary

Pin Name	AF0	AF1	AF2	AF3	AF4	AF5	AF6	AF7
PA0		USART0_CTS ⁽¹⁾ USART1_CTS ⁽²⁾	TIMER1_CH0, TIMER1_ETI	TSI_G0 _IO0	I2C1_SCL ⁽³⁾			CMP0 _OUT
PA1	EVENTOUT	USART0_RTS ⁽¹⁾ USART1_RTS ⁽²⁾	TIMER1_CH1	TSI_G0 _IO1	I2C1_SDA ⁽³⁾			
PA2	TIMER14_ CH0	USART0_TX ⁽¹⁾ USART1_TX ⁽²⁾	TIMER1_CH2	TSI_G0 _IO2				CMP1 _OUT
PA3	TIMER14_ CH1	USART0_RX ⁽¹⁾ USART1_RX ⁽²⁾	TIMER1_CH3	TSI_G0 _IO3				
PA4	SPI0_NSS/ I2S0_WS	USART0_CK ⁽¹⁾ USART1_CK ⁽²⁾		TSI_G1 _IO0	TIMER13_ CH0		SPI1_N SS ⁽³⁾	
PA5	SPI0_SCK/ I2S0_CK	CEC	TIMER1_CH0, TIMER1_ETI	TSI_G1 _IO1				
PA6	SPI0_MISO/ I2S0_MCK	TIMER2_CH0	TIMER0_BKIN	TSI_G1 _IO2		TIMER15_ CH0	EVENT OUT	CMP0 _OUT
PA7	SPI0_MOSI/ I2S0_SD	TIMER2_CH1	TIMER0_CH0_ ON	TSI_G1 _IO3	TIMER13_ CH0	TIMER16_ CH0	EVENT OUT	CMP1 _OUT
PA8	CK_OUT	USART0_CK	TIMER0_CH0	EVENT OUT	USART1_T X ⁽²⁾	USBFS_S OF	CTC_S YNC	
PA9	TIMER14_ BKIN	USART0_TX	TIMER0_CH1	TSI_G3 _IO0	I2C0_SCL	USBFS_V BUS		
PA10	TIMER16_ BKIN	USART0_RX	TIMER0_CH2	TSI_G3 _IO1	I2C0_SDA	USBFS_I D		
PA11	EVENTOUT	USART0_CTS	TIMER0_CH3	TSI_G3 _IO2			SPI1_IO 2 ⁽³⁾	CMP0 _OUT
PA12	EVENTOUT	USART0_RTS	TIMER0_ETI	TSI_G3 _IO3			SPI1_IO 3 ⁽³⁾	CMP1 _OUT
PA13	SWDIO	IFRP_OUT					SPI1_MI SO ⁽³⁾	
PA14	SWCLK	USART0_TX ⁽¹⁾ USART1_TX ⁽²⁾					SPI1_M OSI ⁽³⁾	
PA15	SPI0_NSS/ I2S0_WS	USART0_RX ⁽¹⁾ USART1_RX ⁽²⁾	TIMER1_CH0, TIMER1_ETI	EVENT OUT			SPI1_N SS ⁽³⁾	

Table 2-8. Port B alternate functions summary

Pin Name	AF0	AF1	AF2	AF3	AF4	AF5	AF6
PB0	EVENTOUT	TIMER2_CH2	TIMER0_CH1_ON	TSI_G2_IO1	USART1_RX		
PB1	TIMER13_CH0	TIMER2_CH3	TIMER0_CH2_ON	TSI_G2_IO2			SPI1_SCK ⁽³⁾
PB2				TSI_G2_IO3			
PB3	SPI0_SCK / I2S0_CK	EVENTOUT	TIMER1_CH1	TSI_G4_IO0			
PB4	SPI0_MISO / I2S0_MCK	TIMER2_CH0	EVENTOUT	TSI_G4_IO1			
PB5	SPI0_MOSI / I2S0_SD	TIMER2_CH1	TIMER15_BKIN	I2C0_SMBA			
PB6	USART0_TX	I2C0_SCL	TIMER15_CH0_ON	TSI_G4_IO2			
PB7	USART0_RX	I2C0_SDA	TIMER16_CH0_ON	TSI_G4_IO3			
PB8	CEC	I2C0_SCL	TIMER15_CH0	TSITG			
PB9	IFRP_OUT	I2C0_SDA	TIMER16_CH0	EVENTOUT		I2S0_MCK	
PB10	CEC	I2C0_SCL ⁽¹⁾ , I2C1_SCL ⁽³⁾	TIMER1_CH2	TSITG			SPI1_IO2 ⁽³⁾
PB11	EVENTOUT	I2C0_SDA ⁽¹⁾ , I2C1_SDA ⁽³⁾	TIMER1_CH3	TSI_G5_IO0			SPI1_IO3 ⁽³⁾
PB12	SPI0_NSS ⁽¹⁾ SPI1_NSS ⁽³⁾	EVENTOUT	TIMER0_BKIN	TSI_G5_IO1	I2C1_SMB A ⁽³⁾		
PB13	SPI0_SCK ⁽¹⁾ SPI1_SCK ⁽³⁾		TIMER0_CH0_ON	TSI_G5_IO2			
PB14	SPI0_MISO ⁽¹⁾ SPI1_MISO ⁽³⁾	TIMER14_CH0	TIMER0_CH1_ON	TSI_G5_IO3			
PB15	SPI0_MOSI ⁽¹⁾ SPI1_MOSI ⁽³⁾	TIMER14_CH1	TIMER0_CH2_ON	TIMER14_CH0_ON			

Table 2-9. Port C alternate functions summary

Pin Name	AF0	AF1	AF2	AF3	AF4	AF5	AF6
PC0	EVENTOUT						
PC1	EVENTOUT						
PC2	EVENTOUT						
PC3	EVENTOUT						
PC4	EVENTOUT						
PC5	TSI_G2_IO0						
PC6	TIMER2_CH0		I2S0_MCK				
PC7	TIMER2_CH1						
PC8	TIMER2_CH2						
PC9	TIMER2_CH3						
PC10							
PC11							
PC12							
PC13							
PC14							
PC15							

Table 2-10. Port D alternate functions summary

Pin Name	AF0	AF1	AF2	AF3	AF4	AF5	AF6
PD0							
PD1							
PD2	TIMER2_ETI						
PD3							
PD4							
PD5							
PD6							
PD7							
PD8							
PD9							
PD10							
PD11							
PD12							
PD13							
PD14							
PD15							

Table 2-11. Port F alternate functions summary

Pin Name	AF0	AF1	AF2	AF3	AF4	AF5	AF6
PF0	CTC_SYNC						
PF1							
PF2							
PF3							
PF4	EVENTOUT						
PF5	EVENTOUT						
PF6	I2C0_SCL ⁽¹⁾ I2C1_SCL ⁽³⁾						
PF7	I2C0_SDA ⁽¹⁾ I2C1_SDA ⁽³⁾						
PF8							
PF9							
PF10							
PF11							
PF12							
PF13							
PF14							
PF15							

Notes:

- (1) Functions are available on GD32F350x4 devices only.
- (2) Functions are available on GD32F350xB/8/6 devices.
- (3) Functions are available on GD32F350xB/8 devices.

3 Functional description

3.1 ARM® Cortex®-M4 core

The ARM® Cortex®-M4 processor is a high performance embedded processor with DSP instructions which allow efficient signal processing and complex algorithm execution. It brings an efficient, easy-to-use blend of control and signal processing capabilities to meet the digital signal control markets demand. The processor is highly configurable enabling a wide range of implementations from those requiring memory protection and powerful trace technology to cost sensitive devices requiring minimal area, while delivering outstanding computational performance and an advanced system response to interrupts.

32-bit ARM® Cortex®-M4 processor core

- Up to 108 MHz operation frequency
- Single-cycle multiplication and hardware divider
- Integrated DSP instructions
- Integrated Nested Vectored Interrupt Controller (NVIC)
- 24-bit SysTick timer

The Cortex®-M4 processor is based on the ARMv7-M architecture and supports both Thumb and Thumb-2 instruction sets. Some system peripherals listed below are also provided by Cortex®-M4:

- Internal Bus Matrix connected with ICode bus, DCode bus, system bus, Private Peripheral Bus (PPB) and debug accesses (AHB-AP)
- Nested Vectored Interrupt Controller (NVIC)
- Flash Patch and Breakpoint (FPB)
- Data Watchpoint and Trace (DWT)
- Instrument Trace Macrocell (ITM)
- Serial Wire JTAG Debug Port (SWJ-DP)
- Trace Port Interface Unit (TPIU)

3.2 On-chip memory

- Up to 128 Kbytes of Flash memory
- Up to 16 Kbytes of SRAM with hardware parity checking

The ARM® Cortex®-M4 processor is structured in Harvard architecture which can use separate buses to fetch instructions and load/store data. 128 Kbytes of inner Flash and 16 Kbytes of inner SRAM at most is available for storing programs and data, both accessed (R/W) at CPU clock speed with zero wait states. [Table 2-2. GD32F350xx memory map](#) shows the memory map of the GD32F350xx series of devices, including code, SRAM, peripheral, and other pre-defined regions.

3.3 Clock, reset and supply management

- Internal 8 MHz factory-trimmed RC and external 4 to 32 MHz crystal oscillator
- Internal 48 MHz RC oscillator
- Internal 28 MHz RC oscillator
- Internal 40 KHz RC calibrated oscillator and external 32.768 KHz crystal oscillator
- Integrated system clock PLL
- 2.6 to 3.6 V application supply and I/Os
- Supply Supervisor: POR (Power On Reset), PDR (Power Down Reset), and low voltage detector (LVD)

The Clock Control Unit (CCU) provides a range of oscillator and clock functions. These include speed internal RC oscillator and external crystal oscillator, high speed and low speed two types. Several prescalers allow the frequency configuration of the AHB and two APB domains. The maximum frequency of the AHB, APB2 and APB1 domains is 108 MHz/54 MHz/54 MHz. See [Figure 2-6. GD32F350xx clock tree](#) for details on the clock tree.

The Reset Control Unit (RCU) controls three kinds of reset: system reset resets the processor core and peripheral IP components. Power-on reset (POR) and power-down reset (PDR) are always active, and ensures proper operation starting from 2.6 V and down to 1.8V. The device remains in reset mode when V_{DD} is below a specified threshold. The embedded low voltage detector (LVD) monitors the power supply, compares it to the voltage threshold and generates an interrupt as a warning message for leading the MCU into security.

Power supply schemes:

- V_{DD} range: 2.6 to 3.6 V, external power supply for I/Os and the internal regulator. Provided externally through V_{DD} pins.
- V_{SSA} , V_{DDA} range: 2.6 to 3.6 V, external analog power supplies for ADC, reset blocks, RCs and PLL.
- V_{BAT} range: 1.8 to 3.6 V, power supply for RTC, external clock 32 KHz oscillator and backup registers (through power switch) when V_{DD} is not present.

3.4 Boot modes

At startup, boot pins are used to select one of three boot options:

- Boot from main Flash memory (default)
- Boot from system memory
- Boot from on-chip SRAM

In default condition, boot from main Flash memory is selected. The boot loader is located in the internal boot ROM memory (system memory). It is used to reprogram the Flash memory by using USART0 (PA9 and PA10) or USART1 (PA14 and PA15).

3.5 Power saving modes

The MCU supports three kinds of power saving modes to achieve even lower power consumption. They are sleep mode, deep-sleep mode, and standby mode. These operating modes reduce the power consumption and allow the application to achieve the best balance between the CPU operating time, speed and power consumption.

- **Sleep mode**

In sleep mode, only the clock of CPU core is off. All peripherals continue to operate and any interrupt/event can wake up the system.

- **Deep-sleep mode**

In deep-sleep mode, all clocks in the 1.2V domain are off, and all of the high speed crystal oscillator (IRC8M, HXTAL) and PLL are disabled. Only the contents of SRAM and registers are retained. Any interrupt or wakeup event from EXTI lines can wake up the system from the deep-sleep mode including the 16 external lines, the RTC alarm, RTC tamper and timestamp, CMP0/CMP1 output, LVD output, USART wakeup, CEC wakeup and USB wakeup. When exiting the deep-sleep mode, the IRC8M is selected as the system clock.

- **Standby mode**

In standby mode, the whole 1.2V domain is power off, the LDO is shut down, and all of IRC8M, HXTAL and PLL are disabled. The contents of SRAM and registers (except backup registers) are lost. There are four wakeup sources for the standby mode, including the external reset from NRST pin, the RTC alarm, the FWDGT reset, and the rising edge on WKUP pin.

3.6 Analog to digital converter (ADC)

- 12-bit SAR ADC's conversion rate is up to 2.86 MSPS
- 12-bit, 10-bit, 8-bit or 6-bit configurable resolution
- Hardware oversampling ratio adjustable from 2 to 256x improves resolution to 16-bit
- Input voltage range: V_{SSA} to V_{DDA} (2.6 to 3.6 V)
- Temperature sensor

One 12-bit 2.86 MSPS multi-channel ADCs are integrated in the device. It has a total of 19 multiplexed channels: 16 external channels, 1 channel for internal temperature sensor (V_{SENSE}), 1 channel for internal reference voltage (V_{REFINT}) and 1 channel for battery voltage (V_{BAT}). The input voltage range is between V_{SSA} and V_{DDA} . An on-chip hardware oversampling scheme improves performance while off-loading the related computational burden from the CPU. An analog watchdog block can be used to detect the channels, which are required to remain within a specific threshold window. A configurable channel management block can be used to perform conversions in single, continuous, scan or discontinuous mode to support more advanced use.

The ADC can be triggered from the events generated by the general level 0 timers (TIMERx)

and the advanced timer (TIMER0) with internal connection. The temperature sensor can be used to generate a voltage that varies linearly with temperature. It is internally connected to the ADC_IN16 input channel which is used to convert the sensor output voltage in a digital value.

3.7 Digital to analog converter (DAC)

- 12-bit DAC converter of independent output channel
- 8-bit or 12-bit mode in conjunction with the DMA controller

The 12-bit buffered DAC channel is used to generate variable analog outputs. The DAC is designed with integrated resistor strings structure. The DAC channels can be triggered by the timer update outputs or EXTI with DMA support. The maximum output value of the DAC is V_{REF+} .

3.8 DMA

- 7 channel DMA controller
- Peripherals supported: Timers, ADC, SPIs, I2Cs, USARTs, DAC and I2S

The flexible general-purpose DMA controllers provide a hardware method of transferring data between peripherals and/or memory without intervention from the CPU, thereby freeing up bandwidth for other system functions. Three types of access method are supported: peripheral to memory, memory to peripheral, memory to memory.

Each channel is connected to fixed hardware DMA requests. The priorities of DMA channel requests are determined by software configuration and hardware channel number. Transfer size of source and destination are independent and configurable.

3.9 General-purpose inputs/outputs (GPIOs)

- Up to 55 fast GPIOs, all mappable on 16 external interrupt lines
- Analog input/output configurable
- Alternate function input/output configurable

There are up to 55 general purpose I/O pins (GPIO) in GD32F350xx, named PA0 ~ PA15 and PB0 ~ PB15, PC0 ~ PC15, PD2, PF0, PF1, PF4-PF7 to implement logic input/output functions. Each of the GPIO ports has related control and configuration registers to satisfy the requirements of specific applications. The external interrupts on the GPIO pins of the device have related control and configuration registers in the Interrupt/event controller (EXTI). The GPIO ports are pin-shared with other alternative functions (AFs) to obtain maximum flexibility on the package pins. Each of the GPIO pins can be configured by software as output (push-pull open-drain or analog), as input (with or without pull-up or pull-down) or as peripheral alternate function. Most of the GPIO pins are shared with digital or analog alternate functions.

All GPIOs are high-current capable except for analog inputs.

3.10 Timers and PWM generation

- One 16-bit advanced timer (TIMER0), one 32-bit general timer (TIMER1), five 16-bit general timers (TIMER2, TIMER13 ~ TIMER16), and one 16-bit basic timer (TIMER5)
- Up to 4 independent channels of PWM, output compare or input capture for each general timer and external trigger input
- 16-bit, motor control PWM advanced timer with programmable dead-time generation for output match
- Encoder interface controller with two inputs using quadrature decoder
- 24-bit SysTick timer down counter
- 2 watchdog timers (Free watchdog timer and window watchdog timer)

The advanced timer (TIMER0) can be used as a three-phase PWM multiplexed on 6 channels. It has complementary PWM outputs with programmable dead-time generation. It can also be used as a complete general timer. The 4 independent channels can be used for input capture, output compare, PWM generation (edge- or center- aligned counting modes) and single pulse mode output. If configured as a general 16-bit timer, it has the same functions as the TIMEx timer. It can be synchronized with external signals or to interconnect with other general timers together which have the same architecture and features.

The general timer can be used for a variety of purposes including general time, input signal pulse width measurement or output waveform generation such as a single pulse generation or PWM output, up to 4 independent channels for input capture/output compare. TIMER1 is based on a 32-bit auto-reload up/downcounter and a 16-bit prescaler. TIMER2 is based on a 16-bit auto-reload up/downcounter and a 16-bit prescaler. TIMER13 ~ TIMER16 is based on a 16-bit auto-reload upcounter and a 16-bit prescaler. The general timer also supports an encoder interface with two inputs using quadrature decoder.

The basic timer, known as TIMER5, is mainly used for DAC trigger generation. They can also be used as a simple 16-bit time base.

The GD32F350xx have two watchdog peripherals, free watchdog and window watchdog. They offer a combination of high safety level, flexibility of use and timing accuracy.

The free watchdog timer includes a 12-bit down-counting counter and an 8-bit prescaler. It is clocked from an independent 40 KHz internal RC and as it operates independently of the main clock, it can operate in deep-sleep and standby modes. It can be used either as a watchdog to reset the device when a problem occurs, or as a free-running timer for application timeout management.

The window watchdog is based on a 7-bit down counter that can be set as free-running. It can be used as a watchdog to reset the device when a problem occurs. It is clocked from the main clock. It has an early wakeup interrupt capability and the counter can be frozen in debug mode.

The SysTick timer is dedicated for OS, but could also be used as a standard down counter.

The features are shown below:

- A 24-bit down counter
- Auto reload capability
- Maskable system interrupt generation when the counter reaches 0
- Programmable clock source

3.11 Real time clock (RTC)

- Independent binary-coded decimal (BCD) format timer/counter with five 32-bit backup registers.
- Calendar with subsecond, seconds, minutes, hours, week day, date, year and month automatically correction
- Alarm function with wake up from deep-sleep and standby mode capability
- On-the-fly correction for synchronization with master clock. Digital calibration with 0.954 ppm resolution for compensation of quartz crystal inaccuracy.

The real time clock is an independent timer which provides a set of continuously running counters in backup registers to provide a real calendar function, and provides an alarm interrupt or an expected interrupt. It is not reset by a system or power reset, or when the device wakes up from standby mode. In the RTC unit, there are two prescalers used for implementing the calendar and other functions. One prescaler is a 7-bit asynchronous prescaler and the other is a 15-bit synchronous prescaler.

3.12 Inter-integrated circuit (I2C)

- Up to two I2C bus interfaces can support both master and slave mode with a frequency up to 1 MHz (Fast mode plus)
- Provide arbitration function, optional PEC (packet error checking) generation and checking
- Supports 7-bit and 10-bit addressing mode and general call addressing mode

The I2C interface is an internal circuit allowing communication with an external I2C interface which is an industry standard two line serial interface used for connection to external hardware. These two serial lines are known as a serial data line (SDA) and a serial clock line (SCL). The I2C module provides different data transfer rates: up to 100 KHz in standard mode, up to 400 KHz in the fast mode and up to 1 MHz in the fast mode plus. The I2C module also has an arbitration detect function to prevent the situation where more than one master attempts to transmit data to the I2C bus at the same time. A CRC-8 calculator is also provided in I2C interface to perform packet error checking for I2C data.

3.13 Serial peripheral interface (SPI)

- Up to two SPI interfaces with a frequency of up to 30 MHz
- Support both master and slave mode
- Hardware CRC calculation and transmit automatic CRC error checking

The SPI interface uses 4 pins, among which are the serial data input and output lines (MISO & MOSI), the clock line (SCK) and the slave select line (NSS). Both SPIs can be served by the DMA controller. The SPI interface may be used for a variety of purposes, including simplex synchronous transfers on two lines with a possible bidirectional data line or reliable communication using CRC checking.

3.14 Universal synchronous asynchronous receiver transmitter (USART)

- Up to two USARTs with operating frequency up to 6.75 MB/s
- Supports both asynchronous and clocked synchronous serial communication modes
- IrDA SIR encoder and decoder support
- LIN break generation and detection
- ISO 7816-3 compliant smart card interface

The USART (USART0, USART1) are used to translate data between parallel and serial interfaces, provides a flexible full duplex data exchange using synchronous or asynchronous transfer. It is also commonly used for RS-232 standard communication. The USART includes a programmable baud rate generator which is capable of dividing the system clock to produce a dedicated clock for the USART transmitter and receiver. The USART also supports DMA function for high speed data communication.

3.15 Inter-IC sound (I2S)

- One I2S bus Interfaces with sampling frequency from 8 KHz to 192 KHz, multiplexed with SPI0
- Support either master or slave mode

The Inter-IC sound (I2S) bus provides a standard communication interface for digital audio applications by 3-wire serial lines. GD32F350xx contain an I2S-bus interface that can be operated with 16/32 bit resolution in master or slave mode, pin multiplexed with SPI0. The audio sampling frequency from 8 KHz to 192 KHz is supported with less than 0.5% accuracy error.

3.16 HDMI CEC

- Hardware support Consumer Electronics Control (CEC) protocol (HDMI standard rev1.4)

The CEC protocol provides high-level control functions between the audiovisual products linked with HDMI cables. GD32F350xx contain a HDMI-CEC controller which has an independent clock domain and can wake up the MCU from deep-sleep mode on data reception.

3.17 Universal serial bus full-speed interface (USBFS)

- One USB device/host/OTG full-speed Interface with frequency up to 12 Mbit/s
- Internal 48 MHz oscillator (IRC48M) support crystal-less operation
- Internal main PLL for USB CLK compliantly
- Internal USBFS PHY support

The Universal Serial Bus (USB) is a 4-wire bus with 4 bidirectional endpoints. The device controller enables 12 Mbit/s data exchange with integrated transceivers. Transaction formatting is performed by the hardware, including CRC generation and checking. It supports both host and device modes, as well as OTG mode with Host Negotiation Protocol (HNP) and Session Request Protocol (SRP). The controller contains a full-speed USB PHY internal. For full-speed or low-speed operation, no more external PHY chip is needed. It supports all the four types of transfer (control, bulk, Interrupt and isochronous) defined in USB 2.0 protocol. The required precise 48 MHz clock which can be generated from the internal main PLL (the clock source must use a HXTAL crystal oscillator) or by the internal 48 MHz oscillator (IRC48M) in automatic trimming mode that allows crystal-less operation.

3.18 Touch sensing interface (TSI)

- Charge transfer sequence fully controlled by hardware
- 6 fully parallel groups implemented
- 18 IOs configurable for capacitive sensing Channel Pins and 6 for Sample Pins
- Configurable transfer sequence frequency
- Able to implement the user specific charge transfer sequences
- Sequence end and error flags / configurable interrupts
- Spread spectrum function implemented

Capacitive sensing technology can be used for the detection of a finger (or any conductive object) presence near an electrode. The capacitive variation of the electrode introduced by the finger can be measured by charging and detecting the voltage across the sampling capacitor. GD32F350xx contain a hardware touch sensing interface (TSI) and only requires few external components to operate. The sensing channels are distributed over 6 analog I/O groups including: Group0 (PA0 ~ PA3), Group1 (PA4 ~ PA7), Group2 (PC5, PB0 ~ PB2),

Group3 (PA9 ~ PA12), Group4 (PB3, PB4, PB6, PB7) and Group5 (PB11 ~ PB14),

3.19 Comparators (CMP)

- Two fast rail-to-rail low-power comparators with software configurable
- Programmable reference voltage (internal, external I/O or DAC output pin)

Two Comparators (CMP) are implemented within the devices. Both comparators can wake up from deep-sleep mode to generate interrupts and breaks for the timers and also can be combined as a window comparator. The internal voltage reference is also connected to ADC_IN17 input channel of the ADC.

3.20 Debug mode

- Serial wire JTAG debug port (SWJ-DP)

The ARM® SWJ-DP Interface is embedded and is a combined JTAG and serial wire debug port that enables either a serial wire debug or a JTAG probe to be connected to the target.

3.21 Package and operation temperature

- LQFP64 (GD32F350Rx), LQFP48 (GD32F350Cx), QFN32 (GD32F350Kx) and QFN28 (GD32F350Gx)
- Operation temperature range: -40°C to +85°C (industrial level)

4 Electrical characteristics

4.1 Absolute maximum ratings

The maximum ratings are the limits to which the device can be subjected without permanently damaging the device. Note that the device is not guaranteed to operate properly at the maximum ratings. Exposure to the absolute maximum rating conditions for extended periods may affect device reliability.

Table 4-1. Absolute maximum ratings^{(1) (4)}

Symbol	Parameter	Min	Max	Unit
V_{DD}	External voltage range ⁽²⁾	$V_{SS} - 0.3$	$V_{SS} + 3.6$	V
V_{DDA}	External analog supply voltage	$V_{SSA} - 0.3$	$V_{SSA} + 3.6$	V
V_{BAT}	External battery supply voltage	$V_{SS} - 0.3$	$V_{SS} + 3.6$	V
V_{IN}	Input voltage on 5V tolerant pin ⁽³⁾	$V_{SS} - 0.3$	$V_{DD} + 3.6$	V
	Input voltage on other I/O	$V_{SS} - 0.3$	3.6	V
$ \Delta V_{DDx} $	Variations between different V_{DD} power pins	—	50	mV
$ V_{SSx} - V_{SS} $	Variations between different ground pins	—	50	mV
I_{IO}	Maximum current for GPIO pin	—	± 25	mA
T_A	Operating temperature range	-40	+85	°C
T_{STG}	Storage temperature range	-55	+150	°C
T_J	Maximum junction temperature	—	125	°C

(1). Guaranteed by design, not tested in production.

(2). All main power and ground pins should be connected to an external power source within the allowable range.

(3). V_{IN} maximum value cannot exceed 6.5 V.

(4). It is recommended that V_{DD} and V_{DDA} are powered by the same source. The maximum difference between V_{DD} and V_{DDA} does not exceed 300 mV during power-up and operation.

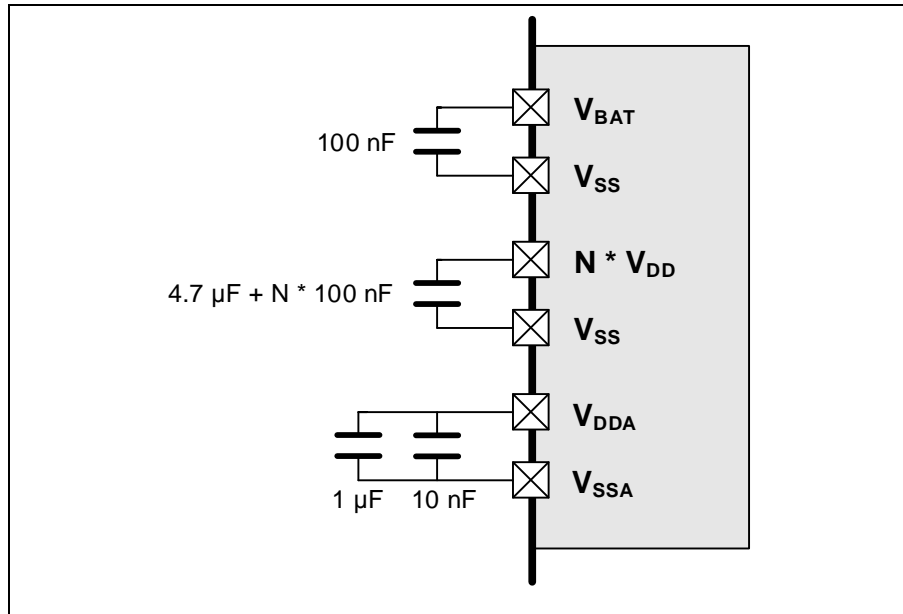
4.2 Operating conditions characteristics

Table 4-2. DC operating conditions

Symbol	Parameter	Conditions	Min ⁽¹⁾	Typ	Max ⁽¹⁾	Unit
V_{DD}	Supply voltage	—	2.6	3.3	3.6	V
V_{DDA}	Analog supply voltage	Same as V_{DD}	2.6	3.3	3.6	V
V_{BAT}	Battery supply voltage	—	1.8	—	3.6	V

(1). Based on characterization, not tested in production.

Figure 4-1. Recommended power supply decoupling capacitors^{(1) (2)}



- (1). The V_{REF+} and V_{REF-} pins are only available on no less than 100-pin packages, or else the V_{REF+} and V_{REF-} pins are not available and internally connected to V_{DDA} and V_{SSA} pins.
- (2). All decoupling capacitors need to be as close as possible to the pins on the PCB board.

Table 4-3. Clock frequency⁽¹⁾

Symbol	Parameter	Conditions	Min	Max	Unit
f_{HCLK1}	AHB1 clock frequency	—	0	108	MHz
f_{HCLK2}	AHB2 clock frequency	—	0	108	MHz
f_{APB1}	APB1 clock frequency	—	0	54	MHz
f_{APB2}	APB2 clock frequency	—	0	54	MHz

- (1). Guaranteed by design, not tested in production.

Table 4-4. Operating conditions at Power up/ Power down⁽¹⁾

Symbol	Parameter	Conditions	Min	Max	Unit
t_{VDD}	V_{DD} rise time rate	—	0	∞	$\mu\text{s}/\text{V}$
	V_{DD} fall time rate		20	∞	

- (1). Based on characterization, not tested in production.

Table 4-5. Start-up timings of Operating conditions^{(1) (2) (3)}

Symbol	Parameter	Conditions	Typ	Unit
$t_{\text{start-up}}$	Start-up time	Clock source from HXTAL	37	ms
		Clock source from IRC8M	37	

- (1). Based on characterization, not tested in production.
- (2). After power-up, the start-up time is the time between the rising edge of NRST high and the main function.
- (3). PLL is off.

Table 4-6. Power saving mode wakeup timings characteristics^{(1) (2)}

Symbol	Parameter	Typ	Unit
t_{Sleep}	Wakeup from Sleep mode	3.4	μs
$t_{\text{Deep-sleep}}$	Wakeup from Deep-sleep mode (LDO On)	5.3	
	Wakeup from Deep-sleep mode (LDO in low power mode)	5.3	

Symbol	Parameter	Typ	Unit
t_{Standby}	Wakeup from Standby mode	37.9	ms

- (1). Based on characterization, not tested in production.
(2). The wakeup time is measured from the wakeup event to the point at which the application code reads the first instruction under the below conditions: $V_{\text{DD}} = V_{\text{DDA}} = 3.3 \text{ V}$, IRC8M = System clock = 8 MHz.

4.3 Power consumption

The power measurements specified in the tables represent that code with data executing from on-chip Flash with the following specifications.

Table 4-7. Power consumption characteristics ^{(1) (2) (3) (4) (5)}

Symbol	Parameter	Conditions	Min	Typ	Max	Unit
$I_{\text{DD}} + I_{\text{DDA}}$	Supply current (Run mode)	$V_{\text{DD}} = V_{\text{DDA}} = 3.3 \text{ V}$, HXTAL = 8 MHz , System clock = 108 MHz, All peripherals enabled	—	25.12	—	mA
		$V_{\text{DD}} = V_{\text{DDA}} = 3.3 \text{ V}$, HXTAL = 8 MHz , System clock = 108 MHz, All peripherals disabled	—	19.04	—	mA
		$V_{\text{DD}} = V_{\text{DDA}} = 3.3 \text{ V}$, HXTAL = 8 MHz , System clock = 96 MHz, All peripherals enabled	—	22.46	—	mA
		$V_{\text{DD}} = V_{\text{DDA}} = 3.3 \text{ V}$, HXTAL = 8 MHz , System Clock = 96 MHz, All peripherals disabled	—	17.08	—	mA
		$V_{\text{DD}} = V_{\text{DDA}} = 3.3 \text{ V}$, HXTAL = 8 MHz , System clock = 84 MHz, All peripherals enabled	—	19.86	—	mA
		$V_{\text{DD}} = V_{\text{DDA}} = 3.3 \text{ V}$, HXTAL = 8 MHz , System Clock = 84 MHz, All peripherals disabled	—	15.14	—	mA
		$V_{\text{DD}} = V_{\text{DDA}} = 3.3 \text{ V}$, HXTAL = 8 MHz , System clock = 72 MHz, All peripherals enabled	—	17.22	—	mA
		$V_{\text{DD}} = V_{\text{DDA}} = 3.3 \text{ V}$, HXTAL = 8 MHz , System Clock = 72 MHz, All peripherals disabled	—	13.18	—	mA
		$V_{\text{DD}} = V_{\text{DDA}} = 3.3 \text{ V}$, HXTAL = 8 MHz , System clock = 48 MHz, All peripherals enabled	—	11.99	—	mA
		$V_{\text{DD}} = V_{\text{DDA}} = 3.3 \text{ V}$, HXTAL = 8 MHz , System Clock = 48 MHz, All peripherals disabled	—	9.30	—	mA

Symbol	Parameter	Conditions	Min	Typ	Max	Unit
		$V_{DD} = V_{DDA} = 3.3\text{ V}$, HXTAL = 8 MHz , System clock = 36 MHz, All peripherals enabled	—	9.36	—	mA
		$V_{DD} = V_{DDA} = 3.3\text{ V}$, HXTAL = 8 MHz , System Clock = 36 MHz, All peripherals disabled	—	7.36	—	mA
		$V_{DD} = V_{DDA} = 3.3\text{ V}$, HXTAL = 8 MHz , System clock = 24 MHz, All peripherals enabled	—	6.72	—	mA
		$V_{DD} = V_{DDA} = 3.3\text{ V}$, HXTAL = 8 MHz , System Clock = 24 MHz, All peripherals disabled	—	5.38	—	mA
		$V_{DD} = V_{DDA} = 3.3\text{ V}$, HXTAL = 8 MHz, System clock = 16 MHz , All peripherals enabled	—	4.96	—	mA
		$V_{DD} = V_{DDA} = 3.3\text{ V}$, HXTAL = 8 MHz , System Clock = 16 MHz, All peripherals disabled	—	4.06	—	mA
		$V_{DD} = V_{DDA} = 3.3\text{ V}$, HXTAL = 8 MHz , System clock = 8 MHz, All peripherals enabled	—	3.22	—	mA
		$V_{DD} = V_{DDA} = 3.3\text{ V}$, HXTAL = 8 MHz , System Clock = 8 MHz, All peripherals disabled	—	2.78	—	mA
		$V_{DD} = V_{DDA} = 3.3\text{ V}$, HXTAL = 4 MHz , System clock = 4 MHz, All peripherals enabled	—	0.94	—	mA
		$V_{DD} = V_{DDA} = 3.3\text{ V}$, HXTAL = 4 MHz , System Clock = 4 MHz, All peripherals disabled	—	0.75	—	mA
		$V_{DD} = V_{DDA} = 3.3\text{ V}$, HXTAL = 2 MHz , System clock = 2 MHz, All peripherals enabled	—	0.56	—	mA
		$V_{DD} = V_{DDA} = 3.3\text{ V}$, HXTAL = 2 MHz , System Clock = 2 MHz, All peripherals disabled	—	0.48	—	mA
	Supply current (Sleep mode)	$V_{DD} = V_{DDA} = 3.3\text{ V}$, HXTAL = 8 MHz , CPU clock off, System clock = 108 MHz, All peripherals enabled	—	13.22	—	mA
		$V_{DD} = V_{DDA} = 3.3\text{ V}$, HXTAL = 8 MHz , CPU clock off, System clock = 108 MHz, All peripherals disabled	—	6.30	—	mA

Symbol	Parameter	Conditions	Min	Typ	Max	Unit
		$V_{DD} = V_{DDA} = 3.3\text{ V}$, HXTAL = 8 MHz, CPU clock off, System clock = 96 MHz, All peripherals enabled	—	11.86	—	mA
		$V_{DD} = V_{DDA} = 3.3\text{ V}$, HXTAL = 8 MHz, CPU clock off, System Clock = 96 MHz, All peripherals disabled	—	5.76	—	mA
		$V_{DD} = V_{DDA} = 3.3\text{ V}$, HXTAL = 8 MHz, CPU clock off, System clock = 84 MHz, All peripherals enabled	—	10.60	—	mA
		$V_{DD} = V_{DDA} = 3.3\text{ V}$, HXTAL = 8 MHz, CPU clock off, System Clock = 84 MHz, All peripherals disabled	—	5.24	—	mA
		$V_{DD} = V_{DDA} = 3.3\text{ V}$, HXTAL = 8 MHz, CPU clock off, System clock = 72 MHz, All peripherals enabled	—	9.28	—	mA
		$V_{DD} = V_{DDA} = 3.3\text{ V}$, HXTAL = 8 MHz, CPU clock off, System Clock = 72 MHz, All peripherals disabled	—	4.68	—	mA
		$V_{DD} = V_{DDA} = 3.3\text{ V}$, HXTAL = 8 MHz, CPU clock off, System clock = 48 MHz, All peripherals enabled	—	6.70	—	mA
		$V_{DD} = V_{DDA} = 3.3\text{ V}$, HXTAL = 8 MHz, CPU clock off, System Clock = 48 MHz, All peripherals disabled	—	3.62	—	mA
		$V_{DD} = V_{DDA} = 3.3\text{ V}$, HXTAL = 8 MHz, CPU clock off, System clock = 36 MHz, All peripherals enabled	—	5.36	—	mA
		$V_{DD} = V_{DDA} = 3.3\text{ V}$, HXTAL = 8 MHz, CPU clock off, System Clock = 36 MHz, All peripherals disabled	—	3.08	—	mA
		$V_{DD} = V_{DDA} = 3.3\text{ V}$, HXTAL = 8 MHz, CPU clock off, System clock = 24 MHz, All peripherals enabled	—	4.06	—	mA
		$V_{DD} = V_{DDA} = 3.3\text{ V}$, HXTAL = 8 MHz, CPU clock off, System Clock = 24 MHz, All peripherals disabled	—	2.52	—	mA
		$V_{DD} = V_{DDA} = 3.3\text{ V}$, HXTAL = 8 MHz, CPU clock off, System clock = 16 MHz, All peripherals enabled	—	3.20	—	mA
		$V_{DD} = V_{DDA} = 3.3\text{ V}$, HXTAL = 8 MHz, CPU clock off, System Clock = 16 MHz, All peripherals disabled	—	2.18	—	mA

Symbol	Parameter	Conditions	Min	Typ	Max	Unit
		$V_{DD} = V_{DDA} = 3.3\text{ V}$, HXTAL = 8 MHz, CPU clock off, System clock = 8 MHz, All peripherals enabled	—	2.32	—	mA
		$V_{DD} = V_{DDA} = 3.3\text{ V}$, HXTAL = 8 MHz, CPU clock off, System Clock = 8 MHz, All peripherals disabled	—	1.84	—	mA
		$V_{DD} = V_{DDA} = 3.3\text{ V}$, HXTAL = 4 MHz, CPU clock off, System clock = 4 MHz, All peripherals enabled	—	0.56	—	mA
		$V_{DD} = V_{DDA} = 3.3\text{ V}$, HXTAL = 4 MHz, CPU clock off, System Clock = 4 MHz, All peripherals disabled	—	0.36	—	mA
		$V_{DD} = V_{DDA} = 3.3\text{ V}$, HXTAL = 2 MHz, CPU clock off, System clock = 2 MHz, All peripherals enabled	—	0.37	—	mA
		$V_{DD} = V_{DDA} = 3.3\text{ V}$, HXTAL = 2 MHz, CPU clock off, System Clock = 2 MHz, All peripherals disabled	—	0.27	—	mA
	Supply current (Deep-sleep mode)	$V_{DD} = V_{DDA} = 3.3\text{ V}$, LDO in run mode, IRC40K off, RTC off, All GPIOs analog mode	—	117.06	330	μA
		$V_{DD} = V_{DDA} = 3.3\text{ V}$, LDO in low power mode, IRC40K off, RTC off, All GPIOs analog mode	—	91.98	330	μA
		$V_{DD} = V_{DDA} = 3.3\text{ V}$, Main LDO in under drive mode, IRC40K off, RTC off, All GPIOs analog mode	—	110.78	330	μA
		$V_{DD} = V_{DDA} = 3.3\text{ V}$, Low Power LDO in under drive mode, IRC40K off, RTC off, All GPIOs analog mode	—	85.92	330	μA
	Supply current (Standby mode)	$V_{DD} = V_{DDA} = 3.3\text{ V}$, LXTAL off, IRC40K on, RTC on	—	7.83	12.1	μA
		$V_{DD} = V_{DDA} = 3.3\text{ V}$, LXTAL off, IRC40K on, RTC off	—	7.54	12.1	μA
		$V_{DD} = V_{DDA} = 3.3\text{ V}$, LXTAL off, IRC40K off, RTC off, VDDA Monitor on	—	6.85	12.1	μA
		$V_{DD} = V_{DDA} = 3.3\text{ V}$, LXTAL off, IRC40K off, RTC off, VDDA Monitor off	—	4.46	12.1	μA
I_{BAT}	Battery supply current	V_{DD} off, V_{DDA} off, $V_{BAT} = 3.6\text{ V}$, LXTAL on with external crystal, RTC on, LXTAL High driving	—	1.74	—	μA
		V_{DD} off, V_{DDA} off, $V_{BAT} = 3.3\text{ V}$, LXTAL on with external crystal, RTC on, LXTAL High driving	—	1.59	—	μA

Symbol	Parameter	Conditions	Min	Typ	Max	Unit
		V _{DD} off, V _{DDA} off, V _{BAT} = 2.6 V, LXTAL on with external crystal, RTC on, LXTAL High driving	—	1.38	—	μA
		V _{DD} off, V _{DDA} off, V _{BAT} = 3.6 V, LXTAL on with external crystal, RTC on, LXTAL Medium High driving	—	1.44	—	μA
		V _{DD} off, V _{DDA} off, V _{BAT} = 3.3 V, LXTAL on with external crystal, RTC on, LXTAL Medium High driving	—	1.29	—	μA
		V _{DD} off, V _{DDA} off, V _{BAT} = 2.6 V, LXTAL on with external crystal, RTC on, LXTAL Medium High driving	—	1.09	—	μA
		V _{DD} off, V _{DDA} off, V _{BAT} = 3.6 V, LXTAL on with external crystal, RTC on, LXTAL Medium Low driving	—	1.15	—	μA
		V _{DD} off, V _{DDA} off, V _{BAT} = 3.3 V, LXTAL on with external crystal, RTC on, LXTAL Medium Low driving	—	1.00	—	μA
		V _{DD} off, V _{DDA} off, V _{BAT} = 2.6 V, LXTAL on with external crystal, RTC on, LXTAL Medium Low driving	—	0.80	—	μA
		V _{DD} off, V _{DDA} off, V _{BAT} = 3.6 V, LXTAL on with external crystal, RTC on, LXTAL Low driving	—	1.07	—	μA
		V _{DD} off, V _{DDA} off, V _{BAT} = 3.3 V, LXTAL on with external crystal, RTC on, LXTAL Low driving	—	0.92	—	μA
		V _{DD} off, V _{DDA} off, V _{BAT} = 2.6 V, LXTAL on with external crystal, RTC on, LXTAL Low driving	—	0.72	—	μA

(1). Based on characterization, not tested in production.

(2). Unless otherwise specified, all values given for T_A = 25 °C and test result is mean value.

(3). When System Clock is less than 4 MHz, an external source is used, and the HXTAL bypass function is needed, no PLL.

(4). When System Clock is greater than 8 MHz, a crystal 8 MHz is used, and the HXTAL bypass function is closed, using PLL.

(5). When analog peripheral blocks such as ADCs, DACs, HXTAL, LXTAL, IRC8M, or IRC40K are ON, an additional power consumption should be considered.

Figure 4-2. Typical supply current consumption in Run mode

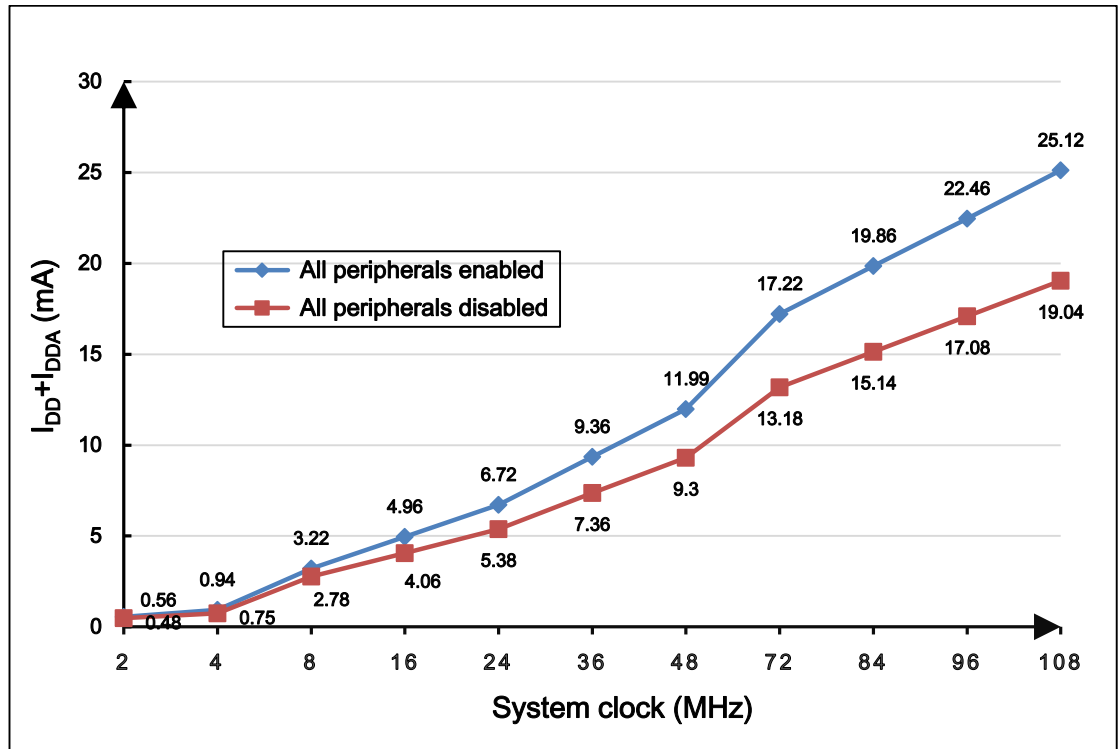


Figure 4-3. Typical supply current consumption in Sleep mode

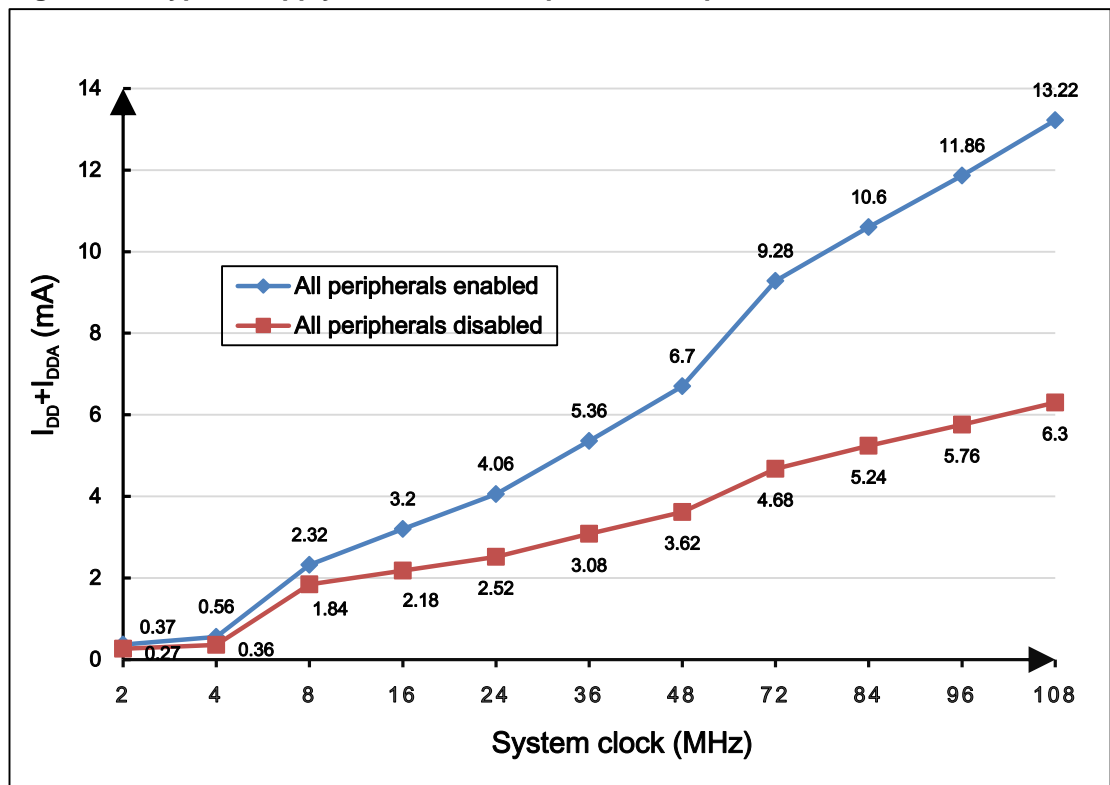


Table 4-8. Peripheral current consumption characteristics ⁽¹⁾

Peripherals ⁽⁵⁾		Typical consumption at 25°C (TYP) ⁽¹⁾	Unit
APB1	CEC	0.6	mA
	DAC ⁽²⁾	0.84	
	PMU	0.95	
	I2C1	0.7	
	I2C0	0.73	
	USART1	0.68	
	SPI2	0.59	
	SPI1	0.63	
	WWDGT	0.59	
	TIMER13	0.65	
	TIMER 5	0.62	
	TIMER 2	0.93	
	TIMER 1	1.01	
APB2	TIMER 16	0.76	
	TIMER 15	0.77	
	TIMER 14	0.86	
	USART0	0.84	
	SPI0	0.7	
	TIMER0	1.15	
	ADC ⁽³⁾	1.42	
	CFG & CMP ⁽⁴⁾	1.06	
AHB	TSI	0.86	
	GPIOF	0.66	
	GPIOD	0.66	
	GPIOC	0.71	
	GPIOB	0.71	
	GPIOA	0.71	
	USBFS	1.93	
	CRC	0.66	
	DMA	1.01	
ADDAPB1	CTC	0.39	
	I2C2	0.34	

(1). Based on characterization, not tested in production.

(2). DEN0 and DEN1 bits in the DAC_CTL register are set to 1, and the converted value set to 0x800.

(3). system clock = $f_{HCLK} = 108 \text{ MHz}$, $f_{APB1} = f_{HCLK}/2$, $f_{APB2} = f_{HCLK}$, $f_{ADCCLK} = f_{APB2}/2$, ADCON bit is set to 1.

(4). CMP0 or CMP1 enabled by setting CMP0EN and CMP1EN bit in CMP_CS, CMP0 or CMP1 mode setted to High Speed.

(5). If there is no other description, then HXTAL = 8 MHz, system clock = $f_{HCLK} = 108\text{MHz}$, $f_{APB1} = f_{HCLK}/2$, $f_{APB2} = f_{HCLK}$.

4.4 EMC characteristics

EMS (electromagnetic susceptibility) includes ESD (Electrostatic discharge, positive and negative) and FTB (Burst of Fast Transient voltage, positive and negative) testing result is given in [Table 4-9. EMS characteristics](#), based on the EMS levels and classes compliant with IEC 61000 series standard.

Table 4-9. EMS characteristics

Symbol	Parameter	Conditions	Level/Class
V _{ESD}	Voltage applied to all device pins to induce a functional disturbance	V _{DD} = 3.3 V, T _A = +25 °C, LQFP64, f _{HCLK} = 108 MHz conforms to IEC 61000-4-2	3A
V _{FTB}	Fast transient voltage burst applied to induce a functional disturbance through 100 pF on V _{DD} and V _{SS} pins	V _{DD} = 3.3 V, T _A = + 25 °C, LQFP64, f _{HCLK} = 108 MHz conforms to IEC 61000-4-4	3A

4.5 Power supply supervisor characteristics

Table 4-10. Power supply supervisor characteristics

Symbol	Parameter	Conditions	Min	Typ	Max	Unit
$V_{LVD}^{(1)}$	Low Voltage Detector Threshold	LVDT[2:0] = 000, rising edge	3.03	3.11	3.19	V
		LVDT[2:0] = 000, falling edge	2.94	3.01	3.07	V
		LVDT[2:0] = 001, rising edge	2.9	2.97	3.04	V
		LVDT[2:0] = 001, falling edge	2.8	2.87	2.93	V
		LVDT[2:0] = 010, rising edge	2.76	2.83	2.9	V
		LVDT[2:0] = 010, falling edge	2.66	2.73	2.79	V
		LVDT[2:0] = 011, rising edge	2.63	2.69	2.76	V
		LVDT[2:0] = 011, falling edge	2.53	2.59	2.66	V
		LVDT[2:0] = 100, rising edge	2.49	2.55	2.62	V
		LVDT[2:0] = 100, falling edge	2.39	2.45	2.52	V
		LVDT[2:0] = 101, rising edge	2.36	2.42	2.47	V
		LVDT[2:0] = 101, falling edge	2.26	2.32	2.37	V
		LVDT[2:0] = 110, rising edge	2.22	2.28	2.33	V
		LVDT[2:0] = 110, falling edge	2.13	2.17	2.22	V
		LVDT[2:0] = 111, rising edge	2.08	2.14	2.19	V
LVDT[2:0] = 111, falling edge	1.99	2.03	2.08	V		
$V_{LVDhyst}^{(2)}$	LVD hysteresis	—	—	100	—	mV
$V_{POR}^{(1)}$	Power on reset threshold	—	—	2.37	—	V
$V_{PDR}^{(1)}$	Power down reset threshold		—	1.82	—	V
$V_{PDRhyst}^{(2)}$	PDR hysteresis		—	600	—	mV
$t_{RSTTEMPO}^{(2)}$	Reset temporization		—	2	—	ms

(1). Based on characterization, not tested in production.

(2). Guaranteed by design, not tested in production.

4.6 Electrical sensitivity

The device is strained in order to determine its performance in terms of electrical sensitivity. Electrostatic discharges (ESD) are applied directly to the pins of the sample. Static latch-up (LU) test is based on the two measurement methods.

Table 4-11. ESD characteristics ⁽¹⁾

Symbol	Parameter	Conditions	Min	Typ	Max	Unit
V _{ESD(HBM)}	Electrostatic discharge voltage (human body model)	T _A = 25 °C; JESD22-A114	—	—	6000	V
V _{ESD(CDM)}	Electrostatic discharge voltage (charge device model)	T _A = 25 °C; JESD22-C101	—	—	2000	V

(1). Based on characterization, not tested in production.

Table 4-12. Static latch-up characteristics ⁽¹⁾

Symbol	Parameter	Conditions	Min	Typ	Max	Unit
LU	I-test	T _A = 25 °C; JESD78	—	—	±200	mA
	V _{supply} over voltage		—	—	5.4	V

(1). Based on characterization, not tested in production.

4.7 External clock characteristics

Table 4-13. High speed external clock (HXTAL) generated from a crystal/ceramic characteristics

Symbol	Parameter	Conditions	Min	Typ	Max	Unit
f _{HXTAL} ⁽¹⁾	Crystal or ceramic frequency	2.6 V ≤ V _{DD} ≤ 3.6 V	4	8	32	MHz
R _F ⁽²⁾	Feedback resistor	V _{DD} = 3.3 V	—	400	—	kΩ
C _{HXTAL} ⁽²⁾⁽³⁾	Recommended matching capacitance on OSCIN and OSCOUT	—	—	20	30	pF
D _{ucy(HXTAL)} ⁽²⁾	Crystal or ceramic duty cycle	—	30	50	70	%
I _{DD(HXTAL)} ⁽¹⁾	Crystal or ceramic operating current	V _{DD} = 3.3 V, T _A = 25 °C	—	1.3	—	mA
t _{SUHXTAL} ⁽¹⁾	Crystal or ceramic startup time	V _{DD} = 3.3 V, T _A = 25 °C	—	1.8	—	ms

(1). Based on characterization, not tested in production.

(2). Guaranteed by design, not tested in production.

(3). C_{HXTAL1} = C_{HXTAL2} = 2*(C_{LOAD} - C_S). For C_{HXTAL1} and C_{HXTAL2}, it is recommended matching capacitance on OSCIN and OSCOUT. For C_{LOAD}, it is crystal/ceramic load capacitance, provided by the crystal or ceramic manufacturer. For C_S, it is PCB and MCU pin stray capacitance.

Table 4-14. High speed external user clock characteristics (HXTAL in bypass mode)

Symbol	Parameter	Conditions	Min	Typ	Max	Unit
f _{HXTAL_ext} ⁽¹⁾	External clock source or oscillator frequency	V _{DD} = 3.3 V	1	8	50	MHz
V _{HXTALH} ⁽²⁾	OSCIN input pin high level voltage	V _{DD} = 3.3 V	0.7 V _{DD}	—	V _{DD}	V
V _{HXTALL} ⁽²⁾	OSCIN input pin low level voltage		V _{SS}	—	0.3 V _{DD}	
t _{H/L(HXTAL)} ⁽²⁾	OSCIN high or low time	—	5	—	—	ns
t _{R/F(HXTAL)} ⁽²⁾	OSCIN rise or fall time	—	—	—	10	
C _{IN} ⁽¹⁾	OSCIN input capacitance	—	—	5	—	pF

Symbol	Parameter	Conditions	Min	Typ	Max	Unit
Ducy _(HXTAL) ⁽²⁾	Duty cycle	—	30	50	70	%

(1). Based on characterization, not tested in production.

(2). Guaranteed by design, not tested in production.

Table 4-15. Low speed external clock (LXTAL) generated from a crystal/ceramic characteristics

Symbol	Parameter	Conditions	Min	Typ	Max	Unit
f _{LXTAL} ⁽¹⁾	Crystal or ceramic frequency	—	—	32.768	—	kHz
C _{LXTAL} ⁽²⁾⁽³⁾	Recommended matching capacitance on OSC32IN and OSC32OUT	—	—	15	—	pF
Ducy _(LXTAL) ⁽²⁾	Crystal or ceramic duty cycle	—	30	—	70	%
I _{DDLXTAL} ⁽¹⁾	Crystal or ceramic operating current	LXTALDRI[1:0] = 11	—	1.3	—	μA
		LXTALDRI[1:0] = 10	—	1.0	—	
		LXTALDRI[1:0] = 01	—	0.7	—	
		LXTALDRI[1:0] = 00	—	0.6	—	
t _{SULXTAL} ⁽¹⁾⁽⁴⁾	Crystal or ceramic startup time	—	—	1.8	—	s

(1). Based on characterization, not tested in production.

(2). Guaranteed by design, not tested in production.

(3). $C_{LXTAL1} = C_{LXTAL2} = 2 * (C_{LOAD} - C_S)$, For C_{LXTAL1} and C_{LXTAL2} , it is recommended matching capacitance on OSC32IN and OSC32OUT. For C_{LOAD} , it is crystal/ceramic load capacitance, provided by the crystal or ceramic manufacturer. For C_S , it is PCB and MCU pin stray capacitance.

(4). t_{SULXTAL} is the startup time measured from the moment it is enabled (by software) to the 32.768 kHz oscillator stabilization flags is SET. This value varies significantly with the crystal manufacturer.

Table 4-16. Low speed external user clock characteristics (LXTAL in bypass mode)

Symbol	Parameter	Conditions	Min	Typ	Max	Unit
f _{LXTAL_ext}	External clock source or oscillator frequency	—	—	32.768	1000	kHz
V _{LXTALH} ⁽¹⁾	OSC32IN input pin high level voltage	—	0.7 V _{DD}	—	V _{DD}	V
V _{LXTALL} ⁽¹⁾	OSC32IN input pin low level voltage		V _{SS}	—	0.3 V _{DD}	
t _{H/L(LXTAL)} ⁽¹⁾	OSC32IN high or low time	—	450	—	—	ns
t _{R/F(LXTAL)} ⁽¹⁾	OSC32IN rise or fall time	—	—	—	50	
C _{IN} ⁽¹⁾	OSC32IN input capacitance	—	—	5	—	pF
Ducy _(LXTAL) ⁽¹⁾	Duty cycle	—	30	50	70	%

(1). Guaranteed by design, not tested in production.

4.8 Internal clock characteristics

Table 4-17. High speed internal clock (IRC8M) characteristics

Symbol	Parameter	Conditions	Min	Typ	Max	Unit
f_{IRC8M}	High Speed Internal Oscillator (IRC8M) frequency	$V_{DD} = V_{DDA} = 3.3\text{ V}$	—	8	—	MHz
ACC_{IRC8M}	IRC8M oscillator Frequency accuracy, Factory-trimmed	$V_{DD} = V_{DDA} = 3.3\text{ V}$, $T_A = -40\text{ °C} \sim +85\text{ °C}^{(1)}$	-4.0	—	+5.0	%
		$V_{DD} = V_{DDA} = 3.3\text{ V}$, $T_A = 0\text{ °C} \sim +85\text{ °C}$	-2.0	—	+2.0	%
		$V_{DD} = V_{DDA} = 3.3\text{ V}$, $T_A = 25\text{ °C}$	-1.0	—	+1.0	%
	IRC8M oscillator Frequency accuracy, User trimming step ⁽¹⁾	—	—	0.5	—	%
$D_{ucy}_{IRC8M}^{(2)}$	IRC8M oscillator duty cycle	$V_{DD} = V_{DDA} = 3.3\text{ V}$, $f_{IRC8M} = 8\text{ MHz}$	45	50	55	%
$I_{DDAIRC8M}^{(1)}$	IRC8M oscillator operating current	$V_{DD} = V_{DDA} = 3.3\text{ V}$, $f_{IRC8M} = 8\text{ MHz}$	—	66	—	μA
$t_{SUIRC8M}^{(1)}$	IRC8M oscillator startup time	$V_{DD} = V_{DDA} = 3.3\text{ V}$, $f_{IRC8M} = 8\text{ MHz}$	—	2	—	μs

(1). Based on characterization, not tested in production.

(2). Guaranteed by design, not tested in production.

Table 4-18. Low speed internal clock (IRC40K) characteristics

Symbol	Parameter	Conditions	Min	Typ	Max	Unit
$f_{IRC40K}^{(1)}$	Low Speed Internal oscillator (IRC40K) frequency	$V_{DD} = V_{DDA} = 3.3\text{ V}$, $T_A = -40\text{ °C} \sim +85\text{ °C}$	20	40	45	kHz
$I_{DDAIRC40K}^{(2)}$	IRC40K oscillator operating current	$V_{DD} = V_{DDA} = 3.3\text{ V}$, $T_A = 25\text{ °C}$	—	0.4	—	μA
$t_{SUIRC40K}^{(2)}$	IRC40K oscillator startup time	$V_{DD} = V_{DDA} = 3.3\text{ V}$, $T_A = 25\text{ °C}$	—	110	—	μs

(1). Guaranteed by design, not tested in production.

(2). Based on characterization, not tested in production.

Table 4-19. High speed internal clock (IRC28M) characteristics

Symbol	Parameter	Conditions	Min	Typ	Max	Unit
f_{IRC28M}	High Speed Internal Oscillator (IRC28M) frequency	$V_{DD} = V_{DDA} = 3.3\text{ V}$	—	28	—	MHz
ACC_{IRC28M}	IRC28M oscillator Frequency accuracy, Factory-trimmed	$V_{DD} = V_{DDA} = 3.3\text{ V}$, $T_A = -40\text{ °C} \sim +85\text{ °C}^{(2)}$	-4.0	—	+5.0	%
		$V_{DD} = V_{DDA} = 3.3\text{ V}$, $T_A = 0\text{ °C} \sim +85\text{ °C}$	-2.0	—	+2.0	%
		$V_{DD} = V_{DDA} = 3.3\text{ V}$, $T_A = 25\text{ °C}$	-1.0	—	+1.0	%
	IRC28M oscillator Frequency accuracy, User trimming step ⁽¹⁾	—	—	0.5	—	%

Symbol	Parameter	Conditions	Min	Typ	Max	Unit
$D_{IRC28M}^{(2)(3)}$	IRC28M oscillator duty cycle	$V_{DD} = V_{DDA} = 3.3\text{ V}$, $f_{IRC28M} = 28\text{ MHz}$	45	50	55	%
$I_{DDAIRC28M}^{(1)(3)}$	IRC28M oscillator operating current	$V_{DD} = V_{DDA} = 3.3\text{ V}$, $f_{IRC28M} = 28\text{ MHz}$	—	120	—	μA
$t_{SUIRC28M}^{(1)(3)}$	IRC28M oscillator startup time	$V_{DD} = V_{DDA} = 3.3\text{ V}$, $f_{IRC28M} = 28\text{ MHz}$	—	1.6	—	μs

(1). Based on characterization, not tested in production.

(2). Guaranteed by design, not tested in production.

(3). HXTAL = 8 MHz, system clock = $f_{HCLK} = 108\text{ MHz}$.

Table 4-20. High speed internal clock (IRC48M) characteristics

Symbol	Parameter	Conditions	Min	Typ	Max	Unit
f_{IRC48M}	High Speed Internal Oscillator (IRC48M) frequency	$V_{DD} = V_{DDA} = 3.3\text{ V}$	—	48	—	MHz
ACC_{IRC48M}	IRC48M oscillator Frequency accuracy, Factory-trimmed	$V_{DD} = V_{DDA} = 3.3\text{ V}$, $T_A = -40\text{ }^\circ\text{C} \sim +85\text{ }^\circ\text{C}^{(1)}$	-4.0	—	+5.0	%
		$V_{DD} = V_{DDA} = 3.3\text{ V}$, $T_A = 0\text{ }^\circ\text{C} \sim +85\text{ }^\circ\text{C}$	-3.0	—	+3.0	%
		$V_{DD} = V_{DDA} = 3.3\text{ V}$, $T_A = 25\text{ }^\circ\text{C}$	-2.0	—	+2.0	%
	IRC48M oscillator Frequency accuracy, User trimming step ⁽¹⁾	—	—	0.12	—	%
$D_{IRC48M}^{(2)}$	IRC48M oscillator duty cycle	$V_{DD} = V_{DDA} = 3.3\text{ V}$, $f_{IRC28M} = 16\text{ MHz}$	45	50	55	%
$I_{DDAIRC48M}^{(1)}$	IRC48M oscillator operating current	$V_{DD} = V_{DDA} = 3.3\text{ V}$, $f_{IRC28M} = 16\text{ MHz}$	—	260	—	μA
$t_{SUIRC48M}^{(1)}$	IRC48M oscillator startup time	$V_{DD} = V_{DDA} = 3.3\text{ V}$, $f_{IRC28M} = 16\text{ MHz}$	—	1.5	—	μs

(1). Based on characterization, not tested in production.

(2). Guaranteed by design, not tested in production.

4.9 PLL characteristics

Table 4-21. PLL characteristics

Symbol	Parameter	Conditions	Min	Typ	Max	Unit
$f_{PLLIN}^{(1)}$	PLL input clock frequency	—	1	—	25	MHz
f_{PLLOUT}	PLL output clock frequency	—	16	—	108	MHz
f_{VCO}	PLL VCO output clock frequency	—	—	—	108	MHz
t_{LOCK}	PLL lock time	—	—	—	320	μs
$I_{DDA}^{(1)(3)}$	Current consumption on V_{DDA}	VCO freq = 108 MHz	—	320	—	μA

Jitter _{PLL} ⁽⁴⁾	Cycle to cycle Jitter (rms)	System clock	—	32.1	—	ps
	Cycle to cycle Jitter (peak to peak)		—	255.6	—	

- (1). Based on characterization, not tested in production.
(2). Guaranteed by design, not tested in production.
(3). System clock = IRC8M = 8 MHz, f_{PLL}OUT = 108 MHz.
(4). Value given with main PLL running.

4.10 Memory characteristics

Table 4-22. Flash memory characteristics

Symbol	Parameter	Conditions	Min ⁽¹⁾	Typ ⁽¹⁾	Max ⁽²⁾	Unit
PE _{CYC}	Number of guaranteed program /erase cycles before failure (Endurance)	—	100	—	—	kcycles
t _{RET}	Data retention time	—	—	20	—	years
wt _{PROG}	Word programming time	T _A = -40 °C ~ +85 °C	—	37.5	86	μs
t _{ERASE}	Page erase time	T _A = -40 °C ~ +85 °C	—	45	300	ms
t _{MERASE(64KB)}	Mass erase time	T _A = -40 °C ~ +85 °C	—	0.5	1.6	s

- (1). Based on characterization, not tested in production.
(2). Guaranteed by design, not tested in production.

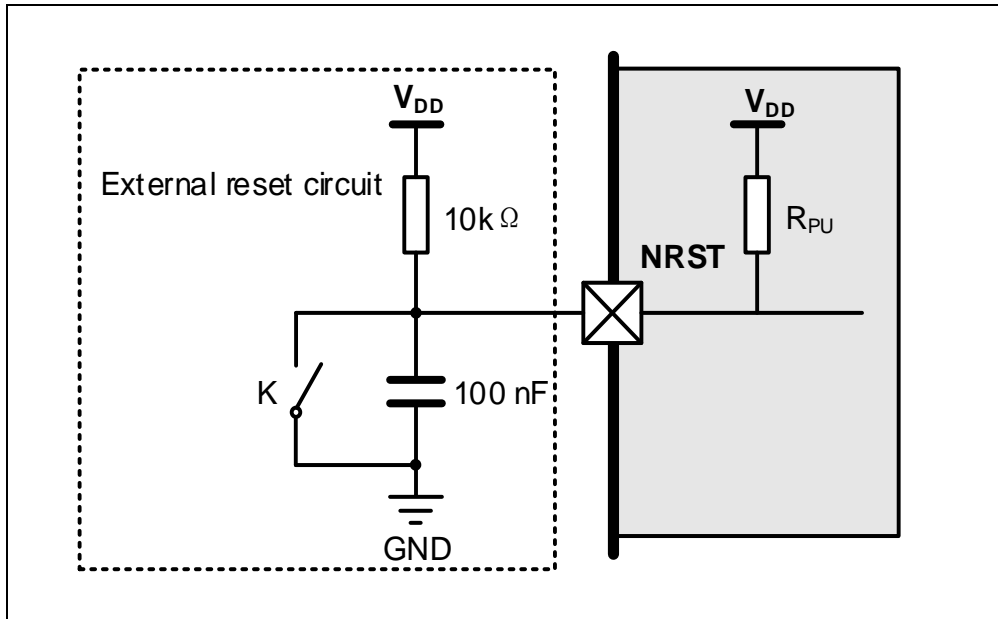
4.11 NRST pin characteristics

Table 4-23. NRST pin characteristics

Symbol	Parameter	Conditions	Min	Typ	Max	Unit
V _{IL(NRST)} ⁽¹⁾	NRST Input low level voltage	2.6 V ≤ V _{DD} = V _{DDA} ≤ 3.6 V	-0.5	—	0.3 V _{DD}	V
V _{IH(NRST)} ⁽¹⁾	NRST Input high level voltage		0.7 V _{DD}	—	V _{DD} + 0.5	
V _{hyst}	Schmidt trigger Voltage hysteresis		—	—	140	—
R _{pu} ⁽²⁾	Pull-up equivalent resistor	—	—	40	—	kΩ

- (1). Based on characterization, not tested in production.
(2). Guaranteed by design, not tested in production.

Figure 4-4. Recommended external NRST pin circuit



4.12 GPIO characteristics

Table 4-24. I/O port DC characteristics

Symbol	Parameter		Conditions	Min	Typ	Max	Unit
V _{IL}	Standard IO Low level input voltage		$2.6\text{ V} \leq V_{DD} = V_{DDA} \leq 3.6\text{ V}$	—	—	$0.3 V_{DD}$	V
	5V-tolerant IO Low level input voltage		$2.6\text{ V} \leq V_{DD} = V_{DDA} \leq 3.6\text{ V}$	—	—	$0.3 V_{DD}$	V
V _{IH}	Standard IO High level input voltage		$2.6\text{ V} \leq V_{DD} = V_{DDA} \leq 3.6\text{ V}$	$0.7 V_{DD}$	—	—	V
	5V-tolerant IO High level input voltage		$2.6\text{ V} \leq V_{DD} = V_{DDA} \leq 3.6\text{ V}$	$0.7 V_{DD}$	—	—	V
V _{OL} ⁽¹⁾	Low level output voltage for 8 IO Pins (each I _{IO} = +8 mA)		V _{DD} = 2.6 V	—	—	0.21	V
			V _{DD} = 3.3 V	—	—	0.19	
			V _{DD} = 3.6 V	—	—	0.18	
V _{OL}	Low level output voltage for 8 IO Pins (each I _{IO} = +20 mA)		V _{DD} = 2.6 V	—	—	0.54	V
			V _{DD} = 3.3 V	—	—	0.47	
			V _{DD} = 3.6 V	—	—	0.45	
V _{OH}	High level output voltage for 8 IO Pins (each I _{IO} = +8 mA)		V _{DD} = 2.6 V	2.40	—	—	V
			V _{DD} = 3.3 V	3.10	—	—	
			V _{DD} = 3.6 V	3.40	—	—	
V _{OH} ⁽¹⁾	High level output voltage for 8 IO Pins (each I _{IO} = +20 mA)		V _{DD} = 2.6 V	1.95	—	—	V
			V _{DD} = 3.3 V	2.73	—	—	
			V _{DD} = 3.6 V	3.07	—	—	
R _{PU} ⁽²⁾	Internal pull-up resistor	All pins	V _{IN} = V _{SS}	30	40	50	kΩ
		PA10	—	7.5	10	13.5	kΩ
R _{PD} ⁽²⁾	Internal pull-down resistor	All pins	V _{IN} = V _{DD}	30	40	50	kΩ
		PA10	—	7.5	10	13.5	kΩ

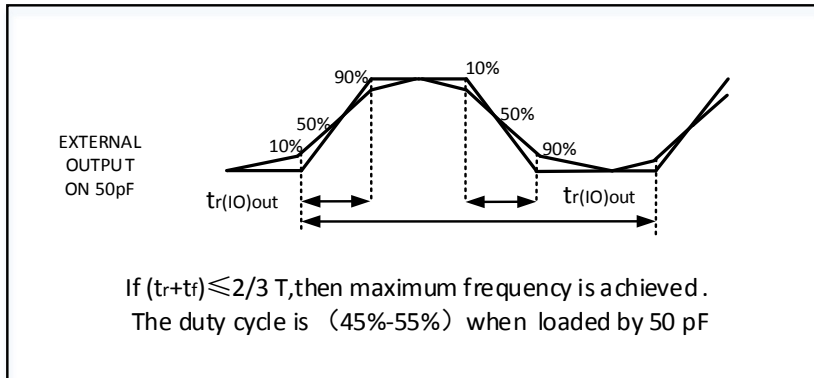
(1). Based on characterization, not tested in production.

(2). Guaranteed by design, not tested in production.

Table 4-25. I/O port AC characteristics ^{(1) (2)}

GPIOx_OSPD[1:0] bit value ⁽³⁾	Parameter	Conditions	Max	Unit
GPIOx_OSPD0->OSPDy[1:0] = X0 (IO_Speed = 2 MHz)	Maximum frequency ⁽⁴⁾	V _{DD} = 3.3 V, C _L = 10 pF	20	MHz
		V _{DD} = 3.3 V, C _L = 30 pF	10	
		V _{DD} = 3.3 V, C _L = 50 pF	8	
GPIOx_OSPD0->OSPDy[1:0] = 01 (IO_Speed = 10 MHz)	Maximum frequency ⁽⁴⁾	V _{DD} = 3.3 V, C _L = 10 pF	46	MHz
		V _{DD} = 3.3 V, C _L = 30 pF	40	
		V _{DD} = 3.3 V, C _L = 50 pF	30	
GPIOx_OSPD0->OSPDy[1:0] = 11 (IO_Speed = 50 MHz)	Maximum frequency ⁽⁴⁾	V _{DD} = 3.3 V, C _L = 10 pF	128	MHz
		V _{DD} = 3.3 V, C _L = 30 pF	120	
		V _{DD} = 3.3 V, C _L = 50 pF	112	
GPIOx_OSPD0->OSPDy[1:0] = 11 and GPIOx_OSPD1->SPDy = 1 (IO_Speed mode = MAX)	Maximum frequency ⁽⁴⁾	V _{DD} = 3.3 V, C _L = 10 pF	144	MHz
		V _{DD} = 3.3 V, C _L = 30 pF	128	
		V _{DD} = 3.3 V, C _L = 50 pF	116	

- (1). Based on characterization, not tested in production.
- (2). Unless otherwise specified, all test results given for $T_A = 25\text{ }^\circ\text{C}$.
- (3). The I/O speed is configured using the GPIOx_OSPD0->OSPDy [1:0] bits. Refer to the GD32F3x0 user manual which is selected to set the GPIO port output speed.
- (4). The maximum frequency is defined in in Figure 4-5 and maximum frequency cannot exceed 108 MHz.

Figure 4-5. I/O port AC characteristics definition


4.13 ADC characteristics

Table 4-26. ADC characteristics

Symbol	Parameter	Conditions	Min	Typ	Max	Unit
$V_{DDA}^{(1)}$	Operating voltage	—	2.6	3.3	3.6	V
$V_{IN}^{(1)}$	ADC input voltage range	—	0	—	V_{DDA}	V
$f_{ADC}^{(1)}$	ADC clock	—	0.1	—	40	MHz
$f_S^{(1)}$	Sampling rate	12-bit	0.007	—	2.86	MSPS
		10-bit	0.008	—	3.33	
		8-bit	0.01	—	4.00	
		6-bit	0.011	—	5.00	
$V_{AIN}^{(1)}$	Analog input voltage	16 external; 2 internal	0	—	V_{DDA}	V
$R_{AIN}^{(2)}$	External input impedance	See Equation 1	—	—	24	k Ω
$R_{ADC}^{(2)}$	Input sampling switch resistance	—	—	—	0.2	k Ω
$C_{ADC}^{(2)}$	Input sampling capacitance	No pin/pad capacitance included	—	—	5.5	pF
$t_{CAL}^{(2)}$	Calibration time	$f_{ADC} = 40\text{ MHz}$	—	3.12	—	μs
$t_S^{(2)}$	Sampling time	$f_{ADC} = 40\text{ MHz}$	0.036	—	5.7	μs
$t_{CONV}^{(2)}$	Total conversion time(including sampling time)	12-bit	—	14	—	$1/f_{ADC}$
		10-bit	—	12	—	
		8-bit	—	10	—	
		6-bit	—	8	—	
$t_{SU}^{(2)}$	Startup time	—	—	—	1	μs

(1). Based on characterization, not tested in production.

(2). Guaranteed by design, not tested in production.

Equation 1 : $R_{AIN\ max}$ formula $R_{AIN} < \frac{T_s}{f_{ADC} \cdot C_{ADC} \cdot \ln(2^{N+2})} - R_{ADC}$

The formula above (Equation 1) is used to determine the maximum external impedance allowed for an error below 1/4 of LSB. Here N = 12 (from 12-bit resolution).

Table 4-27. ADC R_{AIN} max for $f_{ADC} = 40$ MHz⁽¹⁾

T_s (cycles)	t_s (μ s)	R_{AINmax} (k Ω)
1.5	0.04	0.47
7.5	0.18	3.15
13.5	0.32	5.82
28.5	0.68	12.55
41.5	0.99	18.35
55.5	1.32	24.55
71.5	1.70	NA
239.5	5.70	NA

(1). Based on characterization, not tested in production.

Table 4-28. ADC dynamic accuracy at $f_{ADC} = 28$ MHz⁽¹⁾

Symbol	Parameter	Test conditions	Min	Typ	Max	Unit
ENOB	Effective number of bits	$f_{ADC} = 28$ MHz	—	10.3	—	bits
SNDR	Signal-to-noise and distortion ratio	$V_{DDA} = V_{DD} = 3.3$ V	—	63.8	—	
SNR	Signal-to-noise ratio	Input Frequency = 20 kHz	—	64.5	—	
THD	Total harmonic distortion	Temperature = 25°C	—	-67.5	—	

(1). Based on characterization, not tested in production.

Table 4-29. ADC dynamic accuracy at $f_{ADC} = 30$ MHz⁽¹⁾

Symbol	Parameter	Test conditions	Min	Typ	Max	Unit
ENOB	Effective number of bits	$f_{ADC} = 30$ MHz	—	10.3	—	bits
SNDR	Signal-to-noise and distortion ratio	$V_{DDA} = V_{DD} = 3.3$ V	—	63.8	—	
SNR	Signal-to-noise ratio	Input Frequency = 20 kHz	—	64.5	—	
THD	Total harmonic distortion	Temperature = 25 °C	—	-67.5	—	

(1). Based on characterization, not tested in production.

Table 4-30. ADC dynamic accuracy at $f_{ADC} = 36$ MHz⁽¹⁾

Symbol	Parameter	Test conditions	Min	Typ	Max	Unit
ENOB	Effective number of bits	$f_{ADC} = 36$ MHz	10.3	10.4	—	bits
SNDR	Signal-to-noise and distortion ratio	$V_{DDA} = V_{DD} = 3.3$ V	63.8	64.4	—	
SNR	Signal-to-noise ratio	Input Frequency = 20 kHz	64.2	65	—	
THD	Total harmonic distortion	Temperature = 25°C	-70	-72	—	

(1). Based on characterization, not tested in production.

Table 4-31. ADC static accuracy at $f_{ADC} = 14$ MHz⁽¹⁾

Symbol	Parameter	Test conditions	Typ	Max	Unit
Offset	Offset error	$f_{ADC} = 14$ MHz	± 1	—	LSB
DNL	Differential linearity error	$V_{DDA} = V_{DD} = 3.3$ V	± 1	—	

INL	Integral linearity error		±3	—	
-----	--------------------------	--	----	---	--

(1). Based on characterization, not tested in production.

4.14 Temperature sensor characteristics

Table 4-32. Temperature sensor characteristics ⁽¹⁾

Symbol	Parameter	Min	Typ	Max	Unit
T _L	VSENSE linearity with temperature	—	±1.5	—	°C
Avg_Slope	Average slope	—	4.3	—	mV/°C
V ₂₅	Voltage at 25 °C	—	1.45	—	V
t _{S_temp} ⁽²⁾	ADC sampling time when reading the temperature	—	17.1	—	µs

(1). Based on characterization, not tested in production.

(2). Shortest sampling time can be determined in the application by multiple iterations.

4.15 Comparators characteristics

Table 4-33. CMP characteristics

Symbol	Parameter	Conditions	Min	Typ	Max ⁽¹⁾	Unit
V _{DDA}	Operating voltage	—	2.6	3.3	3.6	V
V _{IN}	Input voltage range	—	0	—	V _{DDA}	V
t _D	Propagation delay for 200mv step with 100mV overdrive	Ultra low power mode	—	0.93	—	µs
		Low power mode	—	0.47	—	µs
		Medium power mode	—	0.17	—	µs
		High speed power mode	—	37	—	ns
	Propagation delay for full range step with 100mV overdrive	Ultra low power mode	—	1.57	—	µs
		Low power mode	—	0.80	—	µs
		Medium power mode	—	0.21	—	µs
		High speed power mode	—	46	—	ns
I _{DD}	Current consumption	Ultra low power mode	—	1.53	—	µA
		Low power mode	—	2.84	—	
		Medium power mode	—	8.11	—	
		High speed power mode	—	66.00	—	
V _{offset}	Offset error	—	—	±12	—	mV
V _{hyst}	Hysteresis Voltage	No Hysteresis	—	0	—	mV
		Low Hysteresis	—	10	—	
		Medium Hysteresis	—	18	—	
		High Hysteresis	—	36	—	

(1). Guaranteed by design, not tested in production.

4.16 DAC characteristics

Table 4-34. DAC characteristics

Symbol	Parameter	Conditions	Min	Typ	Max	Unit
$V_{DDA}^{(1)}$	Operating voltage	—	2.6	3.3	3.6	V
$R_{LOAD}^{(2)}$	Load resistance	Resistive load with buffer ON	5	—	—	k Ω
$R_o^{(2)}$	Impedance output with buffer OFF	—	—	—	15	k Ω
$C_{LOAD}^{(2)}$	Load capacitance	No pin/pad capacitance included	—	—	50	pF
DAC_OUT min ⁽²⁾	Lower DAC_OUT voltage with buffer ON	—	0.2	—	—	V
DAC_OUT max ⁽²⁾	Higher DAC_OUT voltage with buffer ON	—	—	—	$V_{DDA} - 0.2$	V
DAC_OUT min ⁽²⁾	Lower DAC_OUT voltage with buffer OFF	—	—	0.5	—	mV
DAC_OUT max ⁽²⁾	Higher DAC_OUT voltage with buffer OFF	—	—	—	$V_{DDA} - 1LSB$	V
$I_{DDA}^{(1)}$	DAC current consumption in quiescent mode	With no load, middle code(0x800) on the input, $V_{REF+} = 3.6$ V	—	380	—	μ A
		With no load, worst code(0xF1C) on the input, $V_{REF+} = 3.6$ V	—	460	—	μ A
$I_{DDVREF+}^{(1)}$	DAC current consumption in quiescent mode	With no load, middle code(0x800) on the input, $V_{REF+} = 3.6$ V	—	120	—	μ A
		With no load, worst code(0xF1C) on the input, $V_{REF+} = 3.6$ V	—	320	—	μ A
DNL ⁽¹⁾	Differential non-linearity error	DAC in 12-bit mode	—	—	± 3	LSB
INL ⁽¹⁾	Integral non-linearity	DAC in 12-bit mode	—	—	± 4	LSB
Offset ⁽¹⁾	Offset error	DAC in 12-bit mode	—	—	± 12	LSB
GE ⁽¹⁾	Gain error	DAC in 12-bit mode	—	—	± 0.5	%
$T_{settle}^{(1)}$	Settling time	$C_{LOAD} \leq 50$ pF, $R_{LOAD} \geq 5$ k Ω	—	0.3	1	μ s
$T_{wakeup}^{(2)}$	Wakeup from off state	—	—	5	10	μ s
Update rate ⁽²⁾	Max frequency for a correct DAC_OUT change from code i to $i \pm 1LSBs$	$C_{LOAD} \leq 50$ pF, $R_{LOAD} \geq 5$ k Ω	—	—	4	MS/s
PSRR ⁽²⁾	Power supply rejection	—	55	80	—	dB

Symbol	Parameter	Conditions	Min	Typ	Max	Unit
	ratio (to V_{DDA})					

- (1). Based on characterization, not tested in production.
(2). Guaranteed by design, not tested in production.

4.17 I2C characteristics

Table 4-35. I2C characteristics ⁽¹⁾ ⁽²⁾ ⁽³⁾

Symbol	Parameter	Condi- tions	Standard mode		Fast mode		Fast mode plus		Unit
			Min	Max	Min	Max	Min	Max	
$t_{SCL(H)}$	SCL clock high time	—	4.0	—	0.6	—	0.2	—	μ s
$t_{SCL(L)}$	SCL clock low time	—	4.7	—	1.3	—	0.5	—	μ s
$t_{su(SDA)}$	SDA setup time	—	2	—	0.8	—	0.1	—	μ s
$t_h(SDA)$	SDA data hold time	—	250	—	250	—	130	—	ns
$t_{r(SDA/SCL)}$	SDA and SCL rise time	—	—	1000	20	300	—	120	ns
$t_{f(SDA/SCL)}$	SDA and SCL fall time	—	4	300	2	300	2	120	ns
$t_h(STA)$	Start condition hold time	—	4.0	—	0.6	—	0.26	—	μ s

- (1). Guaranteed by design, not tested in production.
(2). Test condition: GPIO_SPEED set 2MHz and external pull-up resistor value is 1k Ω when operate EEPROM with I2C.
(3). The device should provide a data hold time of 300 ns at least in order to bridge the undefined region of the falling edge of SCL.

4.18 SPI characteristics

Table 4-36. Standard SPI characteristics ⁽¹⁾

Symbol	Parameter	Conditions	Min	Typ	Max	Unit
f_{SCK}	SCK clock frequency	—	—	—	27	MHz
$t_{SCK(H)}$	SCK clock high time	Master mode, $f_{PCLKx} = 108$ MHz, presc = 8	35.04	37.04	39.04	ns
$t_{SCK(L)}$	SCK clock low time	Master mode, $f_{PCLKx} = 108$ MHz, presc = 8	35.04	37.04	39.04	ns
SPI master mode						
$t_{V(MO)}$	Data output valid time	—	—	5	6	ns
$t_{H(MO)}$	Data output hold time	—	3	—	—	ns
$t_{SU(MI)}$	Data input setup time	—	1	—	—	ns

Symbol	Parameter	Conditions	Min	Typ	Max	Unit
$t_{H(MI)}$	Data input hold time	—	0	—	—	ns
SPI slave mode						
$t_{SU(NSS)}$	NSS enable setup time	—	0	—	—	ns
$t_{H(NSS)}$	NSS enable hold time	—	1	—	—	ns
$t_{A(SO)}$	Data output access time	—	9	—	13	ns
$t_{DIS(SO)}$	Data output disable time	—	9	—	13	ns
$t_{V(SO)}$	Data output valid time	—	—	14	16	ns
$t_{H(SO)}$	Data output hold time	—	11	—	—	ns
$t_{SU(SI)}$	Data input setup time	—	0	—	—	ns
$t_{H(SI)}$	Data input hold time	—	3	—	—	ns

(1) .Based on characterization, not tested in production.

4.19 I2S characteristics

Table 4-37. I2S characteristics ⁽¹⁾

Symbol	Parameter	Conditions	Min	Typ	Max	Unit
f_{CK}	Clock frequency	Master mode (data: 16 bits, Audio frequency = 96 kHz)	3.084	3.086	3.088	MHz
		Slave mode	0	—	10	
t_H	Clock high time	—	162	—	—	ns
t_L	Clock low time		162	—	—	ns
$t_{V(WS)}$	WS valid time	Master mode	0	—	—	ns
$t_{H(WS)}$	WS hold time	Master mode	0	—	—	ns
$t_{SU(WS)}$	WS setup time	Slave mode	0	—	—	ns
$t_{H(WS)}$	WS hold time	Slave mode	2	—	—	ns
$DuCy_{(sck)}$	I2S slave input clock duty cycle	Slave mode	—	50	—	%
$t_{SU(SD_MR)}$	Data input setup time	Master mode	2	—	—	ns
$t_{SU(SD_SR)}$	Data input setup time	Slave mode	0	—	—	ns
$t_{H(SD_MR)}$	Data input hold time	Master receiver	0	—	—	ns
$t_{H(SD_SR)}$		Slave receiver	1	—	—	ns
$t_{V(SD_ST)}$	Data output valid time	Slave transmitter (after enable edge)	—	—	12	ns
$t_{H(SD_ST)}$	Data output hold time	Slave transmitter (after enable edge)	7	—	—	ns
$t_{V(SD_MT)}$	Data output valid time	Master transmitter (after enable edge)	—	—	7	ns
$t_{H(SD_MT)}$	Data output hold time	Master transmitter (after enable edge)	4	—	—	ns

(1) .Based on characterization, not tested in production.

4.20 USART characteristics

Table 4-38. USART characteristics ⁽¹⁾

Symbol	Parameter	Conditions	Min	Typ	Max	Unit
f_{SCK}	SCK clock frequency	$f_{PCLKx} = 108 \text{ MHz}$	—	—	54	MHz
$t_{SCK(H)}$	SCK clock high time	$f_{PCLKx} = 108 \text{ MHz}$	9.26	—	—	ns
$t_{SCK(L)}$	SCK clock low time	$f_{PCLKx} = 108 \text{ MHz}$	9.26	—	—	ns

(1). Based on characterization, not tested in production.

4.21 USBFS characteristics

Table 4-39. USB FS start up time

Symbol	Parameter	Max	Unit
$t_{STARTUP}^{(1)}$	USBFS startup time	1	μs

(1). Guaranteed by design, not tested in production.

Table 4-40. USBFS DC electrical characteristics

Symbol	Parameter	Conditions	Min	Typ	Max	Unit	
Input levels ⁽¹⁾	V_{DD}	USBFS operating voltage	—	3	—	3.6	V
	V_{DI}	Differential input sensitivity	—	0.2	—		V
	V_{CM}	Differential common mode range	Includes V_{DI} range	0.8	—	2.5	
	V_{SE}	Single ended receiver threshold	—	1.3	—	2.0	
Output Levels ⁽²⁾	V_{OL}	Static output level low	R_L of 1.0K to 3.6 V	—	0.06	0.3	V
	V_{OH}	Static output level high	R_L of 15 K to V_{SS}	2.8	3.3	3.6	
$R_{PD}^{(2)}$	PA11, PA12(USB_DM/DP)	$V_{IN} = V_{DD}$	17	21	24	k Ω	
	PA9(USB_VBUS)		0.65	—	2.0		
$R_{PU}^{(2)}$	PA11, PA12(USB_DM/DP)	$V_{IN} = V_{SS}$	1.5	1.6	2.1		
	PA9(USB_VBUS)		0.25	0.35	0.55		

(1). Guaranteed by design, not tested in production.

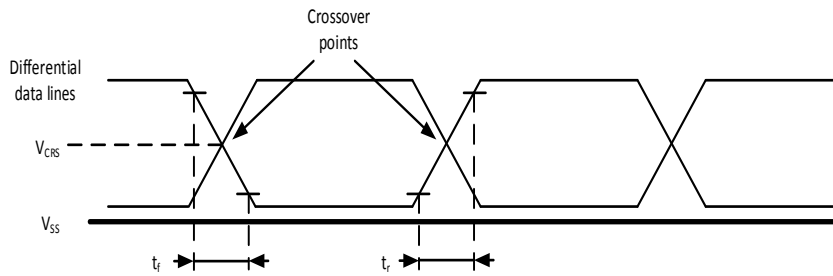
(2). Based on characterization, not tested in production.

Table 4-41. USB FS electrical characteristics ⁽¹⁾

Symbol	Parameter	Conditions	Min	Typ	Max	Unit
t_R	Rise time	$C_L = 50 \text{ pF}$	4	—	20	ns
t_F	Fall time	$C_L = 50 \text{ pF}$	4	—	20	ns
t_{RFM}	Rise/ fall time matching	t_R / t_F	90	—	110	%
V_{CRS}	Output signal crossover voltage	—	1.3	—	2.0	V

(1). Guaranteed by design, not tested in production.

Figure 4-6. USB FS timings: definition of data signal rise and fall time



4.22 TIMER characteristics

Table 4-42. TIMER characteristics ⁽¹⁾

Symbol	Parameter	Conditions	Min	Max	Unit
t_{res}	Timer resolution time	—	1	—	$t_{TIMERxCLK}$
		$f_{TIMERxCLK} = 108 \text{ MHz}$	9.26	—	ns
f_{EXT}	Timer external clock frequency	—	0	$f_{TIMERxCLK}/2$	MHz
		$f_{TIMERxCLK} = 108 \text{ MHz}$	0	54	MHz
RES	Timer resolution	—	—	16/32	bit
$t_{COUNTER}$	16-bit counter clock period when internal clock is selected	—	1	65536	$t_{TIMERxCLK}$
		$f_{TIMERxCLK} = 108 \text{ MHz}$	0.0093	606.8	μs
t_{MAX_COUNT}	Maximum possible count	—	—	65536×65536	$t_{TIMERxCLK}$
		$f_{TIMERxCLK} = 108 \text{ MHz}$	—	39.8	s

(1). Guaranteed by design, not tested in production.

4.23 WDGT characteristics

Table 4-43. FWDGT min/max timeout period at 40 kHz (IRC40K) ⁽¹⁾

Prescaler divider	PR[2:0] bits	Min timeout RLD[11:0] = 0x000	Max timeout RLD[11:0] = 0xFFFF	Unit
1/4	000	0.1	409.6	ms
1/8	001	0.2	819.2	
1/16	010	0.4	1638.4	
1/32	011	0.8	3276.8	
1/64	100	1.6	6553.6	
1/128	101	3.2	13107.2	
1/256	110 or 111	6.4	26214.4	

(1). Guaranteed by design, not tested in production.

Table 4-44. WWDGT min-max timeout value at 108 MHz (f_{PCLK1}) ⁽¹⁾

Prescaler divider	PSC[2:0]	Min timeout value CNT[6:0] = 0x40	Unit	Max timeout value CNT[6:0] = 0x7F	Unit
1/1	00	37.9	μs	2.43	ms
1/2	01	75.9		4.85	
1/4	10	151.7		9.71	
1/8	11	303.4		19.42	

(1). Guaranteed by design, not tested in production.

4.24 Parameter conditions

Unless otherwise specified, all values given for $V_{DD} = V_{DDA} = 3.3\text{ V}$, $T_A = 25\text{ }^{\circ}\text{C}$.

5 Package information

5.1 LQFP48 package outline dimensions

Figure 5-1. LQFP48 package outline

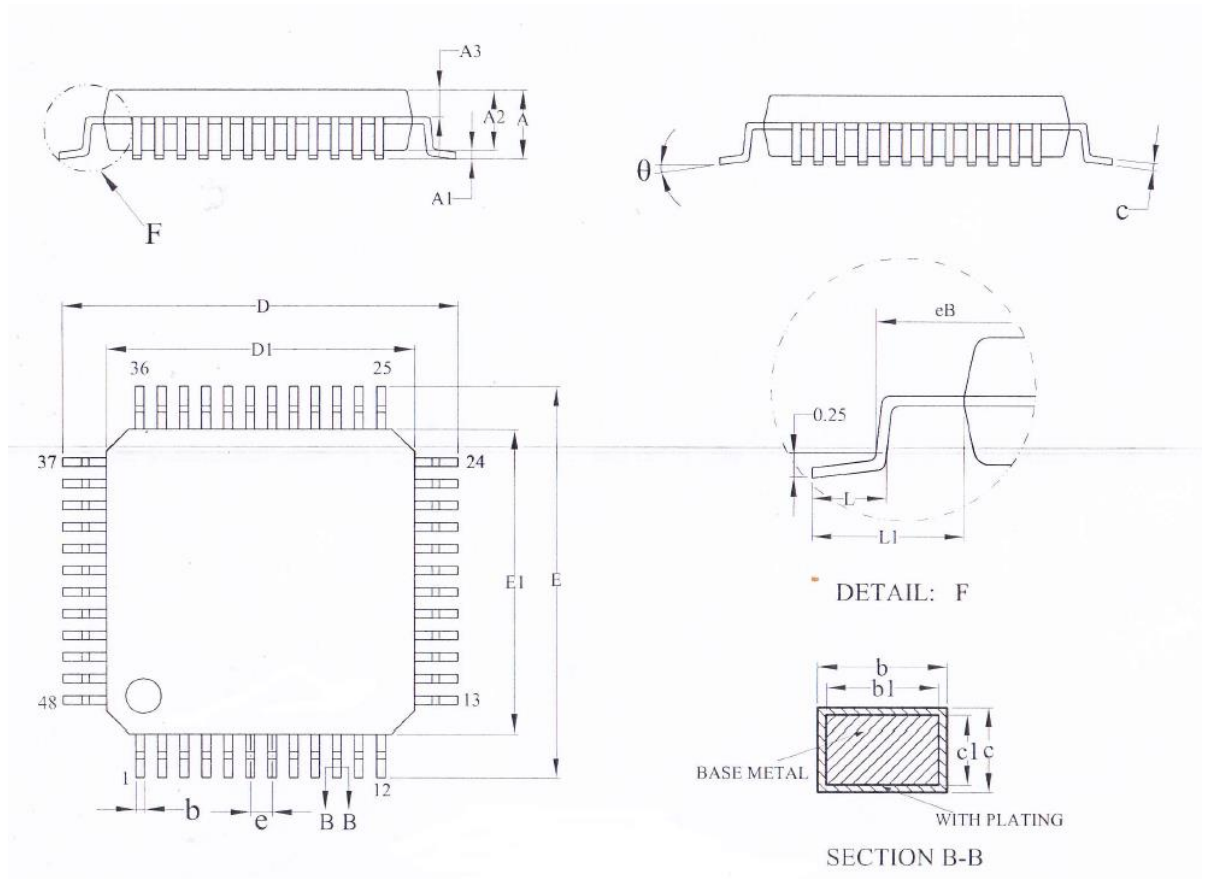


Table 5-1. LQFP48 package dimensions

Symbol	Min	Typ	Max
A	—	—	1.60
A1	0.05	—	0.15
A2	1.35	1.40	1.45
A3	0.59	0.64	0.69
b	0.18	—	0.26
b1	0.17	0.20	0.23
c	0.13	—	0.17
c1	0.12	0.13	0.14
D	8.80	9.00	9.20
D1	6.90	7.00	7.10
E	8.80	9.00	9.20

eB	8.10	—	8.25
E1	6.90	7.00	7.10
e	0.50 BSC		
L	0.45	—	0.75
L1	1.00 REF		
θ	0	—	7°

(Original dimensions are in millimeters)

5.1. QFN32 package outline dimensions

Figure 5-2 QFN32 package outline

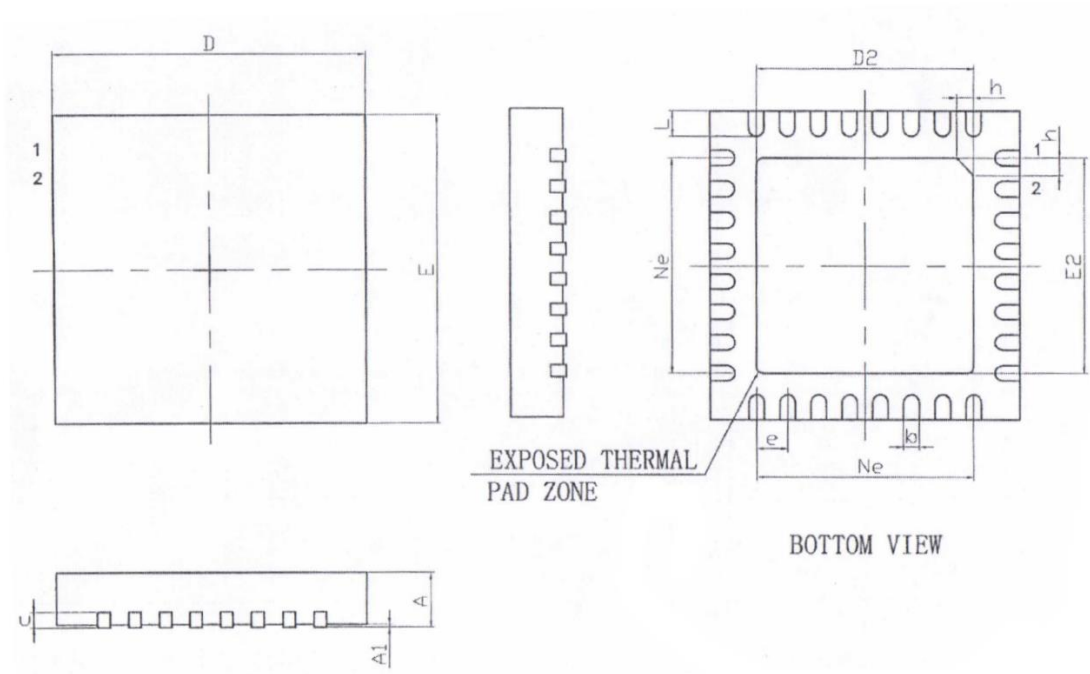


Table 5-2. QFN32 package dimensions

Symbol	Min	Typ	Max
A	0.70	0.75	0.80
A1	—	0.02	0.05
D	4.90	5.00	5.10
D2	3.40	3.50	3.60
E	4.90	5.00	5.10
E2	3.40	3.50	3.60
b	0.18	0.25	0.30
c	0.18	0.20	0.25
e	0.50 BSC		
Ne	3.50 BSC		
L	0.35	0.40	0.45
h	0.30	0.35	0.40

(Original dimensions are in millimeters)

5.2. QFN28 package outline dimensions

Figure 5-3 QFN28 package outline

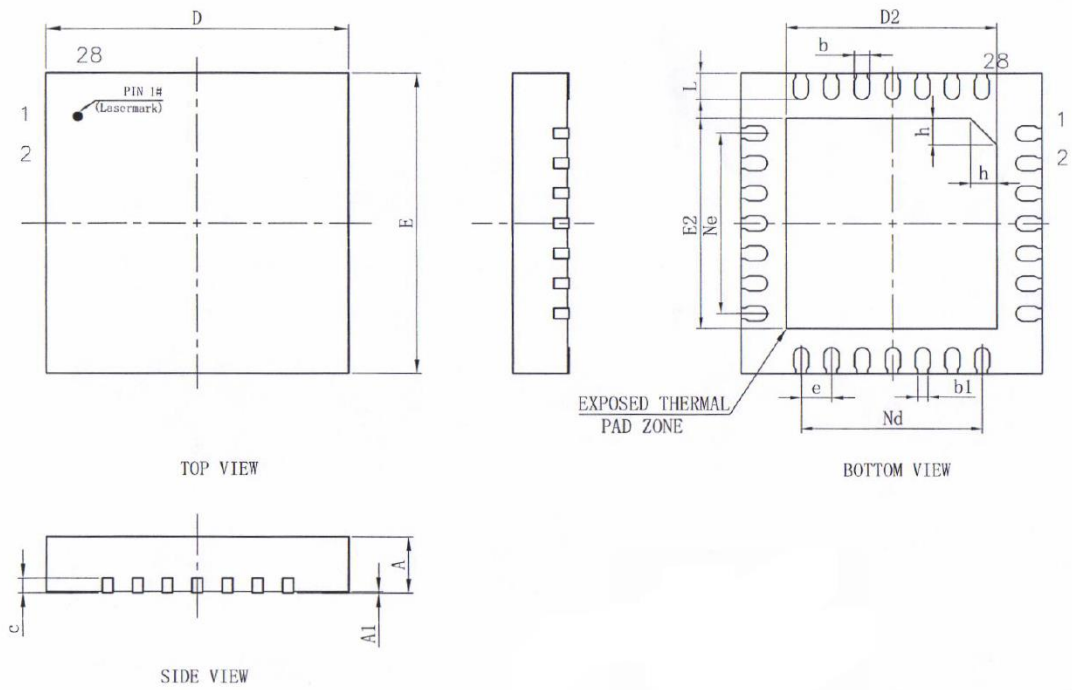


Table 5-3. QFN28 package dimensions

Symbol	Min	Typ	Max
A	0.70	0.75	0.80
A1	0	0.02	0.05
b	0.15	0.20	0.25
b1	0.14 REF		
c	0.18	0.20	0.25
D	3.90	4.00	4.10
D2	2.70	2.80	2.90
E	3.90	4.00	4.10
E2	2.70	2.80	2.90
e	0.40 BSC		
Ne	2.40 BSC		
Nd	2.40 BSC		
L	0.25	0.35	0.45
h	0.30	0.35	0.40

(Original dimensions are in millimeters)

6 Ordering information

Table 6-1. Part ordering code for GD32F350xx devices

Ordering code	Flash (KB)	Package	Package type	Temperature operating range
GD32F350G4U6	16	QFN28	Green	Industrial -40 °C to +85 °C
GD32F350G6U6	32	QFN28	Green	Industrial -40 °C to +85 °C
GD32F350G8U6	64	QFN28	Green	Industrial -40 °C to +85 °C
GD32F350K4U6	16	QFN32	Green	Industrial -40 °C to +85 °C
GD32F350K6U6	32	QFN32	Green	Industrial -40 °C to +85 °C
GD32F350K8U6	64	QFN32	Green	Industrial -40 °C to +85 °C
GD32F350C4T6	16	LQFP48	Green	Industrial -40 °C to +85 °C
GD32F350C6T6	32	LQFP48	Green	Industrial -40 °C to +85 °C
GD32F350C8T6	64	LQFP48	Green	Industrial -40 °C to +85 °C
GD32F350CBT6	128	LQFP48	Green	Industrial -40 °C to +85 °C
GD32F350R4T6	16	LQFP64	Green	Industrial -40 °C to +85 °C
GD32F350R6T6	32	LQFP64	Green	Industrial -40 °C to +85 °C
GD32F350R8T6	64	LQFP64	Green	Industrial -40 °C to +85 °C
GD32F350RBT6	128	LQFP64	Green	Industrial -40 °C to +85 °C

7 Revision history

Table 7-1. Revision history

Revision No.	Description	Date
1.0	Initial Release	Jun.6, 2017
1.1	Characteristics values updated	Jun.20, 2017
1.2	Repair history accumulation error	Jan.24, 2018
1.3	Characteristics values updated	Jun.1, 2019
1.4	Characteristics values, logo, package information and ordering information updated	Oct.8, 2019

Important Notice

This document is the property of GigaDevice Semiconductor Inc. and its subsidiaries (the "Company"). This document, including any product of the Company described in this document (the "Product"), is owned by the Company under the intellectual property laws and treaties of the People's Republic of China and other jurisdictions worldwide. The Company reserves all rights under such laws and treaties and does not grant any license under its patents, copyrights, trademarks, or other intellectual property rights. The names and brands of third party referred thereto (if any) are the property of their respective owner and referred to for identification purposes only.

The Company makes no warranty of any kind, express or implied, with regard to this document or any Product, including, but not limited to, the implied warranties of merchantability and fitness for a particular purpose. The Company does not assume any liability arising out of the application or use of any Product described in this document. Any information provided in this document is provided only for reference purposes. It is the responsibility of the user of this document to properly design, program, and test the functionality and safety of any application made of this information and any resulting product. Except for customized products which has been expressly identified in the applicable agreement, the Products are designed, developed, and/or manufactured for ordinary business, industrial, personal, and/or household applications only. The Products are not designed, intended, or authorized for use as components in systems designed or intended for the operation of weapons, weapons systems, nuclear installations, atomic energy control instruments, combustion control instruments, airplane or spaceship instruments, transportation instruments, traffic signal instruments, life-support devices or systems, other medical devices or systems (including resuscitation equipment and surgical implants), pollution control or hazardous substances management, or other uses where the failure of the device or Product could cause personal injury, death, property or environmental damage ("Unintended Uses"). Customers shall take any and all actions to ensure using and selling the Products in accordance with the applicable laws and regulations. The Company is not liable, in whole or in part, and customers shall and hereby do release the Company as well as its suppliers and/or distributors from any claim, damage, or other liability arising from or related to all Unintended Uses of the Products. Customers shall indemnify and hold the Company as well as its suppliers and/or distributors harmless from and against all claims, costs, damages, and other liabilities, including claims for personal injury or death, arising from or related to any Unintended Uses of the Products.

Information in this document is provided solely in connection with the Products. The Company reserves the right to make changes, corrections, modifications or improvements to this document and Products and services described herein at any time, without notice.

X-ON Electronics

Largest Supplier of Electrical and Electronic Components

Click to view similar products for [32-bit Microcontrollers - MCU category](#):

Click to view products by [Gigadevice manufacturer](#):

Other Similar products are found below :

[MCF51AC256AVFUE](#) [MCF51AC256BCFUE](#) [MCF51AC256BVFUE](#) [MB91F464AAPMC-GSE2](#) [R5S726B0D216FP#V0](#) [MB91F248PFV-GE1](#) [MB91243PFV-GS-136E1](#) [SAK-TC1782F-320F180HR BA](#) [TC364DP64F300WAAKXUMA1](#) [R5F566NNDDFP#30](#)
[R5F566NNDDFC#30](#) [R5F566NNDDBD#20](#) [MC96F8216ADBN](#) [A96G181HDN](#) [A96G140KNN](#) [A96G174FDN](#) [A31G213CL2N](#)
[A96G148KNN](#) [A96G174AEN](#) [AC33M3064TLBN-01](#) [V3s](#) [T3](#) [A40i-H](#) [V526](#) [A83T](#) [R11](#) [V851s](#) [A133](#) [V833](#) [F1C100S](#) [T3L](#) [T507](#) [A33](#)
[A63](#) [T113-i](#) [H616](#) [V853](#) [V533](#) [V536-H](#) [A64-H](#) [V831](#) [V3LP](#) [T113-S3](#) [F1C200S](#) [F133-A](#) [R128-S2](#) [ADUCM360BCPZ128-TR](#)
[APT32S003F8PT](#) [AT32F435VMT7](#) [AT32F435CGT7](#)