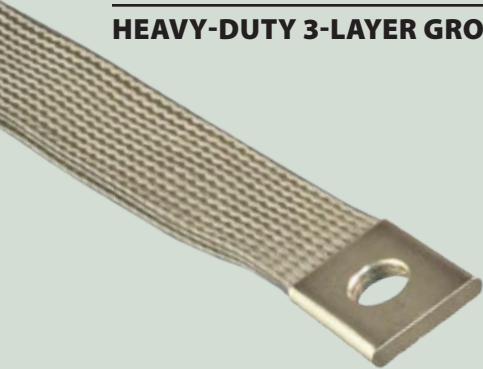


HEAVY DUTY Series 107 Ground Straps



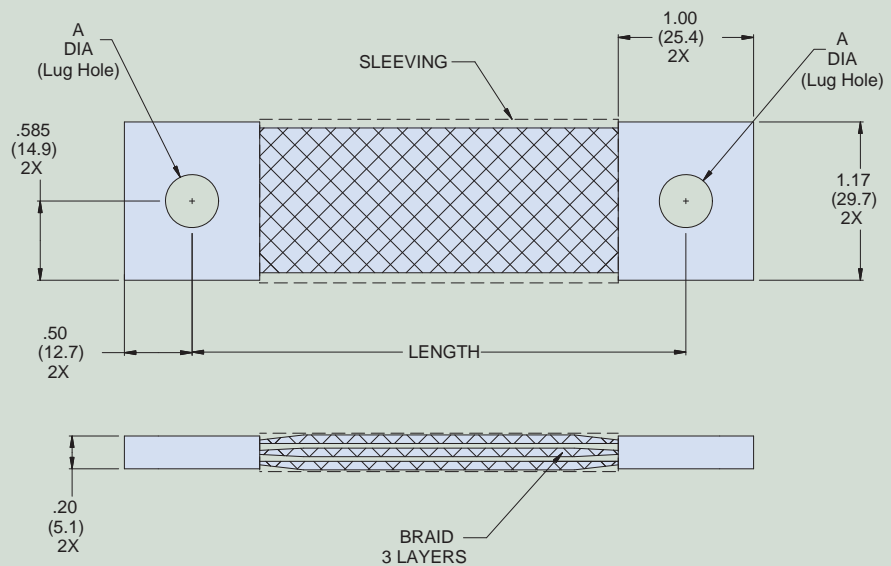
Special 3-layer configuration • configurable heavy-duty solder-free crimp lugs



HEAVY-DUTY 3-LAYER GROUND STRAPS, CRIMP LUGS

How To Order				
Sample Part Number	107-159	-235	E	G S
Product Series	Special 3-layer ground strap			
Length	In millimeters. (eg. 235 = 235mm, 9.25 in.)			
Lug 1 Hole	See Table I (If specifying 2 different sizes, specify smaller hole as Lug 1)			
Lug 2 Hole	See Table I			
Insulation	S = Insulated Sleeving Omit for none			

Lug 1 & 2 Hole Size Code	A Dia.	Stud Size (Ref.)
A	.120/.128 (3.05/3.25)	#4
B	.147/.152 (3.73/3.86)	#6
C	.172/.180 (4.37/4.57)	#8
D	.199/.204 (5.05/5.18)	#10
E	.257/.266 (6.53/6.76)	1/4
F	.323/.328 (8.20/8.33)	5/16
G	.386/.391 (9.80/9.93)	3/8
H	.449/.454 (11.40/11.53)	7/16
J	.511/.517 (12.98/13.13)	1/2



NOTES

Lug hole sizes may differ from each other depending on the part number development. The smaller lug hole diameter shall be specified in the "Lug 1" location in the part number. Length tolerance is $\pm .125$ inches (3.18mm) for lengths up to 12 inches, or $\pm 1\%$ for longer lengths.

MATERIAL/FINISH

Lugs: Copper per ASTM B152, ASTM F68, ASTM B75 or MIL-T-24107 / Tin Plate per ASTM B545 Class B or MIL-T-10727 Type I
Braid: Copper / tin plate IAW AA59569R30T0562
Sleeving: Viton M23053/13, Sumimark SM60

X-ON Electronics

Largest Supplier of Electrical and Electronic Components

Click to view similar products for [Antistatic Control Products](#) category:

Click to view products by [Glenair](#) manufacturer:

Other Similar products are found below :

[14404](#) [2202SP](#) [37061](#) [42470](#) [09813](#) [09857](#) [09037](#) [09086](#) [09813](#) [68101](#) [68103](#) [98132](#) [73741](#) [13457](#) [13245](#) [13420](#) [13205](#) [91070](#) [66085](#)
[13080](#) [010-0115](#) [13390](#) [09121](#) [07501](#) [09204](#) [66086](#) [66121](#) [16316](#) [13331](#) [ZJ-SD100](#) [1900-8X12](#) [1910-10X12](#) [82A3](#) [1900-6X8](#) [1900-7-15](#)
[19866](#) [20-082-1012](#) [STS1327](#) [STW404111](#) [20-871-1418](#) [20-871-1624](#) [20-871-1818](#) [20-871-1824](#) [20-872-1418](#) [53707](#) [ELSEC 5/10](#) [52889](#)
[52867](#) [52865](#) [52849](#)