

Series 74
TYPE
D
EXTERNAL
SHIELD

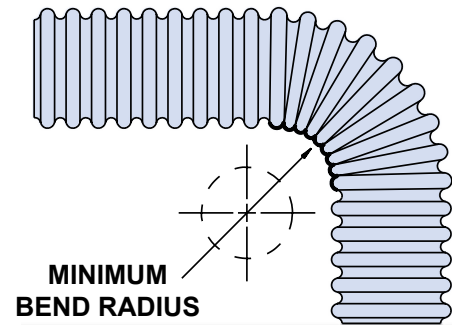
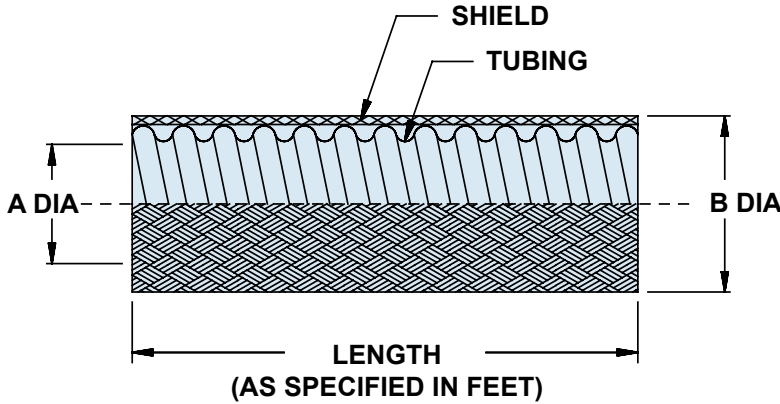
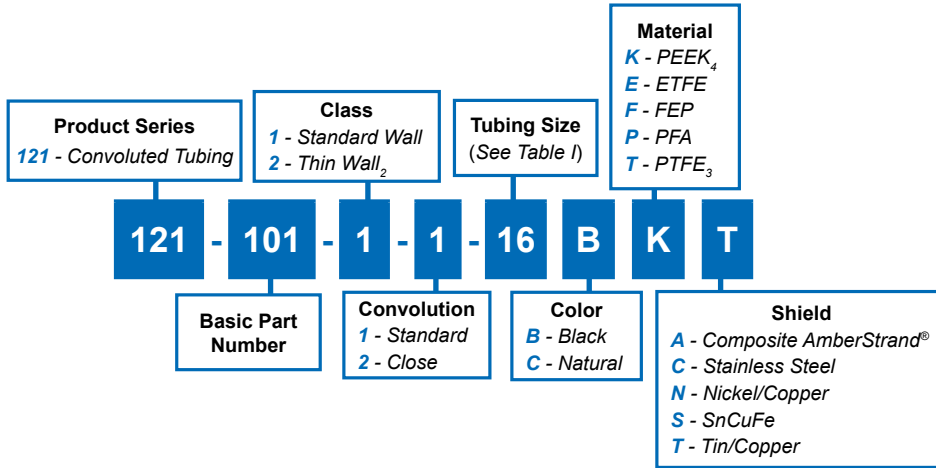


TABLE I: TUBING SIZE ORDER NUMBER AND DIMENSIONS

| TUBING SIZE | FRACTIONAL SIZE REF | A INSIDE DIA MIN | B DIA MAX | MINIMUM BEND RADIUS |
|-------------|---------------------|------------------|--------------|---------------------|
| 06 | 3/16 | .181 (4.6) | .370 (9.4) | .50 (12.7) |
| 09 | 9/32 | .273 (6.9) | .464 (11.8) | .75 (19.1) |
| 10 | 5/16 | .306 (7.8) | .500 (12.7) | .75 (19.1) |
| 12 | 3/8 | .359 (9.1) | .560 (14.2) | .88 (22.4) |
| 14 | 7/16 | .427 (10.8) | .621 (15.8) | 1.00 (25.4) |
| 16 | 1/2 | .480 (12.2) | .700 (17.8) | 1.25 (31.8) |
| 20 | 5/8 | .603 (15.3) | .820 (20.8) | 1.50 (38.1) |
| 24 | 3/4 | .725 (18.4) | .980 (24.9) | 1.75 (44.5) |
| 28 | 7/8 | .860 (21.8) | 1.123 (28.5) | 1.88 (47.8) |
| 32 | 1 | .970 (24.6) | 1.276 (32.4) | 2.25 (57.2) |
| 40 | 1 1/4 | 1.205 (30.6) | 1.589 (40.4) | 2.75 (69.9) |
| 48 | 1 1/2 | 1.437 (36.5) | 1.882 (47.8) | 3.25 (82.6) |
| 56 | 1 3/4 | 1.688 (42.9) | 2.132 (54.2) | 3.63 (92.2) |
| 64 | 2 | 1.937 (49.2) | 2.382 (60.5) | 4.25 (108.0) |

APPLICATION NOTES

1. Metric dimensions (mm) are in parentheses and are for reference only.
2. Consult factory for thin-wall, close convolution combination.
3. For PTFE maximum lengths - consult factory.
4. Consult factory for PEEK™ min/max dimensions.

X-ON Electronics

Largest Supplier of Electrical and Electronic Components

Click to view similar products for [Spiral Wraps, Sleeves, Tubing & Conduit](#) category:

Click to view products by [Glenair](#) manufacturer:

Other Similar products are found below :

[CTA-0053](#) [8423-6](#) [8426-11](#) [8429-9](#) [25](#) [202C302-13-0](#) [RAY-103-10.0\(100\)](#) [RAY-103-4.0\(100\)](#) [4627-S](#) [5026790001](#) [100-003A1000](#) [102-060-008](#) [103-013-012](#) [5356510001](#) [8445-2.5](#) [24028-1](#) [100-001A203](#) [121-103-1-1-09BFTTH](#) [420AJ001Z11402](#) [T25R-M](#) [SAS-090-1-1048-1X](#) [SAS-160-1-1030-0](#) [RAY-101-3.0\(100\)](#) [8428-18](#) [8429-12](#) [8659](#) [8328](#) [100-003A750](#) [100-003A109](#) [102-072-008](#) [HC1B-7008-0312-0](#) [2030758-3](#) [22A00010-0DH16](#) [100-003A078](#) [OSPU 10](#) [CS-A900T](#) [THP6B](#) [330.012.2](#) [330.012.3](#) [330.016.2](#) [330.020.3](#) [373.016.2](#) [CYLG-29B](#) [61747000](#) [61806130](#) [61806140](#) [166-30730](#) [162-20100](#) [348.016.1](#) [3110000817](#)