

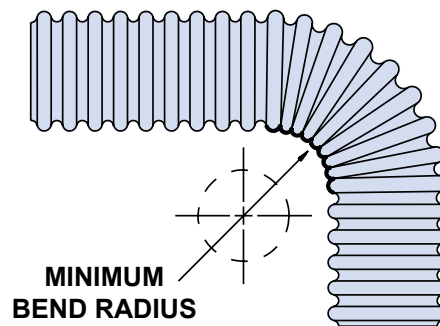
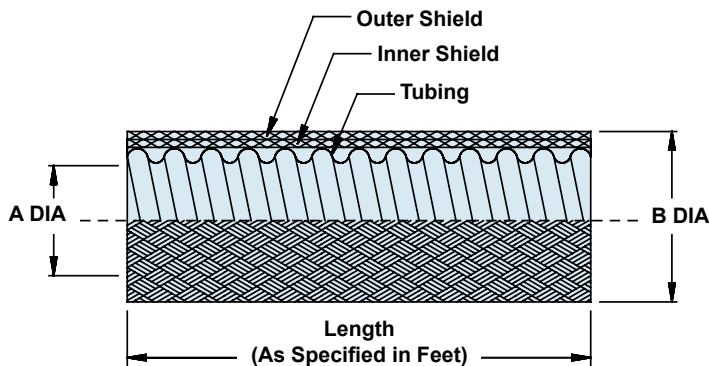
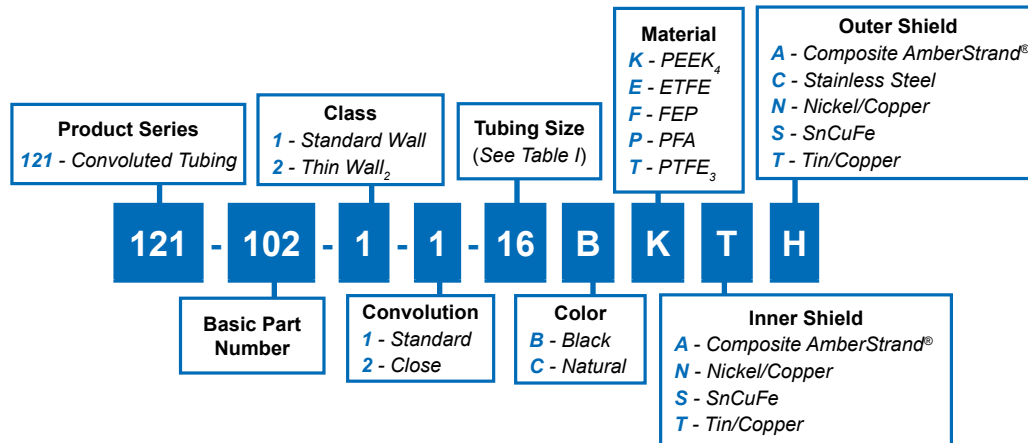
121-102

Series 74 Helical Convoluted Tubing (AMS-T-81914)  
Type E: Convoluted Tubing with Two External Shields



Convoluted Tubing

Series 74  
TYPE  
E  
TWO  
EXTERNAL  
SHIELDS



C

TABLE I: TUBING SIZE ORDER NUMBER AND DIMENSIONS

| TUBING SIZE | FRACTIONAL SIZE REF | A INSIDE DIA MIN | B DIA MAX    | MINIMUM BEND RADIUS * |
|-------------|---------------------|------------------|--------------|-----------------------|
| 06          | 3/16                | .181 (4.6)       | .420 (10.7)  | .50 (12.7)            |
| 09          | 9/32                | .273 (6.9)       | .514 (13.1)  | .75 (19.1)            |
| 10          | 5/16                | .306 (7.8)       | .550 (14.0)  | .75 (19.1)            |
| 12          | 3/8                 | .359 (9.1)       | .610 (15.5)  | .88 (22.4)            |
| 14          | 7/16                | .427 (10.8)      | .671 (17.0)  | 1.00 (25.4)           |
| 16          | 1/2                 | .480 (12.2)      | .750 (19.1)  | 1.25 (31.8)           |
| 20          | 5/8                 | .603 (15.3)      | .870 (22.1)  | 1.50 (38.1)           |
| 24          | 3/4                 | .725 (18.4)      | 1.030 (26.2) | 1.75 (44.5)           |
| 28          | 7/8                 | .860 (21.8)      | 1.173 (29.8) | 1.88 (47.8)           |
| 32          | 1                   | .970 (24.6)      | 1.326 (33.7) | 2.25 (57.2)           |
| 40          | 1 1/4               | 1.205 (30.6)     | 1.639 (41.6) | 2.75 (69.9)           |
| 48          | 1 1/2               | 1.437 (36.5)     | 1.932 (49.1) | 3.25 (82.6)           |
| 56          | 1 3/4               | 1.688 (42.9)     | 2.182 (55.4) | 3.63 (92.2)           |
| 64          | 2                   | 1.937 (49.2)     | 2.432 (61.8) | 4.25 (108.0)          |

\*The minimum bend radius is based on Type A construction. For multiple-braided coverings, these minimum bend radii may be increased slightly.

APPLICATION NOTES

- Metric dimensions (mm) are in parentheses and are for reference only.
- Consult factory for thin-wall, close convolution combination.
- For PTFE maximum lengths - consult factory.
- Consult factory for PEEK™ min/max dimensions.

## X-ON Electronics

Largest Supplier of Electrical and Electronic Components

*Click to view similar products for [Spiral Wraps, Sleeves, Tubing & Conduit](#) category:*

*Click to view products by [Glenair](#) manufacturer:*

Other Similar products are found below :

[CTA-0053](#) [8423-6](#) [8426-11](#) [8429-9](#) [25](#) [202C302-13-0](#) [RAY-103-10.0\(100\)](#) [RAY-103-4.0\(100\)](#) [4627-S](#) [5026790001](#) [100-003A1000](#) [102-060-008](#) [103-013-012](#) [5356510001](#) [8445-2.5](#) [24028-1](#) [100-001A203](#) [121-103-1-1-09BFTTH](#) [420AJ001Z11402](#) [T25R-M](#) [SAS-090-1-1048-1X](#) [SAS-160-1-1030-0](#) [RAY-101-3.0\(100\)](#) [8428-18](#) [8429-12](#) [8659](#) [8328](#) [100-003A750](#) [100-003A109](#) [102-072-008](#) [HC1B-7008-0312-0](#) [2030758-3](#) [22A00010-0DH16](#) [100-003A078](#) [OSPU 10](#) [CS-A900T](#) [THP6B](#) [330.012.2](#) [330.012.3](#) [330.016.2](#) [330.020.3](#) [373.016.2](#) [CYLG-29B](#) [61747000](#) [61806130](#) [61806140](#) [166-30730](#) [162-20100](#) [348.016.1](#) [3110000817](#)