

# SERIES 151 MIL-DTL-55116 TYPE Jam Nut Audio Receptacle with PC Tails and 3 ground pins



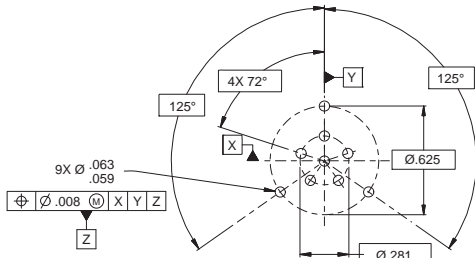
## TACTICAL INTERCONNECT SOLUTIONS

### 151-010



151-010 MIL-DTL-55116 type receptacles available in 5 or 6 pin configuration, equipped with PC tails and 3 shell ground contacts. Shell and nut are stainless steel with passivated/light sand blasted finish IAW MIL-F-14072 type F300. Contacts are gold plated copper.

How To Order			
Sample Part Number	151-010	-2	-4
Product Series	MIL-DTL-55116 type jam nut audio receptacle with PC tail contacts and 3 shell ground contacts		
Connector Style	-1 = U-183 type 5-pin    -2 = U-183 type 6-pin		
PC tail type	see Table II		



**PCB HOLE LAYOUT**  
(151-010-2-X SHOWN)  
Angular position of PCB tails is  $\pm 2^\circ$ .  
PCB layout will accommodate this tolerance.

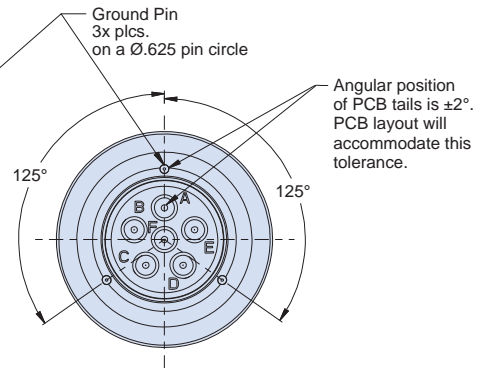
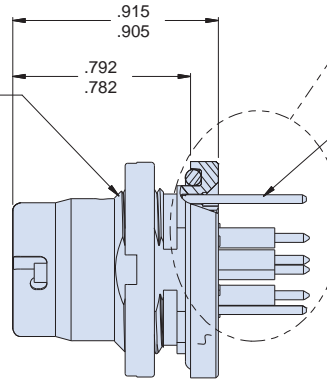
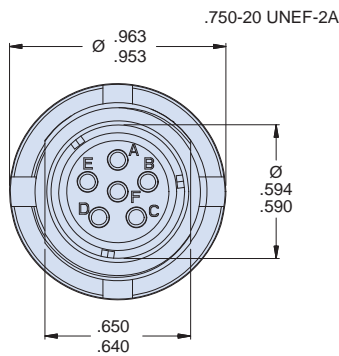
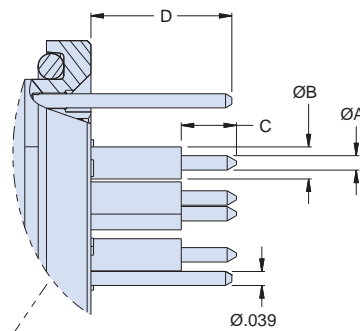
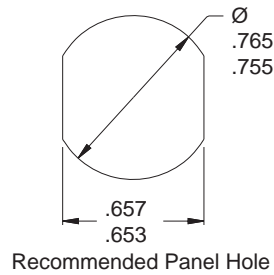


Table II: PC Tail Dimensions				
Dash No.	Ø A	Ø B	C	D
-1	.040	.089	.115	.169
-2	.040	—	—	.437
-3	.028	.089	.188	.590
-4	.028	.089	.125	.194
-5	.028	.089	.208	.257
-6	.040	—	—	.110
-7	.028	.089	.150	.437
-8	.030	—	—	.120
-9	.028	.089	.140	.390
-10	.040	—	—	.744
-11	.030			.564
-12	.040			.110
-13	.040	—	—	.900

600-196 Spanner Tool	
	Spanner tool with socket drive attachment for all Series 151 and 152 55116 receptacles

## X-ON Electronics

Largest Supplier of Electrical and Electronic Components

*Click to view similar products for [Circular DIN Connectors](#) category:*

*Click to view products by [Glenair](#) manufacturer:*

Other Similar products are found below :

[D38999/20MJ37PB](#) [75-190222-09G](#) [FRCIR030FP-36-10P-F80](#) [FRCIR08F-18-19S-F80](#) [FRCIR08R-36-7S-F80](#) [8R3006A18M0033](#) [PT05A-14-18SW\(023\)](#) [PT05A-14-5SX](#) [GTC01A-22-28P](#) [PT05A1832SW](#) [PT05A2041SX](#) [PT05SE1832SWLC](#) [PT05SE1832SYLC](#)  
[GTC030-20-27PW-LC](#) [ACC06AF-20-23P\(003\)](#) [1210500311](#) [1210503216](#) [ACS00F-16-10S\(003\)](#) [ACS06AF-16-10P\(003\)](#) [D38999/42FE35AN](#)  
[D38999/46WE6SN](#) [MS3100F22-23S](#) [MS3100R36-5S](#) [MS3101E28-21S](#) [MS3101E2821SX](#) [MS3102E184PW](#) [MS310314S-5P](#) [MS310314S-6P](#) [MS310314S-7P](#) [MS310322-8S](#) [MS3114F10-6P](#) [MS3116E8-4SW](#) [MS3122E10-6PW](#) [MS3456W28-21PZ-LC](#) [C18213N21](#) [CA3100E14S-9PB](#) [CA3100E14SA7P](#) [CA3100E16-10S](#) [CA3100E16S-8PBF80](#) [CA3100E18-1SBF80A176](#) [CA3100E20-7SB-F80-A176](#) [CA3100E22-14SB](#)  
[CA3100E22-14SBF80](#) [CA3100E22-19PBF80](#) [CA3100E22-22SB](#) [CA3100E22-22SBF80](#) [CA3100E22-2SBF80](#) [CA3100E22-7PB](#)  
[CA3100E28-21PWB02](#) [CA3100E32-15PB](#)