

TACTICAL
INTERCONNECT
SOLUTIONS



Series 152
HiPer 55116 with
EMI ground spring

QPL AND HIGH-PERFORMANCE MCOTS

MIL-DTL-55116 RADIO CONNECTORS AND CABLES

Industry-standard QPL solutions *plus* HiPer 55116 MCOTS versions with superior electrical, environmental, and mechanical performance

APRIL 2017

SERIES
151 AND 152

QPL Standard and High-Performance MCOTS

Series 151 (MIL-DTL-55116 QPL standard-duty) and Series 152 (high-performance) tactical radio connectors



The MIL-DTL-55116 audio frequency connector has been used in tactical radio systems for generations. Now, this reliable, field-cleanable interconnect has been specified for use in the Joint Tactical Radio System—the next generation voice and data radio for U.S. military field operations, ensuring its continued use and service to soldiers, sailors and airmen. Glenair manufactures two versions of the MIL-DTL-55116 connector: a standard-performance QPL solution, and an intermateable advanced-performance MCOTS derivative with:

- Low contact resistance: less than 10 milliohms
- Integrated EMI ground spring provides improved 2.5 milliohm shell-to-shell conductivity performance
- IP68 rated sealing in mated and unmated condition
- 1,000 hour+ salt spray corrosion resistance
- Integrated cable shield termination band porch
- Superior 100 pound cable pull test rating

Glenair[®]

For more information
contact Glenair at
818-247-6000 or
visit our website at
www.glenair.com
U.S. CAGE code 06324















SERIES 151 AND 152 MIL-DTL-55116 Radio Connectors and Cables







TACTICAL INTERCONNECT SOLUTIONS

Selection guide

Series 152 HiPer 55116 Audio Connectors • pg. 2

 152-002 HiPer 55116 audio plug	 157-010 HiPer 55116 <i>crimp-removable contact</i> audio plug	 152-005 HiPer 55116 overmolded audio plug cordset	 152-001 HiPer 55116 audio plug with wire strain relief	 157-009 HiPer 55116 <i>crimp-removable contact</i> audio plug with wire strain relief	 152-006 HiPer 55116 audio plug cordset		
 152-004 HiPer 55116 in-line audio receptacle	 157-011 HiPer 55116 <i>crimp-removable contact</i> in-line audio receptacle	 152-007 HiPer 55116 overmolded in-line audio receptacle cordset	 152-003 HiPer 55116 radio-mount jam nut audio receptacle	 152-013 HiPer 55116 audio receptacle with PC tails	 152-012 HiPer 55116 audio receptacle with PC tails and 3 ground pins	 240-152-003 HiPer 55116 <i>filtered</i> radio-mount jam nut audio receptacle, solder cups	 240-152-013 HiPer 55116 <i>filtered</i> radio-mount jam nut audio receptacle, PC tails

Series 151 Standard MIL-DTL-55116 QPL audio connectors • pg. 18

 151-001 MIL-DTL-55116 QPL audio plug with wire strain relief	 151-002 MIL-DTL-55116 QPL audio plug with overmold adapter	 151-003 MIL-DTL-55116 QPL radio-mount jam nut audio receptacle	 151-004 MIL-DTL-55116 QPL in-line audio receptacle with wire strain relief
--	--	---	--



Series 151 MIL-DTL-55116 type special connectors, adapters, and accessories • pg. 24

 151-015 MIL-DTL-55116 type all-metal audio plug with wire strain relief	 157-008 MIL-DTL-55116 type audio plug with integral configurable 90° backshell	 151-005 MIL-DTL-55116 type audio receptacle with PC tails	 151-010 MIL-DTL-55116 type audio receptacle with PC tails and 3 ground pins	 157-005 Audio connector feed-thru adapter, 55116 to D38999	 157-012 Audio connector feed-thru adapter, 55116 to Mighty Mouse 804
 657-098 Dummy receptacle for series 151 and 152 plugs	 667-374 and 667-355 Protective covers for series 151 and 152 connectors		 151-008 Rubber protective cover for series 151 and 152 receptacles		



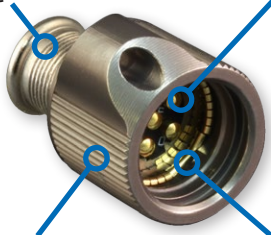
SERIES 152

HiPer 55116 Tactical Radio Connectors and Cables

Series 152 HiPer 55116 connectors offer significant performance advantages for modern soldier communication systems

Integrated banding porch/shrink boot groove

<10 mΩ contact resistance



1000 hour+ salt spray corrosion-resistant

Integrated EMI Ground Spring

Fully intermateable and interoperable with MIL-DTL-55116 connectors

- Intermateable and interoperable with standard MIL-DTL-55116 connectors
- Low contact resistance: Less than 10 milliohms
- Integrated EMI ground spring provides improved 2.5 milliohm shell-to-shell conductivity performance
- IP68 rated sealing in mated and unmated condition, prevents water ingress into radio equipment
- 1,000 hour+ salt spray corrosion resistance
- Integrated cable shield termination band porch
- Superior 100 pound cable pull test rating

SERIES 152 INTERMATEABLE HiPer 55116 Radio Connectors and Cables



TACTICAL INTERCONNECT SOLUTIONS

Selection Guide • Performance specifications

Series 152 Hi Per 55116 Selection Guide				
Part Description	Glenair P/N	Corresponding Mil P/N, "U" designator	Mates with	Page
 Audio plug, field serviceable, with wire strain relief and rigid contacts, crimp and solder cup	152-001	M55116/1 – /4 type U-229	152-003 HiPer 55116 type jam nut receptacle	4
 Crimp-removable contact audio plug, field-serviceable with wire strain relief	157-009		152-004 HiPer 55116 type in-line receptacle	5
 Overmolded audio plug cordset with wire strain relief	152-006		151-003 standard 55116 type jam nut receptacle	6
			151-004 standard 55116 type in-line receptacle	
			any M55116 receptacle	
 Audio plug with shield termination porch, overmolding adapter and rigid contacts, crimp and solder cup	152-002	M55116/5 – /8 type U-182	152-003 HiPer 55116 type jam nut receptacle	7
 Crimp-removable contact audio plug with shield termination porch and overmolding adapter	157-010		152-004 HiPer 55116 type in-line receptacle	8
 Overmolded audio plug cordset	152-005		151-003 standard 55116 type jam nut receptacle	9
			151-004 standard 55116 type in-line receptacle	
			any M55116 receptacle	
 In-line receptacle with shield termination porch, overmolding adapter, and non-rigid spring contacts, crimp and solder cup	152-004	M55116/11 – /14 type U-228	152-003 HiPer 55116 type jam nut receptacle	10
 Crimp-removable contact in-line audio receptacle, shield termination porch and overmolding adapter	157-011		152-004 HiPer 55116 type in-line receptacle	11
 Overmolded in-line audio receptacle cordset	152-007		151-003 standard 55116 type jam nut receptacle	12
			151-004 standard 55116 type in-line receptacle	
			any M55116 receptacle	
 Radio-mount jam nut audio receptacle with non-rigid spring contacts	152-003	M55116/9 – /10 type U-183		13
 Radio-mount jam nut audio receptacle with PC tails	152-013		152-001 HiPer 55116 type plug	14
 Radio-mount jam nut audio receptacle with PC tails and 3 ground pins	152-012		152-002 HiPer 55116 type plug	15
 Filtered radio-mount jam nut audio receptacle with non-rigid spring contacts, solder cup	240-152-003		151-001 standard 55116 type plug	16
 Filtered radio-mount jam nut audio receptacle with PC tails	240-152-013		151-002 standard 55116 type plug	17

SERIES 152 HIPER 55116 PERFORMANCE SPECIFICATIONS

Complies with all MIL-DTL-55116 specifications and exceeds the following performance criteria:

Shell-to-shell conductivity

152-001 and -002 Plugs: 2.5 milliohms max.
152-003 receptacle: 2.5 milliohms max when mated to Glenair HiPer 55116 plug 152-001 or -002

Cable shield-to-shell conductivity: 2.5 milliohms max.

Contact resistance (mated): 15 milliohms max. average; 20 milliohms max.

Water immersion (mated & un-mated): 152-002 plug, 152-003 receptacle: IP68 (10 meters standing water/1 hr.)

Air Pressure: 15 psi

Salt spray: 1,000 hours (MIL-STD-202, Method 101E)

Cable pull-out force (unmated): 152-001 and -002 plugs: 100 lbs. (Cable shield strength dependent)

HiPer 55116

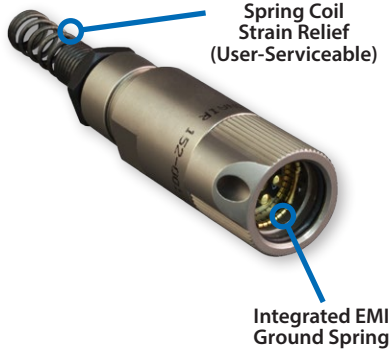
Audio plug with wire strain relief

152-001



AUDIO PLUG, FIELD-SERVICEABLE WITH WIRE STRAIN RELIEF AND RIGID CRIMP TERMINAL OR SOLDER CUP CONTACTS

MATES WITH 152-003 AND 152-004, 151-003 AND 151-004, AND STANDARD MIL-DTL-55116 RECEPTACLES



How To Order			
Sample Part Number	152-001	-1	-3
Series	HiPer 55116 Audio plug with wire strain relief		
Connector Configuration (See Table I)	-1 = 5 pin, crimp -2 = 6 pin, crimp	-3 = 5 pin, solder cup -4 = 6 pin, solder cup	
Size (cable accommodation)	-1 = .165 ± .010 -2 = .228 ± .010 -3 = .250 ± .010	-4 = .290 ± .010 -5 = .320 ± .010	

Composite Version Also Available

152-014

Audio Plug, Composite Thermoplastic, with IP67 watertight strain relief and crimp terminal or solder cup contacts
Consult factory for details

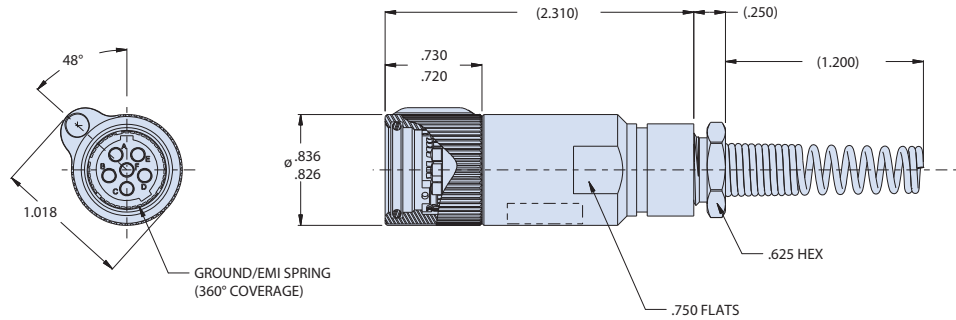


Table I: Connector Configuration

Part Number	Configuration
152-001-1	M55116/1 type (U-229) Plug, 5 crimp sleeve terminals
152-001-2	M55116/2 type (U-229) Plug, 6 crimp sleeve terminals
152-001-3	M55116/3 type (U-229) Plug, 5 Solder Cup Contacts
152-001-4	M55116/4 type (U-229) Plug, 6 Solder Cup Contacts

MATERIALS AND FINISHES

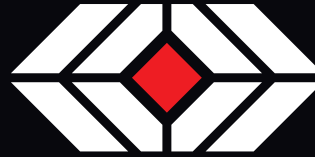
- Shells and backshells: Stainless steel/PTFE-nickel plated (matte finish)
- Inserts: Diallylphthalate resin type SDG-F
- Seals: Ethylene propylene rubber
- Other metals: Aluminum alloy 6061 T6/hard anodized (dark gray)
- Strain Relief Spring: Steel corrosion resistant wire/chemical blackening
- Contacts: Copper alloy/gold plate

NOTES

- Plugs are identified with Glenair's name, part number and date code.
- Meets interface configurations and IAW specifications of MIL-DTL-55116 Type C, and exceeds the following:
- Shell-to-shell conductivity: 2.5 milliohms max.
- Cable shield-to-shell conductivity: 2.5 milliohms max.
- Contact resistance (mated): 15 milliohms max. average; 20 milliohms max.
- Pressure sealing (mated & un-mated): IP67 (1 meter of standing water for 1 hour)
- Salt atmosphere: 1,000 hours (MIL-STD-202, Method 101E)
- Cable pull-out force (unmated): 100 lbf. (Cable shield strength dependent)

HiPer 55116

Audio Plug with wire strain relief, crimp-removable contacts



**TACTICAL
INTERCONNECT
SOLUTIONS**

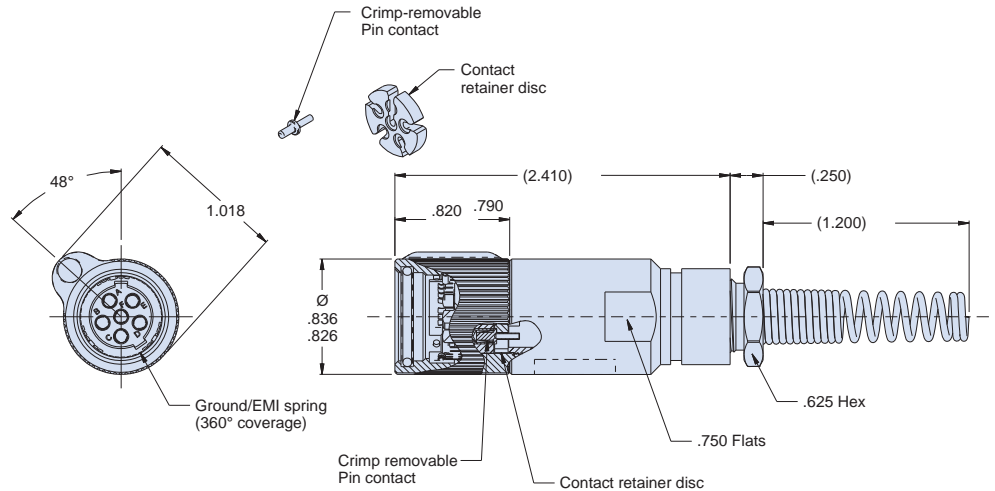
157-009

AUDIO PLUG, FIELD-SERVICEABLE WITH WIRE STRAIN RELIEF AND CRIMP-REMOVABLE CONTACTS

MATES WITH 152-003 AND 152-004, 151-003 AND 151-004, AND STANDARD MIL-DTL-55116 RECEPTACLES



How To Order			
Sample Part Number	157-009	-1	-3
Series	HiPer 55116 Audio plug with wire strain relief		
Connector Configuration (See Table I)	-1 = 5 pin, crimp-removable contacts -2 = 6 pin, crimp-removable contacts		
Size (cable accommodation)	-1 = .165 ± .010	-4 = .290 ± .010	
	-2 = .228 ± .010	-5 = .320 ± .010	
	-3 = .250 ± .010		



MATERIALS AND FINISHES

Shells and backshells: Stainless steel/PTFE-nickel plated (matte finish)

Inserts: Diallylphthalate resin type SDG-F

Seals: Ethylene propylene rubber

Other metals: Aluminum alloy 6061 T6/hard anodized (dark gray)

Strain Relief Spring: Steel corrosion resistant wire/chemical blackening

Contacts: Copper alloy/gold plate

NOTES

Plugs are identified with Glenair's name, part number and date code.

Meets interface configurations and IAW specifications of MIL-DTL-55116 Type C, and exceeds the following:

Shell-to-shell conductivity: 2.5 milliohms max.

Cable shield-to-shell conductivity: 2.5 milliohms max.

Contact resistance (mated): 15 milliohms max. average; 20 milliohms max.

Pressure sealing (mated & un-mated): IP67 (1 meter of standing water for 1 hour)

Salt atmosphere: 1,000 hours (MIL-STD-202, Method 101E)

Cable pull-out force (unmated): 100 lbf. (Cable shield strength dependent)

Crimp-removable pin contacts and contact retainer disc are supplied loose. Contact Glenair for the crimp tool and locator.

Table I: Connector Configuration

5 Contacts	6 Contacts
157-009-1	M55116/1 type (U-229) Plug, 5 crimp-removable contacts
157-009-2	M55116/2 type (U-229) Plug, 6 crimp-removable contacts

HiPer 55116 Audio Plug Cordset with Wire Strain Relief

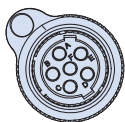
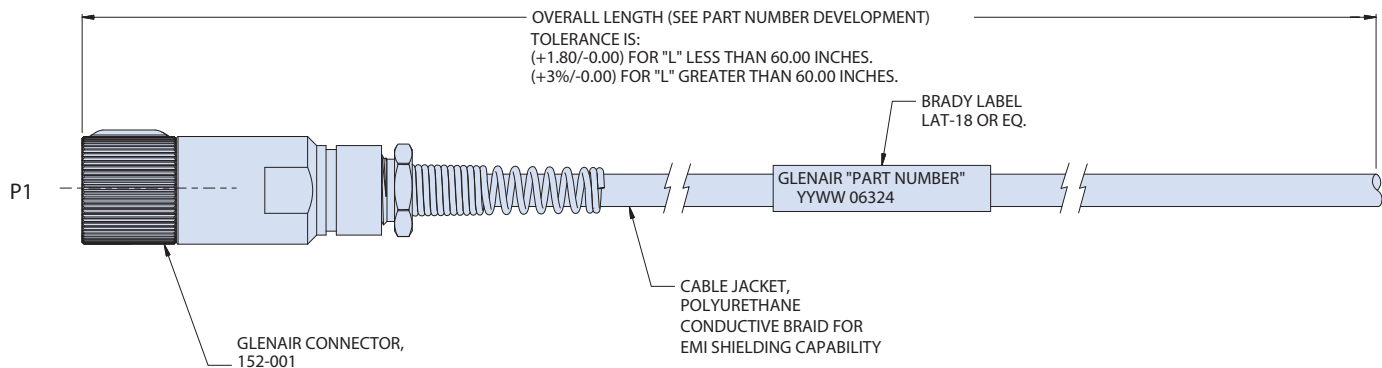
152-006



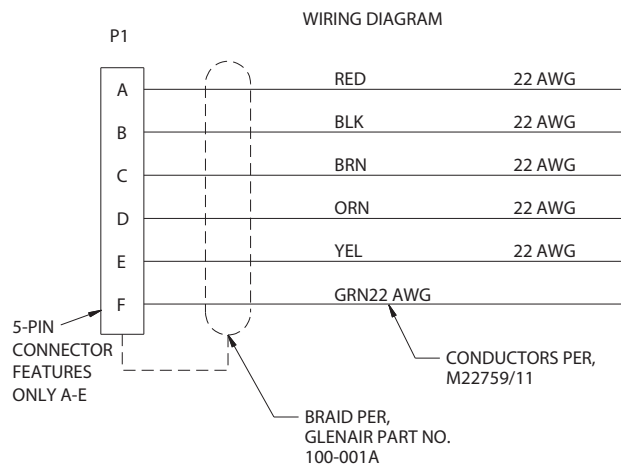
AUDIO PLUG CORDSET WITH WIRE STRAIN RELIEF, FACTORY TERMINATED PIGTAIL



How To Order			
Sample Part Number	152-006	-6	-XX
Series	HiPer 55116 Cordset with Wire Strain Relief		
Pin Count	5 - 5-Pin		
	6 - 6-Pin		
Length	Overall length in inches		



6-PIN SHOWN FOR REFERENCE ONLY



NOTES

100% electrical test, continuity, DWV (500 VAC sea level) and insulation resistance (200 Megohms minimum)

Unit Pack: 1 ea. 4 mil poly bag, heat-sealed. Includes dust cap.

Refer to part no. 152-001 for connector materials, finishes, and dimensions.

Wire corresponding to contact "F" to be trimmed and insulated with M23053/8 shrink tubing if 5-pin connector is specified.

HiPer 55116

Audio Plug with termination porch and overmolding adapter

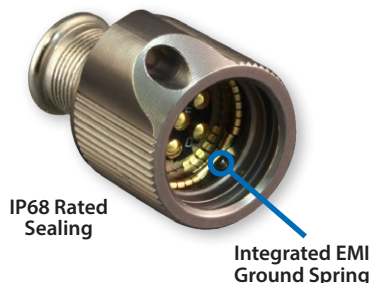


**TACTICAL
INTERCONNECT
SOLUTIONS**

152-002

AUDIO PLUG WITH INTEGRATED EMI GROUND SPRING, SHIELD TERMINATION PORCH, INTEGRATED OVERMOLDING/SEALING BOOT FEATURE AND RIGID CRIMP TERMINAL OR SOLDER CUP CONTACTS

MATES WITH 152-003 AND 152-004, 151-003 AND 151-004, AND STANDARD MIL-DTL-55116 RECEPTACLES



How To Order			
Sample Part Number	152-002		-1 -3
Series	HiPer 55116 Audio plug with overmold adapter		
Connector Configuration (See Table I)	-1 = 5 pin, crimp	-3 = 5 pin, solder cup	
	-2 = 6 pin, crimp	-4 = 6 pin, solder cup	
Size (cable accommodation)	-1 = .165 ± .010	-4 = .290 ± .010	
	-2 = .228 ± .010	-5 = .320 ± .010	
	-3 = .250 ± .010		

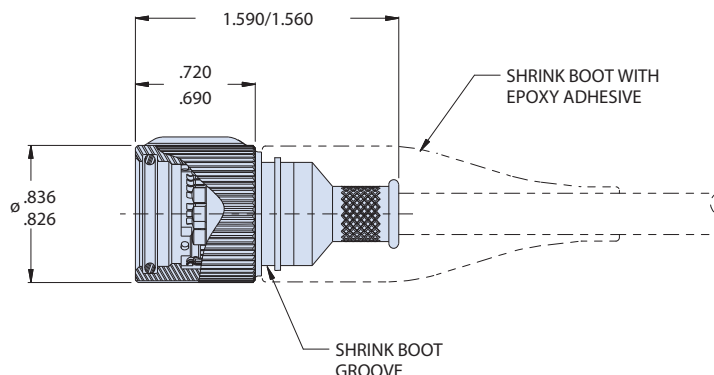
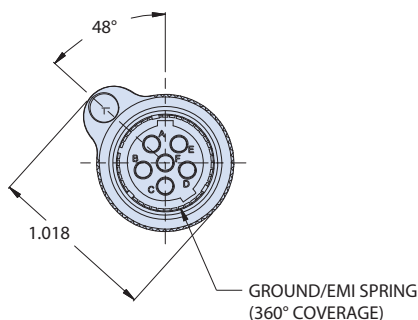


Table I: Connector Configuration

	5 Contacts	6 Contacts
152-002-1	M55116/5 type (U-182) Plug, 5 crimp sleeve terminals	
152-002-2		M55116/6 type (U-182) Plug, 6 crimp sleeve terminals
152-002-3	M55116/7 type (U-182) Plug, 5 Solder Cup Contacts	
152-002-4		M55116/8 type (U-182) Plug, 6 Solder Cup Contacts

MATERIALS AND FINISHES

Shells and backshells: Stainless steel/PTFE-nickel plated (matte finish)
 Inserts: Diallylphthalate resin type SDG-F
 Seals: Ethylene propylene rubber
 Contacts: Copper alloy/gold plate

NOTES

Plugs are identified with Glenair's name, part number and date code
 Meets interface configurations and IAW specifications of MIL-DTL-55116 Type C, and exceeds the following:
 Shell-to-shell conductivity: 2.5 milliohms max.
 Cable shield-to-shell conductivity: 2.5 milliohms max.
 Contact resistance (mated): 15 milliohms max. average; 20 milliohms max.
 Pressure sealing (mated & un-mated): IP68 (10 meters of standing water for 1 hour)
 Salt atmosphere: 1,000 hours (MIL-STD-202, Method 101E)
 Cable pull-out force (unmated): 100 lbf. (Cable shield strength dependent)

Audio Plug with band/overmold adapter, crimp-removable contacts

157-010

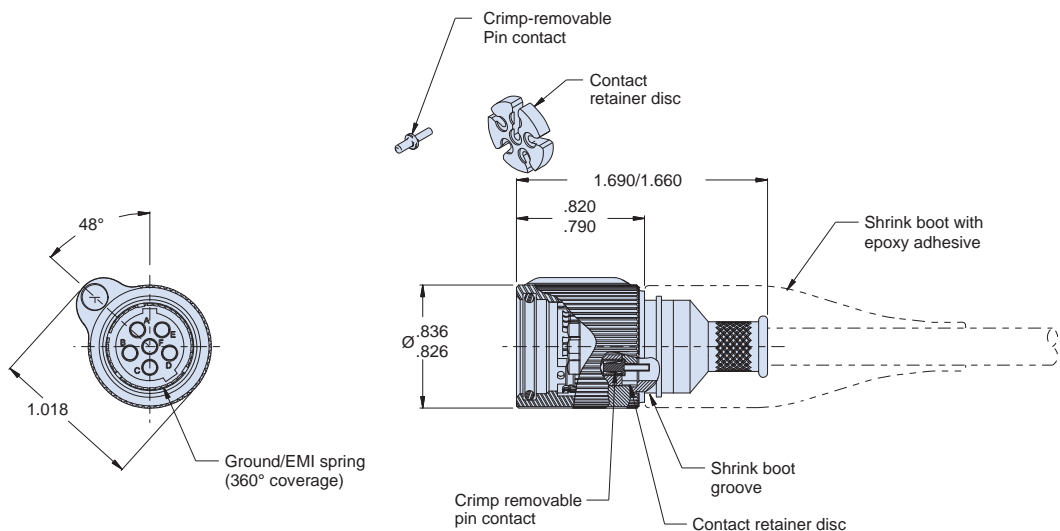


AUDIO PLUG WITH INTEGRATED EMI GROUND SPRING, SHIELD TERMINATION PORCH, INTEGRATED OVERMOLDING/SEALING BOOT FEATURE AND CRIMP-REMOVABLE CONTACTS

MATES WITH 152-003 AND 152-004, 151-003 AND 151-004, AND STANDARD MIL-DTL-55116 RECEPTACLES



How To Order			
Sample Part Number	157-010	-1	-3
Series	HiPer 55116 Audio plug with overmold adapter		
Connector Configuration (See Table I)	-1 = 5 pin, crimp-removable contacts -2 = 6 pin, crimp-removable contacts		
Size (cable accommodation)	-1 = .165 ± .010	-4 = .290 ± .010	
	-2 = .228 ± .010	-5 = .320 ± .010	
	-3 = .250 ± .010		



MATERIALS AND FINISHES

Shells and backshells: Stainless steel/PTFE-nickel plated (matte finish)

Inserts: Diallylphthalate resin type SDG-F

Seals: Ethylene propylene rubber

Contacts: Copper alloy/gold plate

NOTES

Plugs are identified with Glenair's name, part number and date code
Meets interface configurations and IAW specifications of MIL-DTL-55116 Type C, and exceeds the following:

Shell-to-shell conductivity: 2.5 milliohms max.

Cable shield-to-shell conductivity: 2.5 milliohms max.

Contact resistance (mated): 15 milliohms max. average; 20 milliohms max.

Pressure sealing (mated & un-mated): IP68 (10 meters of standing water for 1 hour)

Salt atmosphere: 1,000 hours (MIL-STD-202, Method 101E)

Cable pull-out force (unmated): 100 lbf. (Cable shield strength dependent)

Crimp-removable pin contacts and contact retainer disc are supplied loose. Contact Glenair for the crimp tool and locator.

Table I: Connector Configuration	
5 Contacts	6 Contacts
157-011-1	M55116/1 type (U-182) Plug, 5 crimp-removable contacts
157-011-2	M55116/2 type (U-182) Plug, 6 crimp-removable contacts

HiPer 55116 Overmolded Audio Plug Cordset 152-005

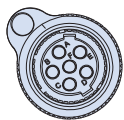
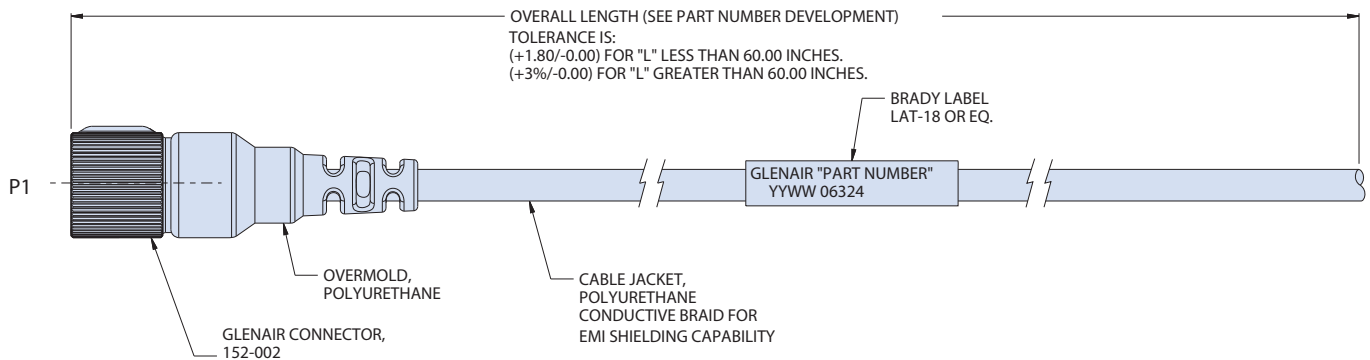


TACTICAL INTERCONNECT SOLUTIONS

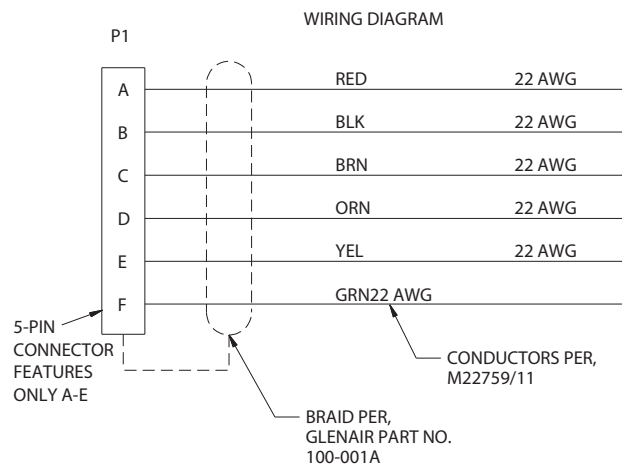
OVERMOLDED AUDIO PLUG CORDSET, FACTORY TERMINATED PIGTAIL



How To Order			
Sample Part Number	152-005	-6	-XX
Series	HiPer 55116 Overmolded Cordset		
Pin Count	5 - 5-Pin		
	6 - 6-Pin		
Length	Overall length in inches		



6-PIN SHOWN FOR REFERENCE ONLY



NOTES

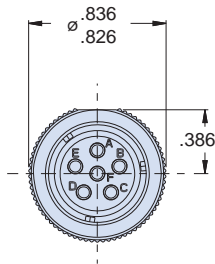
- 100% electrical test, continuity, DWV (500 VAC sea level) and insulation resistance (200 Megohms minimum)
- Unit Pack: 1 ea. 4 mil poly bag, heat-sealed. Includes dust cap.
- Refer to part no. 152-002 for connector materials, finishes, and dimensions.
- Wire corresponding to contact "F" to be trimmed and insulated with M23053/8 shrink tubing if 5-pin connector is specified.

HiPer 55116 In-Line Audio Receptacle 152-004



SHORT-LENGTH IN-LINE RECEPTACLE WITH SHIELD TERMINATION PORCH, INTEGRATED OVERMOLDING/SEALING BOOT FEATURE AND NON-RIGID SPRING CONTACTS, CRIMP TERMINAL AND SOLDER CUP

MATES WITH 152-001 AND 152-002, 151-001 AND 151-002, AND STANDARD MIL-DTL-55116 PLUGS



How To Order			
Sample Part Number	152-004		-1 -3
Series	HiPer 55116 in-line receptacle		
Connector Configuration (See Table I)	-1 = 5 pin, crimp -2 = 6 pin, crimp	-3 = 5 pin, solder cup -4 = 6 pin, solder cup	
Size (cable accommodation)	-1 = .165 ± .010 -2 = .228 ± .010 -3 = .250 ± .010	-4 = .290 ± .010 -5 = .320 ± .010	

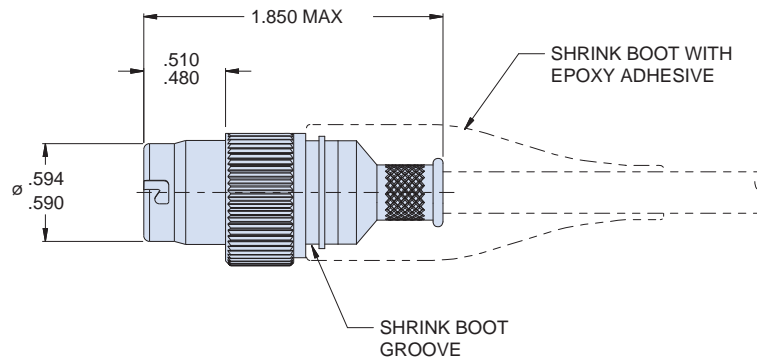


Table I: Connector Configuration	
5 Contacts	6 Contacts
152-004-1	M55116/11 type (U-228) Receptacle, 5 crimp sleeve terminals
152-004-2	M55116/12 type (U-228) Receptacle, 6 crimp sleeve terminals
152-004-3	M55116/13 type (U-228) Receptacle, 5 Solder Cup Contacts
152-004-4	M55116/14 type (U-228) Receptacle, 6 Solder Cup Contacts

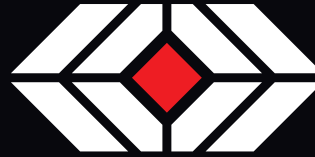
MATERIALS AND FINISHES

Shells and backshells: Stainless steel/PTFE-nickel plated (matte finish)
 Inserts: Diallylphthalate resin type SDG-F
 Seals: Ethylene propylene rubber
 Contacts: Copper alloy/gold plate

NOTES

Connectors are identified with Glenair's name, part number and date code
 Meets interface configurations and IAW specifications of MIL-DTL-55116 Type C, and exceeds the following:
 Shell-to-shell conductivity: 2.5 milliohms max.
 Cable shield-to-shell conductivity: 2.5 milliohms max.
 Contact resistance (mated): 15 milliohms max. average; 20 milliohms max.
 Pressure sealing (mated & un-mated): IP68 (10 meters of standing water for 1 hour)
 Salt atmosphere: 1,000 hours (MIL-STD-202, Method 101E)
 Cable pull-out force (unmated): 100 lbf. (Cable shield strength dependent)

HiPer 55116 In-Line Audio Receptacle with crimp-removable contacts



**TACTICAL
INTERCONNECT
SOLUTIONS**

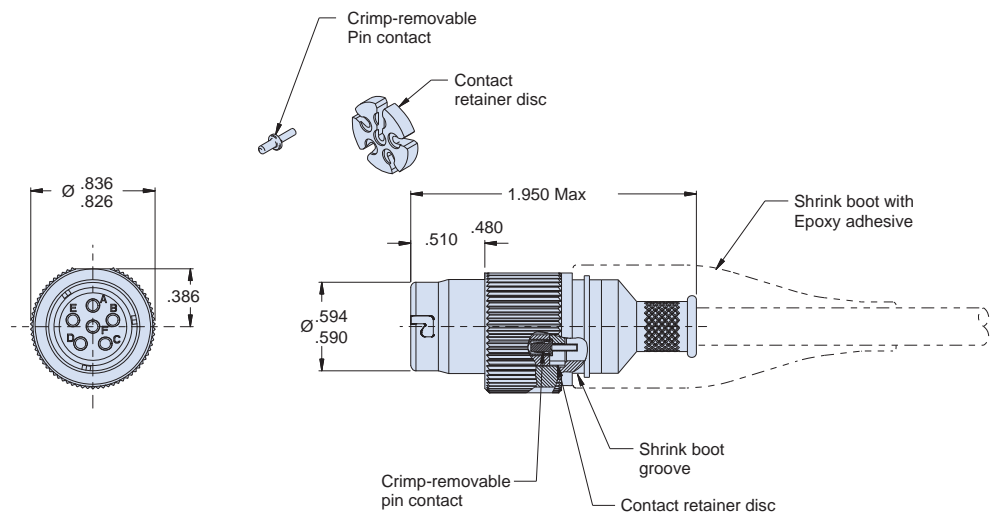
157-011

SHORT-LENGTH IN-LINE RECEPTACLE WITH SHIELD TERMINATION PORCH, INTEGRATED OVERMOLDING/SEALING BOOT FEATURE AND CRIMP-REMOVABLE CONTACTS

MATES WITH 152-001 AND 152-002, 151-001 AND 151-002, AND STANDARD MIL-DTL-55116 PLUGS



How To Order			
Sample Part Number	157-011	-1	-3
Series	HiPer 55116 in-line receptacle		
Connector Configuration (See Table I)	-1 = 5 pin, crimp-removable contacts -2 = 6 pin, crimp-removable contacts		
Size (cable accommodation)	-1 = .165 ± .010	-4 = .290 ± .010	
	-2 = .228 ± .010	-5 = .320 ± .010	
	-3 = .250 ± .010		



MATERIALS AND FINISHES

Shells and backshells: Stainless steel/PTFE-nickel plated (matte finish)

Inserts: Diallylphthalate resin type SDG-F

Seals: Ethylene propylene rubber

Contacts: Copper alloy/gold plate

NOTES

Connectors are identified with Glenair's name, part number and date code
Meets interface configurations and IAW specifications of MIL-DTL-55116 Type C, and exceeds the following:

Shell-to-shell conductivity: 2.5 milliohms max.

Cable shield-to-shell conductivity: 2.5 milliohms max.

Contact resistance (mated): 15 milliohms max. average; 20 milliohms max.

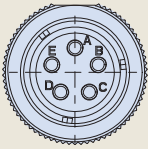
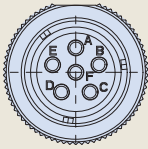
Pressure sealing (mated & un-mated): IP68 (10 meters of standing water for 1 hour)

Salt atmosphere: 1,000 hours (MIL-STD-202, Method 101E)

Cable pull-out force (unmated): 100 lbf. (Cable shield strength dependent)

Crimp-removable pin contacts and contact retainer disc are supplied loose. Contact Glenair for the crimp tool and locator.

Table I: Connector Configuration

Table I: Connector Configuration	
	
5 Contacts	6 Contacts
157-011-1	M55116/11 type (U-228) Receptacle, 5 crimp-removable contacts
157-011-2	M55116/12 type (U-228) Receptacle, 6 crimp-removable contacts

HiPer 55116 Overmolded In-Line Audio Receptacle Cordset

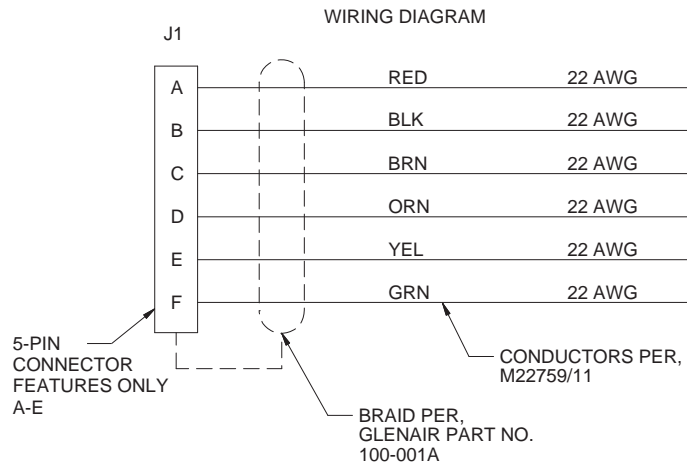
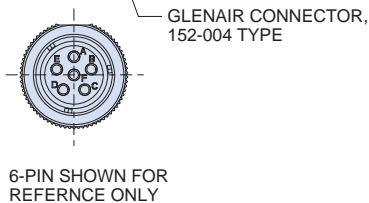
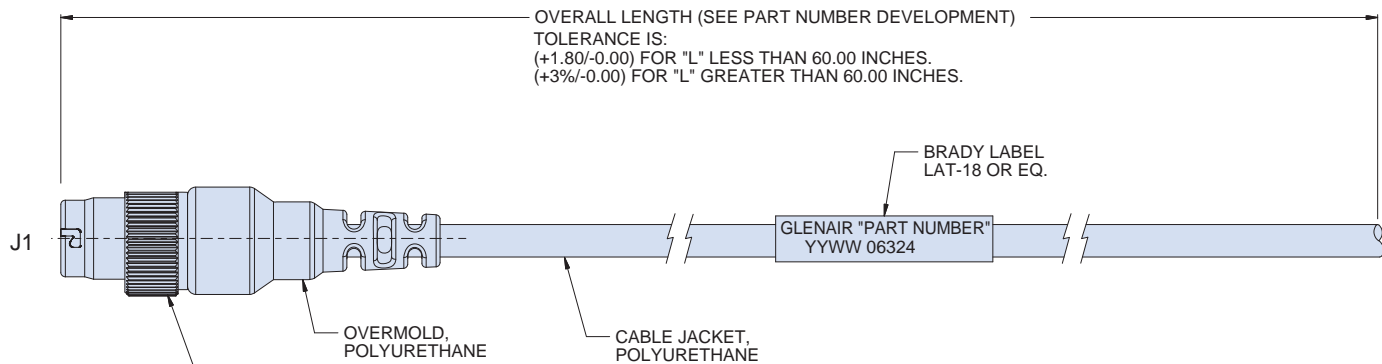


152-007

OVERMOLDED IN-LINE AUDIO RECEPTACLE CORDSET, FACTORY TERMINATED PIGTAIL



How To Order			
Sample Part Number	152-007	-6	-XX
Series	HiPer 55116 Cordset with Wire Strain Relief		
Pin Count	5 - 5-Pin		
	6 - 6-Pin		
Length	Overall length in inches		



NOTES

100% electrical test, continuity, DWV (500 VAC sea level) and insulation resistance (200 Megohms minimum)

Unit Pack: 1 ea. 4 mil poly bag, heat-sealed. Includes dust cap.

Refer to part no. 152-004 for connector materials, finishes, and dimensions.

Wire corresponding to contact "F" to be trimmed and insulated with M23053/8 shrink tubing if 5-pin connector is specified.

HiPer 55116 Radio-Mount Jam Nut Audio Receptacle 152-003

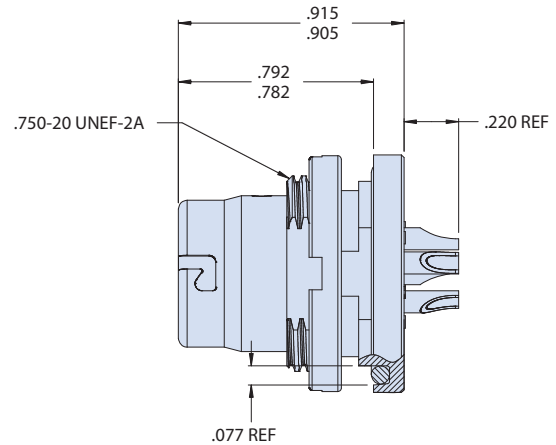
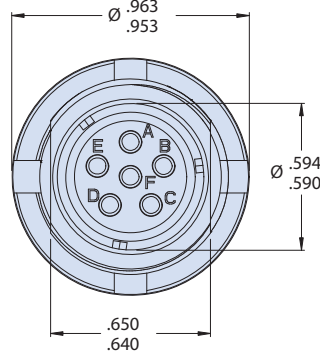
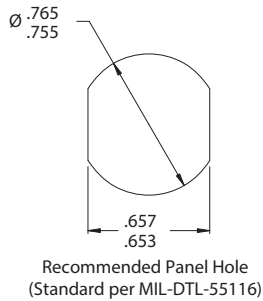


**TACTICAL
INTERCONNECT
SOLUTIONS**

RADIO-MOUNT JAM NUT RECEPTACLE WITH NON-RIGID SPRING CONTACTS, SOLDER CUP
MATES WITH 152-001 AND 152-002, 151-001 AND 151-002, AND STANDARD MIL-DTL-55116 PLUGS



How To Order		
Sample Part Number	152-003	-1
Series	HiPer 55116 radio-mount jam nut receptacle	
Connector Configuration (See Table I)	-1 = 5 pin, solder cup -2 = 6 pin, solder cup	



All dimensions are compliant with MIL-DTL-55116/9 and /10

600-196 Spanner Tool

Spanner tool with socket drive attachment for all Series 151 and 152 55116 receptacles

Table I: Connector Configuration

Part Number	Configuration
152-003-1	M55116/9 type (U-183) Receptacle, 5 Solder Cup Contacts
152-003-2	M55116/10 type (U-183) Receptacle, 6 Solder Cup Contacts

MATERIALS AND FINISHES

Shells and backshells: Stainless steel/PTFE-nickel plated (matte finish)
 Inserts: Diallylphthalate resin type SDG-F
 Seals: Ethylene propylene rubber
 Contacts: Copper alloy/gold plate

NOTES

Connectors are identified with Glenair's name, part number and date code.
 Meets interface configurations and IAW specifications of MIL-DTL-55116 Type C, and exceeds the following:
 Shell-to-shell conductivity: 2.5 milliohms max.
 Cable shield-to-shell conductivity: 2.5 milliohms max.
 Contact resistance (mated): 15 milliohms max. average; 20 milliohms max.
 Pressure sealing (mated & un-mated): IP68 (10 meters of standing water for 1 hour)
 Salt atmosphere: 1,000 hours (MIL-STD-202, Method 101E)
 Cable pull-out force (unmated): 100 lbf. (Cable shield strength dependent)

HiPer 55116 Radio Mount Audio Receptacle with PC tails



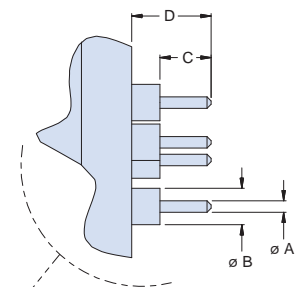
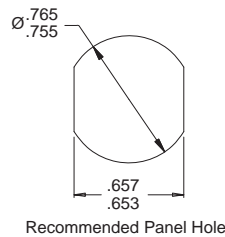
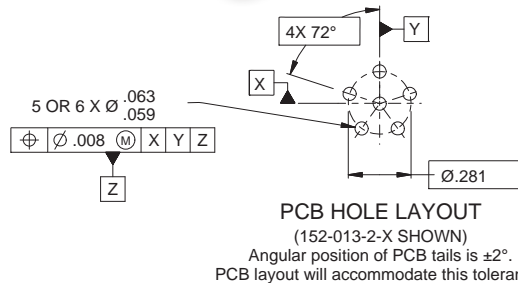
152-013

RADIO MOUNT JAM NUT RECEPTACLE WITH NON-RIGID SPRING CONTACTS, PC TAIL

MATES WITH 152-001 AND 152-002, 151-001 AND 151-002, AND STANDARD MIL-DTL-55116 PLUGS



How To Order			
Sample Part Number	152-013	-2	-4
Product Series	HiPer 55116 radio-mount jam nut receptacle with PC tail contacts		
Connector Style	-1 = U-183 type 5-pin -2 = U-183 type 6-pin		
PC tail type	see Table II		



600-196 Spanner Tool

Spanner tool with socket drive attachment for all Series 151 and 152 55116 receptacles

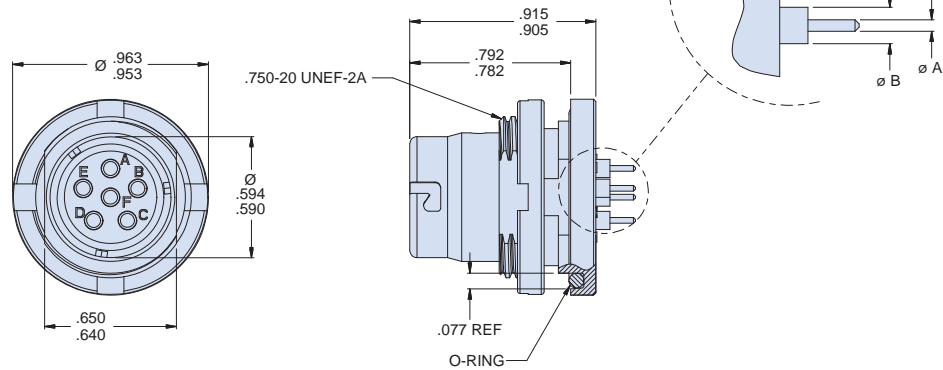


Table II: PC Tail Dimensions

Dash No.	Ø A	Ø B	C	D
-1	.040	.089	.115	.169
-2	.040	—	—	.437
-3	.028	.089	.188	.590
-4	.028	.089	.125	.194
-5	.028	.089	.208	.257
-6	.040	—	—	.110
-7	.028	.089	.150	.437
-8	.030	—	—	.120
-9	.028	.089	.140	.390
-10	.040	—	—	.744
-11	.030	—	—	.564
-12	.040	—	—	.110
-13	.040	—	—	.900
-14	.040	—	—	.257

MATERIALS AND FINISHES

Shell and nut: Stainless steel/PTFE-nickel plated (matte finish)
 Inserts: Diallylphthalate resin type SDG-F
 Seals: Ethylene propylene rubber
 Contacts: Copper alloy/gold plate
 Contact spring: CRES/passivated

NOTES

Connectors are identified with Glenair's name, part number and date code.
 Meets interface configurations and IAW specifications of MIL-DTL-55116 Type C, and exceeds the following:
 Shell-to-shell conductivity: 2.5 milliohms max.
 Cable shield-to-shell conductivity: 2.5 milliohms max.
 Contact resistance (mated): 15 milliohms max. average; 20 milliohms max.
 Pressure sealing (mated & un-mated): IP68 (10 meters of standing water / 1 hr.)
 Salt atmosphere: 1,000 hours (MIL-STD-202, Method 101E)

HiPer 55116 Radio Mount Audio Receptacle with PC tails and 3 ground pins

152-012



TACTICAL INTERCONNECT SOLUTIONS

RADIO MOUNT JAM NUT RECEPTACLE WITH NON-RIGID SPRING CONTACTS, PC TAIL, WITH 3 GROUND PINS

MATES WITH 152-001 AND 152-002, 151-001 AND 151-002, AND STANDARD MIL-DTL-55116 PLUGS



How To Order			
Sample Part Number	152-012	-2	-4
Product Series	HiPer 55116 radio-mount jam nut receptacle with PC tail contacts and 3 ground pins		
Connector Style	-1 = U-183 type 5-pin -2 = U-183 type 6-pin		
PC tail type	see Table II		

600-196 Spanner Tool

Spanner tool with socket drive attachment for all Series 151 and 152 55116 receptacles

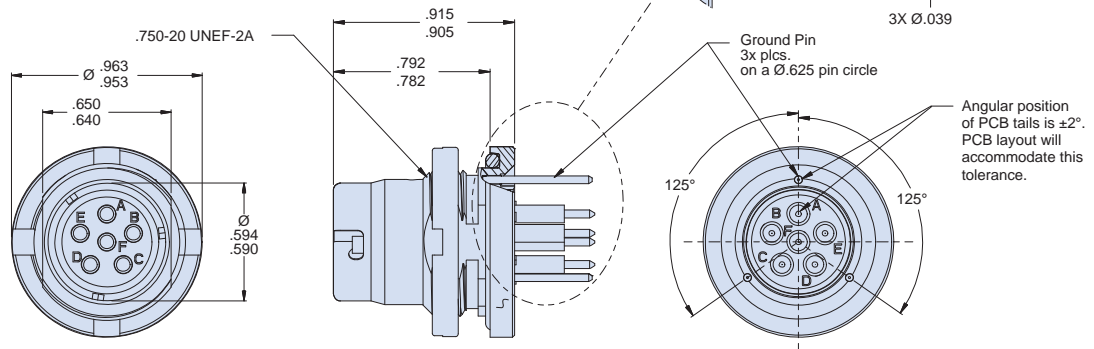
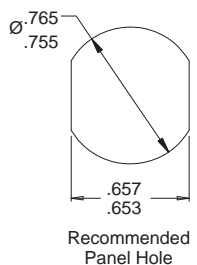
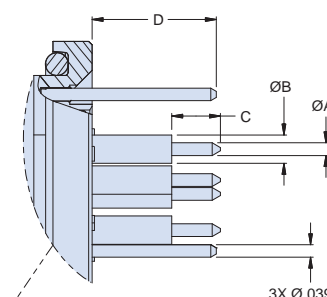
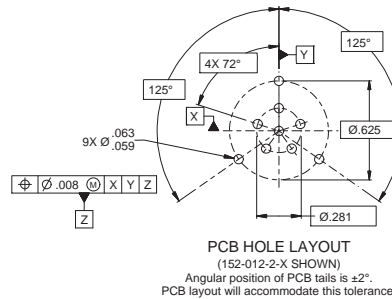


Table II: PC Tail Dimensions				
Dash No.	Ø A	Ø B	C	D
-1	.040	.089	.115	.169
-2	.040	—	—	.437
-3	.028	.089	.188	.590
-4	.028	.089	.125	.194
-5	.028	.089	.208	.257
-6	.040	—	—	.110
-7	.028	.089	.150	.437
-8	.030	—	—	.120
-9	.028	.089	.140	.390
-10	.040	—	—	.744
-11	.030	—	—	.564
-12	.040	—	—	.110
-13	.040	—	—	.900
-14	.040	—	—	.257

MATERIALS AND FINISHES

Shell and nut: Stainless steel/PTFE-nickel plated (matte finish)
 Inserts: Diallylphthalate resin type SDG-F
 Seals: Ethylene propylene rubber
 Contacts: Copper alloy/gold plate
 Contact spring: CRES/passivated

NOTES

Connectors are identified with Glenair's name, part number and date code.
 Meets interface configurations and IAW specifications of MIL-DTL-55116 Type C, and exceeds the following:
 Shell-to-shell conductivity: 2.5 milliohms max.
 Cable shield-to-shell conductivity: 2.5 milliohms max.
 Contact resistance (mated): 15 milliohms max. average; 20 milliohms max.
 Pressure sealing (mated & un-mated): IP68 (10 meters of standing water / 1 hr.)
 Salt atmosphere: 1,000 hours (MIL-STD-202, Method 101E)

Filtered Audio Receptacle, Radio Mount with Solder Cup Contacts

240-152-003

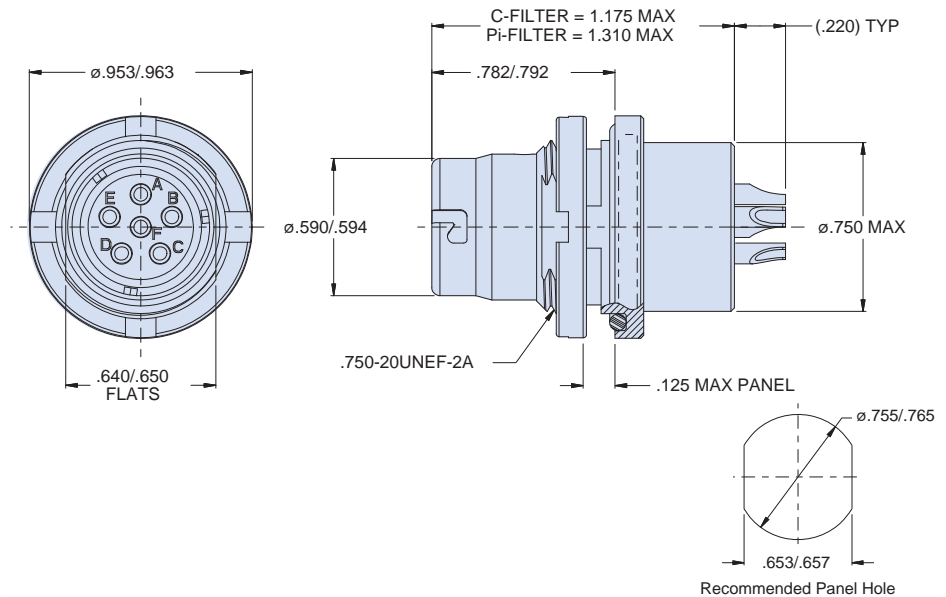


FILTERED RADIO-MOUNT JAM NUT RECEPTACLE WITH NON-RIGID SPRING CONTACTS, SOLDER CUP
MATES WITH 152-001 AND 152-002, 151-001 AND 151-002, AND STANDARD MIL-DTL-55116 PLUGS



How To Order				
Sample Part Number	240-152-003	-1	ZMT	-C A
Series	HiPer 55116 filtered receptacle, solder cups			
Connector Configuration (See Table I)	-1 = 5 pin, solder cup -2 = 6 pin, solder cup			
Shell / Nut Finish	ZMT = Nickel-PTFE			
Filter Type	C = C-Filter P = Pi Filter			
Filter Capacitance	See Table III			

Class	Pi - Circuit (pF)	C - Circuit (pF)
X	160,000 - 240,000	80,000 - 120,000
Y	80,000 - 120,000	40,000 - 60,000
Z	60,000 - 90,000	30,000 - 45,000
A	38,000 - 56,000	19,000 - 28,000
B	32,000 - 45,000	16,000 - 22,500
C	18,000 - 33,000	9,000 - 16,500
D	8,000 - 12,000	4,000 - 6,000
E	3,300 - 5,000	1,650 - 2,500
F	800 - 1,300	400 - 650
G	400 - 600	200 - 300
J	70-120	35-60



600-196 Spanner Tool

Spanner tool with socket drive attachment for all Series 151 and 152 55116 receptacles

5 Contacts	6 Contacts
240-152-003-1	M55116/9 type (U-183) Receptacle, 5 Solder Cup Contacts
240-152-003-2	M55116/10 type (U-183) Receptacle, 6 Solder Cup Contacts

MATERIALS AND FINISHES

Shells and backshells: Stainless steel/PTFE-nickel plated (matte finish)
 Inserts: Diallylphthalate resin type SDG-F Seals: Ethylene propylene rubber
 Contacts: Copper alloy/gold plate Contact Spring: CRES/passivated

NOTES

Connectors are identified with Glenair's name, part number and date code.
 Meets interface configurations and IAW specifications of MIL-DTL-55116, and exceeds:
 Shell-to-shell conductivity: 2.5 milliohms max.
 Cable shield-to-shell conductivity: 2.5 milliohms max.
 Pressure sealing (mated & un-mated): IP68 (10 meters of standing water for 1 hour)
 Salt atmosphere: 1,000 hours (MIL-STD-202, Method 101E)
 Filters meet the requirements of MIL-STD-2120

ELECTRICAL PERFORMANCE

Filter topology and capacitance: see Table III
 Insulation resistance = 1000 Megohms min at 200 VDC DWV = 500 VDC
 Contact resistance (mated): 15 mΩ max average, 20 mΩ max Current rating: 0.5 Amp

HiPer 55116 Filtered Audio Receptacle, Radio Mount with PC tails

240-152-013



TACTICAL INTERCONNECT SOLUTIONS

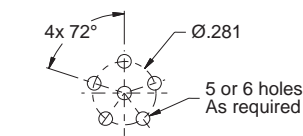
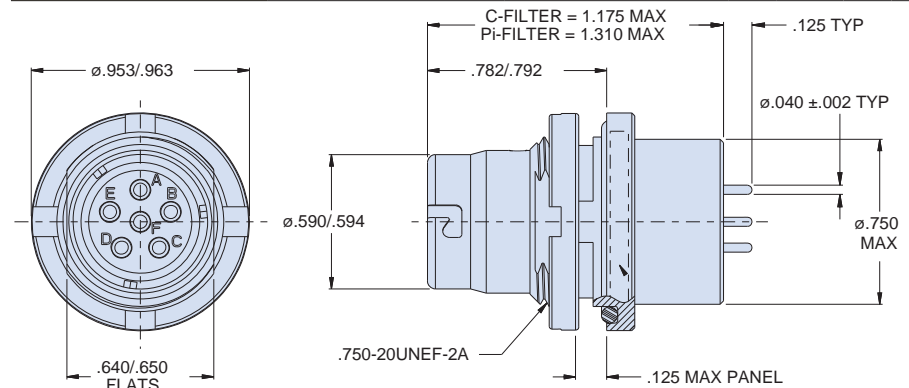
FILTERED RADIO-MOUNT JAM NUT RECEPTACLE WITH NON-RIGID SPRING CONTACTS, PC TAIL

MATES WITH 152-001 AND 152-002, 151-001 AND 151-002, AND STANDARD MIL-DTL-55116 PLUGS

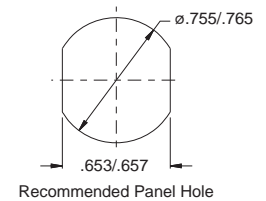


How To Order					
Sample Part Number	240-152-013	-1	ZMT	-C	A
Series	HiPer 55116 filtered receptacle, PC tails				
Connector Configuration (See Table I)	-1 = 5 pin, solder cup -2 = 6 pin, solder cup				
Shell / Nut Finish	ZMT = Nickel-PTFE				
Filter Type	C = C-Filter P = Pi Filter				
Filter Capacitance	See Table III				

Table III: Capacitor Array Code/ Capacitance Range		
Class	Pi - Circuit (pF)	C - Circuit (pF)
X	160,000 - 240,000	80,000 - 120,000
Y	80,000 - 120,000	40,000 - 60,000
Z	60,000 - 90,000	30,000 - 45,000
A	38,000 - 56,000	19,000 - 28,000
B	32,000 - 45,000	16,000 - 22,500
C	18,000 - 33,000	9,000 - 16,500
D	8,000 - 12,000	4,000 - 6,000
E	3,300 - 5,000	1,650 - 2,500
F	800 - 1,300	400 - 650
G	400 - 600	200 - 300
J	70-120	35-60



PCB Hole Layout
(240-152-013-2-*,* Shown)



600-196 Spanner Tool

Spanner tool with socket drive attachment for all Series 151 and 152 55116 receptacles

Table I: Connector Configuration	
5 Contacts	6 Contacts
240-152-013-1	M55116/9 type (U-183) Receptacle, 5 PC Tail Contacts
240-152-013-2	M55116/10 type (U-183) Receptacle, 6 PC Tail Contacts

MATERIALS AND FINISHES

Shells and backshells: Stainless steel/PTFE-nickel plated (matte finish)
 Inserts: Diallylphthalate resin type SDG-F Seals: Ethylene propylene rubber
 Contacts: Copper alloy/gold plate Contact Spring: CRES/passivated

NOTES

Connectors are identified with Glenair's name, part number and date code.
 Meets interface configurations and IAW specifications of MIL-DTL-55116, and exceeds:
 Shell-to-shell conductivity: 2.5 milliohms max.
 Cable shield-to-shell conductivity: 2.5 milliohms max.
 Pressure sealing (mated & un-mated): IP68 (10 meters of standing water for 1 hour)
 Salt atmosphere: 1,000 hours (MIL-STD-202, Method 101E)
 Filters meet the requirements of MIL-STD-2120

ELECTRICAL PERFORMANCE

Filter topology and capacitance: see Table III
 Insulation resistance = 1000 Megohms min at 200 VDC DWV = 500 VDC
 Contact resistance (mated): 15 mΩ max average, 20 mΩ max Current rating: 0.5 Amp





SERIES 151 MIL-DTL-55116 QPL MIL-DTL-55116 QPL Audio Frequency Connectors












Selection Guide



Glenair offers a series of qualified MIL-DTL-55116 audio plugs and receptacles in all standard configurations: field-serviceable plug, plug with overmold adapter, in-line receptacle with wire strain relief, and radio-mount jam nut receptacle. Our family of special-purpose derivatives features performance IAW M55116 specifications with options not available in the mil-spec, and a complement of connector accessories is available including adapters, dummy receptacles, and protective covers.

Series 151 MIL-DTL-55116 Selection Guide				
Part Description	Glenair P/N	Mil P/N, "U" designator	Mates with	Page
 Audio plug, field-serviceable with wire strain relief and rigid contacts, crimp (COTS) and solder cup	151-001	M55116/1 - /4 U-229	152-003 HiPer 55116 type jam nut receptacle 152-004 HiPer 55116 type in-line receptacle 151-003 standard 55116 type jam nut receptacle 151-004 standard 55116 type in-line receptacle any M55116 receptacle	20
 Audio plug with overmold adapter and rigid contacts, crimp (COTS) and solder cup	151-002	M55116/5 - /8 U-182		21
 Radio-mount Jam Nut receptacle with non-rigid spring contacts	151-003	M55116/9 - /10 U-183	152-001 HiPer 55116 type plug 152-002 HiPer 55116 type plug 151-001 standard 55116 type plug 151-002 standard 55116 type plug any M55116 plug	22
 In-line receptacle with wire strain relief and non-rigid spring contacts, crimp (COTS) and solder	151-004	M55116/11 - /14 U-228		23

Series 151 MIL-DTL-55116-Type Special Connectors, Adapters, and Accessories Selection Guide				
Part Description	Glenair P/N	Corresponding Mil P/N, "U" designator	Mates with	Page
 All-metal audio plug with wire strain relief	151-015	M55116/1 - /4 type U-229	152-003 HiPer 55116 type jam nut receptacle 152-004 HiPer 55116 type in-line receptacle 151-003 standard 55116 type jam nut receptacle 151-004 standard 55116 type in-line receptacle any M55116 receptacle	24
 Audio plug with integral configurable 90° backshell	157-008	N/A		25
 Radio-mount jam nut audio receptacle with PC tails	151-005	M55116/9 - /10 type U-183	152-001 HiPer 55116 type plug 152-002 HiPer 55116 type plug 151-001 standard 55116 type plug 151-002 standard 55116 type plug any M55116 plug	26
 Radio-mount jam nut audio receptacle with PC tails and 3 ground pins	151-010			27
 Audio connector feed-thru adapter, 55116 to D38999	157-005	N/A	Adapts any 151- or 152- series 55116 type plug or any M55116 plug to 09-35 D38999 Series III threaded plug.	28
 Audio connector feed-thru adapter, 55116 to Mighty Mouse 804	157-012	N/A	Adapts any 151- or 152- series 55116 type plug or any M55116 plug to 6-6 Series 804 Mighty Mouse plug	29
 Dummy receptacle for series 151 and 152 plugs	657-098	N/A	Any 151- or 152- series plug Any M55116 plug	30
 Protective covers for series 151 and 152 connectors	667-374 667-355	N/A	Any 151- or 152- series connector Any M55116 connector	31
 Rubber protective cover for series 151 and 152 receptacles	151-008	N/A	Any 151- or 152- series receptacle Any M55116 receptacle	32

SERIES 151 MIL-DTL-55116 QPL
MIL-DTL-55116 QPL
Audio Frequency Connectors



**TACTICAL
INTERCONNECT
SOLUTIONS**

Performance Specifications

Series 151 Performance Specifications		
Test Description	Performance Requirements/Specifications	Procedure Per MIL-DTL-55116 Or Other Standard
Dielectric withstanding voltage	No arcing or dielectric breakdown. Sea level: 500 V RMS between each contact, remaining contacts connected together, and to the shell. One minute dwell. High altitude: barometric pressure 3.4 in of mercury, 300 V RMS applied as described above.	4.7.1
Insulation resistance	Not less than 1000 megohms (not less than 100 megohms for unmated connectors following the immersion test). Measured between each contact, remaining contacts connected together, and to the shell.	4.7.2
Contact resistance	Terminal-to-terminal resistance of mated connector contacts shall not exceed 0.050 ohms.	4.7.3
Contact depression	Force required to depress contacts .080 inches from the normal plane of the contact face: Individual contacts: 1.25 lbs. – 1.75 lbs. 5 contacts: 6.25 lbs. – 8.75 lbs. 6 contacts: 7.5 lbs. – 10.5 lbs.	4.8.1
Air pressure	No evidence of leakage through the connector under 2.5 psi applied to contact face and rear of the plug or receptacle	4.8.2
Mating durability	3000 cycles with no mechanical damage. Dielectric, contact resistance and air pressure requirements as described above shall be met after 3000 mating cycles.	4.8.3
Contact retention	Individual contacts capable of withstanding at least 10 pounds axial load applied uniformly at one pound per second.	4.8.4
Compression	No distortion or damage that would affect form, fit, or function at 500 pounds applied to axis.	4.8.6
Pull test	Connectors shall withstand an abrupt axial force of 40 lbs. applied to the shell, and 25 lbs. applied to the cable with no visible damage, and lock and unlock without difficulty.	4.8.7
Bounce	Test on package testing table, operating at 284±2 rpm for 3 hours, circular-synchronous motion in a vertical plane with a one in dia. orbital displacement. Connectors show no evidence of cracking, breaking, or loosening. Connectors will meet electrical and leakage requirements following test.	4.9.1
Vibration	Plugs and receptacles mounted to vibration table, subjected to a simple harmonic motion with amplitude of 0.03 inch (0.06 maximum), frequency varied uniformly from 10-55 Hz., entire range traversed in approximately one minute, for two hours in each of three perpendicular directions. No evidence of cracking, breaking or loosening of parts, and the plug shall not become disengaged from the receptacle.	4.9.2 and MIL-STD-202G, method 201A
Drop	Connectors dropped six times at random from a height of six feet to two inch fir floor backed with concrete or rigid steel frame shall show no degradation in performance, no physical damage that would affect mateability, and no loose parts. Following the test, connectors shall meet electrical and air leakage requirements described above.	4.9.3
Temperature cycling	-55°C to +85°C, 5 cycles. Connectors are capable of mating and unmating during fifth cycle, and meet electrical and air leakage requirements described above.	MIL-STD-202, method 107, test condition A
Salt spray	48 hours, 5% solution, 35°C ± 3°C. No evidence of base metal corrosion.	MIL-STD-202, method 101E, test condition B
Humidity	50% mated and 50% unmated, cycled between 25°C at 80% – 98% relative humidity to 65°C at 90% – 98% relative humidity. Ramp time = 2.5 hrs. Dwell time = 3 hrs., 10 cycles, 240 hrs. total. Following test, connectors meet electrical and air leakage requirements described above.	4.9.6 and EIA-364-31, method IV (step 7a not required)
Water immersion	Plugs assembled to test cables and each other, and to receptacles, immersed in tap water to a depth of six feet for 48 hours. No evidence of leakage into the body of unmated connectors or into the body or contact-face area of mated connectors.	4.9.7

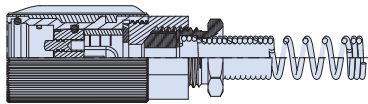
SERIES 151 MIL-DTL-55116 QPL Field-Serviceable Audio Plug with wire strain relief



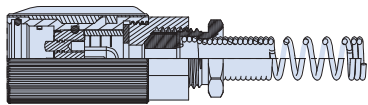
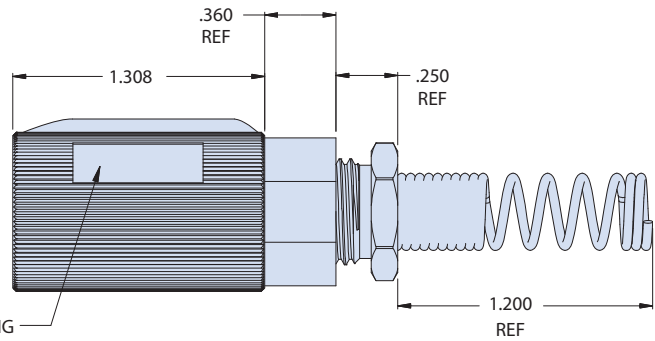
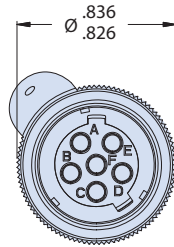
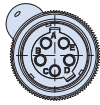
151-001 • M55116/3 - /4 • U-229



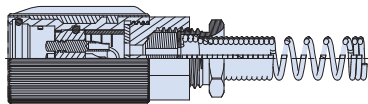
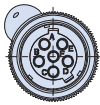
Series 151 MIL-DTL-55116 QPL audio plugs are designed for high-reliability, severe environment radio communications equipment. They are available in both 5 pin and 6 pin configurations, with either crimp sleeve (COTS) or solder cup terminals (QPL). All feature versatile wire strain relief to protect cable conductors from damage. Shells are made of nylon overmolded passivated stainless steel, contacts are gold plated copper alloy. Plug connector contacts are sealed in the unmated condition.



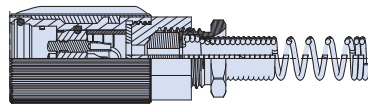
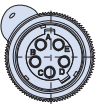
**U-229 Plug,
5 Crimp Contacts**



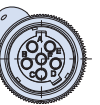
**U-229 Plug,
6 Crimp Contacts**



**U-229 Plug,
5 Solder Cup
Contacts**



**U-229 Plug,
6 Solder Cup
Contacts**



No. of Contacts	Contact Type	Ø Cable ± .010	MIL SPEC Part Number	Glenair Part Number	Mates With
5	Crimp (COTS)	.165	N/A	151-001-1-1	152-003-1 152-004-1 152-004-3
		.228	N/A	151-001-1-2	152-007-5 151-003-1 151-004-1
		.250	N/A	151-001-1-3	151-004-1 151-004-3
		.290	N/A	151-001-1-4	
		.320	N/A	151-001-1-5	
6	Crimp (COTS)	.165	N/A	151-001-2-1	152-003-2 152-004-2 152-004-4
		.228	N/A	151-001-2-2	152-007-6 151-003-2 151-004-2
		.250	N/A	151-001-2-3	151-004-4
		.290	N/A	151-001-2-4	
		.320	N/A	151-001-2-5	
5	Solder Cup (QPL)	.165	M55116/3-1	151-001-3-1	152-003-1 152-004-1 152-004-3
		.228	M55116/3-2	151-001-3-2	152-007-5 151-003-1 151-004-1
		.250	M55116/3-3	151-001-3-3	151-004-1 151-004-3
		.290	M55116/3-4	151-001-3-4	
		.320	M55116/3-5	151-001-3-5	
6	Solder Cup (QPL)	.165	M55116/4-1	151-001-4-1	152-003-2 152-004-2 152-004-4
		.228	M55116/4-2	151-001-4-2	152-007-6 151-003-2 151-004-2
		.250	M55116/4-3	151-001-4-3	151-004-4
		.290	M55116/4-4	151-001-4-4	
		.320	M55116/4-5	151-001-4-5	

SERIES 151 MIL-DTL-55116 QPL
Molded Audio Plug
 151-002 • M55116/7 - /8 • U-182



**TACTICAL
 INTERCONNECT
 SOLUTIONS**



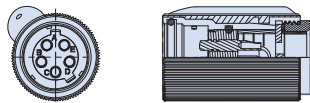
Series 151 MIL-DTL-55116 QPL molded audio plugs are designed for overmolding in cable cordsets for high-reliability, severe environment radio communications equipment, and are not field-serviceable. They are available in 5 pin and 6 pin configurations, with crimp sleeve (COTS) or solder cup (QPL) terminals. Shells are made of nylon overmolded passivated stainless steel, contacts are gold plated copper alloy. Plug connector contacts are sealed in the unmated condition.



**U-182 Plug,
 5 Crimp Contacts**



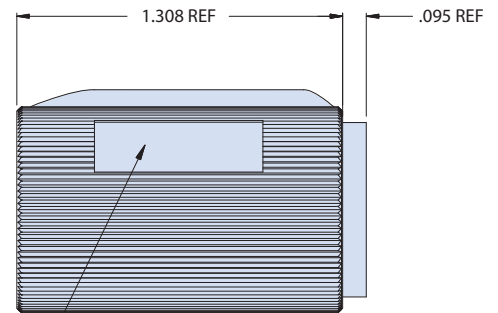
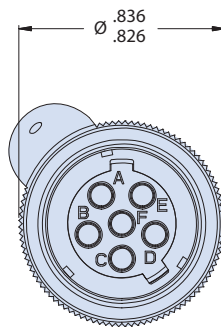
**U-182 Plug,
 6 Crimp Contacts**



**U-182 Plug,
 5 Solder Cup
 Contacts**



**U-182 Plug,
 6 Solder Cup
 Contacts**



FLAT IN KNURLING

No. of Contacts	Contact Type	Ø Cable ± .010	MIL SPEC Part Number	Glenair Part Number	Mates With
5	Crimp	.165	N/A	151-002-1-1	152-003-1
		.228	N/A	151-002-1-2	152-004-1
		.250	N/A	151-002-1-3	152-004-3
		.290	N/A	151-002-1-4	152-007-5
		.320	N/A	151-002-1-5	151-003-1
6	Crimp	.165	N/A	151-002-2-1	151-004-1
		.228	N/A	151-002-2-2	152-003-2
		.250	N/A	151-002-2-3	152-004-2
		.290	N/A	151-002-2-4	152-004-4
		.320	N/A	151-002-2-5	152-007-6
5	Solder Cup	.165	M55116/7-1	151-002-3-1	151-003-2
		.228	M55116/7-2	151-002-3-2	152-004-1
		.250	M55116/7-3	151-002-3-3	152-004-3
		.290	M55116/7-4	151-002-3-4	152-007-5
		.320	M55116/7-5	151-002-3-5	151-003-1
6	Solder Cup	.165	M55116/8-1	151-002-4-1	151-004-1
		.228	M55116/8-2	151-002-4-2	152-003-2
		.250	M55116/8-3	151-002-4-3	152-004-2
		.290	M55116/8-4	151-002-4-4	152-004-4
		.320	M55116/8-5	151-002-4-5	152-007-6
					151-003-2
					151-004-2
					151-004-4

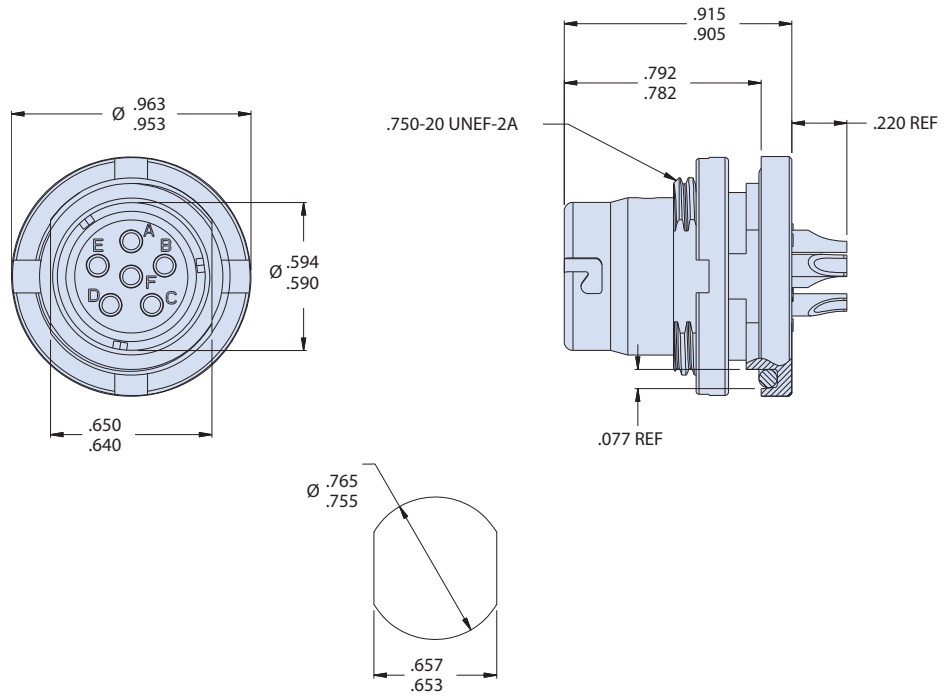
Radio-Mount Jam Nut Audio Receptacle



151-003 • M55116/9 - /10 • U-183



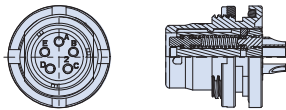
Series 151 MIL-DTL-55116 QPL panel mount jam nut receptacles are designed for high-reliability, severe environment communications equipment. They are available in either a 5 pin or 6 pin configuration. Receptacles are equipped with solder cup spring terminals and a jam nut for panel mounting. Shells and nuts are made of passivated stainless steel, contacts are gold plated copper alloy. Receptacle connector contacts are sealed in the unmated condition.



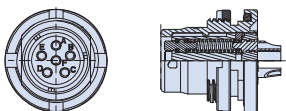
600-196 Spanner Tool

Spanner tool with socket drive attachment for all Series 151 and 152 55116 receptacles

Recommended Panel Hole



**U-183 Jam Nut Receptacle,
5 Solder Cup Contacts**



**U-183 Jam Nut Receptacle,
6 Solder Cup Contacts**

No. of Contacts	Contact Type	MIL SPEC Part Number	Glenair Part Number	Mates With
5	Solder Cup	M55116/9-0	151-003-1	152-001-1 152-001-3 152-002-1 152-002-3 152-005-5 152-006-5 151-001-1 151-001-3 151-002-1 151-002-3
6	Solder Cup	M55116/10-0	151-003-2	152-001-2 152-001-4 152-002-2 152-002-4 152-005-6 152-006-6 151-001-2 151-001-4 151-002-2 151-002-4

SERIES 151 MIL-DTL-55116 QPL In-Line Audio Receptacle with wire strain relief

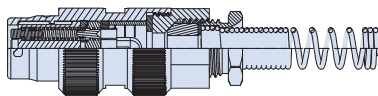
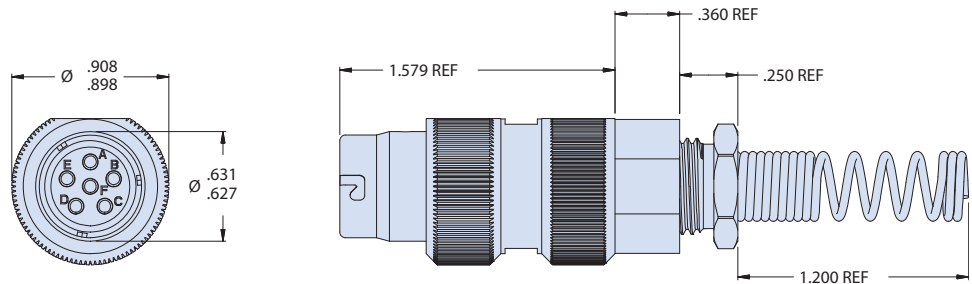


TACTICAL INTERCONNECT SOLUTIONS

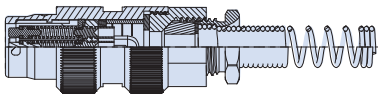
151-004 • M55116/13 - /14 • U-228



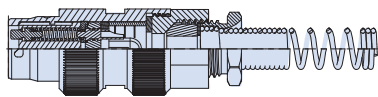
Series 151 MIL-DTL-55116 QPL in-line audio receptacles are designed for high-reliability tactical communications equipment. They are available in both 5 pin and 6 pin configurations, with either crimp sleeve (COTS) or solder cup (QPL) pogo pin terminals. All feature wire strain relief to protect cable conductors from damage. Shells are made of passivated stainless steel, contacts are gold plated copper alloy. Receptacle connector contacts are sealed in the unmated condition.



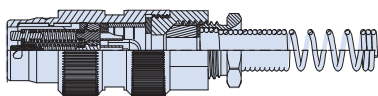
**U-228 Receptacle,
5 Crimp Contacts**



**U-228 Receptacle,
6 Crimp Contacts**



**U-228 Receptacle,
5 Solder Cup
Contacts**



**U-228 Receptacle,
6 Solder Cup
Contacts**



No. of Contacts	Contact Type	Ø Cable ± .010	MIL SPEC Part Number	Glenair Part Number	Mates With
5	Crimp	.165	N/A	151-004-1-1	152-001-1 152-001-3 152-002-1 152-002-3 152-005-5 152-006-5 151-001-1 151-001-3 151-002-1 151-002-3
		.228	N/A	151-004-1-2	
		.250	N/A	151-004-1-3	
		.290	N/A	151-004-1-4	
		.320	N/A	151-004-1-5	
6	Crimp	.165	N/A	151-004-2-1	152-001-2 152-001-4 152-002-2 152-002-4 152-005-6 152-006-6 151-001-2 151-001-4 151-002-2 151-002-4
		.228	N/A	151-004-2-2	
		.250	N/A	151-004-2-3	
		.290	N/A	151-004-2-4	
		.320	N/A	151-004-2-5	
5	Solder Cup	.165	M55116/13-1	151-004-3-1	152-001-1 152-001-3 152-002-1 152-002-3 152-005-5 152-006-5 151-001-1 151-001-3 151-002-1 151-002-3
		.228	M55116/13-2	151-004-3-2	
		.250	M55116/13-3	151-004-3-3	
		.290	M55116/13-4	151-004-3-4	
		.320	M55116/13-5	151-004-3-5	
6	Solder Cup	.165	M55116/14-1	151-004-4-1	152-001-2 152-001-4 152-002-2 152-002-4 152-005-6 152-006-6 151-001-2 151-001-4 151-002-2 151-002-4
		.228	M55116/14-2	151-004-4-2	
		.250	M55116/14-3	151-004-4-3	
		.290	M55116/14-4	151-004-4-4	
		.320	M55116/14-5	151-004-4-5	

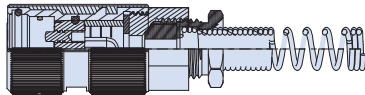
SERIES 151 MIL-DTL-55116 TYPE All-Metal Audio Plug with wire strain relief



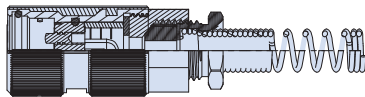
151-015



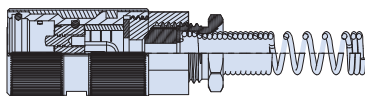
Series 151 MIL-DTL-55116 type all-metal audio plugs are designed for high-reliability, severe environment radio communications equipment. They are available in both 5 pin and 6 pin configurations, with either crimp sleeve (COTS) or solder cup terminals (QPL). All feature versatile wire strain relief to protect cable conductors from damage. Shells are made of passivated stainless steel, contacts are gold plated copper alloy. Plug connector contacts are sealed in the unmated condition.



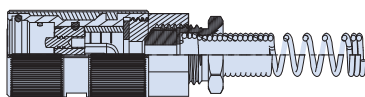
**U-329 Plug,
5 Crimp Contacts**



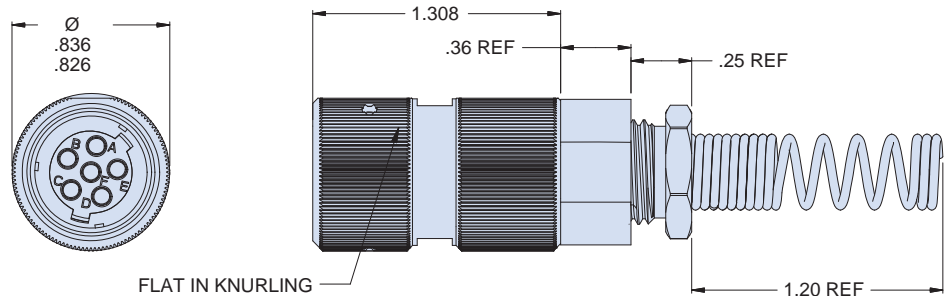
**U-329 Plug,
6 Crimp Contacts**



**U-329 Plug,
5 Solder Cup
Contacts**



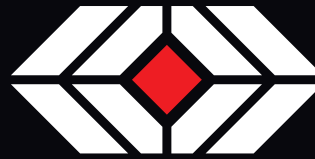
**U-329 Plug,
6 Solder Cup
Contacts**



No. of Contacts	Contact Type	Ø Cable ± .010	MIL SPEC Part Number	Glenair Part Number	Mates With
5	Crimp (COTS)	.165	N/A	151-015-1-1	152-003-1
		.228	N/A	151-015-1-2	152-004-1
		.250	N/A	151-015-1-3	152-004-3
		.290	N/A	151-015-1-4	152-007-5
		.320	N/A	151-015-1-5	151-003-1
6	Crimp (COTS)	.165	N/A	151-015-2-1	151-004-1
		.228	N/A	151-015-2-2	152-003-2
		.250	N/A	151-015-2-3	152-004-2
		.290	N/A	151-015-2-4	152-004-4
		.320	N/A	151-015-2-5	152-007-6
5	Solder Cup (QPL)	.165	N/A	151-015-3-1	151-003-2
		.228	N/A	151-015-3-2	151-004-2
		.250	N/A	151-015-3-3	151-004-4
		.290	N/A	151-015-3-4	151-003-1
		.320	N/A	151-015-3-5	151-004-1
6	Solder Cup (QPL)	.165	N/A	151-015-4-1	151-004-3
		.228	N/A	151-015-4-2	152-003-2
		.250	N/A	151-015-4-3	152-004-2
		.290	N/A	151-015-4-4	152-004-4
		.320	N/A	151-015-4-5	152-007-6

SERIES 151 MIL-DTL-55116 TYPE Audio Plug with 8-position configurable 90° cable entry

157-008

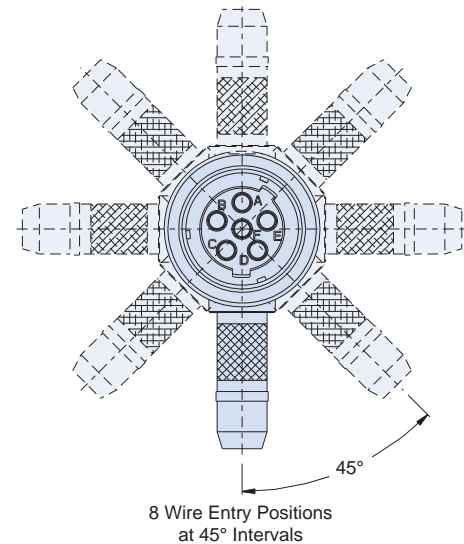
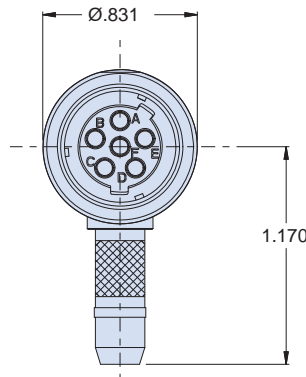
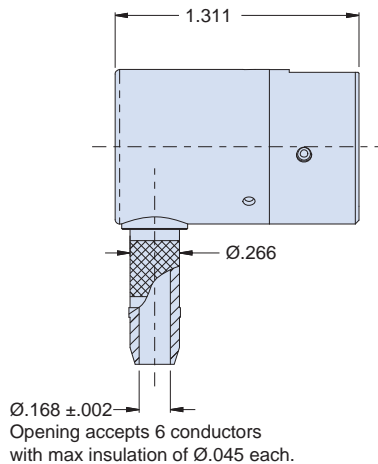


TACTICAL INTERCONNECT SOLUTIONS



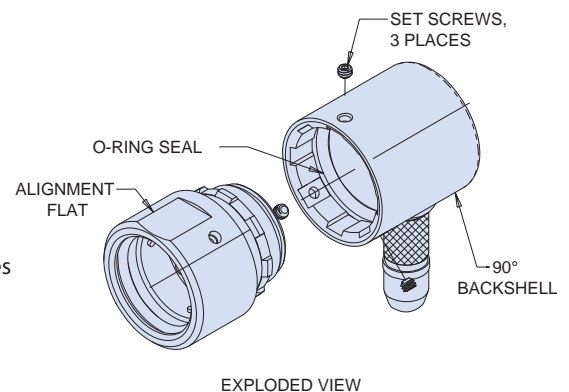
157-008 MIL-DTL-55116 type audio plugs feature 90° cable entry with an integrated, configurable 8-position backshell. 6 conductors accommodation with max Ø .045" insulation each. Available in both 5 pin and 6 pin configurations. Shells are made of passivated stainless steel, contacts are gold plated copper alloy. Plug connector contacts are sealed in the unmated condition.

How To Order		
Sample Part Number	157-008	-2
Product Series	MIL-DTL-55116 type audio plug with 90° cable entry	
Connector Style	-1 = 5 pin -2 = 6 pin	



CABLE ASSEMBLY INSTRUCTIONS FOR 157-008

- Strip the cable back 2.125" – 2.375" In and cut back the shield to leave .750" – .875" from the cable jacket.
- Strip the end of the wires back .15" – .19" and pre-tin the ends.
- Slide the adhesive-lined shrink tubing over the cable to shrink later.
- Insert the 5 or 6 wires into the ferrule and out the front of the backshell, guiding the shield over the ferrule to provide sufficient wire to exit the backshell.
- A short piece of shrink tubing may be applied to each of the individual wires to shrink after soldering. If used, slide shrink tubing down each wire before soldering.
- Solder the pre-tinned wires to the appropriate contact position.
- Shrink the individual shrink sleeves over the solder bucket and wires.
- Position the flat relative to the desired ferrule exit angle. Rotate the connector to form a service loop and push into the backshell until the alignment keys come close to the keyways. Then rotate the connector back to the desired angle and push into the backshell until seated.
- Lock down each of the 3 set screws while holding the backshell tight against the plug connector. Apply Loctite Theadlocker 290 and torque the screws 3.2 In lbs.
- Push the cable against the end of the ferrule and wind the constant force spring (3M CFS 59, not supplied) over the shield. Slide the shrink sleeve over the ferrule and constant force spring. Shrink down and observe that the adhesive exits on each end.



Your assembly is now complete.

SERIES 151 MIL-DTL-55116 TYPE Jam Nut Audio Receptacle with PC tails

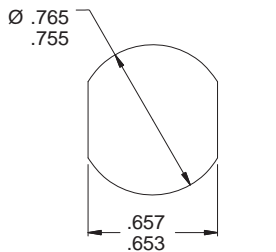


151-005

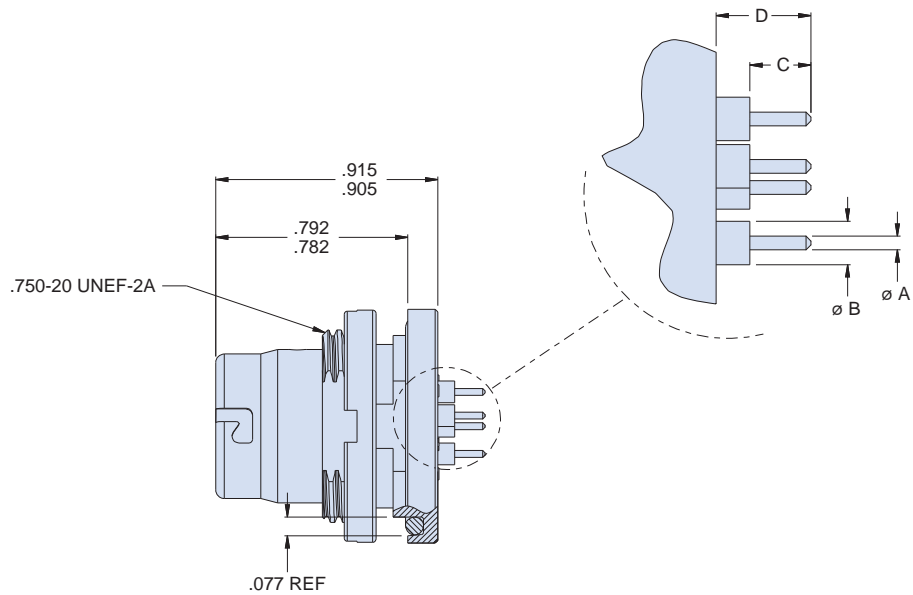
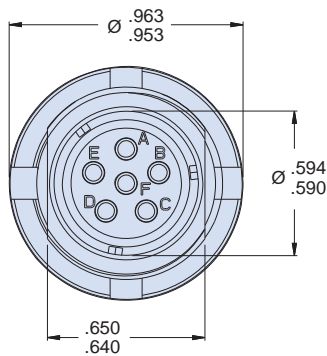


151-005 MIL-DTL-55116 type receptacles available in 5 or 6 pin configuration, equipped with PC tails. Shell and nut is stainless steel with passivated/light sand blasted finish IAW MIL-F-14072 type F300. Also available with Nickel-PTFE finish. Contacts are gold plated copper.

How To Order				
Sample Part Number	151-005	-2	-4	-ZMT
Product Series	MIL-DTL-55116 type jam nut audio receptacle with PC tail contacts			
Connector Style	-1 = U-183 type 5-pin -2 = U-183 type 6-pin			
PC tail type	see Table II			
Finish option	-ZMT = Nickel-PTFE finish. Leave blank for standard passivated finish			



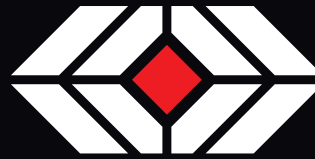
Recommended Panel Hole



600-196 Spanner Tool	
	Spanner tool with socket drive attachment for all Series 151 and 152 55116 receptacles

Table II: PC Tail Dimensions				
Dash No.	Ø A	Ø B	C	D
-1	.040	.089	.115	.169
-2	.040	—	—	.437
-3	.028	.089	.188	.590
-4	.028	.089	.125	.194
-5	.028	.089	.208	.257
-6	.040	—	—	.110
-7	.028	.089	.150	.437
-8	.030	—	—	.120
-9	.028	.089	.140	.390
-10	.040	—	—	.744
-11	.030			.564
-12	.040			.110
-13	.040			.900
-14	.040			.257

SERIES 151 MIL-DTL-55116 TYPE Jam Nut Audio Receptacle with PC Tails and 3 ground pins



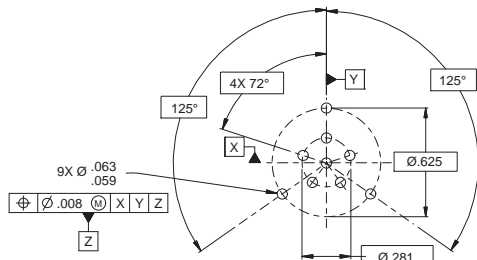
TACTICAL INTERCONNECT SOLUTIONS

151-010



151-010 MIL-DTL-55116 type receptacles available in 5 or 6 pin configuration, equipped with PC tails and 3 shell ground contacts. Shell and nut are stainless steel with passivated/light sand blasted finish IAW MIL-F-14072 type F300. Contacts are gold plated copper.

How To Order			
Sample Part Number	151-010	-2	-4
Product Series	MIL-DTL-55116 type jam nut audio receptacle with PC tail contacts and 3 shell ground contacts		
Connector Style	-1 = U-183 type 5-pin -2 = U-183 type 6-pin		
PC tail type	see Table II		



PCB HOLE LAYOUT
(151-010-2-X SHOWN)
Angular position of PCB tails is $\pm 2^\circ$.
PCB layout will accommodate this tolerance.

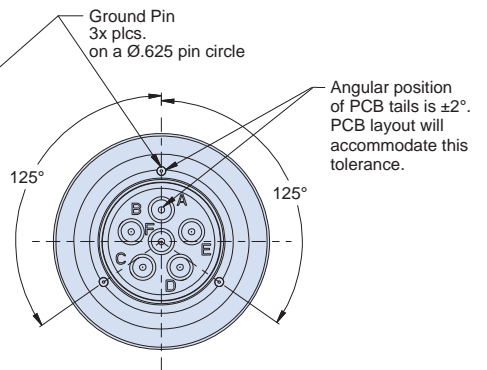
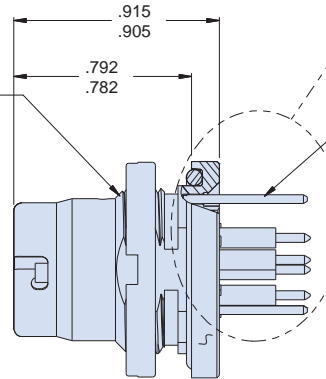
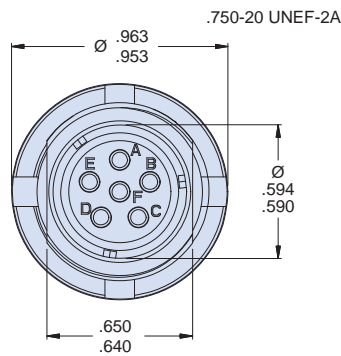
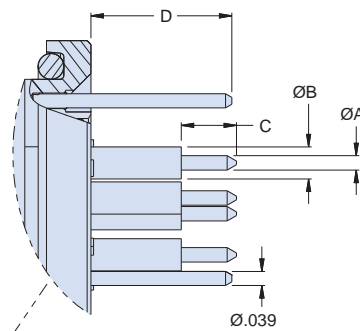
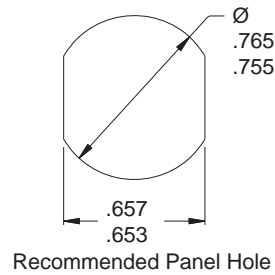


Table II: PC Tail Dimensions				
Dash No.	Ø A	Ø B	C	D
-1	.040	.089	.115	.169
-2	.040	—	—	.437
-3	.028	.089	.188	.590
-4	.028	.089	.125	.194
-5	.028	.089	.208	.257
-6	.040	—	—	.110
-7	.028	.089	.150	.437
-8	.030	—	—	.120
-9	.028	.089	.140	.390
-10	.040	—	—	.744
-11	.030			.564
-12	.040			.110
-13	.040	—	—	.900

600-196 Spanner Tool	
	Spanner tool with socket drive attachment for all Series 151 and 152 55116 receptacles

SERIES 151 MIL-DTL-55116 TYPE Audio Connector Feed-Thru Adapter, 55116 to D38999

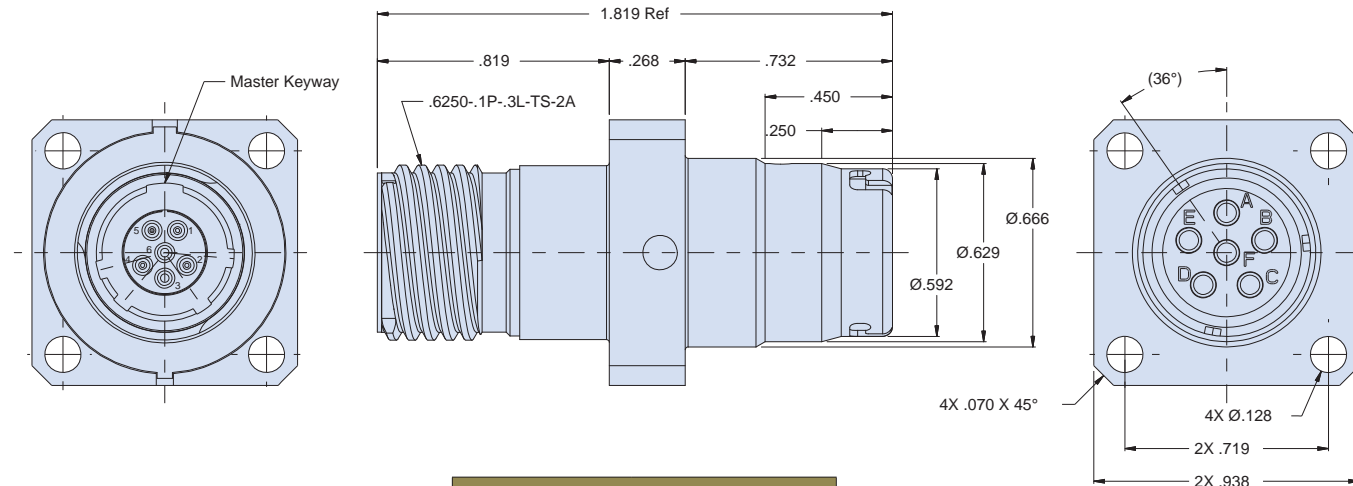


157-005



157-005 is a wall/panel-mount, square-flange feed-thru adapter. MIL-DTL-55116 type receptacle on one side, MIL-DTL-38999 Series III threaded plug on the other, shell size 09, insert arrangement 09-35. Stainless steel passivated shells, gold-plated copper alloy contacts.

How To Order	
Sample Part Number	157-005
Product Series	MIL-DTL-55116 to D38999 Series III Adapter



Contact Assignments	
MIL-DTL-55116	MIL-DTL-38999
A	1
B	2
C	3
D	4
E	5
F	6

SERIES 151 MIL-DTL-55116 TYPE Audio Connector Feed-Thru Adapter, 55116 to Mighty Mouse



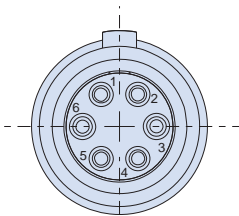
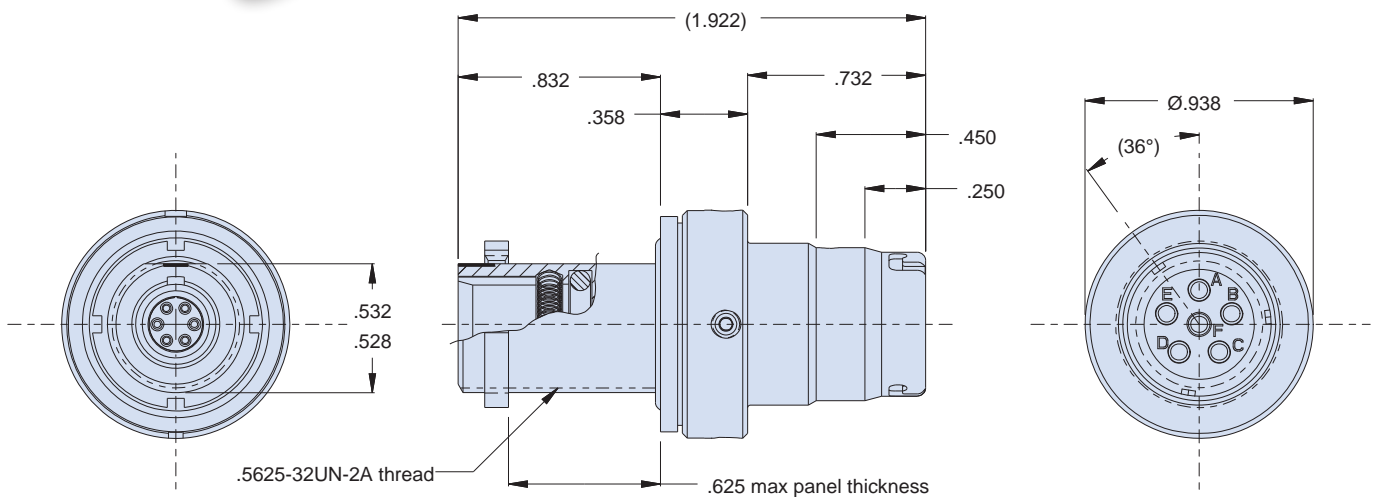
TACTICAL INTERCONNECT SOLUTIONS

157-012



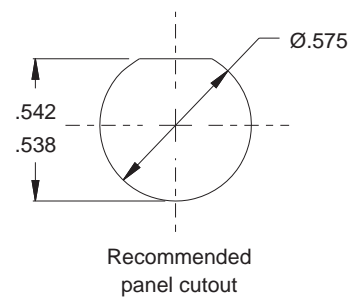
157-012 jam nut adapter mates to any M55116 /2, /4, /6, or /8 audio plug on one end, and a Series 804 Mighty Mouse push-pull connector with a 6-6 arrangement on the other, such as 804-001 or 804-002, Z1 material/finish code. Stainless steel passivated shell/jam nut, gold-plated copper contacts and copper alloy contact springs.

How To Order	
Sample Part Number	157-012
Product Series	MIL-DTL-55116 to Series 804 Mighty Mouse Adapter



804 Series 6-6 arrangement

Contact Assignments	
MIL-DTL-55116	Series 804 Mighty Mouse
A	2
B	1
C	5
D	4
E	3
F	6



Recommended panel cutout

SERIES 151 MIL-DTL-55116 TYPE Dummy Receptacle for Series 151 and 152 Plugs

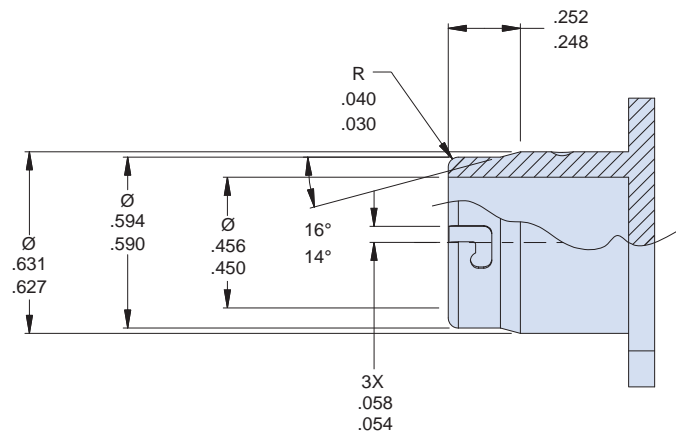
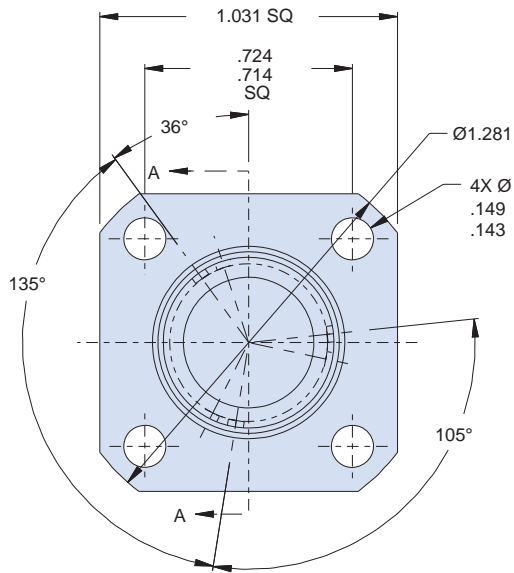
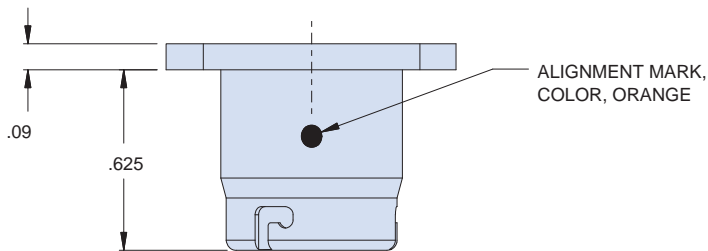


657-098

657-098 dummy receptacle mates with all Glenair series 151 and 152 MIL-DTL-55116 plugs. Stainless steel construction with black oxide finish per MIL-C-13924, Class 4.



How To Order	
Sample Part Number	657-098
Product Series	MIL-DTL-55116 type dummy receptacle



SERIES 151 MIL-DTL-55116 TYPE Protective Covers for 151 and 152 Series Plugs/Receptacles



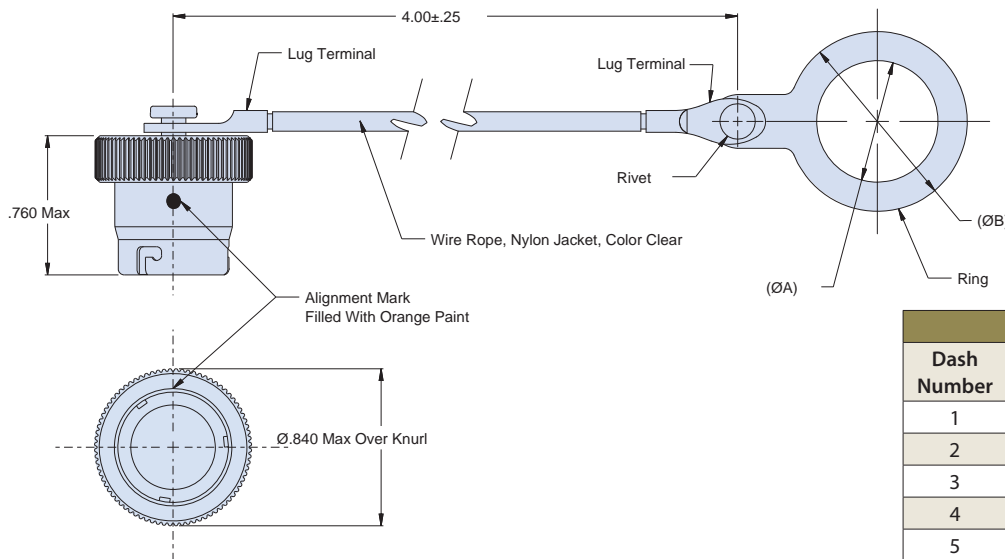
TACTICAL INTERCONNECT SOLUTIONS

667-374 and 667-355



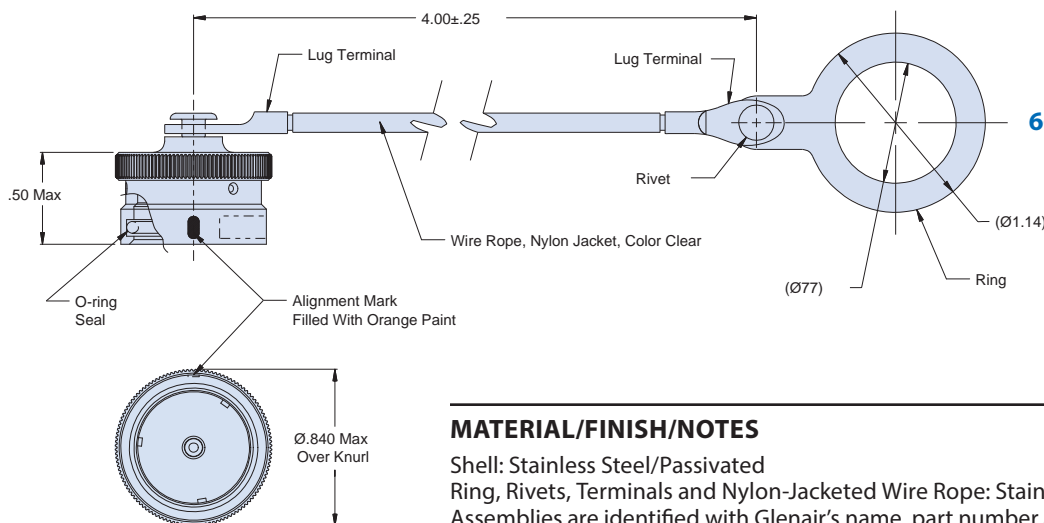
667-374/355 Protective Covers are designed for high-reliability, severe environment communications Series 151 MIL-DTL-55116 Type Connectors and meet the interface configurations and specifications of MIL-DTL-55116C.

How To Order			
Sample Part Number	667-374	ZMT	-3
Cover Configuration	667-374 = Plug cover 667-355 = Receptacle cover		
Finish	ZMT = Nickel Teflon over Passivated Stainless Steel (Omit for Stainless Steel, Passivated)		
Dash Number (Plug Cover only)	See Table I		



667-374 Plug cover

Table 1 Plug Cover Dash No.		
Dash Number	A Dia	B Dia
1	.516 (13.11)	.891 (22.63)
2	.587 (14.91)	.805 (20.45)
3	.587 (14.91)	.805 (20.45)
4	.646 (16.41)	1.016 (25.81)
5	.713 (18.11)	.995 (25.27)



667-355 Receptacle cover

MATERIAL/FINISH/NOTES

Shell: Stainless Steel/Passivated
Ring, Rivets, Terminals and Nylon-Jacketed Wire Rope: Stainless Steel/Passivated
Assemblies are identified with Glenair's name, part number and date code, space permitting.

SERIES 151 MIL-DTL-55116 TYPE Rubber Protective Cover for Sr. 151/152 Receptacles

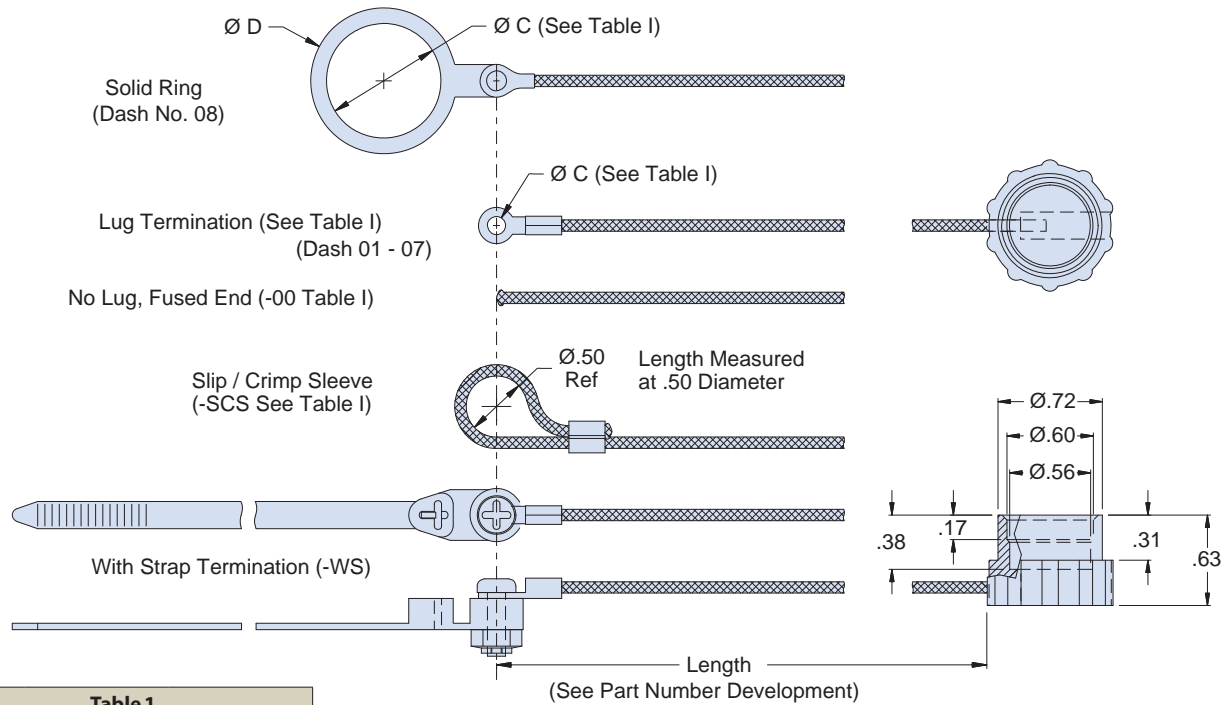


151-008



151-008 Rubber Protective Covers are designed for high-reliability, severe environment communications Series 151 MIL-DTL-55116 Type receptacles, and meet the interface configurations and specifications of MIL-DTL-55116C.

How To Order				
Sample Part Number	151-008	-G	4	-WS
Product Series	Rubber cover for 151 series receptacles			
Nylon cord attachment	-G = basic nylon cord attachment (Omit for none)			
Attachment Length	In inches, $\pm .25$ (6.35)			
Attachment Dash No.	00 = no terminal WS = with strap SCS = slip/crimp sleeve See Table I			



Dash Number	C Dia $\pm .010$ (0.3)	D Dia $\pm .010$ (0.3)
01	.126 (3.2)	.30 (7.6)
02	.140 (3.6)	.30 (7.6)
03	.145 (3.7)	.30 (7.6)
04	.156 (4.0)	.30 (7.6)
05	.167 (4.2)	.30 (7.6)
06	.188 (4.8)	.30 (7.6)
07	.197 (5.0)	.30 (7.6)
08	.766 (19.5)	1.14 (29.0)

MATERIAL/FINISH/NOTES

Cover: Neoprene, no finish
 Cord: 1/16" diameter nylon
 Tie-Wrap Strap: black nylon
 Screw and Locknut: CRES, passivated
 Slip/Crimp Sleeve: copper/black chromate over zinc cobalt
 Assemblies are identified with Glenair's name, part number and date code, space permitting.
 Slip/Crimp Sleeve (-SCS) attachment provides an adjustable "slip-knot" style termination. Alternatively, after positioning cord onto a cable, it can be crimped with pliers to attach permanently.

BAND-MASTER ATS® EMI/RFI Shield Termination



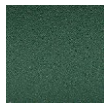
TACTICAL INTERCONNECT SOLUTIONS

Nano banding tool and bands for Series 151 and 152 connectors with banding platforms

THE 601-108 BAND-MASTER ATS® NANO TOOL WITH COUNTER FOR NANO BANDS



Color-coded tool handle:



= Nano; Green

Weighs 1.15 lbs., and is designed for nano flat .075" width clamping bands in a tension range from 20 to 50 lbs. Calibrate at 50 lbs. \pm 3 lbs. for most shield terminations. Tool and band should never be lubricated.

Bands	Band-Master ATS® Nano Band Selection					
	Length		Part Number		Fits Diameter	
	in.	mm.	Flat	Pre-Coiled	in.	mm.
Short Nano	6.0	152.4	601-500	601-501	.60	15.2
Medium Nano	9.0	228.6	601-504	601-505	.94	23.9
Long Nano	14.0	355.6	601-508	601-509	1.8	45.7

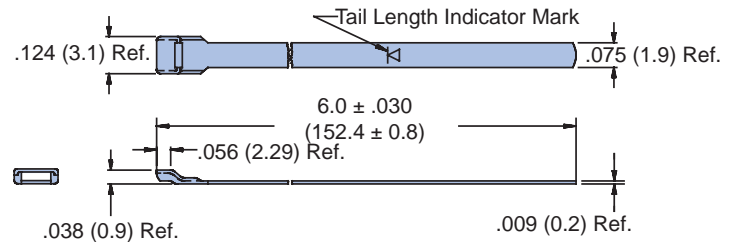
Cable Pull Strength for Band-Master ATS® Nano Bands							
Name	Material Type	Band Width		Band Thickness		Tool Setting	Cable Pull Strength
		In.	mm.	In.	mm.		
Nano	300 SS	0.075	1.91	.009	.23	50 \pm 3 lbs	50 lbs*

* Nano Bands are work hardened to achieve higher cable pull force

Short Flat 601-500

Short Precoiled 601-501

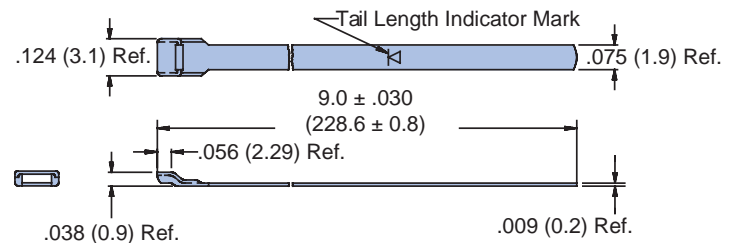
Nano Bands are precision constructed of work hardened, 300 Series SST passivate IAW AMS 2700. Short nano bands are 6.00 inches (152.4) in length and designed for use with the 601-108 Band-Master™ ATS hand banding tool or the 601-118 pneumatic banding tool. Bands should always be double wrapped and will accommodate diameters up to approximately .60 inches (15.2).



Medium Flat 601-504

Medium Precoiled 601-505

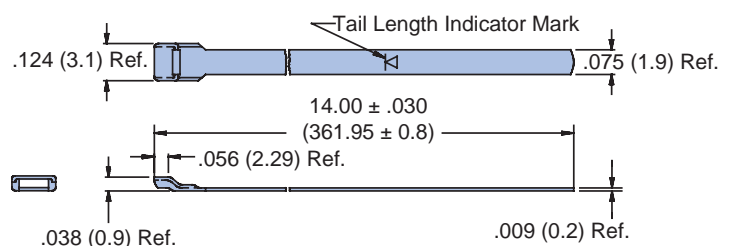
Nano Bands are precision constructed of work hardened, 300 Series SST passivate IAW AMS 2700. Medium nano bands are 9.00 inches (228.6) in length and designed for use with the 601-108 Band-Master™ ATS hand banding tool or the 601-118 pneumatic banding tool. Bands should always be double wrapped and will accommodate diameters up to approximately .94 inches (23.9).



Long Flat 601-508

Long Precoiled 601-509

Nano Bands are precision constructed of work hardened, 300 Series SST passivate IAW AMS 2700. Long nano bands are 14.25 inches (361.95) in length and designed for use with the 601-108 Band-Master™ ATS hand banding tool or the 601-118 pneumatic banding tool. Bands should always be double wrapped and will accommodate diameters up to approximately 1.8 inches (45.7).





WARFIGHTER TOUGH STAR-PAN™

Multiport power and data hubs for soldier personal area networks

Ruggedized soldier-worn electronics have revolutionized mission effectiveness. But the evolution of advanced radio communications, tactical video, night vision technologies, GPS/navigation, blue force tracking, personal computing and smart phones have added significant mission weight to the dismounted soldier ensemble. Battery power management for this broad range of electronic gear is a significant challenge in terms of mission time, weight and supply logistics. The Glenair STAR-PAN™ data hub and power distribution system enables soldiers to make the most of Personal Area Network (PAN) devices—improving situational awareness, surveillance, intelligence and reconnaissance—while optimizing power monitoring, conditioning, and distribution performance.

Importantly, all STAR-PAN™ technologies, from field-proven Glenair connectors and cables to the low-profile hub enclosures are designed for optimal size, weight, and ruggedized mil-spec performance. Glenair STAR-PAN™ hubs feature integrated connectors and brazed construction: no bulky bolt-on connectors to vibrate loose, no tongue-and-groove construction leading to poor environmental or EMC performance.



STAR-PAN™ packaging reduces heat and increases power efficiency and battery life

- Versatile 2, 4, and 6-port USB high-speed hub configurations
- Compatible with USB 1.1, USB 2.0, and SMBus
- Embedded power charging/conditioning electronics in all designs
- Smart power monitoring for longer mission life
- Robust circuit protection
- Sealed and IAW MIL-STD-810 harsh-environment standard



Glenair's Tactical Interconnect Solutions team is backed by six decades of proven, made-in-America interconnect industry performance in service of US and allied armed forces

Export of STAR-PAN™ USB Hub/Power Distribution systems is restricted and/or controlled by U.S. Department of Commerce Export Administration Regulations

WARFIGHTER TOUGH

STAR-PAN™

Multiport USB Hub / Power Distribution Technology for C4ISR Systems



TACTICAL INTERCONNECT SOLUTIONS

STAR-PAN™ HUB AND BOARD TECHNOLOGIES

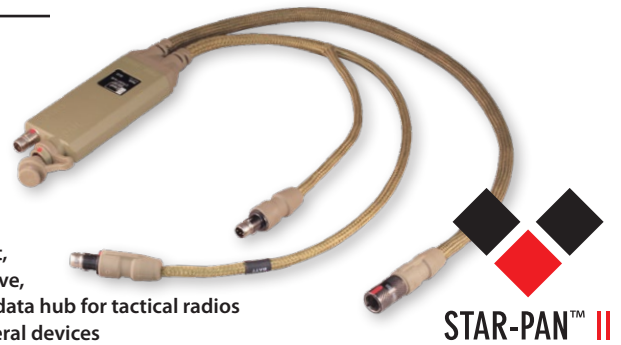


Glenair multiport STAR-PAN™ USB hub and power distribution systems are engineered and manufactured under one ISO 9001 and AS9100 certified quality system in our 1,000,000 sq. ft Southern California factory. All components, from the I/O interconnects to the precision-machined enclosures are produced in-house by Glenair. The STAR-PAN™ system is designed for maximum compatibility with non-proprietary Ethernet* and USB data interfaces, and is capable of smart charging and power distribution for the broad range of military batteries, as well as from Direct Current (DC) power sources including vehicle power, solar panels, kinetic energy devices and fuel cells.

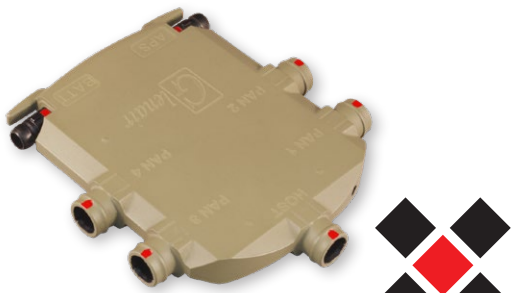
* Requires STAR-PAN™ Ethernet Adapter

STAR-PAN™ II

- Universal PAN compliant ports (up to two devices)
- 1 designated host/EUD port
- 1 designated radio peripheral port
- 1 expandable PAN port for up to two USB peripherals
- Hot-swappable power sources
- Radio-supplied backup power
- Glenair power port management
- Brazed construction, integrated connectors



Lightweight, non-reflective, power and data hub for tactical radios and peripheral devices



Ultraminiature form factor: .50" thick, 3.75" wide, 4.25" tall

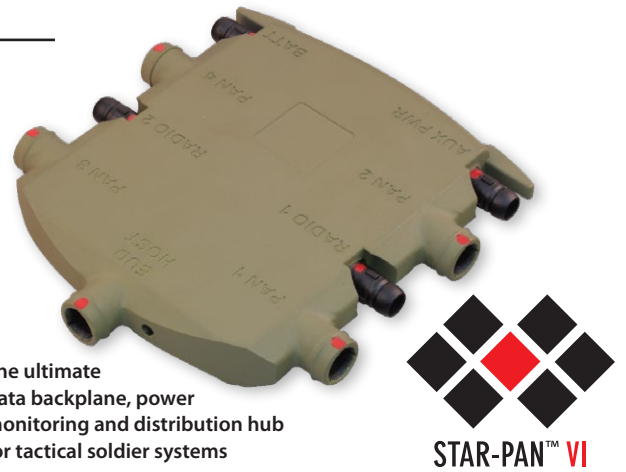


STAR-PAN™ IV

- Universal PAN compliant ports (up to four Devices)
- 1 designated host/EUD port
- 4 PAN receptacles for up to four peripherals
- Battery and auxiliary power source input
- Glenair power port management
- Smart battery charging from auxiliary power
- Up to 5A battery power per port, 5A system total
- Up to 3A 5 Volt VBUS power per port, 5A system total
- Brazed construction, integrated connectors

STAR-PAN™ VI

- Universal PAN compliant ports (up to six devices)
- 1 designated host/EUD port
- 2 designated radio peripheral ports
- 4 PAN receptacles for up to four peripherals
- Battery and auxiliary power source input
- Glenair power port management
- Radio-supplied backup power
- Smart battery charging from auxiliary power
- Up to 5A battery power per port, 5A system total
- Up to 3A 5 Volt VBUS power per port, 5A system total
- Brazed construction, integrated connectors



The ultimate data backplane, power monitoring and distribution hub for tactical soldier systems










WARFIGHTER TOUGH

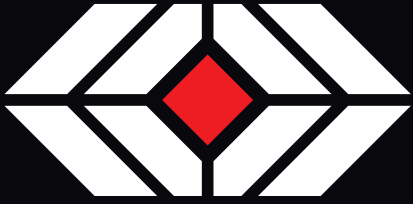
STAR-PAN™

System host, peripheral, radio, and hub charging cable assembly showcase



STAR-PAN™ SYSTEM HOST, PERIPHERAL, RADIO, AND HUB CHARGING CABLE ASSEMBLIES

General-Purpose STAR-PAN™ System Cables					
<p>NETT Warrior (C1) Extension Cable</p>  <p>808-047</p>	<p>Host USB-A Cable</p>  <p>808-079</p>	<p>C4 Micro USB EUD Host Cable</p>  <p>808-046</p>			
STAR-PAN™ Peripheral Device Cables					
<p>TacROVER-e Cable</p>  <p>808-043</p>	<p>Radio Adapter Cable</p>  <p>808-080</p>	<p>USB 2.0 Adapter Cable</p>  <p>808-053</p>			
<p>DAGR GPS/Navigation Cable</p>  <p>808-040</p>	<p>TacROVER-p ISR Receiver Cable</p>  <p>808-045</p>	<p>PLRF-15C/25C Laser Range Finder Cable</p>  <p>808-049</p>			
STAR-PAN™ Power Adapters					
<p>Cigarette Lighter Power Adapter</p>  <p>808-059</p>	<p>AC/DC Power Adapter</p>  <p>808-064</p>	<p>BB5590 / 2590 Battery Adapter</p>  <p>808-048</p>	<p>Hand-Held Radio Battery Adapter</p>  <p>808-066</p>		
STAR-PAN™ Radio Data / Power Cables and Adapters					
<p>Microlight Radio Data Cable</p>  <p>808-044</p>	<p>PRC-117G Radio Data Cable</p>  <p>808-035</p>	<p>Harris Radio Adapter Cable</p>  <p>808-088</p>	<p>PRC-148 Radio Data Adapter</p>  <p>808-039</p>	<p>PRC-152A Radio Data Adapter</p>  <p>808-032</p>	<p>PRC-154 Rifleman Radio Data Adapter</p>  <p>808-051</p>



TACTICAL INTERCONNECT SOLUTIONS

The Glenair Tactical Interconnect Solutions Team is backed by a company of scale with over 3000 technical employees, 1,000,000 sq. feet of manufacturing space, and over 60 years of experience designing and building interconnect solutions for military customers. Here is a quick tour of some of our core capabilities.

Our connector machining and box milling facilities are the largest in the interconnect industry, with ample capacity for both small and large production runs.



Glenair STAR-PAN™ hub assemblies feature integrated / welded I/O interconnects—the ultimate in low-profile, rugged design.



In-house clean room facilities for PCB and flex circuit fabrication as well as EMI/RFI filter array assembly distinguish Glenair from virtually every other supplier of tactical hubs and interconnect power systems.



The Tactical Interconnect team runs its own dedicated STAR-PAN™ termination, assembly, and overmolded cable cell.



Just a small slice of the engineering talent at work at Glenair. In addition to their interconnect design work, the team generates acceptance test requirements for printed circuit boards as well as complete systems.

Glenair®

For more information contact Glenair at **818-247-6000** or visit our website at **www.glenair.com**
U.S. CAGE code 06324



Out of This World
**INTERCONNECT
SOLUTIONS**

Glenair, Inc.

1211 Air Way • Glendale, California • 91201-2497

Telephone: 818-247-6000 • Fax: 818-500-9912 • sales@glenair.com

www.glenair.com

**Glenair Power
Products Group**

860 N. Main Street Extension
Wallingford, CT
06492

Telephone:
203-741-1115
Facsimile:
203-741-0053
sales@glenair.com

Glenair UK Ltd

40 Lower Oakham Way
Oakham Business Park
Mansfield, Notts
NG18 5BY England

Telephone:
+44-1623-638100
Facsimile:
+44-1623-638111
sales@glenair.co.uk

Glenair Microway Systems

7000 North Lawndale Avenue
Lincolnwood, IL
60712

Telephone:
847-679-8833
Facsimile:
847-679-8849

Glenair Nordic AB

Gustav III : S Boulevard 46
SE-169 27 Solna
Sweden

Telephone:
+46-8-50550000
sales@glenair.se

Glenair Electric GmbH

Schaberweg 28
61348 Bad Homburg
Germany

Telephone:
06172 / 68 16 0
Facsimile:
06172 / 68 16 90
info@glenair.de

Glenair Iberica

C/ La Vega, 16
45612 Velada
Spain

Telephone:
+34-925-89-29-88
Facsimile:
+34-925-89-29-87
sales@glenair.es

Glenair Italia S.p.A.

Via Del Lavoro, 7
40057 Quarto Inferiore –
Granarolo dell'Emilia
Bologna, Italy

Telephone:
+39-051-782811
Facsimile:
+39-051-782259
info@glenair.it

Glenair France SARL

7, Avenue Parmentier
Immeuble Central Parc #2
31200 Toulouse
France

Telephone:
+33-5-34-40-97-40
Facsimile:
+33-5-61-47-86-10
sales@glenair.fr

Glenair Korea

B-1304 Gunpo IT Valley
148 Gosan-Ro, Gunpo-Si
Kyunggi-Do, Korea
435-733

Telephone:
+82-31-8068-1090
Facsimile:
+82-31-8068-1092
sales@glenair.kr



X-ON Electronics

Largest Supplier of Electrical and Electronic Components

Click to view similar products for [Circular DIN Connectors](#) category:

Click to view products by [Glenair](#) manufacturer:

Other Similar products are found below :

[D38999/20MJ37PB](#) [75-190222-09G](#) [FRCIR030FP-36-10P-F80](#) [FRCIR08F-18-19S-F80](#) [FRCIR08R-36-7S-F80](#) [8R3006A18M0033](#) [PT05A-14-18SW\(023\)](#) [PT05A-14-5SX](#) [GTC01A-22-28P](#) [PT05A1832SW](#) [PT05A2041SX](#) [PT05SE1832SWLC](#) [PT05SE1832SYLC](#)
[GTC030-20-27PW-LC](#) [ACC06AF-20-23P\(003\)](#) [1210500311](#) [1210503216](#) [ACS00F-16-10S\(003\)](#) [ACS06AF-16-10P\(003\)](#) [D38999/42FE35AN](#)
[D38999/46WE6SN](#) [MS3100F22-23S](#) [MS3100R36-5S](#) [MS3101E28-21S](#) [MS3101E2821SX](#) [MS3102E184PW](#) [MS310314S-5P](#) [MS310314S-6P](#) [MS310314S-7P](#) [MS310322-8S](#) [MS3114F10-6P](#) [MS3116E8-4SW](#) [MS3122E10-6PW](#) [MS3456W28-21PZ-LC](#) [C18213N21](#) [CA3100E14S-9PB](#) [CA3100E14SA7P](#) [CA3100E16-10S](#) [CA3100E16S-8PBF80](#) [CA3100E18-1SBF80A176](#) [CA3100E20-7SB-F80-A176](#) [CA3100E22-14SB](#)
[CA3100E22-14SBF80](#) [CA3100E22-19PBF80](#) [CA3100E22-22SB](#) [CA3100E22-22SBF80](#) [CA3100E22-2SBF80](#) [CA3100E22-7PB](#)
[CA3100E28-21PWB02](#) [CA3100E32-15PB](#)