

# HiPer 55116 Radio Mount Audio Receptacle with PC tails



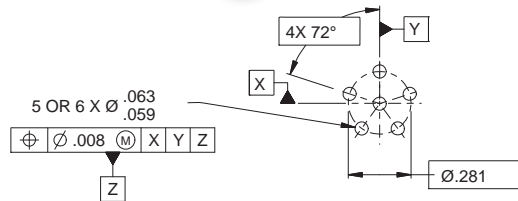
## 152-013

### RADIO MOUNT JAM NUT RECEPTACLE WITH NON-RIGID SPRING CONTACTS, PC TAIL

MATES WITH 152-001 AND 152-002, 151-001 AND 151-002, AND STANDARD MIL-DTL-55116 PLUGS

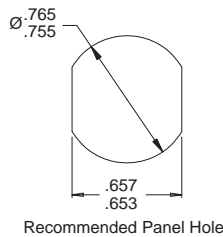


How To Order			
Sample Part Number	152-013	-2	-4
Product Series	HiPer 55116 radio-mount jam nut receptacle with PC tail contacts		
Connector Style	-1 = U-183 type 5-pin    -2 = U-183 type 6-pin		
PC tail type	see Table II		

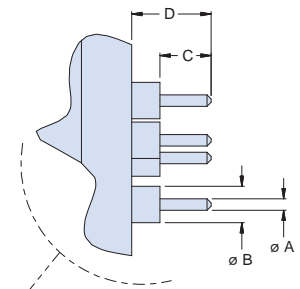


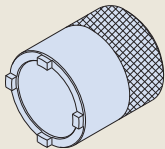
PCB HOLE LAYOUT  
(152-013-2-X SHOWN)

Angular position of PCB tails is  $\pm 2^\circ$ .  
PCB layout will accommodate this tolerance.



Recommended Panel Hole



600-196 Spanner Tool	
	Spanner tool with socket drive attachment for all Series 151 and 152 55116 receptacles

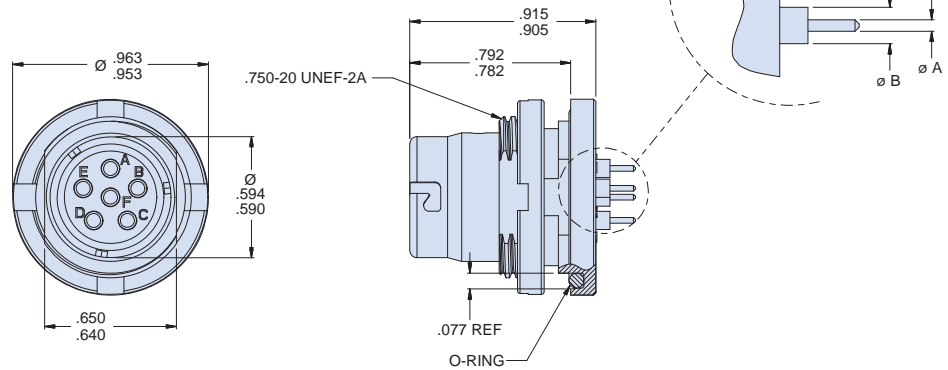


Table II: PC Tail Dimensions				
Dash No.	Ø A	Ø B	C	D
-1	.040	.089	.115	.169
-2	.040	—	—	.437
-3	.028	.089	.188	.590
-4	.028	.089	.125	.194
-5	.028	.089	.208	.257
-6	.040	—	—	.110
-7	.028	.089	.150	.437
-8	.030	—	—	.120
-9	.028	.089	.140	.390
-10	.040	—	—	.744
-11	.030	—	—	.564
-12	.040	—	—	.110
-13	.040	—	—	.900
-14	.040	—	—	.257

### MATERIALS AND FINISHES

Shell and nut: Stainless steel/PTFE-nickel plated (matte finish)  
 Inserts: Diallylphthalate resin type SDG-F  
 Seals: Ethylene propylene rubber  
 Contacts: Copper alloy/gold plate  
 Contact spring: CRES/passivated

### NOTES

Connectors are identified with Glenair's name, part number and date code.  
 Meets interface configurations and IAW specifications of MIL-DTL-55116 Type C, and exceeds the following:  
 Shell-to-shell conductivity: 2.5 milliohms max.  
 Cable shield-to-shell conductivity: 2.5 milliohms max.  
 Contact resistance (mated): 15 milliohms max. average; 20 milliohms max.  
 Pressure sealing (mated & un-mated): IP68 (10 meters of standing water / 1 hr.)  
 Salt atmosphere: 1,000 hours (MIL-STD-202, Method 101E)

## X-ON Electronics

Largest Supplier of Electrical and Electronic Components

*Click to view similar products for [Circular DIN Connectors](#) category:*

*Click to view products by [Glenair](#) manufacturer:*

Other Similar products are found below :

[D38999/20MJ37PB](#) [75-190222-09G](#) [FRCIR030FP-36-10P-F80](#) [FRCIR08F-18-19S-F80](#) [FRCIR08R-36-7S-F80](#) [8R3006A18M0033](#) [PT05A-14-18SW\(023\)](#) [PT05A-14-5SX](#) [GTC01A-22-28P](#) [PT05A1832SW](#) [PT05A2041SX](#) [PT05SE1832SWLC](#) [PT05SE1832SYLC](#)  
[GTC030-20-27PW-LC](#) [ACC06AF-20-23P\(003\)](#) [1210500311](#) [1210503216](#) [ACS00F-16-10S\(003\)](#) [ACS06AF-16-10P\(003\)](#) [D38999/42FE35AN](#)  
[D38999/46WE6SN](#) [MS3100F22-23S](#) [MS3100R36-5S](#) [MS3101E28-21S](#) [MS3101E2821SX](#) [MS3102E184PW](#) [MS310314S-5P](#) [MS310314S-6P](#) [MS310314S-7P](#) [MS310322-8S](#) [MS3114F10-6P](#) [MS3116E8-4SW](#) [MS3122E10-6PW](#) [MS3456W28-21PZ-LC](#) [C18213N21](#) [CA3100E14S-9PB](#) [CA3100E14SA7P](#) [CA3100E16-10S](#) [CA3100E16S-8PBF80](#) [CA3100E18-1SBF80A176](#) [CA3100E20-7SB-F80-A176](#) [CA3100E22-14SB](#)  
[CA3100E22-14SBF80](#) [CA3100E22-19PBF80](#) [CA3100E22-22SB](#) [CA3100E22-22SBF80](#) [CA3100E22-2SBF80](#) [CA3100E22-7PB](#)  
[CA3100E28-21PWB02](#) [CA3100E32-15PB](#)