

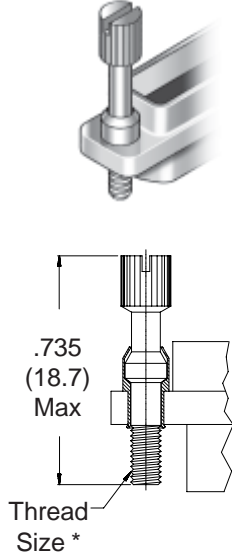
Micro-D Hardware Dimensions and Accessories - Jackpost Kits



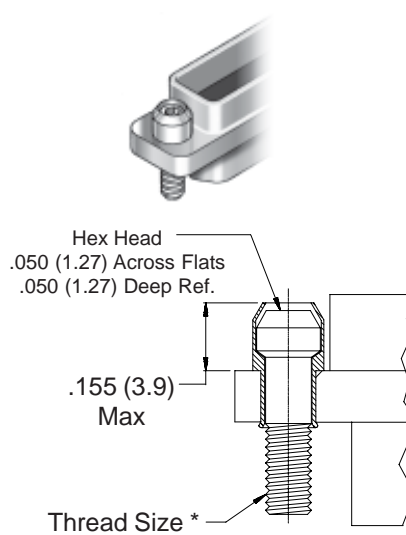
Micro-D
Accessories

FACTORY INSTALLED HARDWARE

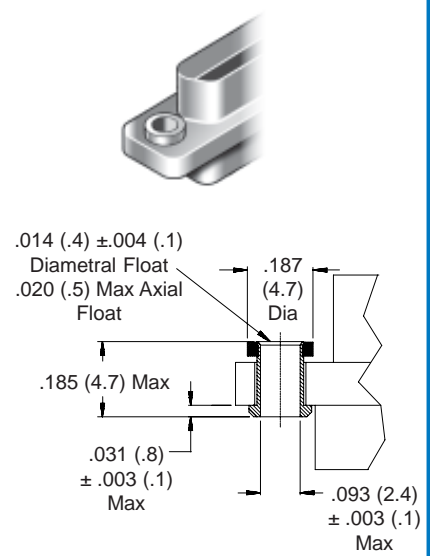
**"K" Style Jackscrew
Non-Removable Slot Head**



**"L" Style Jackscrew
Non-Removable Allen Head**



**"F" Style
Float Mount**



* Thread size for connector sizes 9-51 is #2A-56 UNC, for connector size 100 is #4-40 UNC

Metric dimensions (mm) are indicated in parentheses.

To Most People It's Just a Rubber Connector Cover

At Glenair
It's a Good Ol'
"Marshal Bean"



*"To Protect
and to Serve"*



"M^arshal Beans" provide robust physical and environmental protection while eliminating the damage caused when metal connector covers bang against equipment housings, or when test cables get dragged across the shop floor! The covers come in two material types: a flexible neoprene rubber or a proprietary conductive material which dissipates static electricity.

At Glenair, we reckon a flexible rubber cover is the perfect way to protect an interconnect cable. So isn't it time you hired "Marshal Bean" to ride herd on your connector investment?

Micro-D Jackpost Kits For Solder Cup and Pigtail Connectors



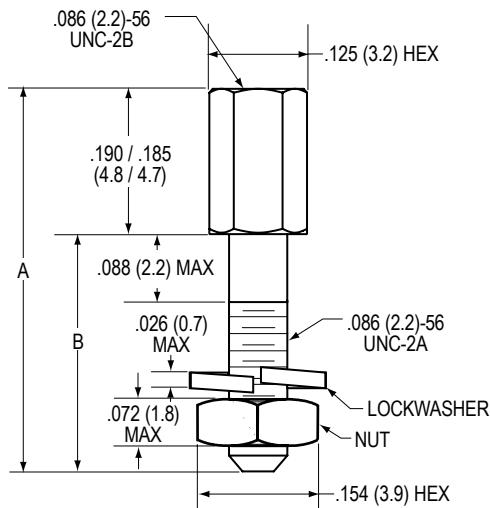
PRODUCT FEATURES

- Compatible with all M83513 type Connectors
- Stainless Steel
- Extended Length Options
- Rear Panel Mounting Options

Jackposts for Front-Mounted Connectors

#2-56 Jackpost

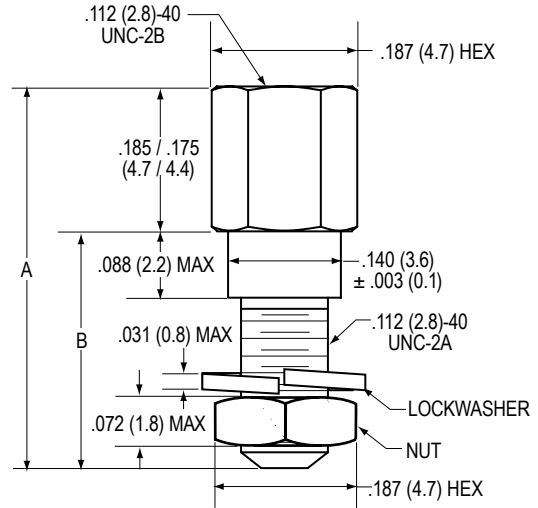
Connector Sizes 9-51



Part Number	Mil Spec Part Number	A ± .015 (0.4)	B ± .020 (0.5)
080-00-00-100	M83513/05-07	.475 (12.1)	.288 (7.3)
500-069-2-1		.688 (17.5)	.500 (12.7)
500-069-2-2		.813 (20.7)	.625 (15.9)
500-069-2-3		.938 (23.8)	.750 (19.1)
500-069-2-4		1.063 (27.0)	.875 (22.2)
500-069-2-5		1.188 (30.2)	1.000 (25.4)

#4-40 Jackpost

Connector Size 100

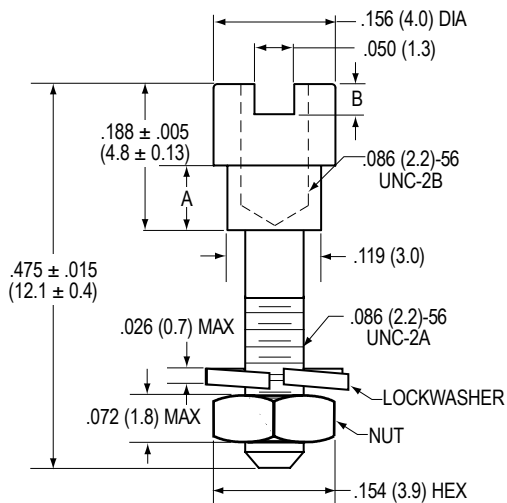


Part Number	Mil Spec Part Number	A ± .015 (0.4)	B ± .020 (0.5)
080-00-00-101	M83513/05-17	.475 (12.1)	.295 (7.3)
500-069-4-1		.680 (17.3)	.500 (12.7)
500-069-4-2		.805 (20.4)	.625 (15.9)
500-069-4-3		.930 (23.6)	.750 (19.1)
500-069-4-4		1.055 (26.8)	.875 (22.2)
500-069-4-5		1.180 (30.0)	1.000 (25.4)

1. Material and Finish Jackpost and Nut: Corrosion resistant steel in accordance with ASTM A484 and ASTM A582, passivated in accordance with ASTM A967. Lockwasher: Corrosion resistant steel in accordance with ASTM A240, passivated in accordance with ASTM A967.
2. Torque #2-56 thread: 2.5 inch-pounds. #4-40 thread: 4.0 inch-pounds. Maximum recommended torque for installation and operation.
3. Standard Package Jackpost kits are packaged one kit per bag. One kit consists of two posts, two nuts and two lockwashers.
4. Application Use #1 through #A (M83513 size H).
Not for use with rear-panel mounted connectors or printed circuit board connectors.

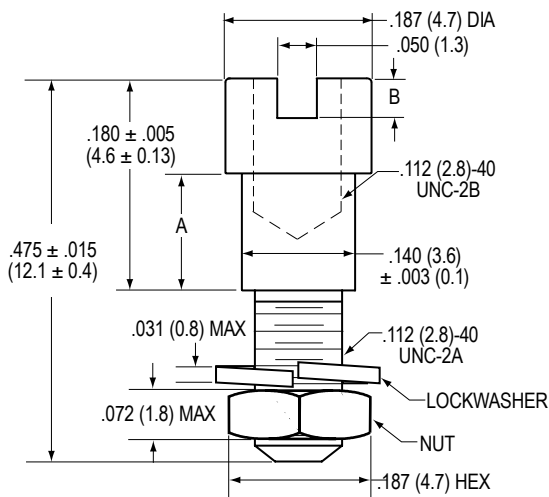
Jackposts for Rear-Mounted Connectors

#2-56 Jackpost Connector Sizes 9-51



Part Number	Panel Thickness	A ± .003 (0.08)	B ± .003 (0.08)
177-504-2-2	1/32 (0.8)	.024 (0.6)	.050 (1.3)
177-504-2-3	3/64 (1.2)	.041 (1.0)	.050 (1.3)
177-504-2-4	1/16 (1.6)	.055 (1.4)	.050 (1.3)
177-504-2-5	3/32 (2.4)	.086 (2.2)	.050 (1.3)
177-504-2-6	1/8 (3.2)	.118 (3.0)	.030 (7.6)

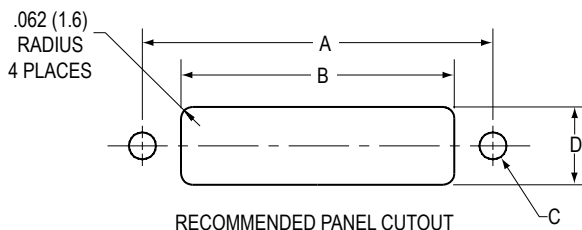
#4-40 Jackpost Connector Size 100



Part Number	Panel Thickness	A ± .003 (0.08)	B ± .003 (0.08)
177-504-4-2	1/32 (0.8)	.024 (0.6)	.050 (1.3)
177-504-4-3	3/64 (1.2)	.041 (1.0)	.050 (1.3)
177-504-4-4	1/16 (1.6)	.055 (1.4)	.050 (1.3)
177-504-4-5	3/32 (2.4)	.086 (2.2)	.050 (1.3)
177-504-4-6	1/8 (3.2)	.118 (3.0)	.030 (7.6)

- Material and Finish** Jackpost and Nut: Corrosion resistant steel in accordance with ASTM A484 and ASTM A582, passivated in accordance with ASTM A967. Lockwasher: Corrosion resistant steel in accordance with ASTM A240, passivated in accordance with ASTM A967.
- Torque** #2-56 thread: 2.5 inch-pounds. #4-40 thread: 4.0 inch-pounds. Maximum recommended torque for installation and operation.
- Standard Package** Jackpost kits are packaged one kit per bag. One kit consists of two posts, two nuts and two lockwashers.
- Application** Use #1 through #11 (M83513 size H). Not for use with printed circuit board connectors. A

Panel Cutout Dimensions



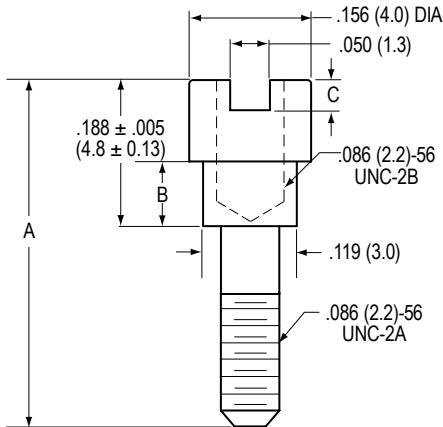
Shell Size	A ± .005 (0.13)	B ± .005 (0.13)	C + .003 (0.08) - .001 (0.03)	D ± .005 (0.13)
9	.565 (14.4)	.406 (10.3)	.125 (3.18)	.256 (6.5)
15	.715 (18.2)	.556 (14.1)	.125 (3.18)	.256 (6.5)
21	.865 (22.0)	.706 (17.9)	.125 (3.18)	.256 (6.5)
25	.965 (24.5)	.806 (20.5)	.125 (3.18)	.256 (6.5)
31	1.115 (28.3)	.956 (24.3)	.125 (3.18)	.256 (6.5)
37	1.265 (32.1)	1.106 (28.1)	.125 (3.18)	.256 (6.5)
51	1.215 (30.9)	1.056 (26.8)	.125 (3.18)	.300 (7.6)
100	1.800 (45.7)	1.520 (38.6)	.147 (3.73)	.406 (10.3)

Micro-D Jackpost Kits For Printed Circuit Board Connectors (Style BS, BR and CBR)

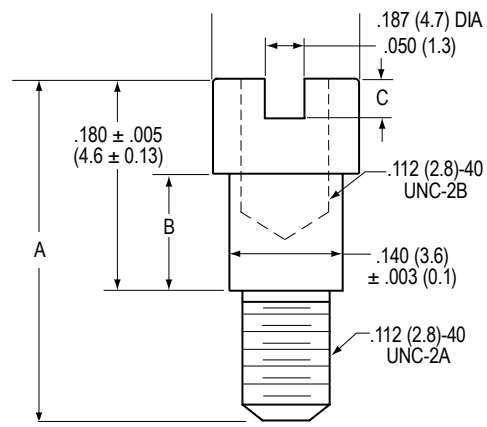


Jackposts for Rear-Mounted PCB Connectors

#2-56 Jackpost Connector Sizes 9-51



#4-40 Jackpost Connector Size 100

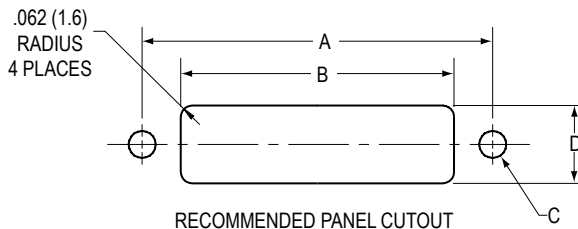


Part Number	Panel Thickness	Connector Style	A ± .015 (0.4)	B ± .003 (0.08)	C ± .003 (0.08)
177-505-A-2-2	1/32 (0.8)	BS, CBR	.365 (9.3)	.024 (0.6)	.050 (1.3)
177-505-A-2-3	3/64 (1.2)	BS, CBR	.365 (9.3)	.041 (1.0)	.050 (1.3)
177-505-A-2-4	1/16 (1.6)	BS, CBR	.365 (9.3)	.055 (1.4)	.050 (1.3)
177-505-A-2-5	3/32 (2.4)	BS, CBR	.365 (9.3)	.086 (2.2)	.050 (1.3)
177-505-A-2-6	1/8 (3.2)	BS, CBR	.365 (9.3)	.118 (3.0)	.030 (7.6)
177-505-B-2-2	1/32 (0.8)	BR	.398 (10.1)	.024 (0.6)	.050 (1.3)
177-505-B-2-3	3/64 (1.2)	BR	.398 (10.1)	.041 (1.0)	.050 (1.3)
177-505-B-2-4	1/16 (1.6)	BR	.398 (10.1)	.055 (1.4)	.050 (1.3)
177-505-B-2-5	3/32 (2.4)	BR	.398 (10.1)	.086 (2.2)	.050 (1.3)
177-505-B-2-6	1/8 (3.2)	BR	.398 (10.1)	.118 (3.0)	.030 (7.6)

Part Number	Panel Thickness	Connector Style	A ± .015 (0.4)	B ± .003 (0.08)	C ± .003 (0.08)
177-505-C-4-2	1/32 (0.8)	BR, CBR	.475 (12.1)	.024 (0.6)	.050 (1.3)
177-505-C-4-3	3/64 (1.2)	BR, CBR	.475 (12.1)	.041 (1.0)	.050 (1.3)
177-505-C-4-4	1/16 (1.6)	BR, CBR	.475 (12.1)	.055 (1.4)	.050 (1.3)
177-505-C-4-5	3/32 (2.4)	BR, CBR	.475 (12.1)	.086 (2.2)	.050 (1.3)
177-505-C-4-6	1/8 (3.2)	BR, CBR	.475 (12.1)	.118 (3.0)	.030 (7.6)
177-505-D-4-2	1/32 (0.8)	BS	.360 (9.1)	.024 (0.6)	.050 (1.3)
177-505-D-4-3	3/64 (1.2)	BS	.360 (9.1)	.041 (1.0)	.050 (1.3)
177-505-D-4-4	1/16 (1.6)	BS	.360 (9.1)	.055 (1.4)	.050 (1.3)
177-505-D-4-5	3/32 (2.4)	BS	.360 (9.1)	.086 (2.2)	.050 (1.3)
177-505-D-4-6	1/8 (3.2)	BS	.360 (9.1)	.118 (3.0)	.030 (7.6)

- Material and Finish** Corrosion resistant steel in accordance with ASTM A484 and ASTM A582, passivated in accordance with ASTM A967.
- Torque** #2-56 thread: 2.5 inch-pounds. #4-40 thread: 4.0 inch-pounds. Maximum recommended torque for installation and operation.
- Standard Package** Jackpost kits are packaged one kit per bag. One kit consists of two posts.
- Application** Rear panel mounting guarantee compatibility of these jackposts with connectors made by other manufacturers.

Panel Cutout Dimensions



Shell Size	A ± .005 (0.13)	B ± .005 (0.13)	+ .003 (0.08) - .001 (0.03)	D ± .005 (0.13)
9	.565 (14.4)	.406 (10.3)	.125 (3.18)	.256 (6.5)
15	.715 (18.2)	.556 (14.1)	.125 (3.18)	.256 (6.5)
21	.865 (22.0)	.706 (17.9)	.125 (3.18)	.256 (6.5)
25	.965 (24.5)	.806 (20.5)	.125 (3.18)	.256 (6.5)
31	1.115 (28.3)	.956 (24.3)	.125 (3.18)	.256 (6.5)
37	1.265 (32.1)	1.106 (28.1)	.125 (3.18)	.256 (6.5)
51	1.215 (30.9)	1.056 (26.8)	.125 (3.18)	.300 (7.6)
100	1.800 (45.7)	1.520 (38.6)	.147 (3.73)	.406 (10.3)



Micro-D Accessories Jackscrew Kits

JACKSCREW KITS (Kits consist of two screws and two e-rings)

**"M" Style Jackscrew
Low Profile Allen Head**



**"S" Style Jackscrew
Low Profile Slot Head**



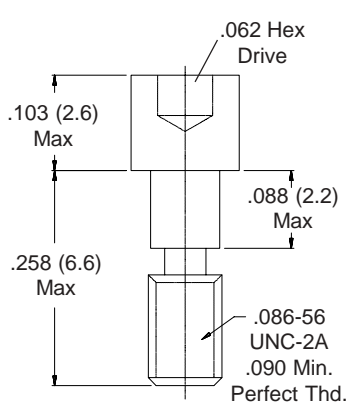
**"M1" Style Jackscrew
High Profile Allen Head**



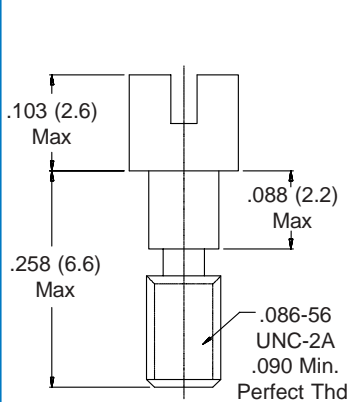
**"S1" Style Jackscrew
High Profile Slot Head**



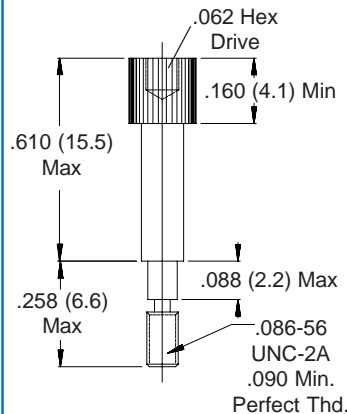
#2-56 FOR 9-51 POSITION CONNECTORS



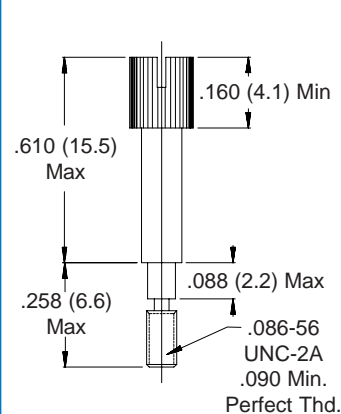
Part Number
080-00-00-502
Mil Spec
M83513/05-02



Part Number
080-00-00-505
Mil Spec
M83513/05-05

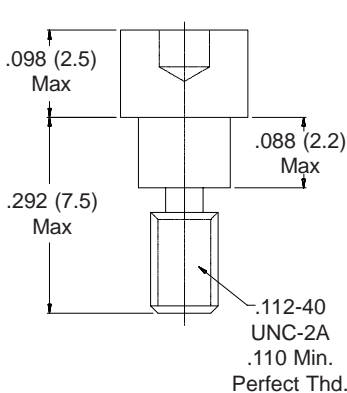


Part Number
080-00-00-503
Mil Spec
M83513/05-03

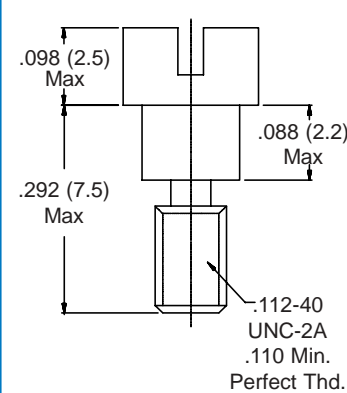


Part Number
080-00-00-506
Mil Spec
M83513/05-06

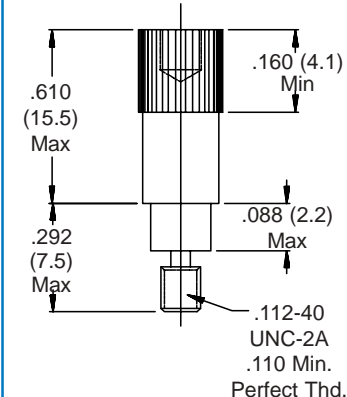
#4-40 FOR 100 POSITION CONNECTORS



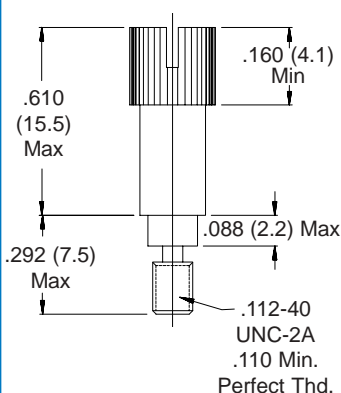
Part Number
080-00-00-512
Mil Spec
M83513/05-12



Part Number
080-00-00-515
Mil Spec
M83513/05-15



Part Number
080-00-00-513
Mil Spec
M83513/05-13



Part Number
080-00-00-516
Mil Spec
M83513/05-16

Metric dimensions (mm) are indicated in parentheses.

© 2003 Glenair, Inc.

CAGE Codes 06324/OCA77

Printed in U.S.A.

X-ON Electronics

Largest Supplier of Electrical and Electronic Components

Click to view similar products for [D-Sub Tools & Hardware](#) category:

Click to view products by [Glenair](#) manufacturer:

Other Similar products are found below :

[000-01-09-132](#) [000-01-21-132](#) [000-01-31-162](#) [572019-00105-70](#) [000-01-37-162](#) [621-250-113-115](#) [D110550-2](#) [D20418-137](#) [780-518-50SG6-WS](#) [86552009](#) [86553115TLF](#) [86553117TLF](#) [1230032-1](#) [1-5021101-2](#) [1589283-4](#) [160-000-005R031](#) [16-000230](#) [160-025-004R031](#) [160-020-209R000](#) [160X10909X](#) [164C03939A](#) [177-505-A-2-2](#) [1-966830-8](#) [21018-6](#) [2-1393560-9](#) [JS-1000](#) [L17D204182M3E](#) [L17D53018](#) [300X10779X](#) [160X10189X](#) [160X10419X](#) [162-000-050R000](#) [21018-5](#) [212561-3](#) [248C21550X](#) [CF15P](#) [D110277](#) [D20418-135](#) [500-008NF1K-01](#) [500-008NF3R3KS-01](#) [500-017M09FN](#) [500-017M15MHN](#) [500-024M1](#) [500-068M3](#) [5-1393561-5](#) [C115373-0001](#) [C115373-0002](#) [3342-4-KIT](#) [K1003](#) [L17D4M68711](#)