



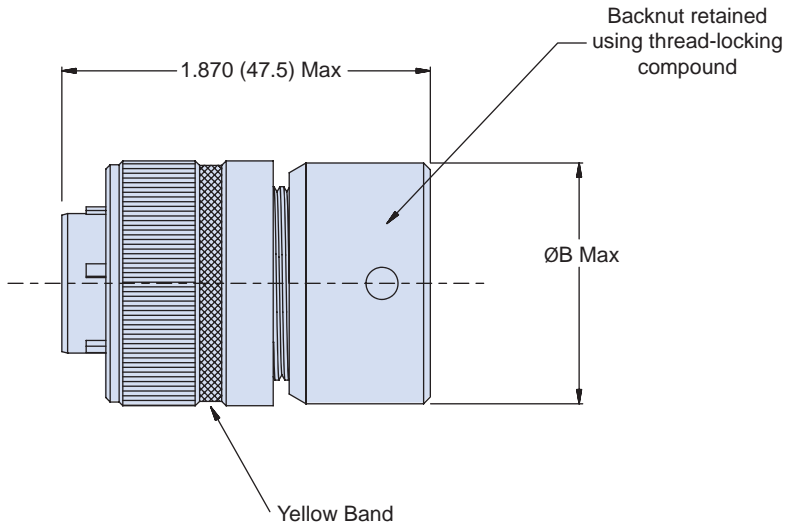
M28876 (/6, /7, /8, /9)
180-040 (-06, -16, -26, -36)
MIL-PRF-28876 Plug Connector
 for use with MIL-PRF-29504/14 and /15 Termini



Plug Connector



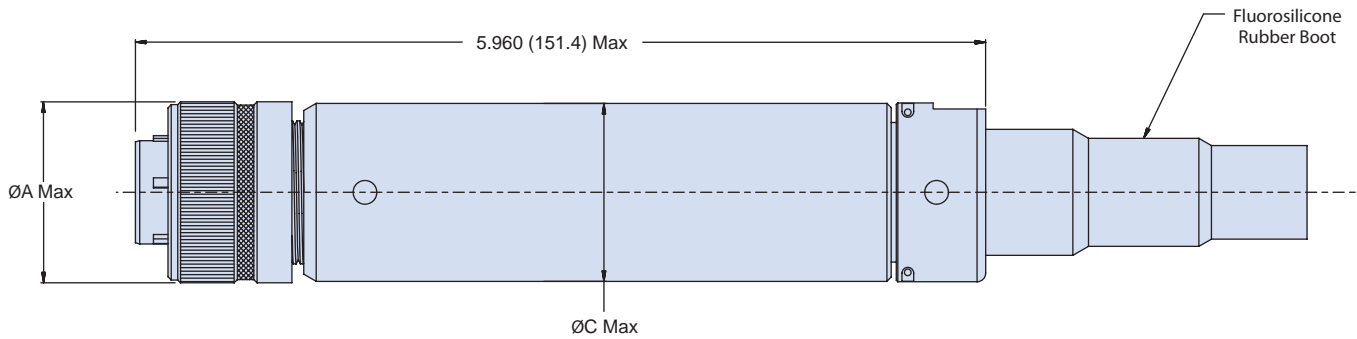
Plug without backshell



M28876/6 • 180-040-06
PLUG WITHOUT BACKSHELL



Plug with backshell



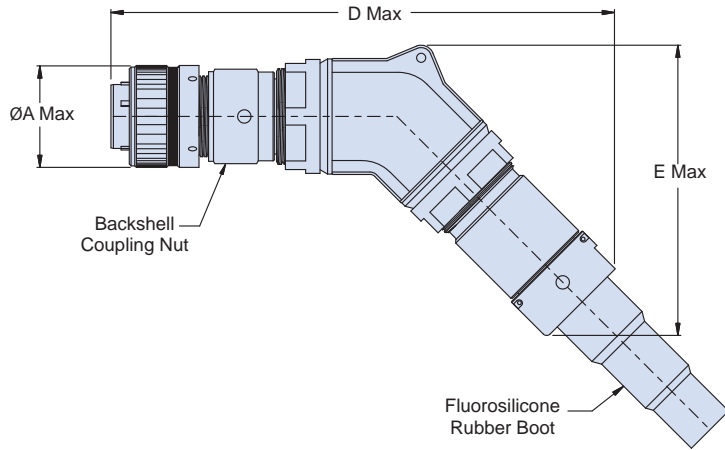
M28876/7 • 180-040-16 PLUG WITH STRAIGHT BACKSHELL

Dimensions in Inches (millimeters) are subject to change without notice.

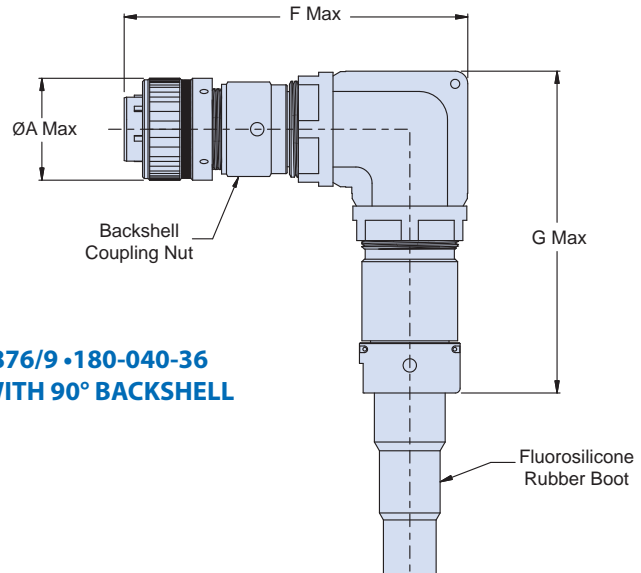
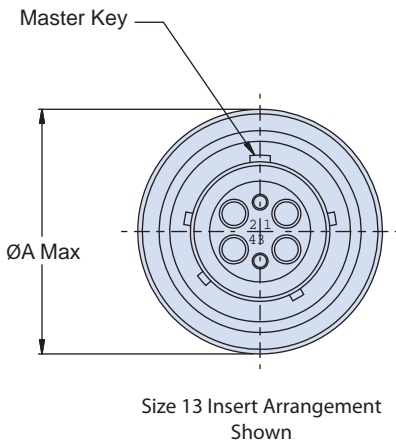
M28876 (16, 17, 18, 19)
180-040 (-06, -16, -26, -36)
MIL-PRF-28876 Plug Connector
 for use with MIL-PRF-29504/14 and /15 Termini



Table I: Dimensions							
Shell Size	ØA Max	ØB Max	ØC Max	D Max	E Max	F Max	G Max.
11	1.028 (26.1)	0.960 (24.4)	0.960 (24.4)	6.090 (154.7)	3.540 (89.9)	4.190 (106.4)	4.250 (108.0)
13	1.141 (29.0)	1.085 (27.6)	1.085 (27.6)	6.160 (156.5)	3.580 (90.9)	4.190 (106.4)	4.250 (108.0)
15	1.263 (32.1)	1.255 (31.9)	1.255 (31.9)	6.440 (163.6)	3.850 (97.8)	4.440 (112.8)	4.500 (114.3)
23	1.705 (43.3)	1.695 (43.1)	1.763 (44.8)	7.350 (186.7)	5.000 (127.0)	4.850 (123.2)	5.000 (127.0)



M28876/8 • 180-040-26
PLUG WITH 45° BACKSHELL



M28876/9 • 180-040-36
PLUG WITH 90° BACKSHELL

Dimensions in Inches (millimeters) are subject to change without notice.

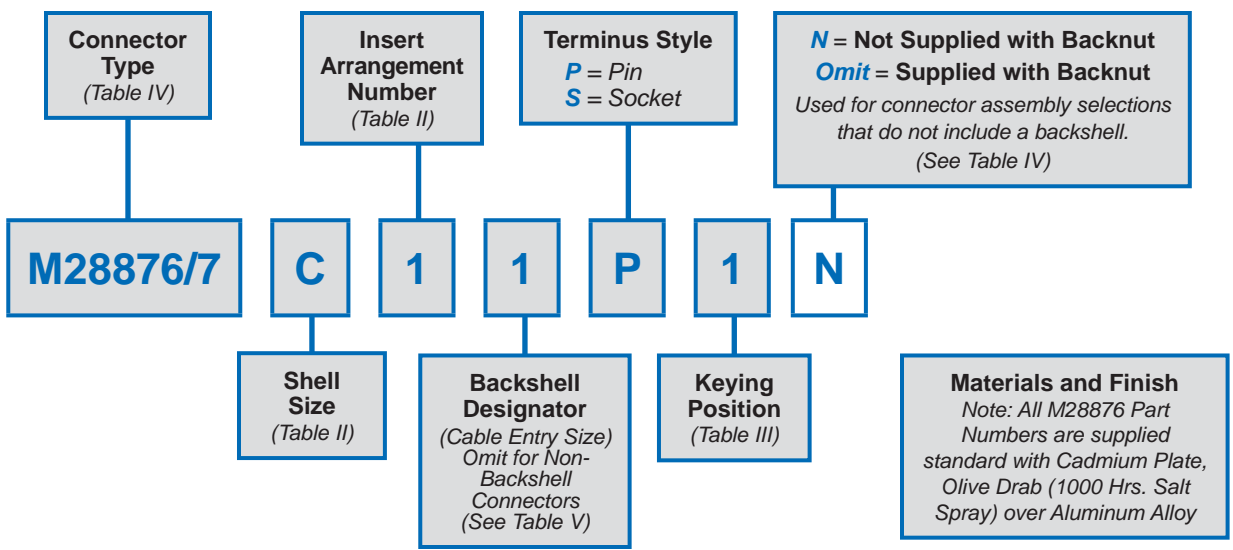


MIL-PRF-28876 QPL Fiber Optic Connectors
M28876/1 through /14
180-040
How to Order

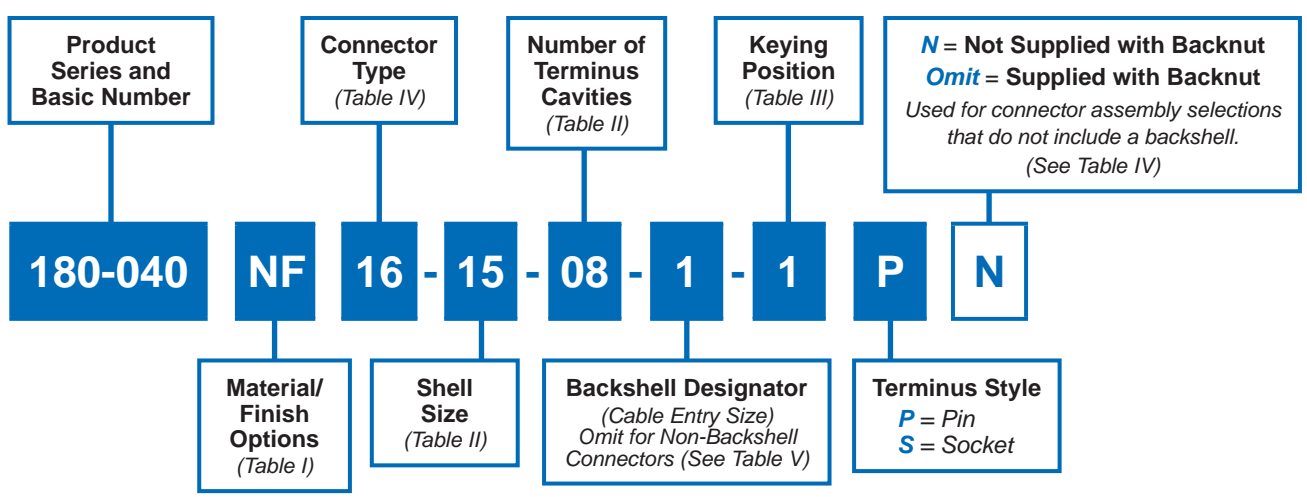


Fiber Optic Connectors

How To Order: Military QPL



How To Order: Glenair Commercial



Dimensions in Inches (millimeters) are subject to change without notice.

MIL-PRF-28876 QPL Fiber Optic Connectors
M28876/1 through /14
180-040
How to Order



Table I: Commercial Shell Finish Options

Sym	Material	Finish
NF	Aluminum Alloy	Cadmium Plate, Olive Drab (1000 Hrs. Salt Spray)
MT*	Aluminum Alloy	Nickel-PTFE Gray (1000 Hrs. Salt Spray)

*MT plating available only with Glenair commercial equivalent part numbers

Table II: Shell Size and Insert Arrangement

Mil-Spec		Commercial	
Shell Size	Insert Arrangement	Shell Size	Number of Cavities
A	1	11	02
B	1	13	04
C	2	15	06
	1		08
F	2	23	18
	1		31

Table III: Keying Position

Shell Size	Keying Position	A°	B°	C°	D°
11 and 13	0*	-	-	-	-
	1	95	141	208	236
	2	113	156	182	292
	3	90	145	195	252
	4	53	156	220	255
	5	119	146	176	298
	6	51	141	184	242
15 and 23	0*	-	-	-	-
	1	80	142	196	293
	2	135	170	200	310
	3	49	169	200	244
	4	66	140	200	257
	5	62	145	180	280
	6	79	153	197	272

*0 indicates universal keying arrangement and is available on commercial equivalent plug connector only.

Table IV: Connector Type

Connector Type	Backshell Type	MIL-Spec	Commercial
Wall Mount Receptacle	None	M28876/1	03
	Straight	M28876/2	13
	45°	M28876/3	23
	90°	M28876/4	33
In-Line Receptacle	Straight	M28876/5	15
Plug	None	M28876/6	06
	Straight	M28876/7	16
	45°	M28876/8	26
	90°	M28876/9	36
Jam Nut Receptacle	None	M28876/11	04
	Straight	M28876/12	14
	45°	M28876/13	24
	90°	M28876/14	34

Material and Finish

A. M28876 part numbers supplied standard with Cad plate/olive drab over aluminum alloy. See Table I for commercial plating options.

B. Hardware: Aluminum alloy/chem film, stainless steel/passivate

C. Insert: Aluminum alloy/anodize

D. Seals: Fluorosilicone

Specifications

Backnut retained using thread-locking compound.

Operating Temperature Range: -55° to +125°C.

Tools, Accessories and Assembly Notes

Termini (Not Supplied with Connector):
 M29504/14 - Pin terminus, MIL-Spec
 M29504/15 - Socket Terminus, MIL-Spec
 M29504/3 - Dummy Terminus, MIL-Spec
 181-039 - Pin Terminus, MIL-Spec Style
 181-040 - Socket terminus, MIL-Spec Style
 181-051 - Dummy Terminus MIL-Spec Style

Consult factory for appropriate termination and assembly tools/procedures.

Table V: BACKSHELL DESIGNATOR

Backshell Designator	Max Allowable Cable Diameter by Shell Size			
	A (11)	B (13)	C (15)	F (23)
1	.250 (6.4)	.285 (7.2)	.500 (12.7)	.866 (22.0)
2	.346 (8.8)	.346 (8.8)	.250 (6.4)	1.000 (25.4)
3		.453 (11.5)	.375 (9.5)	.600 (15.2)

Dimensions in Inches (millimeters) are subject to change without notice.

X-ON Electronics

Largest Supplier of Electrical and Electronic Components

Click to view similar products for [Fibre Optic Connectors](#) category:

Click to view products by [Glenair](#) manufacturer:

Other Similar products are found below :

[0004700001](#) [6100-R](#) [6313](#) [F709722200](#) [F709730000](#) [F718183204](#) [F727403500](#) [F727752800](#) [8119](#) [9440F20-27S-190](#) [944-120-6001](#)
[9441F10SL-3S](#) [9444W28-21S](#) [9444W36-10S](#) [9446W20-16S](#) [953-101-5310-P](#) [954-101-57202B](#) [A0270169](#) [12-9122](#) [12-5702](#) [AX101713](#)
[AX102420](#) [AX103923](#) [AX104024](#) [AX104193](#) [AX104230](#) [AX104562](#) [AX105203-B25](#) [AX105205-S1](#) [EHSC2M](#) [17-300800](#) [181-011-126](#)
[181-011-S](#) [181-057-126](#) [NKSOPBUY](#) [20500002116](#) [2064996-1](#) [20800001065](#) [2170](#) [9132](#) [2612](#) [2620](#) [9291](#) [9440F16-10S](#) [9440F20-18S](#)
[9444W32-73S](#) [9446F16-10S-190](#) [953-106-50231](#) [953-120-5003](#) [955-120-5110](#)