

180-060-06 Plug MIL-DTL-38999 Type Fiber Optic Connector For use with MIL-T-29504/4 & /5 Termini



MIL-DTL-38999

HOW TO ORDER:

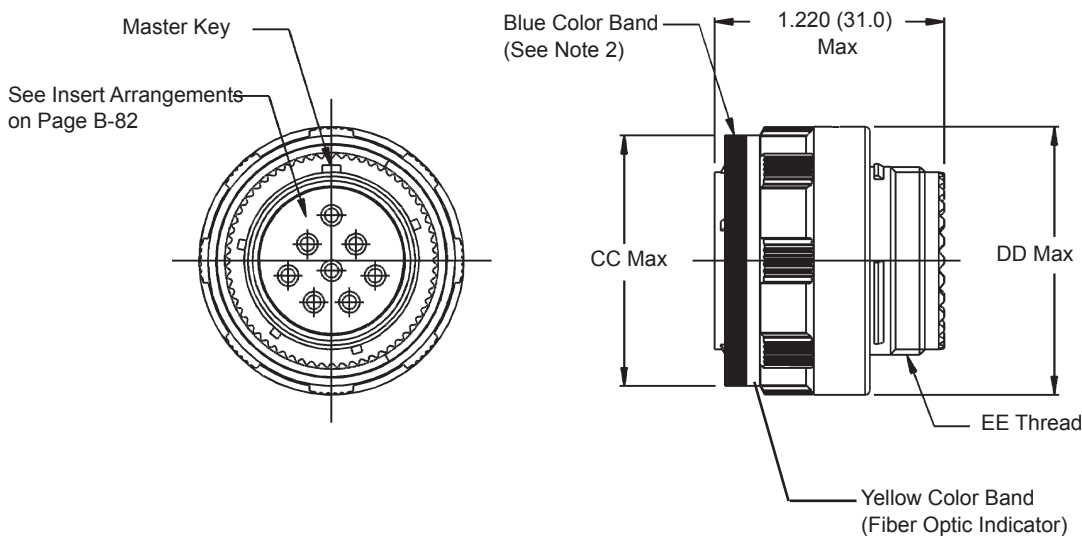
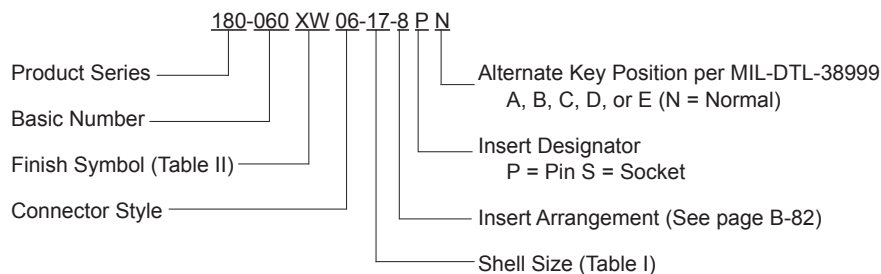


TABLE I: SHELL SIZE

Shell Size Code	Shell Size	CC Max	DD Max	EE Thread
B	11	.929 (24.1)	.984 (25.0)	M15 x 1.0-6g 0.100R
C	13	1.110 (28.2)	1.157 (29.4)	M18 x 1.0-6g 0.100R
D	15	1.232 (31.3)	1.280 (32.5)	M22 x 1.0-6g 0.100R
E	17	1.358 (34.5)	1.406 (35.7)	M25 x 1.0-6g 0.100R
F	19	1.469 (37.3)	1.516 (38.5)	M28 x 1.0-6g 0.100R
G	21	1.594 (40.5)	1.642 (41.7)	M31 x 1.0-6g 0.100R
H	23	1.720 (43.7)	1.768 (44.9)	M34 x 1.0-6g 0.100R
J	25	1.843 (46.8)	1.890 (48.0)	M37 x 1.0-6g 0.100R

TABLE II: FINISH

Symbol	Finish Description
XM	Electroless Nickel
XW	Cadmium Olive Drab over Electroless Nickel
XZN	Zinc-Nickel over Electroless Nickel

NOTES:

1. Metric dimensions (mm) are in parentheses and are for reference only.
2. Blue Color band indicates rear release retention system.

180-060-08 Jam Nut Mounted Receptacle MIL-DTL-38999 Type Fiber Optic Connector For use with MIL-T-29504/4 & /5 Termini

TO ORDER:

180-060 XW 08-17-8 S N
 Product Series _____
 Basic Number _____
 Finish Symbol _____
 (See Table II, Page B-82)
 Connector Style _____

Alternate Key Position per MIL-DTL-38999
 A, B, C, D, or E (N = Normal)
 Insert Designator
 P = Pin S = Socket
 Insert Arrangement (See page B-82)
 Shell Size (Table I)

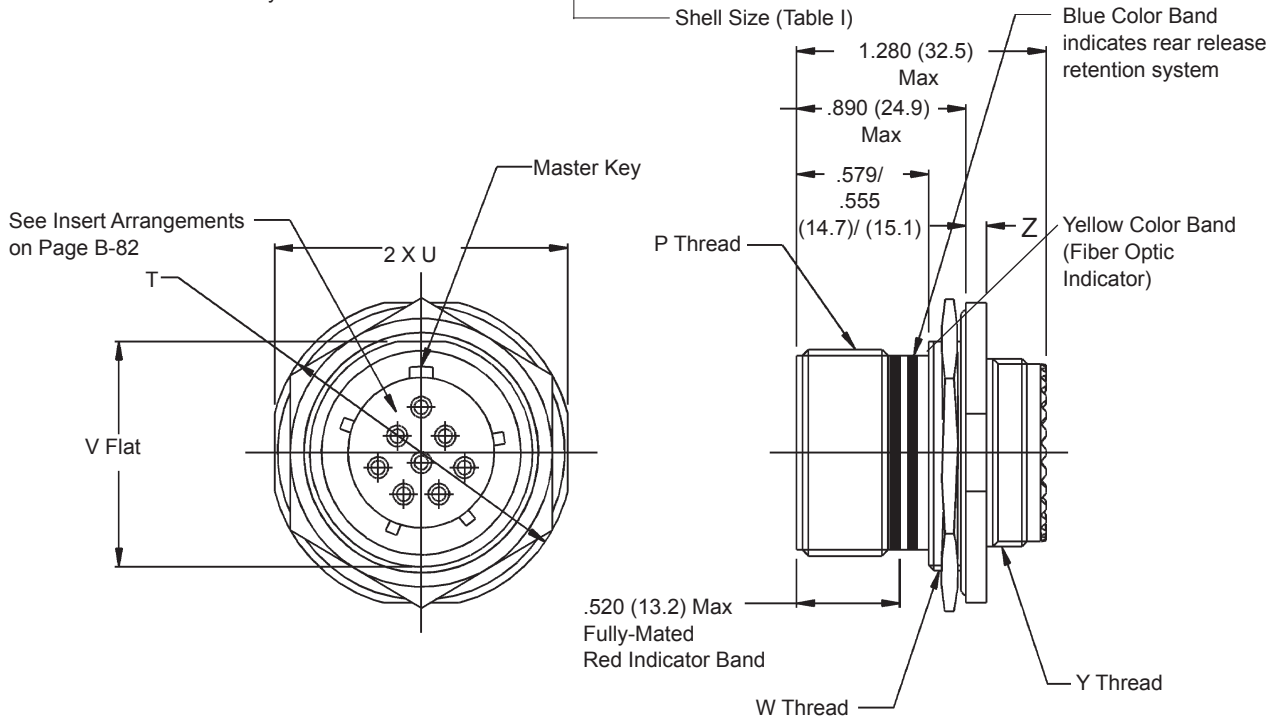


TABLE I: SHELL SIZE

Shell Code	Shell Size	P Thread	T	U	V	W Thread	Y Thread	Z
B	11	.7500-.1P-.3L-TS-2A	1.386 (35.2)	1.268 (32.2)	.755 (19.2)	M20 x 1.0-6g 0.100R	M15 x 1.0-6g 0.100R	.114 (2.9)
			1.362 (34.6)	1.236 (31.4)	.745 (18.9)			.083 (2.1)
C	13	.8750-.1P-.3L-TS-2A	1.512 (38.4)	1.390 (35.3)	.942 (23.9)	M25 x 1.0-6g 0.100R	M18 x 1.0-6g 0.100R	.114 (2.9)
			1.488 (37.8)	1.358 (34.5)	.932 (23.7)			.083 (2.1)
D	15	1.0000-.1P-.3L-TS-2A	1.638 (41.6)	1.516 (38.5)	1.066 (27.1)	M28 x 1.0-6g 0.100R	M22 x 1.0-6g 0.100R	.114 (2.9)
			1.614 (41.0)	1.484 (37.7)	1.056 (26.8)			.083 (2.1)
E	17	1.1875-.1P-.3L-TS-2A	1.764 (44.8)	1.642 (41.7)	1.191 (30.3)	M32 x 1.0-6g 0.100R	M25 x 1.0-6g 0.100R	.114 (2.9)
			1.740 (44.2)	1.610 (40.9)	1.181 (30.0)			.083 (2.1)
F	19	1.2500-.1P-.3L-TS-2A	1.949 (49.5)	1.827 (46.4)	1.316 (33.4)	M35 x 1.0-6g 0.100R	M28 x 1.0-6g 0.100R	.145 (3.7)
			1.925 (48.9)	1.795 (45.6)	1.306 (33.2)			.114 (2.9)
G	21	1.3750-.1P-.3L-TS-2A	2.075 (52.7)	1.953 (75.0)	1.441 (36.6)	M38 x 1.0-6g 0.100R	M31 x 1.0-6g 0.100R	.145 (3.7)
			2.051 (52.1)	1.921 (74.2)	1.431 (36.3)			.114 (2.9)
H	23	1.5000-.1P-.3L-TS-2A	2.201 (55.9)	2.079 (52.8)	1.566 (39.7)	M41 x 1.0-6g 0.100R	M34 x 1.0-6g 0.100R	.145 (3.7)
			1.177 (29.7)	2.047 (52.0)	1.566 (39.8)			.114 (2.9)
J	25	1.6250-.1P-.3L-TS-2A	2.323 (59.0)	2.205 (56.0)	1.691 (42.9)	M44 x 1.0-6g 0.100R	M37 x 1.0-6g 0.100R	.145 (3.7)
			2.299 (58.4)	2.173 (54.3)	1.681 (42.7)			.114 (2.9)

NOTES:

1. Metric dimensions (mm) are in parentheses and are for reference only.
2. See Page B-82 for Panel Cut-out Dimensions

180-060-S7 Wall-Mounted Receptacle, Slotted Holes MIL-DTL-38999 Type Fiber Optic Connector For use with MIL-T-29504/4 & /5 Termini



MIL-DTL-38999

HOW TO ORDER:

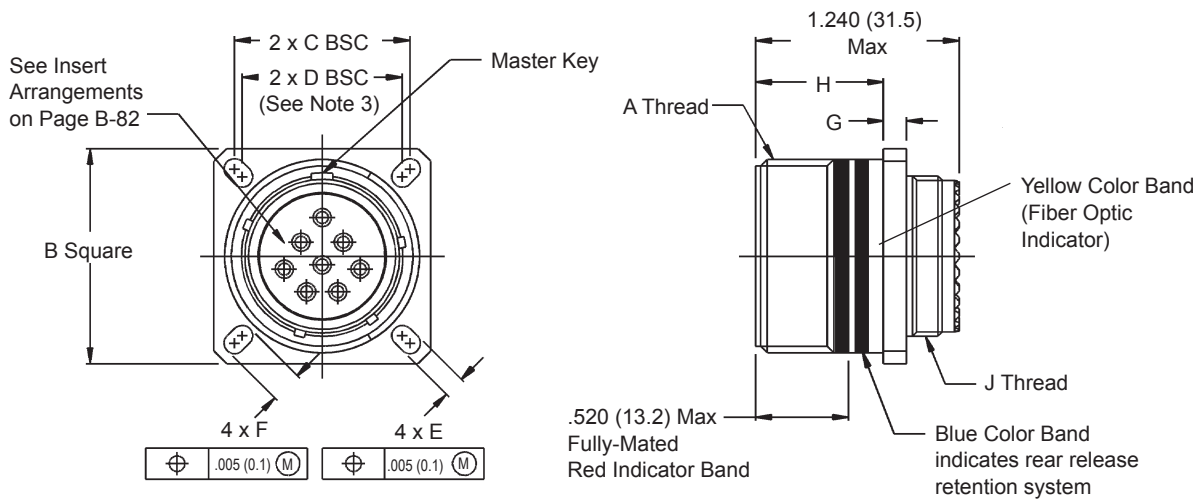
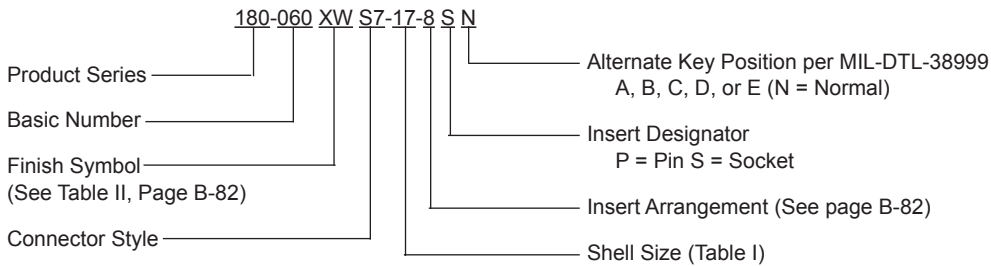


TABLE I: SHELL SIZE

Shell Size Code	Shell Size	A Thread	B SQ	C BSC	D BSC	E	F	G	H	J Thread	K	L
B	11	.7500-.1P-.3L-TS-2A	1.043 (26.5) 1.019 (25.9)	.812 (20.6)	.719 (18.3)	.136 (3.5) .120 (3.0)	.202 (5.1) .186 (4.7)	.144 (3.7) .083 (2.1)	.823 (20.9) .768 (19.5)	M15 x 1.0-6g 0.100R	.136 (3.5) .120 (3.0)	.112-40 UNC-2B
C	13	.8750-.1P-.3L-TS-2A	1.138 (28.9) 1.114 (28.3)	.906 (23.0)	.812 (20.6)	.136 (3.5) .120 (3.0)	.202 (5.1) .186 (4.7)	.144 (3.7) .083 (2.1)	.823 (20.9) .768 (19.5)	M18 x 1.0-6g 0.100R	.136 (3.5) .120 (3.0)	.112-40 UNC-2B
D	15	1.0000-.1P-.3L-TS-2A	1.232 (31.3) 1.208 (30.7)	.969 (24.6)	.906 (23.0)	.136 (3.5) .120 (3.0)	.202 (5.1) .186 (4.7)	.144 (3.7) .083 (2.1)	.823 (20.9) .768 (19.5)	M22 x 1.0-6g 0.100R	.136 (3.5) .120 (3.0)	.112-40 UNC-2B
E	17	1.1875-.1P-.3L-TS-2A	1.323 (33.6) 1.299 (33.0)	1.062 (27.0)	.969 (24.6)	.136 (3.5) .120 (3.0)	.202 (5.1) .186 (4.7)	.144 (3.7) .083 (2.1)	.823 (20.9) .768 (19.5)	M25 x 1.0-6g 0.100R	.136 (3.5) .120 (3.0)	.112-40 UNC-2B
F	19	1.2500-.1P-.3L-TS-2A	1.449 (36.8) 1.425 (36.2)	1.156 (29.4)	1.062 (27.0)	.136 (3.5) .120 (3.0)	.202 (5.1) .186 (4.7)	.144 (3.7) .083 (2.1)	.823 (20.9) .768 (19.5)	M28 x 1.0-6g 0.100R	.136 (3.5) .120 (3.0)	.112-40 UNC-2B
G	21	1.3750-.1P-.3L-TS-2A	1.575 (40.0) 1.551 (39.4)	1.250 (31.8)	1.156 (29.4)	.136 (3.5) .120 (3.0)	.202 (5.1) .186 (4.7)	.171 (65.2) .083 (39.8)	.791 (20.0) .736 (18.7)	M31 x 1.0-6g 0.100R	.136 (3.5) .120 (3.0)	.112-40 UNC-2B
H	23	1.5000-.1P-.3L-TS-2A	1.701 (43.2) 1.677 (42.6)	1.375 (34.9)	1.250 (31.8)	.162 (4.1) .146 (3.7)	.250 (6.4) .234 (5.9)	.171 (65.2) .083 (39.8)	.791 (20.0) .736 (18.7)	M34 x 1.0-6g 0.100R	.162 (4.1) .146 (3.7)	.138-32 UNC-2B
J	25	1.6250-.1P-.3L-TS-2A	1.823 (46.3) 1.799 (45.7)	1.500 (38.1)	1.375 (34.9)	.162 (4.1) .146 (3.7)	.250 (6.4) .234 (5.9)	.171 (68.4) .083 (68.1)	.791 (20.0) .736 (18.7)	M37 x 1.0-6g 0.100R	.162 (4.1) .146 (3.7)	.138-32 UNC-2B

NOTES:

1. Metric dimensions (mm) are in parentheses and are for reference only.
2. See Page B-82 for Panel Cut-Out Dimensions
3. Front Panel Mount Only

180-060-H7 Wall-Mounted Receptacle, Standard Holes

MIL-DTL-38999 Type Fiber Optic Connector

For use with MIL-T-29504/4 & /5 Termini

HOW TO ORDER:

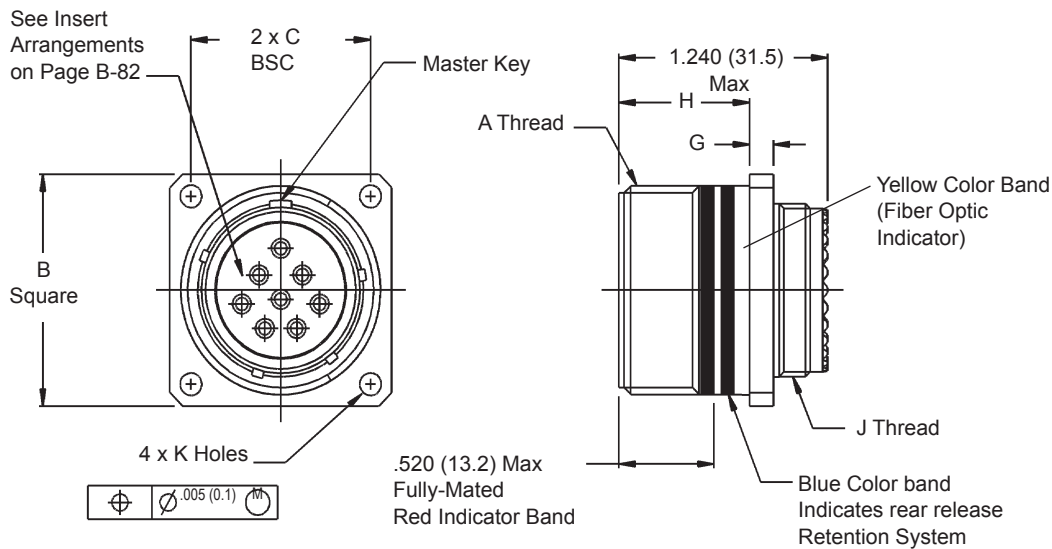
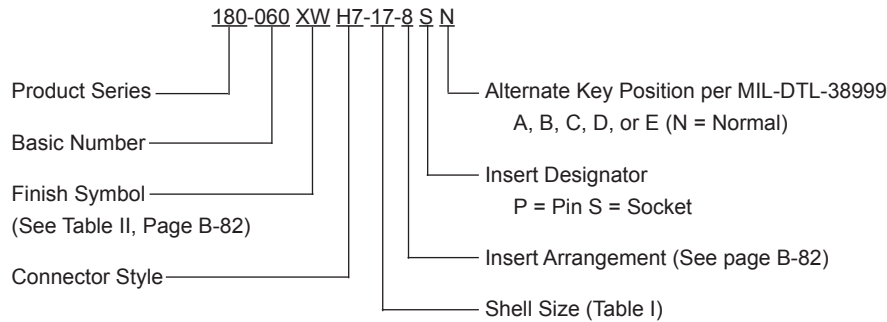


TABLE I: SHELL SIZE

Shell Size Code	Shell Size	A Thread	B SQ	C BSC	D BSC	E	F	G	H	J Thread	K
B	11	.7500-.1P-.3L-TS-2A	1.043 (26.5) 1.019 (25.9)	.812 (20.6)	.719 (18.3)	.136 (3.5) .120 (3.0)	202 (5.1) .186 (4.7)	.144 (3.7) .083 (2.1)	.823 (20.9) .768 (19.5)	M15 x 1.0-6g 0.100R	.136 (3.5) .120 (3.0)
C	13	.8750-.1P-.3L-TS-2A	1.138 (28.9) 1.114 (28.3)	.906 (23.0)	.812 (20.6)	.136 (3.5) .120 (3.0)	202 (5.1) .186 (4.7)	.144 (3.7) .083 (2.1)	.823 (20.9) .768 (19.5)	M18 x 1.0-6g 0.100R	.136 (3.5) .120 (3.0)
D	15	1.0000-.1P-.3L-TS-2A	1.232 (31.3) 1.208 (30.7)	.969 (24.6)	.906 (23.0)	.136 (3.5) .120 (3.0)	202 (5.1) .186 (4.7)	.144 (3.7) .083 (2.1)	.823 (20.9) .798 (19.5)	M22 x 1.0-6g 0.100R	.136 (3.5) .120 (3.0)
E	17	1.1875-.1P-.3L-TS-2A	1.323 (33.6) 1.299 (33.0)	1.062 (27.0)	.969 (24.6)	.136 (3.5) .120 (3.0)	202 (5.1) .186 (4.7)	.144 (3.7) .083 (2.1)	.823 (20.9) .768 (19.5)	M25 x 1.0-6g 0.100R	.136 (3.5) .120 (3.0)
F	19	1.2500-.1P-.3L-TS-2A	1.449 (36.8) 1.425 (36.2)	1.156 (29.4)	1.062 (27.0)	.136 (3.5) .120 (3.0)	202 (5.1) .186 (4.7)	.144 (3.7) .083 (2.1)	.823 (20.9) .768 (19.5)	M28 x 1.0-6g 0.100R	.136 (3.5) .120 (3.0)
G	21	1.3750-.1P-.3L-TS-2A	1.575 (40.0) 1.551 (39.4)	1.250 (31.8)	1.156 (29.4)	.136 (3.5) .120 (3.0)	202 (5.1) .186 (4.7)	.144 (3.7) .083 (2.1)	.823 (20.9) .768 (19.5)	M31 x 1.0-6g 0.100R	.136 (3.5) .120 (3.0)
H	23	1.5000-.1P-.3L-TS-2A	1.701 (43.2) 1.677 (42.6)	1.375 (34.9)	1.250 (31.8)	.162 (4.1) .146 (3.7)	250 (6.4) 234 (5.9)	.171 (65.2) .083 (39.8)	.791 (20.0) .736 (18.7)	M34 x 1.0-6g 0.100R	.162 (4.1) .146 (3.7)
J	25	1.6250-.1P-.3L-TS-2A	1.823 (46.3) 1.799 (45.7)	1.500 (38.1)	1.375 (34.9)	.162 (4.1) .146 (3.7)	250 (6.4) 234 (5.9)	.171 (68.4) .083 (68.1)	.791 (20.0) .736 (18.7)	M37 x 1.0-6g 0.100R	.162 (4.1) .146 (3.7)

NOTES:

1. Metric dimensions (mm) are in parentheses and are for reference only.
2. See Page B-82 for Panel Cut-Out Dimensions

180-060-T7 Wall-Mounted Receptacle, Tapped Holes MIL-DTL-38999 Style Fiber Optic Connector For use with MIL-T-29504/4 & /5 Termini



MIL-DTL-38999

HOW TO ORDER:

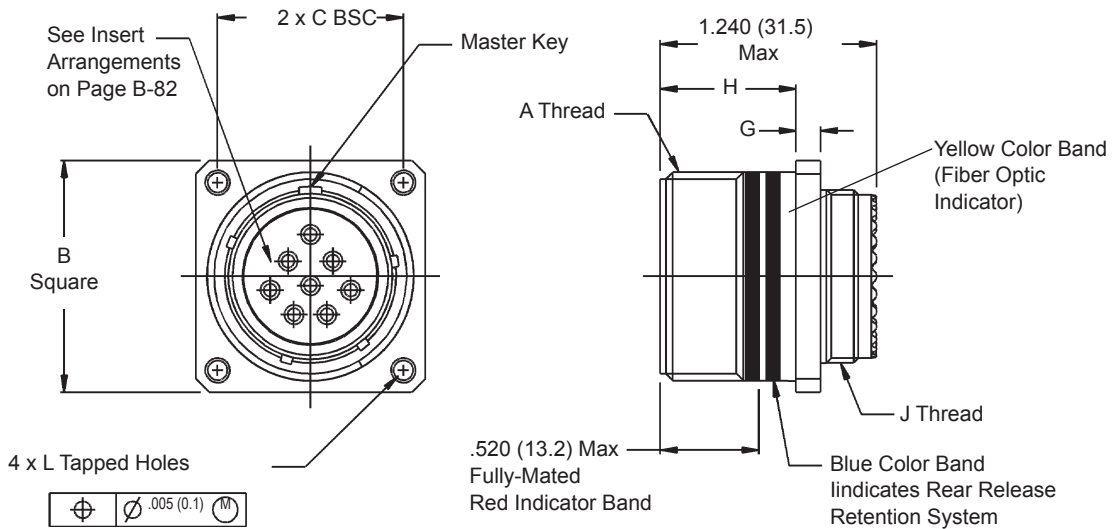
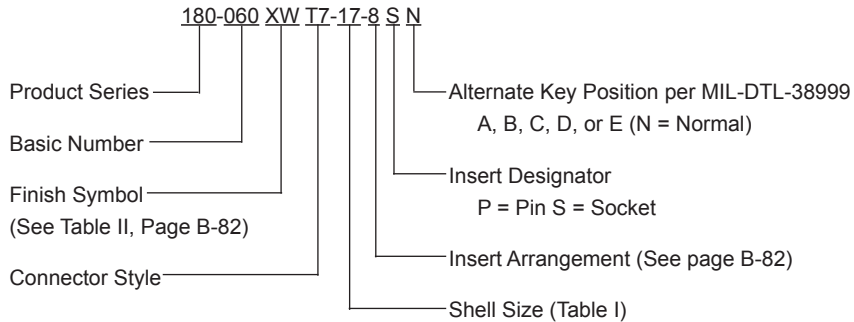


TABLE I: SHELL SIZE

Shell Size Code	Shell Size	A Thread	B SQ	C BSC	D BSC	E	F	G	H	J Thread	L
B	11	.7500-.1P-.3L-TS-2A	1.043 (26.5) 1.019 (25.9)	.812 (20.6)	.719 (18.3)	.136 (3.5) .120 (3.0)	.202 (5.1) .186 (4.7)	.144 (3.7) .083 (2.1)	.823 (20.9) .768 (19.5)	M15 x 1.0-6g 0.100R	.112-40 UNC-2B
C	13	.8750-.1P-.3L-TS-2A	1.138 (28.9) 1.114 (28.3)	.906 (23.0)	.812 (20.6)	.136 (3.5) .120 (3.0)	.202 (5.1) .186 (4.7)	.144 (3.7) .083 (2.1)	.823 (20.9) .768 (19.5)	M18 x 1.0-6g 0.100R	.112-40 UNC-2B
D	15	1.0000-.1P-.3L-TS-2A	1.232 (31.3) 1.208 (30.7)	.969 (24.6)	.906 (23.0)	.136 (3.5) .120 (3.0)	.202 (5.1) .186 (4.7)	.144 (3.7) .083 (2.1)	.823 (20.9) .798 (19.5)	M22 x 1.0-6g 0.100R	.112-40 UNC-2B
E	17	1.1875-.1P-.3L-TS-2A	1.323 (33.6) 1.299 (33.0)	1.062 (27.0)	.969 (24.6)	.136 (3.5) .120 (3.0)	.202 (5.1) .186 (4.7)	.144 (3.7) .083 (2.1)	.823 (20.9) .768 (19.5)	M25 x 1.0-6g 0.100R	.112-40 UNC-2B
F	19	1.2500-.1P-.3L-TS-2A	1.449 (36.8) 1.425 (36.2)	1.156 (29.4)	1.062 (27.0)	.136 (3.5) .120 (3.0)	.202 (5.1) .186 (4.7)	.144 (3.7) .083 (2.1)	.823 (20.9) .768 (19.5)	M28 x 1.0-6g 0.100R	.112-40 UNC-2B
G	21	1.3750-.1P-.3L-TS-2A	1.575 (40.0) 1.551 (39.4)	1.250 (31.8)	1.156 (29.4)	.136 (3.5) .120 (3.0)	.202 (5.1) .186 (4.7)	.144 (3.7) .083 (2.1)	.823 (20.9) .768 (19.5)	M31 x 1.0-6g 0.100R	.112-40 UNC-2B
H	23	1.5000-.1P-.3L-TS-2A	1.701 (43.2) 1.677 (42.6)	1.375 (34.9)	1.250 (31.8)	.162 (4.1) .146 (3.7)	.250 (6.4) .234 (5.9)	.171 (65.2) .083 (39.8)	.791 (20.0) .736 (18.7)	M34 x 1.0-6g 0.100R	.138-32 UNC-2B
J	25	1.6250-.1P-.3L-TS-2A	1.823 (46.3) 1.799 (45.7)	1.500 (38.1)	1.375 (34.9)	.162 (4.1) .146 (3.7)	.250 (6.4) .234 (5.9)	.171 (68.4) .083 (68.1)	.791 (20.0) .736 (18.7)	M37 x 1.0-6g 0.100R	.138-32 UNC-2B

NOTES:

1. Metric dimensions (mm) are in parentheses and are for reference only.
2. See Page B-82 for Panel Cut-Out Dimensions

TERMINI SPECIFICATIONS	
Operating Temperature Range	-65°C to +200°C
Thermal Cycling	-65°C to +150°C
Thermal Shock	-65°C to +150°C, 5 Cycles
Temperature Life	+150°C for 1,000 hours
Random Vibration	20- 2,000Hz, 42.2 g's
Shock (Half Sine)	Pulse 40g Peak Load
Mechanical Shock	MIL-S-901D, Grade A, Type A, Class I Lightweight
Mating Durability	500 Cycles, Cleaning after 100 Matings
Salt Spray	48 Hours (Terminus only)
Cable Retention Force	25 Lbs. Depending on Cable Construction

Signal discontinuities measured at 4 microseconds maximum with 0.5dB maximum change in optical transmittance during and after these tests. Test reports and MIL-T-29504 qualification documentation available upon request.

X-ON Electronics

Largest Supplier of Electrical and Electronic Components

Click to view similar products for [Circular MIL Spec Connector](#) category:

Click to view products by [Glenair](#) manufacturer:

Other Similar products are found below :

[0025-262-542](#) [0025-264-3014](#) [58-570121-04S](#) [0134-202-1200](#) [0134-207-1206](#) [0134-207-1800](#) [0134-207-2207](#) [0134-213-0806](#) [0134-213-1007](#) [0134-213-1009](#) [0134-213-1208](#) [0134-213-1800](#) [0134-213-2209](#) [0025-258-000](#) [015-9516-002](#) [60-042722-19P](#) [0114-201-1278](#) [602GB06EG24-61SN](#) [0134-201-1207](#) [0134-201-1806](#) [0134-201-2006](#) [0134-201-2007](#) [0134-201-2010](#) [0134-202-1400](#) [0134-207-0809](#) [0134-207-1208](#) [0134-207-2009](#) [0134-213-1006](#) [6104-207-2302](#) [6104-208-1902](#) [6131-202-19149P](#) [6131-204-21149P](#) [6131-207-13149P](#) [6131-208-13149P](#) [6131-209-17149P](#) [6131-210-11149P](#) [6131-211-19149P](#) [6131-216-19149P](#) [6131-220-25149P](#) [6131-259-11149P](#) [6131-259-21149P](#) [6131-259-23149P](#) [6131-263-19149P](#) [6131-265-17149P](#) [6131-265-19149P](#) [CS3102A-20-15P](#) [CS3102A-20-15S](#) [CS3102C18-4P-472](#) [CS3106A-20-29P](#) [CS3106A-20-74P](#)