



# 180-091 (06) Plug Advanced Fiber Optic Connector MIL-DTL-38999 Series III Type

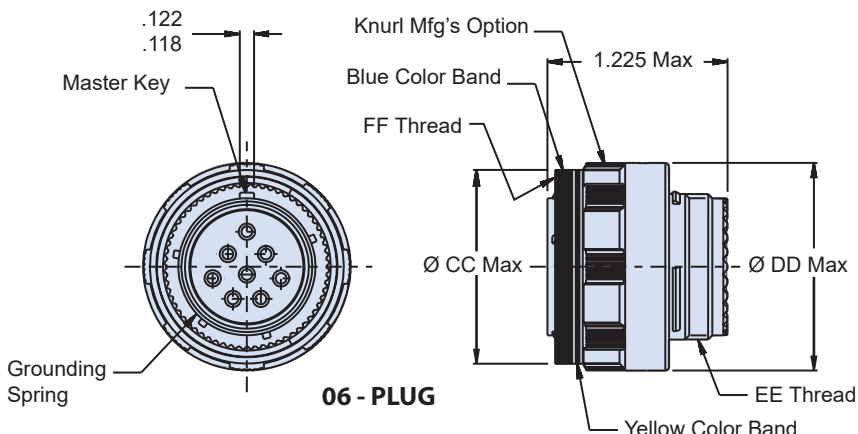
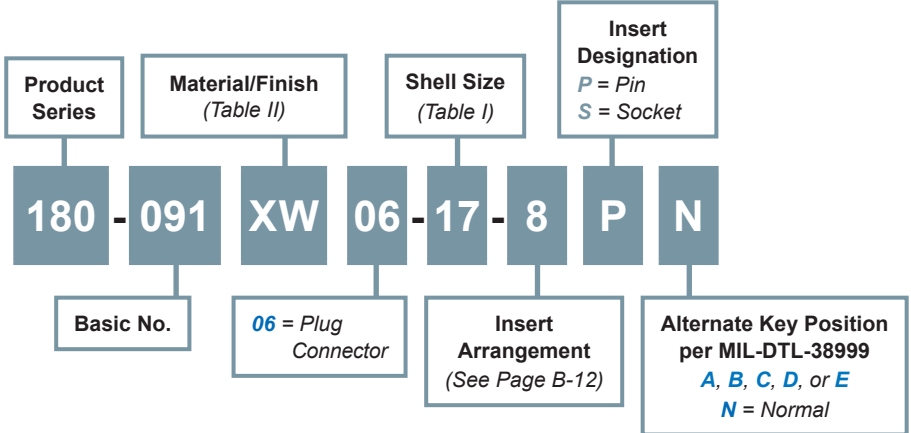
**D38999**  
Series III

**B**

## MIL-DTL-38999 type advanced fiber optic plug connector



### How To Order



### Material and Finish

- Barrel, Coupling Nut: See Table II
- Coupling Nut (for Composite): High Grade Engineering Thermoplastic/Unplated
- Insulator: High Grade Rigid Dielectric
- Seals: Fluorosilicone
- Ground Spring: Copper Alloy/Nickel

### Notes

Insert arrangement in accordance with MIL-STD-1560, See Page B-12.  
 Blue Color Band indicates rear release retention system.  
 For appropriate Glenair Terminus part numbers see Glenair Drawing 181-001 and 181-002.

180-091 (06) Plug  
Advanced Fiber Optic Connector  
MIL-DTL-38999 Series III Type



MIL-DTL-38999  
Series III Type

B

Table I					
Shell Size Code	Shell Size	FF Thread	Ø CC Max	Ø DD Max	EE Thread
B	11	.7500-.1P-.3L-TS-2B	.929 (23.6)	.984 (25.0)	M15 x 1.0-6g 0.100R
C	13	.8750-.1P-.3L-TS-2B	1.110 (28.2)	1.157 (29.4)	M18 x 1.0-6g 0.100R
D	15	1.0000-.1P-.3L-TS-2B	1.232 (31.3)	1.280 (32.5)	M22 x 1.0-6g 0.100R
E	17	1.1875-.1P-.3L-TS-2B	1.358 (34.5)	1.406 (35.7)	M25 x 1.0-6g 0.100R
F	19	1.2500-.1P-.3L-TS-2B	1.469 (37.3)	1.516 (38.5)	M28 x 1.0-6g 0.100R
G	21	1.3750-.1P-.3L-TS-2B	1.594 (40.5)	1.642 (41.7)	M31 x 1.0-6g 0.100R
H	23	1.5000-.1P-.3L-TS-2B	1.720 (43.7)	1.768 (44.9)	M34 x 1.0-6g 0.100R
J	25	1.6250-.1P-.3L-TS-2B	1.843 (46.8)	1.890 (48.0)	M37 x 1.0-6g 0.100R

Code	Material	Finish Description
M	Aluminum Alloy	Electroless Nickel
MT		Nickel - PTFE, Grey
NF		Cadmium, Olive Drab
ZN		Zinc-Nickel, Olive Drab
ZNU		Zinc-Nickel, Black
ZR		Zinc-Nickel, Black (RoHS)
XM		Composite
XMT	Nickel - PTFE, Grey	
XW	Cadmium, Olive Drab	
XZN	Zinc-Nickel, Black	
MS	Stainless Steel	Electroless Nickel
ZL		Electro-Deposited Nickel
Z1		Passivate
AB	Marine Bronze	None (Clean Only)

Refer to Appendix for material/finish details

## X-ON Electronics

Largest Supplier of Electrical and Electronic Components

*Click to view similar products for [Circular MIL Spec Connector](#) category:*

*Click to view products by [Glenair](#) manufacturer:*

Other Similar products are found below :

[89075GULPR](#) [0025-262-542](#) [0025-264-3014](#) [58-570121-04S](#) [0134-213-1208](#) [0134-213-2209](#) [0025-258-000](#) [60-042022-07P](#) [60-042022-19P](#)  
[60-042022-23P](#) [60-042217-10P](#) [0114-201-1278](#) [012-0467-000](#) [602GB06EG24-61SN](#) [0134-201-1207](#) [0134-213-1006](#) [6104-207-2302](#) [6104-](#)  
[208-1902](#) [61-168211-04P](#) [61-168617-10P](#) [6131-202-19149P](#) [6131-204-21149P](#) [6131-208-13149P](#) [6131-209-17149P](#) [6131-210-11149P](#) [6131-](#)  
[211-19149P](#) [6131-216-19149P](#) [6131-259-21149P](#) [6131-259-23149P](#) [6131-265-17149P](#) [6131-265-19149P](#) [CS3100A18-1P-472](#) [CS3100A-36-](#)  
[77P](#) [CS3101A-16-55P](#) [CS3102A-10SL-55P](#) [CS3102A-14S-58P](#) [CS3102A-32-17P](#) [CS3102A32-25S](#) [CS3102C18-4P-472](#)  
[CS3106A10SL3S004](#) [CS3106A-18-73S](#) [CS3108A-14S-52S](#) [CS3108A-28-51S](#) [6162-233-1277](#) [6162-324-1231](#) [M243082296Z](#)  
[M2884010AC1S1](#) [CT0-24-10SC](#) [CT0M20-7PCAU](#) [M28840/17AC1G3](#)