



180-122 (06)
GHD • Glenair High Density
Fiber Optic Connection System
D38999 Style Plug Connector with Alignment Sleeve Retainer (ASR)



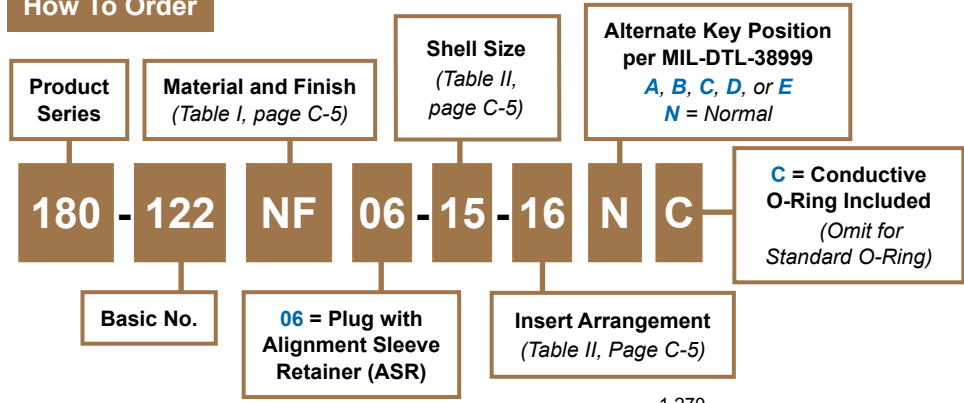
GHD Plug connector with removable alignment sleeve retainer (ASR)

C

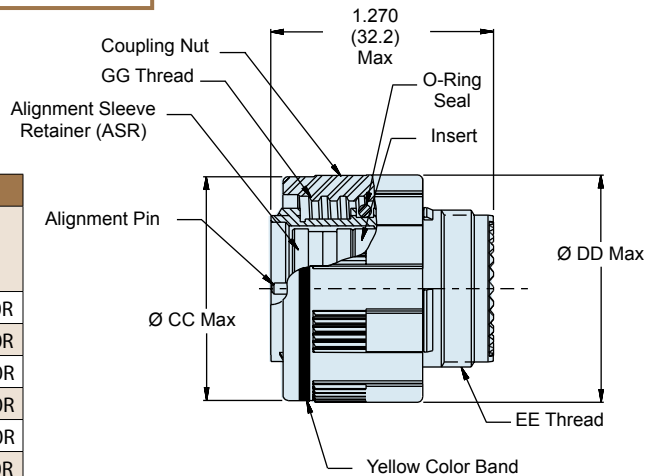


D38999 Style Plug Connector

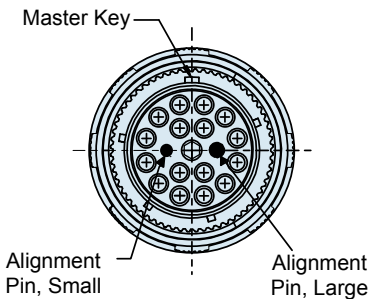
How To Order



Shell Size Code	Shell Size	GG Thread	Ø CC Max	Ø DD Max	EE Thread
B	11	.7500-.1P-.3L-TS-2B	.929 (23.6)	.984 (25.0)	M15 X 1.0-6g 0.100R
C	13	.8750-.1P-.3L-TS-2B	1.110 (28.2)	1.157 (29.4)	M18 X 1.0-6g 0.100R
D	15	1.0000-.1P-.3L-TS-2B	1.232 (31.3)	1.280 (32.5)	M22 X 1.0-6g 0.100R
E	17	1.1875-.1P-.3L-TS-2B	1.358 (34.5)	1.406 (35.7)	M25 X 1.0-6g 0.100R
F	19	1.2500-.1P-.3L-TS-2B	1.469 (37.3)	1.516 (38.5)	M28 X 1.0-6g 0.100R
G	21	1.3750-.1P-.3L-TS-2B	1.594 (40.5)	1.642 (41.7)	M31 X 1.0-6g 0.100R
H	23	1.5000-.1P-.3L-TS-2B	1.720 (43.8)	1.768 (44.9)	M34 X 1.0-6g 0.100R
J	25	1.6250-.1P-.3L-TS-2B	1.843 (46.8)	1.890 (48.0)	M37 X 1.0-6g 0.100R



06 - PLUG WITH ASR



Material and Finish

Barrel, Coupling Nut: See Table I, page C-5.
 Coupling Nut (for composite): High grade engineering thermoplastic/unplated.
 Insert: High grade rigid dielectric, or Al Alloy/Anodize - MFR's option.
 Alignment Sleeve Retainer: Al Alloy/anodize.
 Seal: Fluorosilicone.

Notes

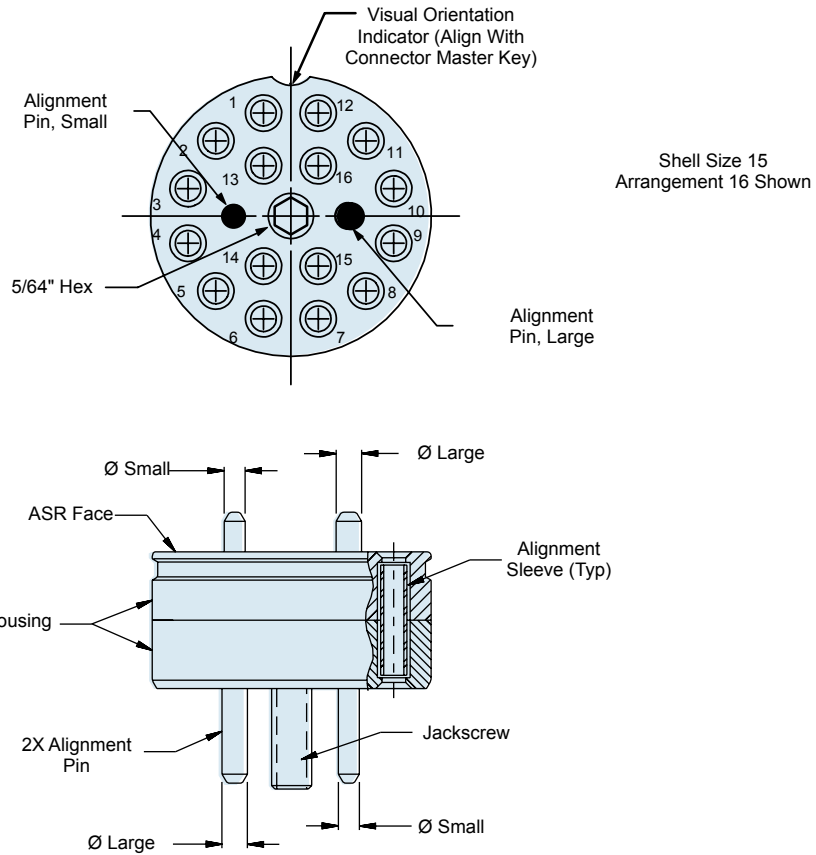
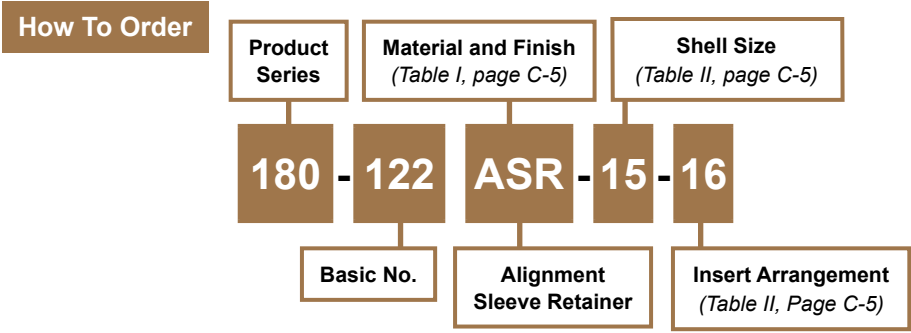
Consult factory for optional RFI spring.
 Alignment Sleeve Retainer is supplied with plug connector, and maybe ordered separately.
 See Glenair drawing 180-122ASR.



GHD alignment sleeve retainer (ASR)



Alignment Sleeve Retainer (ASR)



Material and Finish

Housing: Al Alloy/Anodize
 Alignment Pin and Jackscrew: Stainless Steel/Passivate
 Alignment Sleeve: Zirconia Ceramic

180-122
**GHD • Glenair High Density
 Fiber Optic Connection System**
 Materials and Finishes • Insert Arrangements



GHD materials and finishes, and insert arrangements

Table I: Material and Finish		
Code	Material	Finish Description
M	Aluminum Alloy	Electroless Nickel
MT		Nickel - PTFE, Grey
NF		Cadmium, Olive Drab
ZNU		Zinc-Nickel, Black Zinc-Nickel, Black
ZR		Zinc-Nickel, Black (RoHS)
XM	Composite	Electroless Nickel
XMT		Nickel - PTFE, Grey
XW		Cadmium, Olive Drab
XZN		Zinc-Nickel, Black
ZL	Stainless Steel	Electro-Deposited Nickel
ZI		Passivate

Table II: Insert arrangements			
<p>Alignment Pin, Small Alignment Pin, Large</p> <p>Shell Size 11 Arrangement 4</p>	<p>Shell Size 13 Arrangement 6</p>	<p>Shell Size 15 Arrangement 16</p>	<p>Shell Size 17 Arrangement 22</p>
<p>Shell Size 19 Arrangement 30</p>	<p>Shell Size 21 Arrangement 40</p>	<p>Shell Size 23 Arrangement 52</p>	<p>Shell Size 25 Arrangement 70</p>
<p>Plug face marking with removable alignment sleeve retainer (ASR) shown. Receptacle face - opposite. ASR includes two guide pins and a threaded center jackscrew.</p>			

X-ON Electronics

Largest Supplier of Electrical and Electronic Components

Click to view similar products for [Fibre Optic Connectors](#) category:

Click to view products by [Glenair](#) manufacturer:

Other Similar products are found below :

[0004700001](#) [6100-R](#) [6313](#) [F709722200](#) [F709730000](#) [F718183204](#) [F727403500](#) [F727752800](#) [8119](#) [9440F20-27S-190](#) [944-120-6001](#)
[9441F10SL-3S](#) [9444W28-21S](#) [9444W36-10S](#) [9446W20-16S](#) [953-101-5310-P](#) [954-101-57202B](#) [A0270169](#) [12-9122](#) [12-5702](#) [AX101713](#)
[AX102420](#) [AX103923](#) [AX104024](#) [AX104193](#) [AX104230](#) [AX104562](#) [AX105203-B25](#) [AX105205-S1](#) [EHSC2M](#) [17-300800](#) [181-011-126](#)
[181-011-S](#) [181-057-126](#) [NKSOPBUY](#) [20500002116](#) [2064996-1](#) [20800001065](#) [2170](#) [9132](#) [2612](#) [2620](#) [9291](#) [9440F16-10S](#) [9440F20-18S](#)
[9444W32-73S](#) [9446F16-10S-190](#) [953-106-50231](#) [953-120-5003](#) [955-120-5110](#)