

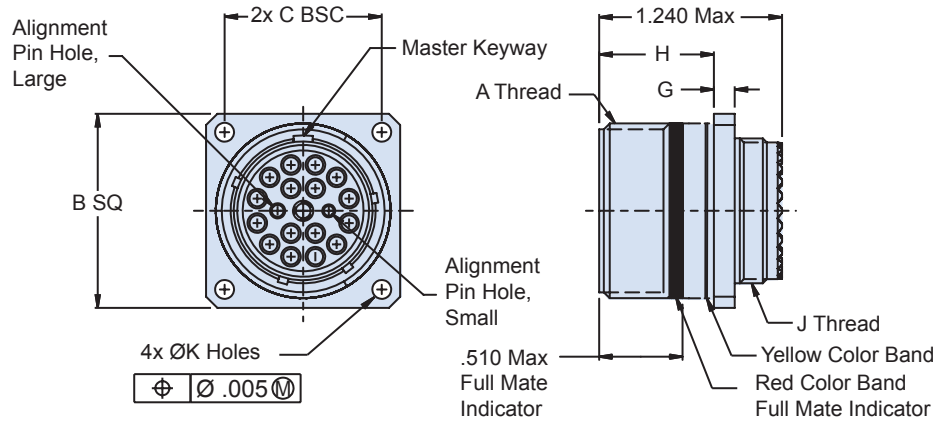
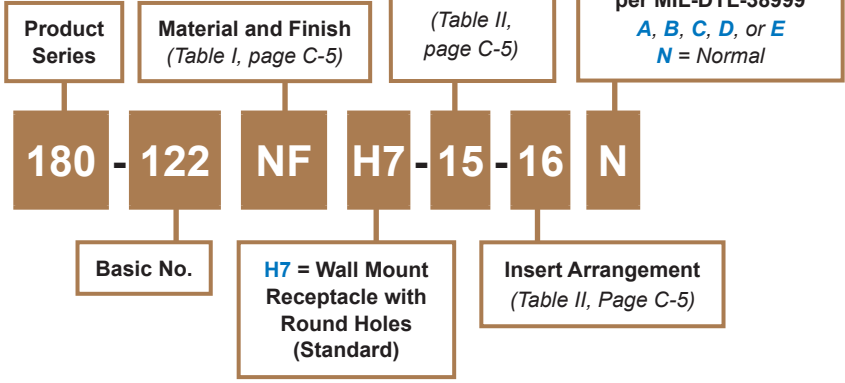
180-122 (H7)
GHD • Glenair High Density
Fiber Optic Connection System
D38999 Style Square Flange Receptacle with Round Holes



GHD Square flange receptacle with standard (round) holes



How To Order



H7 - Wall Mount Receptacle with Round Holes (Standard)

Material and Finish

Shell: See Table I, Page C-5
 Insert: High grade rigid dielectric, or Al Alloy/Anodized - MFR's option

180-122 (H7)
GHD • Glenair High Density
Fiber Optic Connection System
D38999 Style Square Flange Receptacle with Round Holes



Table II: Shell Size

Shell Size Code	Shell Size	A Thread	B SQ	C BSC	G	H	J Thread	Ø K Holes
B	11	.7500 -1P -3L-TS-2A	1.043 (26.5) 1.019 (25.9)	.812 (20.6)	.144 (3.7) .083 (2.1)	.823 (20.9) .768 (19.5)	M15 X 1.0-6g 0.100R	.136 (3.5) .120 (3.0)
C	13	.8750 -1P -3L-TS-2A	1.138 (28.9) 1.114 (28.3)	.906 (23.0)	.144 (3.7) .083 (2.1)	.823 (20.9) .768 (19.5)	M18 X 1.0-6g 0.100R	.136 (3.5) .120 (3.0)
D	15	1.0000 -1P -3L-TS-2A	1.232 (31.3) 1.208 (30.7)	.969 (24.6)	.144 (3.7) .083 (2.1)	.823 (20.9) .768 (19.5)	M22 X 1.0-6g 0.100R	.136 (3.5) .120 (3.0)
E	17	1.1875 -1P -3L-TS-2A	1.323 (33.6) 1.299 (33.0)	1.062 (27.0)	.144 (3.7) .083 (2.1)	.823 (20.9) .768 (19.5)	M25 X 1.0-6g 0.100R	.136 (3.5) .120 (3.0)
F	19	1.2500 -1P -3L-TS-2A	1.449 (36.8) 1.425 (36.2)	1.156 (29.4)	.144 (3.7) .083 (2.1)	.823 (20.9) .768 (19.5)	M28 X 1.0-6g 0.100R	.136 (3.5) .120 (3.0)
G	21	1.3750 -1P -3L-TS-2A	1.575 (40.0) 1.551 (39.4)	1.250 (31.8)	.171 (4.3) .083 (2.1)	.791 (20.1) .736 (18.7)	M31 X 1.0-6g 0.100R	.136 (3.5) .120 (3.0)
H	23	1.5000 -1P -3L-TS-2A	1.701 (43.2) 1.677 (42.6)	1.375 (34.9)	.171 (4.3) .083 (2.1)	.791 (20.1) .736 (18.7)	M34 X 1.0-6g 0.100R	.162 (4.1) .146 (3.7)
J	25	1.6250 -1P -3L-TS-2A	1.823 (46.3) 1.799 (45.7)	1.500 (38.1)	.171 (4.3) .083 (2.1)	.791 (20.1) .736 (18.7)	M37 X 1.0-6g 0.100R	.162 (4.1) .146 (3.7)

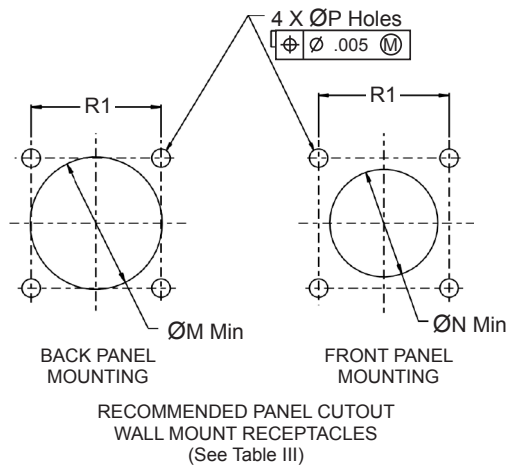


Table III: Mounting Holes For Wall Mount Receptacles

Shell Size Code	Shell Size	Ø M Min	Ø N Min	Ø P Holes	R1 BSC
B	11	.796 (20.2)	.625 (15.9)	.133 (3.4) .123 (3.1)	.812 (20.6)
C	13	.922 (23.4)	.750 (19.1)	.133 (3.4) .123 (3.1)	.906 (23.0)
D	15	1.047 (26.6)	.906 (23.0)	.133 (3.4) .123 (3.1)	.969 (24.6)
E	17	1.219 (31.0)	1.016 (25.8)	.133 (3.4) .123 (3.1)	1.062 (27.0)
F	19	1.297 (32.9)	1.141 (29.0)	.133 (3.4) .123 (3.1)	1.156 (29.4)
G	21	1.422 (36.1)	1.266 (32.2)	.133 (3.4) .123 (3.1)	1.250 (31.8)
H	23	1.547 (39.3)	1.375 (34.9)	.159 (4.0) .149 (3.8)	1.375 (34.9)
J	25	1.672 (42.5)	1.484 (37.7)	.155 (3.9) .145 (3.7)	1.500 (38.1)



GHD materials and finishes, and insert arrangements

Table I: Material and Finish		
Code	Material	Finish Description
M	Aluminum Alloy	Electroless Nickel
MT		Nickel - PTFE, Grey
NF		Cadmium, Olive Drab
ZNU		Zinc-Nickel, Black Zinc-Nickel, Black
ZR		Zinc-Nickel, Black (RoHS)
XM	Composite	Electroless Nickel
XMT		Nickel - PTFE, Grey
XW		Cadmium, Olive Drab
XZN		Zinc-Nickel, Black
ZL	Stainless Steel	Electro-Deposited Nickel
ZI		Passivate

Table II: Insert arrangements			
<p>Alignment Pin, Small Alignment Pin, Large</p> <p>Shell Size 11 Arrangement 4</p>	<p>Shell Size 13 Arrangement 6</p>	<p>Shell Size 15 Arrangement 16</p>	<p>Shell Size 17 Arrangement 22</p>
<p>Shell Size 19 Arrangement 30</p>	<p>Shell Size 21 Arrangement 40</p>	<p>Shell Size 23 Arrangement 52</p>	<p>Shell Size 25 Arrangement 70</p>
<p>Plug face marking with removable alignment sleeve retainer (ASR) shown. Receptacle face - opposite. ASR includes two guide pins and a threaded center jackscrew.</p>			

X-ON Electronics

Largest Supplier of Electrical and Electronic Components

Click to view similar products for [Fibre Optic Connectors](#) category:

Click to view products by [Glenair](#) manufacturer:

Other Similar products are found below :

[0004700001](#) [6100-R](#) [6313](#) [F709722200](#) [F709730000](#) [F718183204](#) [F727403500](#) [F727752800](#) [8119](#) [9440F20-27S-190](#) [944-120-6001](#)
[9441F10SL-3S](#) [9444W28-21S](#) [9444W36-10S](#) [9446W20-16S](#) [953-101-5310-P](#) [954-101-57202B](#) [A0270169](#) [12-9122](#) [12-5702](#) [AX101713](#)
[AX102420](#) [AX103923](#) [AX104024](#) [AX104193](#) [AX104230](#) [AX104562](#) [AX105203-B25](#) [AX105205-S1](#) [EHSC2M](#) [17-300800](#) [181-011-126](#)
[181-011-S](#) [181-057-126](#) [NKSOPBUY](#) [20500002116](#) [2064996-1](#) [20800001065](#) [2170](#) [9132](#) [2612](#) [2620](#) [9291](#) [9440F16-10S](#) [9440F20-18S](#)
[9444W32-73S](#) [9446F16-10S-190](#) [953-106-50231](#) [953-120-5003](#) [955-120-5110](#)