

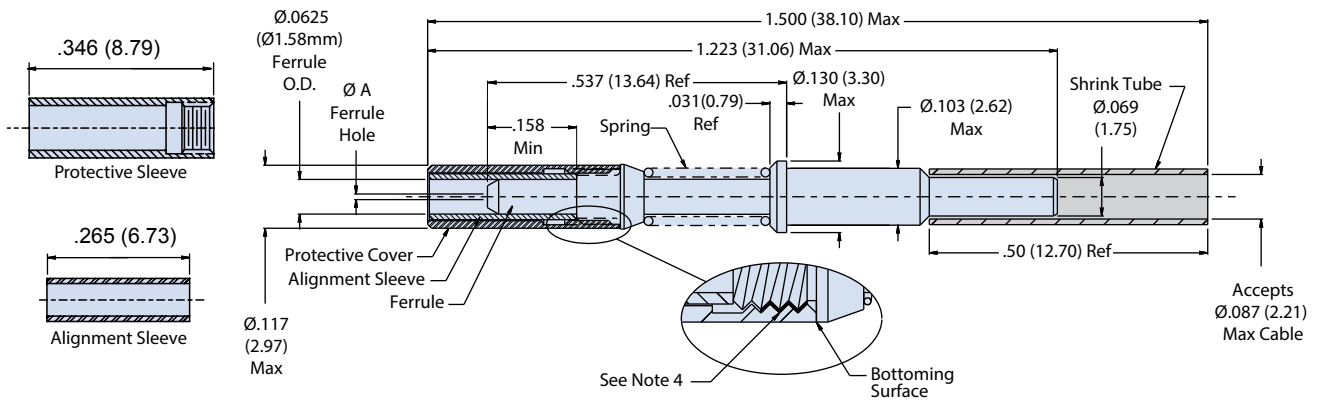
181-001 • M29504/05 fiber optic socket terminus, size 16 MIL-DTL-38999 Series III Type

M29504/05 TYPE, STYLE 1 SOCKET TERMINUS FOR MIL-DTL-38999 SERIES III



Part Number	Fiber Size Core/Cladding/Coating (Microns)	Ø A (Microns)	Ref. M29504/05-XXXX
181-001-125	9/125 (Singlemode)	125.5	M29504/05-4237
181-001-126S	9/125 (Singlemode)	126.0	M29504/05-4238
181-001-126	50/125 & 62.5/125	126.0	M29504/05-4239
181-001-127	50/125 & 62.5/125	127.0	M29504/05-4046
181-001-142	100/140	142.0	M29504/05-4049
181-001-144	100/140	144.0	N/A
181-001-145	100/140	145.0	M29504/05-4050
181-001-156	62.5/125/155 (Polyimide)	156.0	M29504/05-4240
181-001-157	62.5/125/155 (Polyimide)	157.0	M29504/05-4241
181-001-173	100/140/172 (Polyimide)	173.0	M29504/05-4088
181-001-175	100/140/172 (Polyimide)	175.0	M29504/05-4242
181-001-231	200/230	231.0	N/A
181-001-236	200/230	236.0	N/A
181-001-286	200/280	286.0	N/A
181-001-448	400/440	448.0	N/A
181-001-533	486/500	533.0	N/A

Consult factory for additional sizes and QPL status



Ceramic alignment sleeve supplied with terminus. Add **K** to the end of part number development to supply with optional stainless steel alignment sleeve e.g. 181-001-126**K**.

ACCESSORIES	
Part Number	Description
181-001-S	Alignment Sleeve, Split Ceramic (standard)
181-001-K	Alignment Sleeve, Split Stainless Steel
181-001-C	Protective cover

NOTES

- Alignment sleeve & protective cover are supplied with terminus and may be ordered separately (see accessories table).
- Insertion/extraction tool: P/N M81969/14-03 or equivalent
- For socket dust cap use part number 187-019 over ferrule and 187-029 over protective cover
- Threaded protective cover must be retained using threadlocker "loctite 222" prior to insertion into connector. See Glenair assembly procedure GAP-015 for termination instructions
- Hand polishing tool: 182-001S or 182-001SW
- Material/Finish
 - Ferrule: zirconia ceramic
 - Alignment sleeve: zirconia ceramic or stainless steel/passivate.
 - Terminus body, spring, cover: stainless steel/passivate
 - Shrink tube: kynar

X-ON Electronics

Largest Supplier of Electrical and Electronic Components

Click to view similar products for [Fibre Optic Connectors](#) category:

Click to view products by [Glenair](#) manufacturer:

Other Similar products are found below :

[0004700001](#) [6100-R](#) [6313](#) [F709722200](#) [F709730000](#) [F718183204](#) [F727403500](#) [F727752800](#) [8119](#) [9440F20-27S-190](#) [944-120-6001](#)
[9441F10SL-3S](#) [9444W28-21S](#) [9444W36-10S](#) [9446W20-16S](#) [953-101-5310-P](#) [954-101-57202B](#) [A0270169](#) [12-9122](#) [12-5702](#) [AX101713](#)
[AX102420](#) [AX103923](#) [AX104024](#) [AX104193](#) [AX104230](#) [AX104562](#) [AX105203-B25](#) [AX105205-S1](#) [EHSC2M](#) [17-300800](#) [181-011-126](#)
[181-011-S](#) [181-057-126](#) [NKSOPBUY](#) [20500002116](#) [2064996-1](#) [20800001065](#) [2170](#) [9132](#) [2612](#) [2620](#) [9291](#) [9440F16-10S](#) [9440F20-18S](#)
[9444W32-73S](#) [9446F16-10S-190](#) [953-106-50231](#) [953-120-5003](#) [955-120-5110](#)