

# SuperNine® Fiber optic connectors

## 181-035 large core fiber optic socket terminus

### MIL-DTL-38999 Series III type

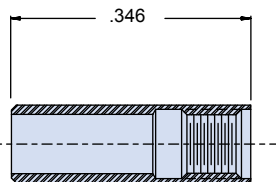
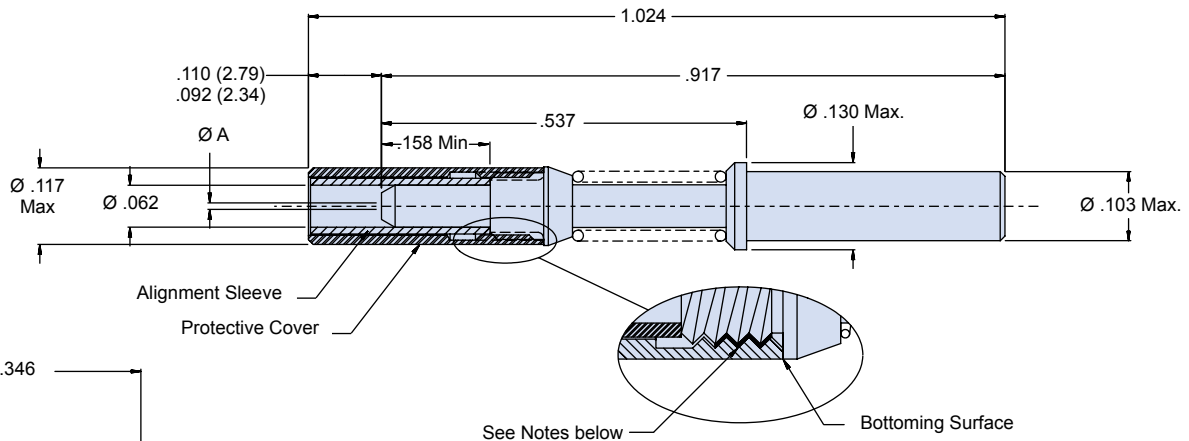


#### LARGE CORE FIBER OPTIC MIL-DTL-38999 TYPE SIZE 16 SOCKET TERMINUS

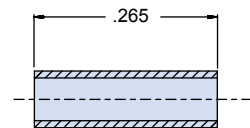


| Part Number         | Fiber Size Core/Cladding (Microns) | ØA (Microns) |
|---------------------|------------------------------------|--------------|
| <b>181-035-600</b>  | 600 Micron                         | 610.0        |
| <b>181-035-1000</b> | 1000 Micron (Plastic)              | 1117.0       |

Ceramic alignment sleeve supplied with terminus.  
Add **K** to the end of part number development to supply with optional stainless steel alignment sleeve e.g. 181-035-1000**K**.



Protective Cover



Alignment Sleeve

#### NOTES

- Alignment sleeve and protective cover can also be ordered separately (see Accessories table)
- Threaded Protective cover must be retained using Threadlocker "Loctite 222" prior to insertion and fully seated against terminus body as shown.
- Contact Glenair for termination/assembly procedures.
- Recommended Insertion/Extraction Tool: P/N M81969/14-03 or equivalent Spacer, Spring, and Cover: Stainless Steel/Passivate
- Material and Finish:
  - Ferrule: Stainless Steel/Passivate
  - Alignment Sleeve: Zirconia Ceramic or Stainless Steel/Passivate
  - Terminus Assembly: Stainless Steel/Passivate

| Accessories      |                                  |
|------------------|----------------------------------|
| Part Number      | Terminus Accessory               |
| <b>181-001-S</b> | Ceramic Alignment Sleeve         |
| <b>181-001-K</b> | Stainless Steel Alignment Sleeve |
| <b>181-001-C</b> | Protective Cover                 |



## X-ON Electronics

Largest Supplier of Electrical and Electronic Components

*Click to view similar products for [Fibre Optic Connectors](#) category:*

*Click to view products by [Glenair](#) manufacturer:*

Other Similar products are found below :

[0004700001](#) [6100-R](#) [6313](#) [F709722200](#) [F709730000](#) [F718183204](#) [F727403500](#) [F727752800](#) [8119](#) [9440F20-27S-190](#) [944-120-6001](#)  
[9441F10SL-3S](#) [9444W28-21S](#) [9444W36-10S](#) [9446W20-16S](#) [953-101-5310-P](#) [954-101-57202B](#) [A0270169](#) [12-9122](#) [12-5702](#) [AX101713](#)  
[AX102420](#) [AX103923](#) [AX104024](#) [AX104193](#) [AX104230](#) [AX104562](#) [AX105203-B25](#) [AX105205-S1](#) [EHSC2M](#) [17-300800](#) [181-011-126](#)  
[181-011-S](#) [181-057-126](#) [NKSOPBUY](#) [20500002116](#) [2064996-1](#) [20800001065](#) [2170](#) [9132](#) [2612](#) [2620](#) [9291](#) [9440F16-10S](#) [9440F20-18S](#)  
[9444W32-73S](#) [9446F16-10S-190](#) [953-106-50231](#) [953-120-5003](#) [955-120-5110](#)