

# Series 80 Mighty Mouse Size #16 Fiber Optic Termini 181-057 and 181-075



## Size 16 fiber optic termini

Size 16 fiber optic termini are compatible with all Series 80 Mighty Mouse threaded coupling connectors with size 16 cavities. These snap-in, rear-release termini feature precision ceramic ferrules and sleeves for accurate fiber alignment. Typical insertion loss 0.5 dB. Fits 50/125 and 62.5/125 multi mode and 9/125 single mode fiber.



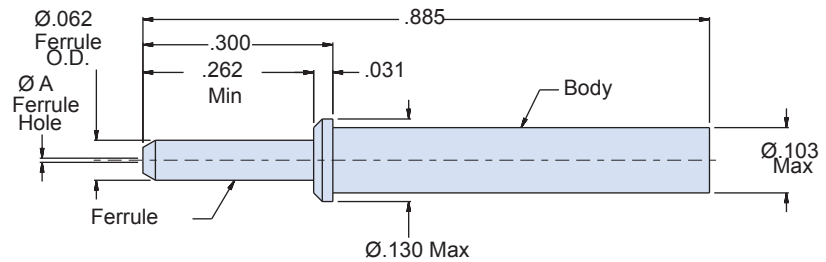
181-057 Pin Terminus



181-075 Socket Terminus

Termini Type	Optical Fiber Type	Part Number	A Ferrule I.D.
Pin	Single Mode	<a href="#">181-057-125</a>	125.5 microns
	Multi Mode	<a href="#">181-057-126</a>	126.0 microns
Socket	Single Mode	<a href="#">181-075-125</a>	125.5 microns
	Multi Mode	<a href="#">181-075-126</a>	126.0 microns

\*Consult factory for additional sizes



181-057 Pin Terminus

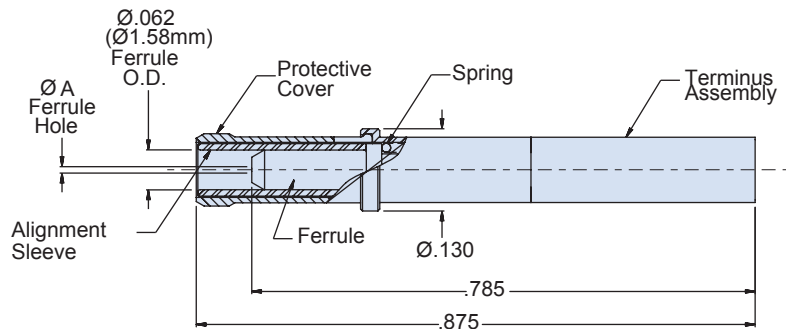
### MATERIALS AND FINISHES

#### 181-057 :

- Ferrule: zirconia ceramic
- Body: stainless steel, passivated

#### 181-075:

- Ferrule, alignment sleeve: zirconia ceramic
- Terminus assembly: stainless steel/passivate
- Spring: stainless steel/passivate
- Protective cover: spring alloy/nickel
- Insertion/extraction Tool
- Standard size 16 plastic tool
- Glenair Part Number [809-131](#)
- Military Part Number M81969/14-03
- Consult factory for termination and assembly procedures/tools.



181-075 Socket Terminus

181-001-S	Ceramic Alignment Sleeve
181-075-C	Protective Cover

Optical Insertion Loss	0.5 dB typical
Operating Temperature	-65°C to +150°C/Connector -65°C to +200°C/Termini*
Mating Durability	TIA/EIA-455-21, 500 cycles (Per MIL-PRF-29504B)
*Depending on cable and epoxy used.	

Dimensions in Inches (millimeters) are subject to change without notice.

## X-ON Electronics

Largest Supplier of Electrical and Electronic Components

*Click to view similar products for [Fibre Optic Connectors](#) category:*

*Click to view products by [Glenair](#) manufacturer:*

Other Similar products are found below :

[0004700001](#) [6100-R](#) [6313](#) [F709722200](#) [F709730000](#) [F718183204](#) [F727403500](#) [F727752800](#) [8119](#) [9440F20-27S-190](#) [944-120-6001](#)  
[9441F10SL-3S](#) [9444W28-21S](#) [9444W36-10S](#) [9446W20-16S](#) [953-101-5310-P](#) [954-101-57202B](#) [A0270169](#) [12-9122](#) [12-5702](#) [AX101713](#)  
[AX102420](#) [AX103923](#) [AX104024](#) [AX104193](#) [AX104230](#) [AX104562](#) [AX105203-B25](#) [AX105205-S1](#) [EHSC2M](#) [17-300800](#) [181-011-126](#)  
[181-011-S](#) [181-057-126](#) [NKSOPBUY](#) [20500002116](#) [2064996-1](#) [20800001065](#) [2170](#) [9132](#) [2612](#) [2620](#) [9291](#) [9440F16-10S](#) [9440F20-18S](#)  
[9446F16-10S-190](#) [953-106-50231](#) [953-120-5003](#) [955-120-5110](#) [1757711-1](#)