



Single or multi mode. Ceramic ferrule. 0.5 dB loss. Size 20HD fiber optic termini are compatible with Series 806 connectors with size 20HD contact arrangements. These snap-in, rear release termini feature precision ceramic ferrules for accurate fiber alignment. Typical insertion loss 0.5 dB. Fits 50/125 and 62.5/125 multi mode and 9/125 single mode fiber.

#20HD Fiber Optic Termini for Series 806 Connectors				
Termini Type	Optical Fiber Type	Part Number	ØA Ferrule Hole	Fiber Size Core/Cladding
Pin	Single Mode	181-134-1255	125.5 microns	9/125
Pin	Multi Mode	181-134-126	126.0 microns	50/125, 62.5/125
Socket	Single Mode	181-135-1255	125.5 microns	9/125
Socket	Multi Mode	181-135-126	126.0 microns	50/125, 62.5/125

Specifications

- Operating temperature: -55°C to +125°C
Temperature rating depends on the cable and epoxy used.
- Termination method: epoxy/polish
- Mating durability: 500 cycles
- Random vibration: 49.5 Grms, EIA-364-28 Test Condition V. Maximum optical discontinuity 0.5 dB, 50 microseconds.
- Mechanical shock: 300 G, TIA-455-14 Test Condition D. Maximum optical discontinuity 0.5 dB, 50 microseconds.

Construction

- Ferrule, alignment sleeve: zirconia ceramic
- Body, shroud: copper/nickel/zinc alloy
- Spring (socket, not shown): stainless steel, passivated
- Protective cover (socket): copper alloy, nickel plated

Termination Tools

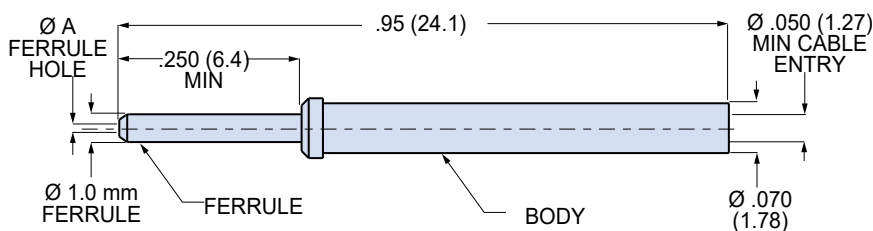
- Polishing pucks

Puck Style	Type	Tool PN
Pin	dry polish	182-056P
	wet polish	182-056PW
Socket	dry polish	182-056S
	wet polish	182-056SW

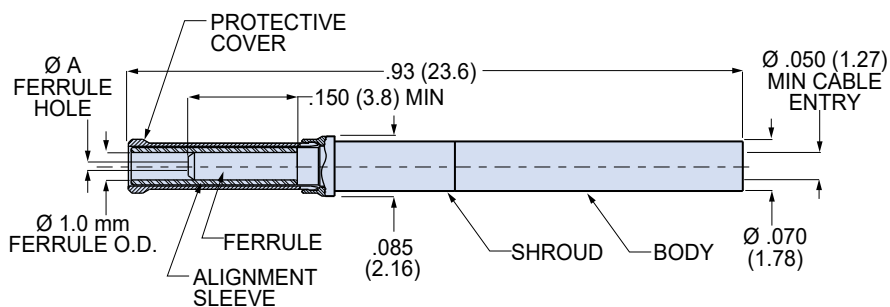
Assembly Tools

- Plastic insertion/extraction tool: 809-203D
- Metal insertion/extraction tool: 809-203

#20HD Pin Terminus 181-134



#20HD Socket Terminus 181-135



X-ON Electronics

Largest Supplier of Electrical and Electronic Components

Click to view similar products for [Fibre Optic Connectors](#) category:

Click to view products by [Glenair](#) manufacturer:

Other Similar products are found below :

[0004700001](#) [6100-R](#) [6313](#) [F709722200](#) [F709730000](#) [F718183204](#) [F727403500](#) [F727752800](#) [8119](#) [9440F20-27S-190](#) [944-120-6001](#)
[9441F10SL-3S](#) [9444W28-21S](#) [9444W36-10S](#) [9446W20-16S](#) [953-101-5310-P](#) [954-101-57202B](#) [A0270169](#) [12-9122](#) [12-5702](#) [AX101713](#)
[AX102420](#) [AX103923](#) [AX104024](#) [AX104193](#) [AX104230](#) [AX104562](#) [AX105203-B25](#) [AX105205-S1](#) [EHSC2M](#) [17-300800](#) [181-011-126](#)
[181-011-S](#) [181-057-126](#) [NKSOPBUY](#) [20500002116](#) [2064996-1](#) [20800001065](#) [2170](#) [9132](#) [2612](#) [2620](#) [9291](#) [9440F16-10S](#) [9440F20-18S](#)
[9446F16-10S-190](#) [953-106-50231](#) [953-120-5003](#) [955-120-5110](#) [1757711-1](#)