

THIS COPYRIGHTED DOCUMENT IS THE PROPERTY OF GLENAIR, INC. AND IS FURNISHED ON THE CONDITION THAT IT IS NOT TO BE DISCLOSED, REPRODUCED IN WHOLE OR IN PART, OR USED TO SOLICIT QUOTATIONS FROM COMPETITIVE SOURCES, OR USED FOR MANUFACTURE BY ANYONE OTHER THAN GLENAIR, INC. WITHOUT WRITTEN PERMISSION FROM GLENAIR, INC. THE INFORMATION HEREIN HAS BEEN DEVELOPED AT GLENAIR'S EXPENSE AND MAY BE USED FOR ENGINEERING EVALUATION AND INCORPORATION INTO TECHNICAL SPECIFICATIONS AND OTHER DOCUMENTS WHICH SPECIFY PROCUREMENT OF PRODUCTS FROM GLENAIR, INC.

REVISIONS

| REV | DESCRIPTION                            | DATE    | APPROVED |
|-----|--|---------|----------|
| A   | INITIAL RELEASE                        | 4/7/17  | DLU      |
| B   | UPDATED NOMECLAURE FOR CONTACT CONFIG. | 4/21/17 | DLU      |
| C   | ADDED COMPOSITE AND SOLDER CUP         | 6/23/17 | DLU      |

PART NUMBER DEVELOPMENT

EXAMPLE: 233-250 ME 17 - 35 C N

CODE RED CONNECTOR STYLE: \_\_\_\_\_  
RECEPTACLE, JAM NUT MOUNT

MATERIAL/FINISH: \_\_\_\_\_  
ME = ALUMINUM ALLOY, NICKEL PLATE  
XM = COMPOSITE, NICKEL PLATE

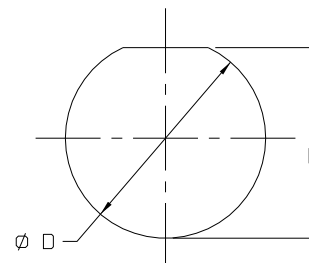
SHELL SIZE: \_\_\_\_\_  
9, 11, 13, 15, 17, 19, 21, 23 & 25

INSERT ARRANGEMENT: \_\_\_\_\_  
MIL-STD-1560 (SIZE 22 AND LARGER CONTACTS)

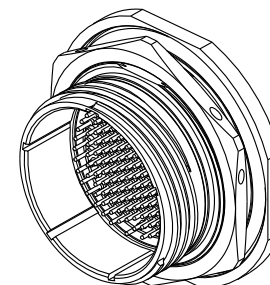
CONTACT STYLE: \_\_\_\_\_  
C = PIN, PC TAIL  
D = SOCKET, PC TAIL  
P = PIN, SOLDER CUP  
S = SOCKET, SOLDER CUP

KEYWAY POLARIZATION: \_\_\_\_\_  
A, B, C, D, E & N = NORMAL

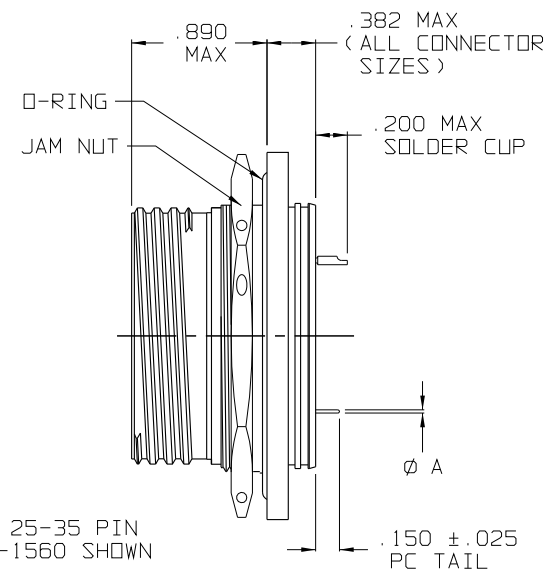
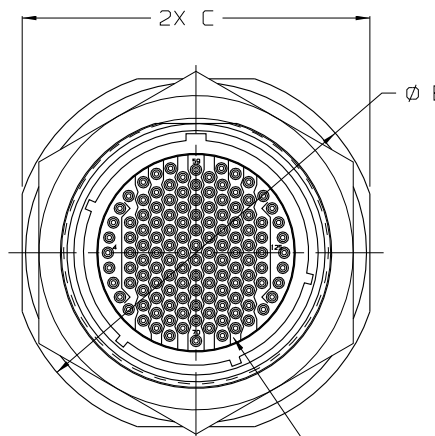
| CONTACT SIZE | ØA        |
|--------------|-----------|
| 22D          | .020/.018 |
| 20           | .030/.028 |
| 16           | .040/.038 |
| 12           | .072/.070 |



RECOMMENDED PANEL CUTOUT PER MIL-DTL-38999, TYPE E



| SHELL SIZE | Ø B ±.010 | C +.004<br>-.006 | D +.000<br>-.010 | E +.010<br>-.000 |
|------------|-----------|------------------|------------------|------------------|
| 9          | 1.189     | .651             | .693             | .657 ±.002       |
| 11         | 1.374     | .751             | .825             | .771             |
| 13         | 1.500     | .938             | 1.010            | .955             |
| 15         | 1.626     | 1.062            | 1.135            | 1.085            |
| 17         | 1.752     | 1.187            | 1.260            | 1.210            |
| 19         | 1.937     | 1.312            | 1.385            | 1.335            |
| 21         | 2.063     | 1.437            | 1.510            | 1.460            |
| 23         | 2.189     | 1.562            | 1.635            | 1.585            |
| 25         | 2.311     | 1.687            | 1.760            | 1.710            |



ARRANGEMENT 25-35 PIN PER MIL-STD-1560 SHOWN

NOTES: UNLESS OTHERWISE SPECIFIED

- CONNECTORS MEET ALL APPLICABLE DIMENSIONS, MECHANICAL, ELECTRICAL, ENVIRONMENTAL AND SEALING REQUIREMENTS OF MIL-DTL-38999/23, PC TAILS.
- CONNECTORS TESTED AND MEET APPLICABLE REQUIREMENTS OF MIL-DTL-38999/23, CLASS N & Y. SEE GLENAIR TEST REPORT GT-16-233.
- MATERIAL/FINISHES:  
SHELL & JAM NUTS: ALUMINUM ALLOY 6061-T6/NICKEL PLATE PER D38999 SERIES III, CLASS F; OR COMPOSITE PER D38999 SERIES III, CLASS M.  
INSULATORS: HIGH GRADE RIGID DIELECTRIC / N.A.  
O-RING & SEALS: FLUOROSILICONE / N.A.  
CONTACTS: COPPER ALLOY / GOLD PLATED.  
SEALING COMPOUND: SILICONE BASE POLYMER.
- PERFORMANCES:  
OPERATION TEMPERATURE RANGE: -65°C TO +200°C  
LEAK RATE: 1 X 10<sup>-7</sup> cc/s MAX HELIUM, 1 ATM.  
IR: 5,000 MEGOHMS MIN AT ROOM TEMPERATURE PER MIL-DTL-38999.  
DWV: SEE SERVICE RATING PER APPLICABLE MIL-STD-1560 ARRANGEMENTS.
- CONNECTORS IDENTIFIED WITH MANUFACTURER'S NAME,

|                            |                        |         |         |
|----------------------------|------------------------|---------|---------|
| UNLESS OTHERWISE SPECIFIED | DRAWN                  | D. LU   | 3/24/17 |
| DIMENSIONS ARE IN INCHES   | CHECK                  | J. DO   | 3/28/17 |
|                            | ENGR                   | D. LU   | 3/28/17 |
| TOLERANCES:                |                        |         |         |
| FRACTIONS                  | ±1/16                  |         |         |
| DECIMALS                   | .XX ±.03<br>.XXX ±.015 |         |         |
| ANGLES                     | ± 2°                   |         |         |
| APPROVED                   |                        |         |         |
| DO NOT SCALE THIS DRAWING  | RELEASE DATE           | 6/23/17 |         |
| B/F -                      | P/C                    | 233     |         |
|                            | ORIGINAL RELEASE DATE  | 3/28/17 |         |

**GLENAIR, INC.**

1211 AIR WAY • GLENDALE, CALIF. 91201

CONNECTOR, RECEPTACLE, CODE RED, LIGHT WEIGHT, HERMETIC, MIL-DTL-38999/23 TYPE

|                 |            |              |
|-----------------|------------|--------------|
| CODE IDENT. NO. | SIZE       | REV.         |
| 06324           | C          | C            |
| <b>233-250</b>  |            |              |
| SCALE N/A       | WEIGHT N/A | SHEET 1 OF 1 |

## X-ON Electronics

Largest Supplier of Electrical and Electronic Components

*Click to view similar products for [Circular MIL Spec Connector](#) category:*

*Click to view products by [Glenair](#) manufacturer:*

Other Similar products are found below :

[0025-262-542](#) [0025-264-3014](#) [58-570121-04S](#) [0134-202-1200](#) [0134-207-1206](#) [0134-207-1800](#) [0134-207-2207](#) [0134-213-0806](#) [0134-213-1007](#) [0134-213-1009](#) [0134-213-1208](#) [0134-213-1800](#) [0134-213-2209](#) [0025-258-000](#) [015-9516-002](#) [60-042722-19P](#) [0114-201-1278](#) [602GB06EG24-61SN](#) [0134-201-1207](#) [0134-201-1806](#) [0134-201-2006](#) [0134-201-2007](#) [0134-201-2010](#) [0134-202-1400](#) [0134-207-0809](#) [0134-207-1208](#) [0134-207-2009](#) [0134-213-1006](#) [6104-207-2302](#) [6104-208-1902](#) [6131-202-19149P](#) [6131-204-21149P](#) [6131-207-13149P](#) [6131-208-13149P](#) [6131-209-17149P](#) [6131-210-11149P](#) [6131-211-19149P](#) [6131-216-19149P](#) [6131-220-25149P](#) [6131-259-11149P](#) [6131-259-21149P](#) [6131-259-23149P](#) [6131-263-19149P](#) [6131-265-17149P](#) [6131-265-19149P](#) [CS3102A-20-15P](#) [CS3102A-20-15S](#) [CS3102C18-4P-472](#) [CS3106A-20-29P](#) [CS3106A-20-74P](#)