



RJ45 CAT 5E ETHERNET

Series IPT (26482 Type) Bayonet Coupler

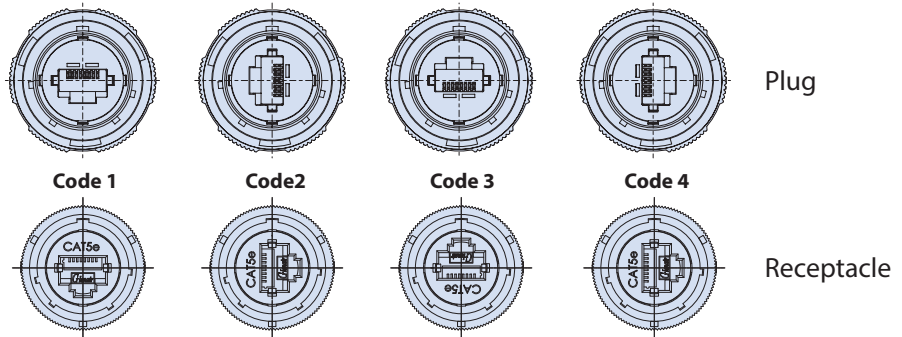


IPT301 Connector with Accessory Threads and RJ45 Plug (Plug) or Jack (Receptacle) to Crimp Removable Contacts



| How to Order | |
|----------------------------------|--|
| Sample Part Number | IPT301 00 G 18 5E 1 F7 |
| Basic Number | IPT301 |
| Connector Style | 00 = Front Panel Mount Square Flange Receptacle 01 = In-Line Receptacle 070 = Rear Panel Mounting Jam Nut Receptacle 06 = Straight Plug |
| Insert-to-Shell Grounding | G = Insert grounded to shell; available for receptacle only (for use with shielded cable) Omit = for none |
| Shell Size | 18 |
| RJ45 Category | 5E = Cat 5E For Cat 6A applications consult factory |
| RJ45 Orientation | 1,2,3 or 4 |
| Material/Finish | Omit for Aluminum/Cadmium, Olive Drab (G3) F6 = Aluminum/Black Polymer Electrocoat F7 = Aluminum/Conductive Black Zinc Nickel F11 = Aluminum/Electroless Nickel |

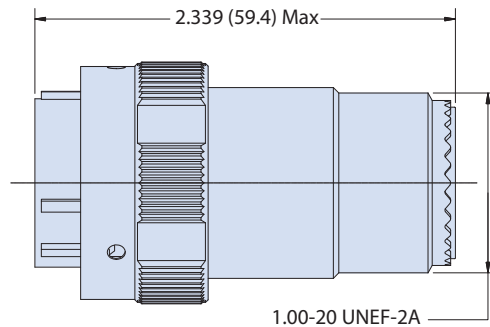
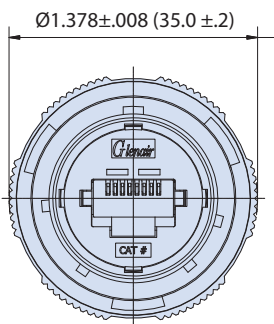
RJ45 Orientation Options



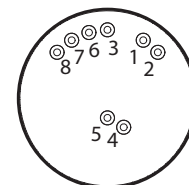
NOTES

- See Section A for recommended panel cut out dimensions

06 - PLUG WITH ACCESSORY THREADS



Crimp Layout (Code 1 Orientation Shown)



F



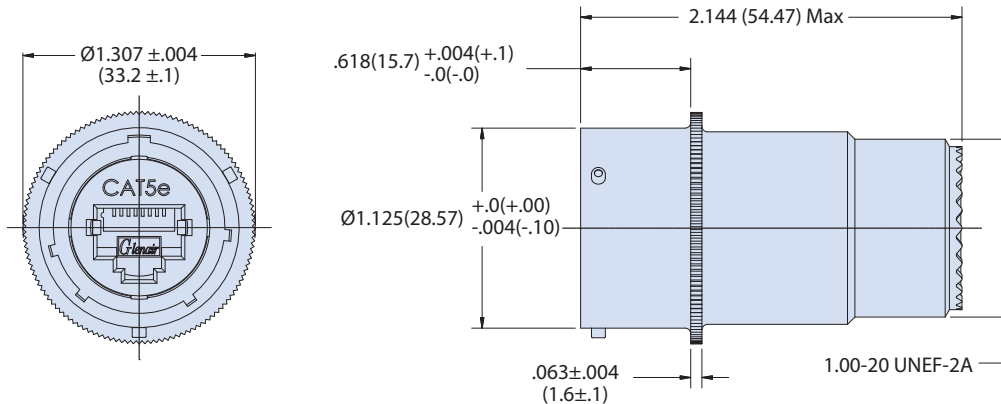
RJ45 CAT 5E ETHERNET

Series IPT (26482 Type) Bayonet Coupler

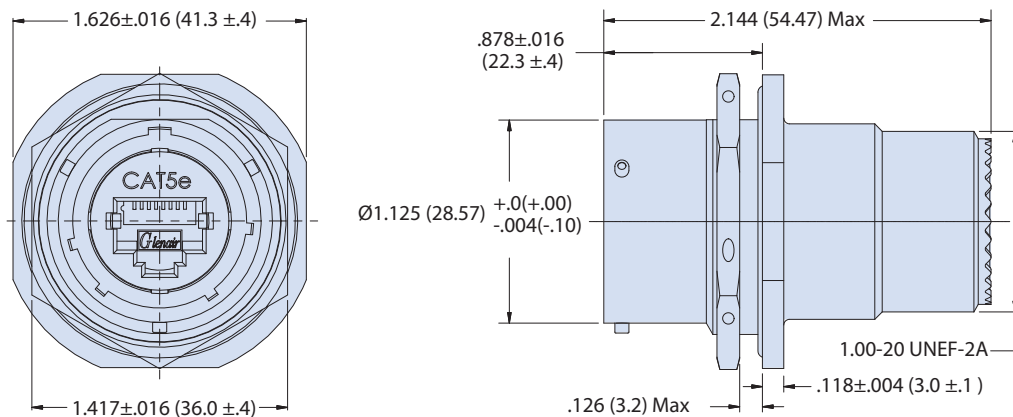


IPT301 Connector with Accessory Threads and RJ45 Plug (Plug) or Jack (Receptacle) to Crimp Removable Contacts

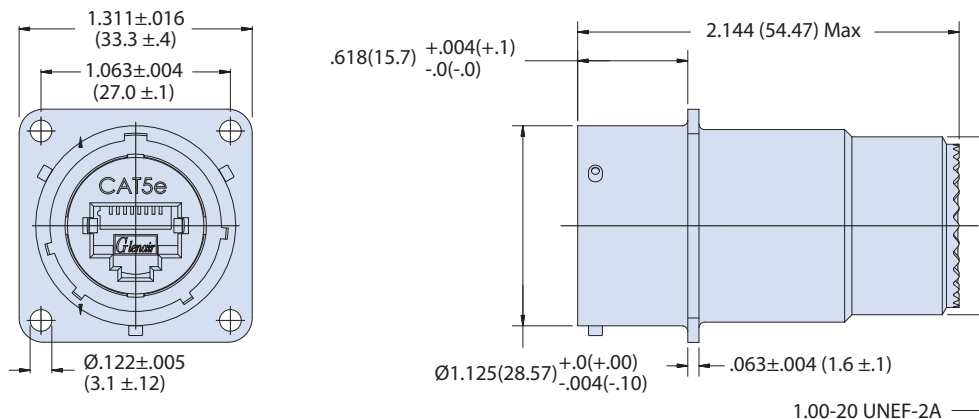
01 - INLINE RECEPTACLE WITH ACCESSORY THREADS



070 - REAR PANEL MOUNTING JAM NUT RECEPTACLE WITH ACCESSORY THREADS



00 - FRONT PANEL MOUNT SQUARE FLANGE RECEPTACLE WITH ACCESSORY THREADS



X-ON Electronics

Largest Supplier of Electrical and Electronic Components

Click to view similar products for [Modular Connectors / Ethernet Connectors](#) category:

Click to view products by [Glenair](#) manufacturer:

Other Similar products are found below :

[8949-H88/06BLKA/SN](#) [74441-0010/BKN](#) [PHP-6P6C-5](#) [GAX-3-66](#) [GAX-8-62](#) [GDCX-PN-66](#) [GLX-A-44](#) [GLX-N-1010M-BLK](#) [GMX-SMT4-N-88](#) [GSGX-N-2-88](#) [GSGX-N-4-88](#) [GSX-NS2-88-3.05](#) [GSX-NS-88-3.68](#) [PT-108A-8C-UL](#) [PTS-J531-8CS-50UL](#) [A-2014-0-4](#) [GWLX-S9-88-YG](#) [DC-1021-8-WH-6](#) [1300530003](#) [1324640-4](#) [RJ11FTVC2G](#) [RJ11FTVC2N](#) [RJFTVX2SA1G](#) [132764-001](#) [1413235](#) [MPS88RX-5000](#) [E5288-S000K3-L](#) [155302-001](#) [AX101050](#) [AX101063](#) [AX101065](#) [AX101072](#) [AX101307](#) [AX101315](#) [AX101318](#) [AX102271](#) [AX102288](#) [AX102651](#) [AX102660](#) [J0012D21NL](#) [J0026D01ENL](#) [PC4D0018P](#) [8949-B88/6](#) [2-6609208-5](#) [937-SP-3088-2PC-A192](#) [303066VFL](#) [303068V](#) [303088LFLSA](#) [303088SBL](#) [30-8603](#)