

SuperNine® USB 2.0 type A connectors

233-341 Couplers with size 22 crimp contacts

MIL-DTL-38999 Series III Type



**Plug
Front View**



**Jam Nut
Receptacle
Front View**

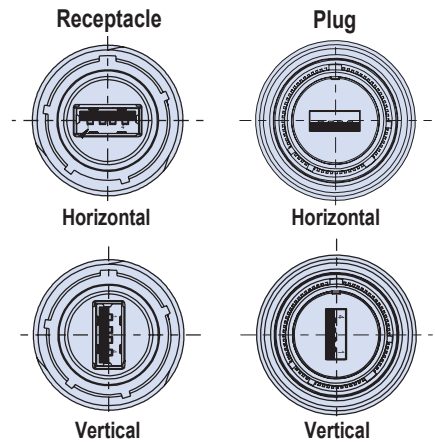


**Square Flange
Receptacle
Rear View**

		How to Order								
Sample Part Number		233-341	NF	00	-15	2	A	N	H	T
Basic Number		233-341								
Finish¹		See Material and Finishes table ¹								
Connector Style¹		See connector style table								
Shell Size		15								
RJ45 Category		2 = USB 2.0								
USB Interface Type		A = Type A								
Alternate Key Position¹		A, B, C, D, E, N = Normal; per MIL-DTL-38999								
USB Orientation		H = Horizontal V = Vertical								
Shrink Boot		T = Shrink Boot (Omit for None)								

**233-341 Superseded
by 233-345**

**USB Orientation Options
(Partial Views Shown)**



All external dimensions, features, etc. compliant with D38999/20, /24, &/26. Consult factory for additional information.

Materials and Finishes¹

NF	Cadmium olive drab
M	Electroless nickel
MT	Nickel PTFE

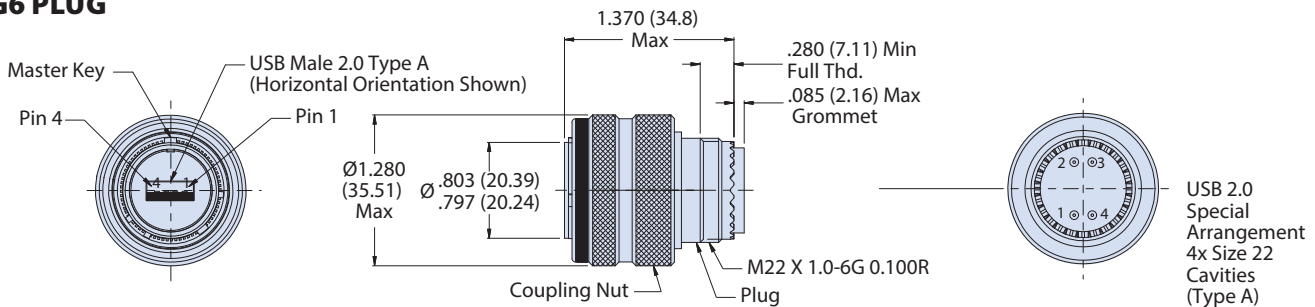
NOTES

- See Section A for alternate key positions, panel cutout dimensions and complete material and finish options
- Front panel mount only
- All external dimensions, features, etc. Compliant with D38999/20, /24 & /26. Consult factory for additional information

Connector Style ¹	
00	Square flange receptacle with slotted holes
07	Jam nut receptacle
D0	Wall mount receptacle with slotted holes
CM	Wall mount receptacle with metric clinch nuts
G6	Plug

USB 2.0 Wiring				
Pin	Name	Cable Color (USB)	Description	Recommended Wire Sizes (AWG)
1	(V Bus)	Red	+5 V	22
2	(D-)	White	Data -	28
3	(D+)	Green	Data +	28
4	(GND)	Black	Ground	22

G6 PLUG



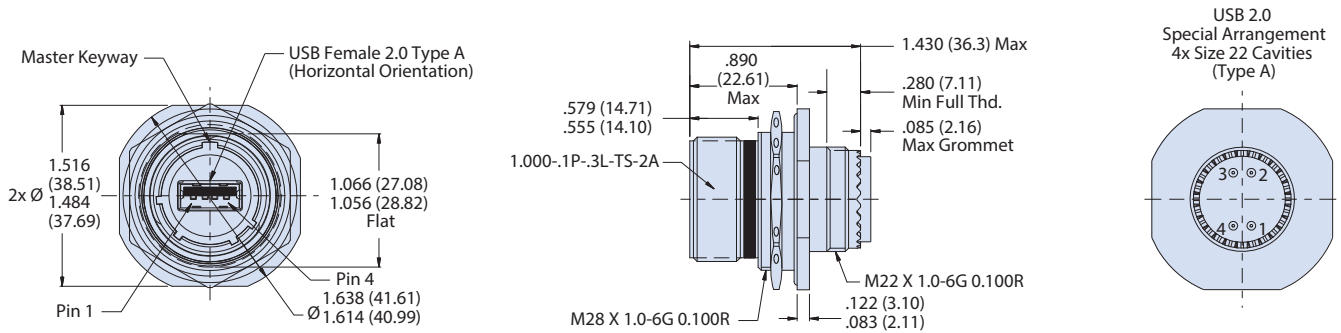
SuperNine® USB 2.0 type A connectors

233-341 Couplers with size 22 crimp contacts

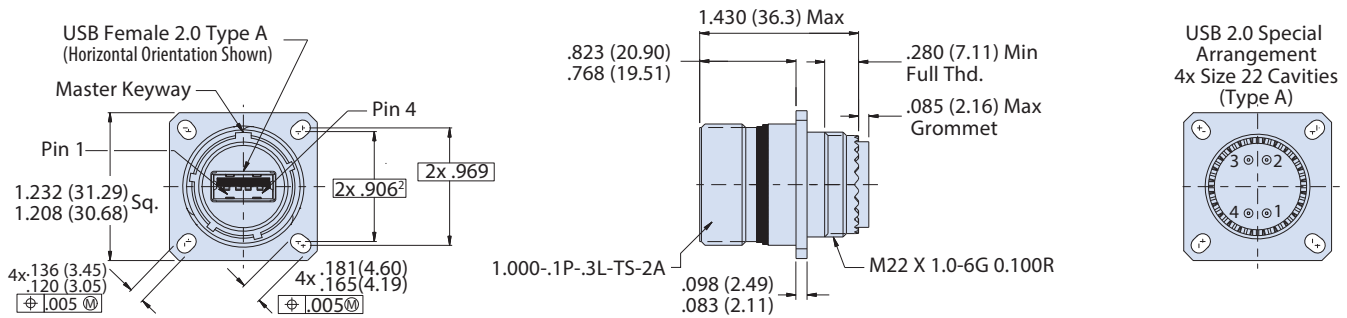
MIL-DTL-38999 Series III Type



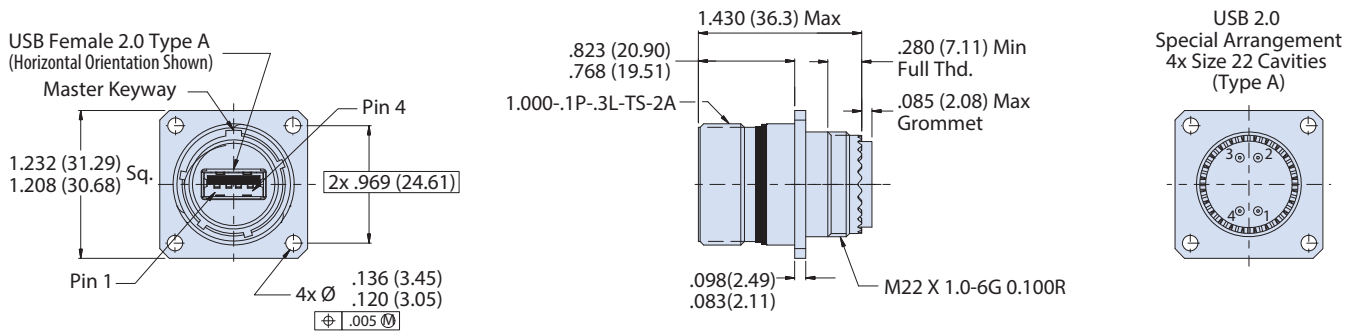
07 - REAR PANEL MOUNT, JAM NUT RECEPTACLE WITH ACCESSORY THREADS



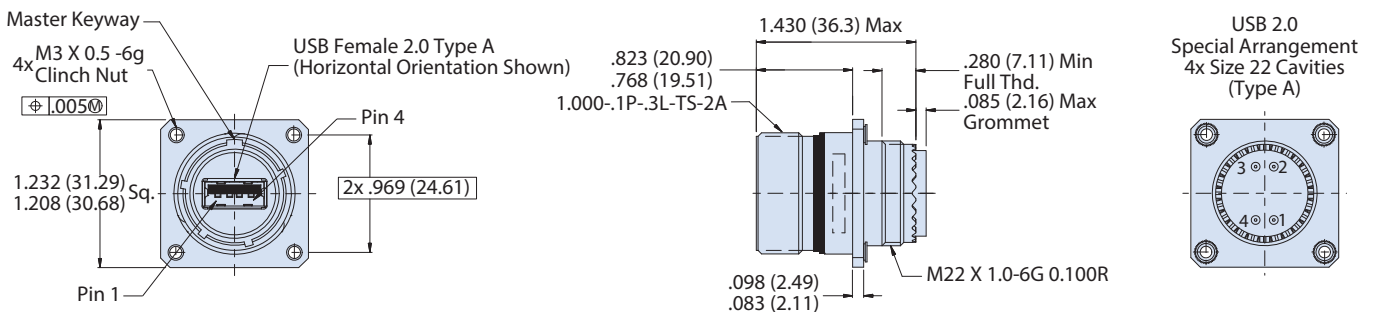
00 WALL MOUNT RECEPTACLE WITH ACCESSORY THREADS



DO - WALL MOUNT RECEPTACLES WITH ACCESSORY THREADS



CM - WALL MOUNT RECEPTACLES WITH ACCESSORY THREADS



X-ON Electronics

Largest Supplier of Electrical and Electronic Components

Click to view similar products for [USB Connectors](#) category:

Click to view products by [Glenair](#) manufacturer:

Other Similar products are found below :

[950](#) [A-USB A-LP-SMT-C](#) [A-USB B-TOP-C](#) [MUSBA511N5](#) [MUSBD11135](#) [217450-1](#) [KMBVX-TH-5S-B30](#) [896-30-004-00-000000](#)
[KUSBX-AS2N-W](#) [KUSBX-SMT2AP1S-W30](#) [935](#) [957](#) [30-498-6](#) [SK-60A-2](#) [1734082-1](#) [CIR08AF-20-27S-F80-20](#) [CIR08F-20](#) [30-1574](#) [30-470](#) [30-489](#) [30-541](#) [30-572-3](#) [A-USB A-2P-C](#) [MIKROE-1451](#) [USBFTV2PEM2G](#) [USBFTVC6ZN](#) [USBFTVSCCG](#) [4689-1](#) [1-1734084-2](#)
[CIR08F-20-27P-F80-VO](#) [USBF21ZNSCC](#) [USBBFTV6ZC](#) [MUSBB151341](#) [10135326-001LF](#) [M9177/3-1](#) [USB-A-S-F-B-VT](#) [925](#) [4198](#) [690-024-633-031](#) [UB-20PMFP-LC7001](#) [USBFTVC6MRG](#) [UA-20BMFA-SL8001](#) [17-200011](#) [USBFTVC7ZC](#) [UB-20AFMM-LL7A01](#)
[USBFTVC2MN](#) [CAP-WCCMLPB1](#) [CAP-WCCMLPC1](#) [2041386-1](#) [2274475-3](#)