



HDMI 2.0 CONNECTORS

MIL-DTL-38999 Series III Type Connectors



233-360 Panel mount couplers with accessory threads

N



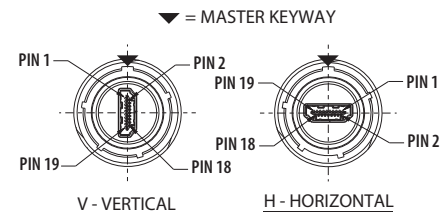
Part Number Development						
Sample Part Number	233-360	NF	00	-17	N	H
Basic Number	233-360					
Finish	See Material and Finish table					
Connector Style ¹	See Connector Style table					
Shell Size	17					
Alternate Key Position ¹	A, B, C, D, E, N = Normal per MIL-DTL-38999					
HDMI Orientation	H = Horizontal V = Vertical					
Shrink Boot	T = Part No. 770-028 (Omit for None)					

Material and Finish	
NF	Aluminum/Cadmium, Olive Drab
ME	Aluminum/Electroless Nickel
MT	Aluminum/Nickel PTFE
ZR	Aluminum/Black Zinc-Nickel
AB	Marine Bronze
XM	Composite/Electroless Nickel

Additional material / finish options available consult factory

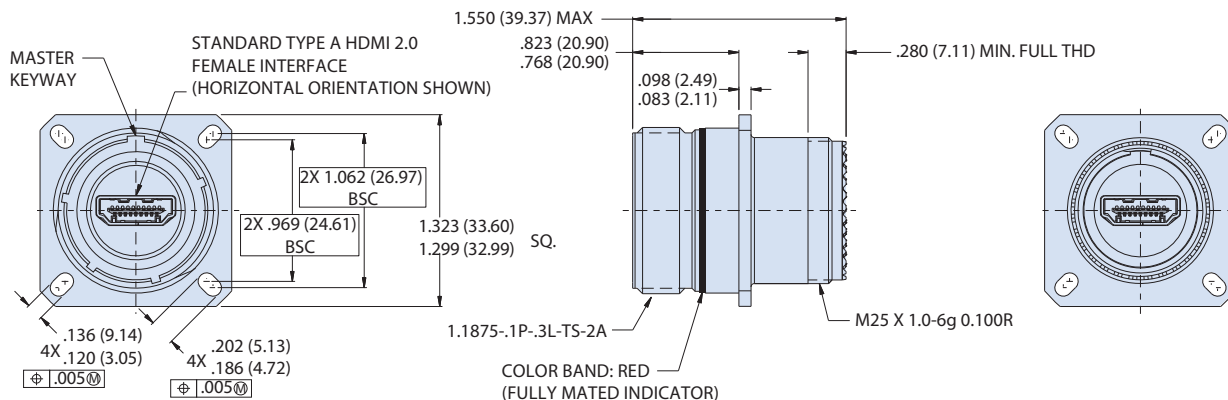
Connector Style	
00	Wall mount receptacle with slotted holes
D0	Wall mount receptacle with thru-holes
CM	Wall mount receptacle with metric clinch nuts
CS	Wall mount receptacle with standard clinch nuts
07	Rear panel mount, jam nut receptacle
05	Inline receptacle

HDMI 2 FEMALE ORIENTATION OPTIONS (PARTIAL FRONT VIEWS SHOWN)



All external dimensions, features, etc. compliant with D38999/20, /24, &/26. Consult factory for additional information.

00 - WALL MOUNT RECEPTACLE WITH SLOTTED THRU-HOLES



NOTES

- See Section A for alternate key/keyway positions and panel cutout dimensions
- Meets IP67 in unmated condition, IP68 mated
- HDMI Type A female port, front and back
- Front panel mount only
- Material and Finish
 - Shell, jam nut: see material finish table
 - Seals: silicone based elastomer
 - Hardware: stainless steel/passivated
- HDMI:
 - Housing: thermoplastic/NA
- Shell: copper alloy nickel plated
- Terminal: copper alloy/gold plated
- HDMI performance: design meets HDMI 2.0 protocol requirement including 18Gbps of bandwidth and supports 4K resolution and 60Hz



HDMI 2.0 CONNECTORS

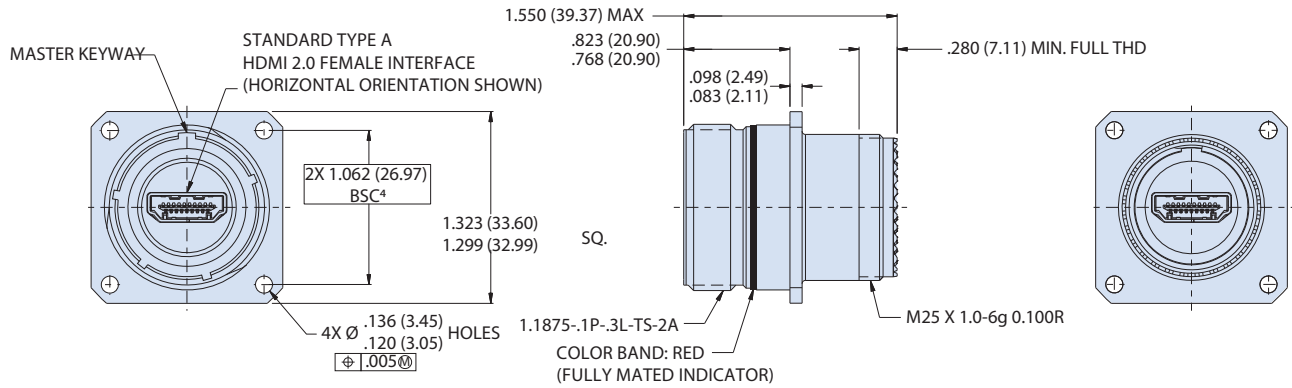
MIL-DTL-38999 Series III Type Connectors



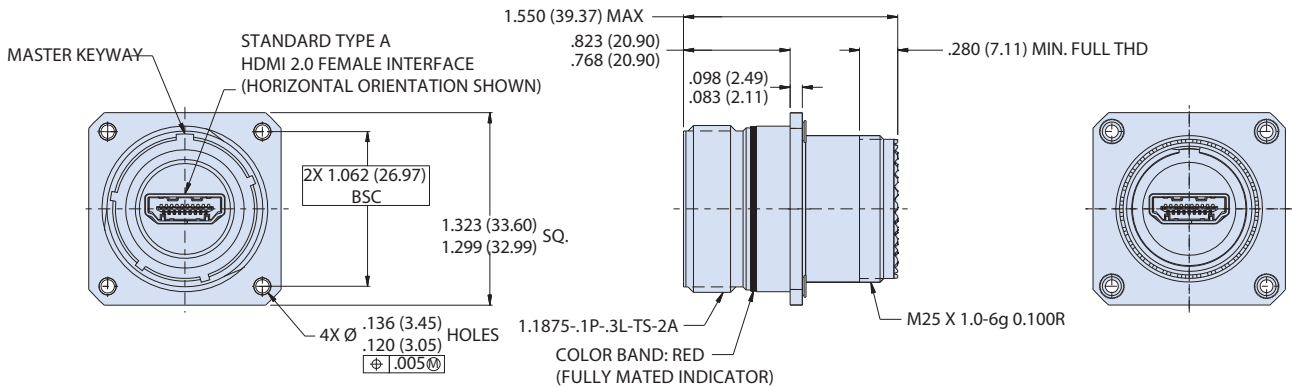
233-360 Panel mount couplers with accessory threads



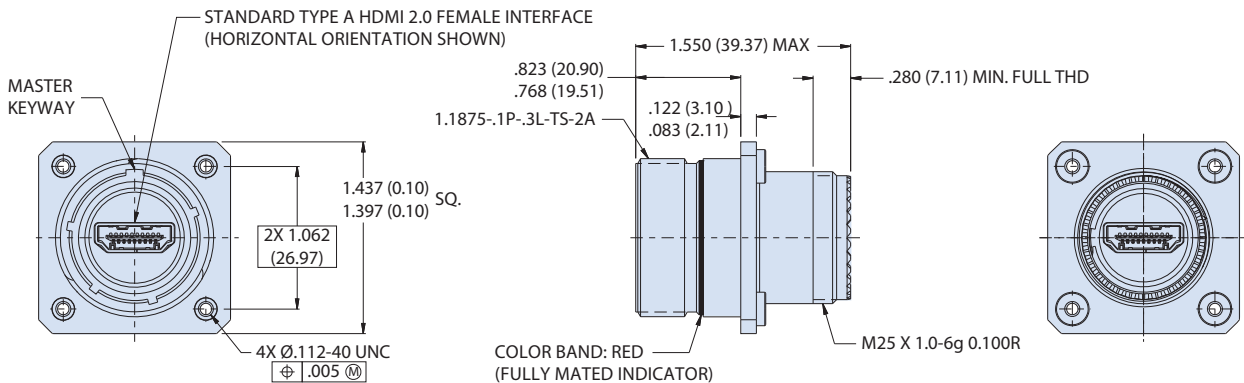
DO - WALL MOUNT RECEPTACLE WITH ROUND THRU-HOLES



CM - WALL MOUNT RECEPTACLE WITH METRIC CLINCH NUTS



CS - WALL MOUNT RECEPTACLE WITH STANDARD CLINCH NUTS





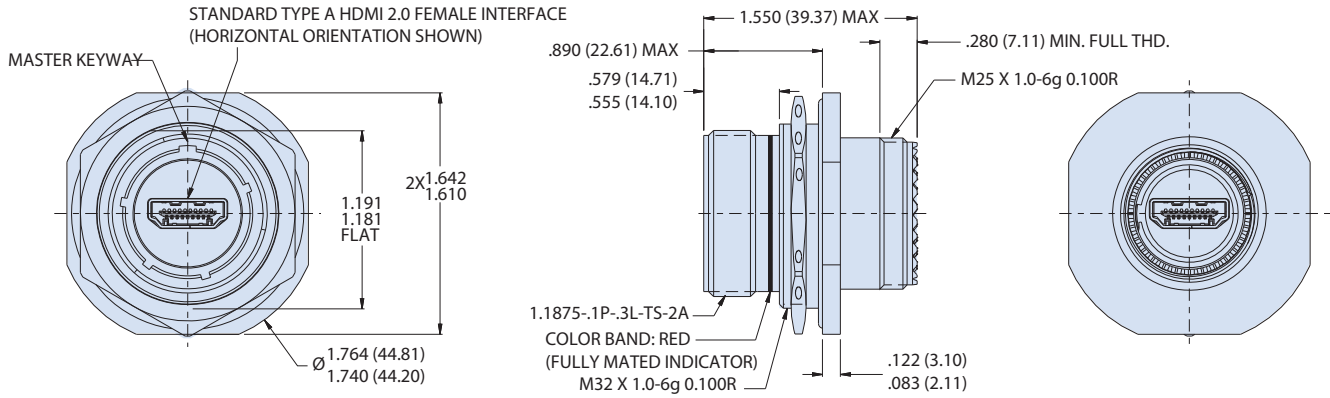
HDMI 2.0 CONNECTORS

MIL-DTL-38999 Series III Type Connectors

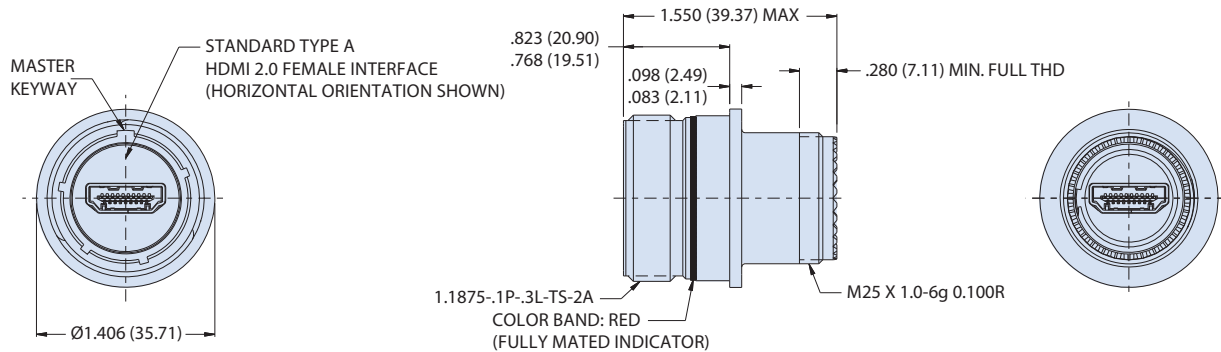


233-360 Panel mount couplers with accessory threads

07 - REAR PANEL MOUNT, JAM NUT RECEPTACLE



05 - CABLE RECEPTACLE



X-ON Electronics

Largest Supplier of Electrical and Electronic Components

Click to view similar products for [HDMI, Displayport & DVI Connectors](#) category:

Click to view products by [Glenair](#) manufacturer:

Other Similar products are found below :

[1775247-3](#) [2-1932649-5](#) [30-1231](#) [30-528](#) [2069485-1](#) [30-504](#) [30-519](#) [30-542](#) [47648-2000](#) [2002-400](#) [TC142X](#) [769-103/021-000](#) [1932649-1](#)
[233-368NFG6-17NH](#) [PJ-210A](#) [PJ-35825](#) [6321-026RDS1MWA02](#) [DV11201-H5R6-4F](#) [RPI-16337](#) [CC-MDPM-VGAM-6](#) [RPI-16338](#) [CCB-](#)
[HDMIL-1.5M](#) [CCB-HDMIL-1M](#) [CCB-HDMIL-2M](#) [CCB-HDMIL-3M](#) [CCB-HDMIL-5M](#) [CCB-HDMIL-7.5M](#) [CCBP-HDMI-10M](#) [CCBP-](#)
[HDMI-1M](#) [CCBP-HDMI-2M](#) [CCBP-HDMI-3M](#) [CCBP-HDMI-5M](#) [CCBP-HDMI-7.5M](#) [CCBP-HDMI8K-1M](#) [CCBP-HDMI8K-2M](#) [CCBP-](#)
[HDMI8K-3M](#) [AK-AV-02](#) [AK-AV-03](#) [AK-AV-05](#) [AK-AV-06](#) [AK-AV-10](#) [AK-AV-11](#) [AK-AV-13](#) [AK-AV-15](#) [CCP-MDP2-6](#) [CCP-](#)
[MDPMDP2-6](#) [AK-HD-05A](#) [AK-HD-100A](#) [AK-HD-100P](#) [AK-HD-10M](#)