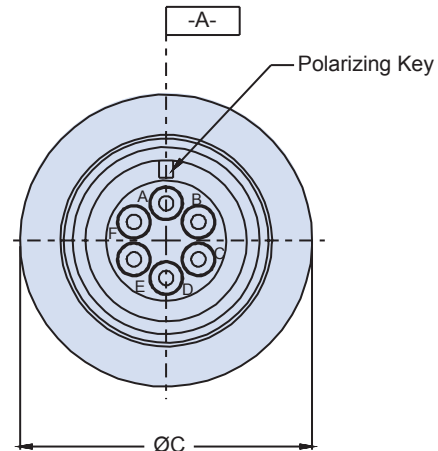
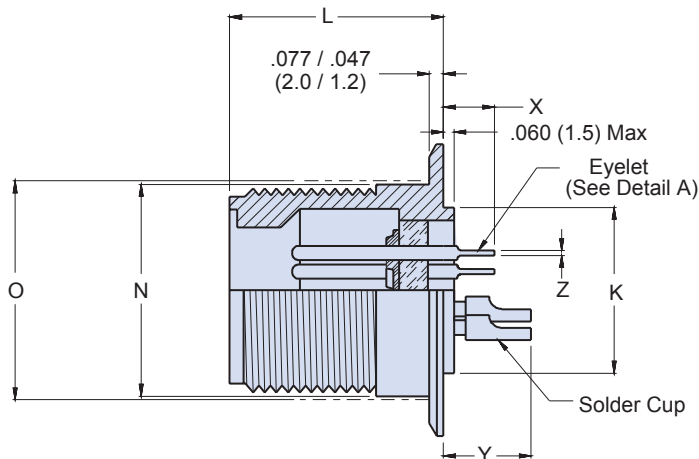
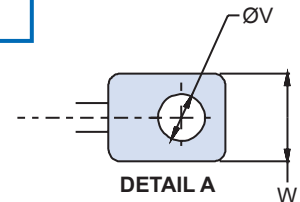
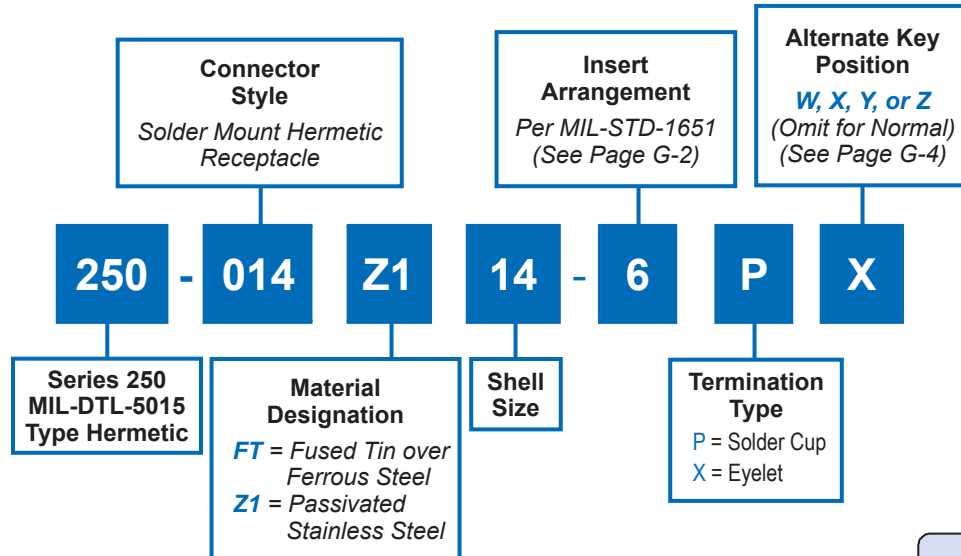


# 250-014 MIL-DTL-5015 Type Hermetic Threaded Coupling Solder Mount Receptacle Connector MS3143 Type



## APPLICATION NOTES

- To be identified with manufacturer's name, part number and date code, space permitting.
- Front panel mount square flange receptacle with through mounting holes.
- Material/Finish:  
Shell\* - Fused tin over ferrous steel; Z1 passivated stainless steel; Nickel Plated Stainless Steel  
Contacts - 52 Nickel alloy/gold plate  
Seals - Silicone elastomer/N.A.  
Insulation - Glass beads, NOIBN/N.A.
- Glenair 250-014 will mate with any MIL-DTL-5015 Series threaded coupling plug of same size and insert polarization.
- Performance:  
Hermeticity -  $<1 \times 10^{-6}$  cc/Sec @ 1 ATM differential.  
Dielectric Withstanding Voltage - See Table II.  
Insulation Resistance - 5000 Megohms min @ 500VDC.
- Metric Dimensions (mm) are indicated in parentheses.

\* Additional shell materials available, including titanium and Inconel®. Consult factory for ordering information.

Dimensions in Inches (millimeters) are subject to change without notice.

**250-014**  
**MIL-DTL-5015 Type Hermetic**  
**Threaded Coupling Solder Mount Receptacle Connector**  
**MS3143 Type**



MIL-DTL-5015  
Type

**TABLE I: CONTACT DIMENSIONS**

Contact Size	X Max	Y Max	Z Min	V Min	W Max
16	.219 (5.6)	.375 (9.5)	.020 (0.5)	.065 (1.7)	.115 (2.9)
12	.281 (7.1)	.516 (13.1)	.020 (0.5)	.096 (2.4)	.190 (4.8)
8	.700 (17.8)	.719 (18.3)	.040 (1.0)	.135 (3.4)	.330 (8.4)
4	.900 (22.9)	.980 (24.9)	.050 (1.3)	.220 (5.6)	.440 (11.2)
0	.900 (22.9)	.980 (24.9)	.090 (2.3)	.335 (8.5)	.605 (15.4)

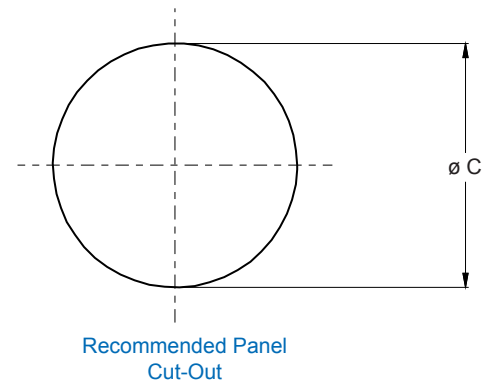
**HERMETIC LEAK RATE MOD CODES**

Designator	Required Leak Rate
-585A	1 x 10 <sup>-10</sup> cc Helium per second
-585B	1 x 10 <sup>-9</sup> cc Helium per second
-585C	1 x 10 <sup>-8</sup> cc Helium per second

Note: Contact sizes 4 and 0 are not available for "S" size shells (8S, 10S, 10SL, 12S, 14S, and 16S) and size 12 and 14

**TABLE II: SERVICE RATING**

Service Rating	Working Voltage (Volts RMS)
INST	200
A	500
D	900
E	1250
B	1750
C	3000



**G**

**TABLE III: CONNECTOR DIMENSIONS**

Size	C Dia ±.010 (0.25)	K Dia ±.010 (0.25)	L Max		N Dia +.000 -.062 (+.000 -.1.6)	O Dia (Ref) Mtg Hole
			Contact Size			
			16, 12 & 8	4 & 0		
8S	.750 (19.1)	.428 (10.9)	.730 (18.5)	-	.532 (13.5)	.562 (14.3)
10S	.875 (22.2)	.490 (12.4)	.730 (18.5)	-	.656 (16.7)	.688 (17.5)
10SL	.875 (22.2)	.490 (12.4)	.730 (18.5)	-	.656 (16.7)	.688 (17.5)
12S	1.000 (25.4)	.646 (16.4)	.730 (18.5)	-	.782 (19.9)	.812 (20.6)
12	1.000 (25.4)	.646 (16.4)	.915 (23.2)	-	.782 (19.9)	.812 (20.6)
14S	1.125 (28.6)	.709 (18.0)	.730 (18.5)	-	.906 (23.0)	.938 (23.8)
14	1.125 (28.6)	.709 (18.0)	.915 (23.2)	-	.906 (23.0)	.938 (23.8)
16S	1.250 (31.8)	.834 (21.2)	.730 (18.5)	1.040 (26.4)	1.032 (26.2)	1.062 (27.0)
16	1.250 (31.8)	.834 (21.2)	.834 (21.2)	1.040 (26.4)	1.032 (26.2)	1.062 (27.0)
18	1.375 (34.9)	.959 (24.4)	.915 (23.2)	1.040 (26.4)	1.156 (29.4)	1.188 (30.2)
20	1.500 (38.1)	1.146 (29.1)	.915 (23.2)	1.040 (26.4)	1.282 (32.6)	1.312 (33.3)
22	1.625 (41.3)	1.240 (31.5)	.915 (23.2)	1.040 (26.4)	1.406 (35.7)	1.438 (36.5)
24	1.750 (44.5)	1.365 (34.7)	.915 (23.2)	1.040 (26.4)	1.532 (38.9)	1.562 (39.7)
28	2.000 (50.8)	1.615 (41.0)	.915 (23.2)	1.040 (26.4)	1.782 (45.3)	1.812 (46.0)
32	2.250 (57.2)	1.865 (47.4)	.915 (23.2)	1.040 (26.4)	2.032 (51.6)	1.062 (27.0)
36	2.500 (63.5)	2.115 (53.7)	.915 (23.2)	1.040 (26.4)	2.282 (58.0)	2.500 (63.5)
40	2.750 (69.9)	2.365 (60.1)	.915 (23.2)	1.040 (26.4)	2.532 (64.3)	2.750 (69.9)
44	3.000 (76.2)	2.615 (66.4)	.915 (23.2)	1.040 (26.4)	2.782 (70.7)	3.000 (76.2)
48	3.250 (82.6)	2.865 (72.8)	.915 (23.2)	1.040 (26.4)	3.032 (77.0)	3.250 (82.6)

Dimensions in Inches (millimeters) are subject to change without notice.

## X-ON Electronics

Largest Supplier of Electrical and Electronic Components

*Click to view similar products for [Circular MIL Spec Connector](#) category:*

*Click to view products by [Glenair](#) manufacturer:*

Other Similar products are found below :

[89075GULPR](#) [0025-262-542](#) [0025-264-3014](#) [58-570121-04S](#) [0134-213-1208](#) [0134-213-2209](#) [0025-258-000](#) [60-042022-07P](#) [60-042022-19P](#)  
[60-042022-23P](#) [60-042217-10P](#) [0114-201-1278](#) [012-0467-000](#) [602GB06EG24-61SN](#) [0134-201-1207](#) [0134-213-1006](#) [6104-207-2302](#) [6104-](#)  
[208-1902](#) [61-168211-04P](#) [61-168617-10P](#) [6131-202-19149P](#) [6131-204-21149P](#) [6131-208-13149P](#) [6131-209-17149P](#) [6131-210-11149P](#) [6131-](#)  
[211-19149P](#) [6131-216-19149P](#) [6131-259-21149P](#) [6131-259-23149P](#) [6131-265-17149P](#) [6131-265-19149P](#) [CS3100A18-1P-472](#) [CS3100A-36-](#)  
[77P](#) [CS3101A-16-55P](#) [CS3102A-10SL-55P](#) [CS3102A-14S-58P](#) [CS3102A-32-17P](#) [CS3102A32-25S](#) [CS3102C18-4P-472](#)  
[CS3106A10SL3S004](#) [CS3106A-18-73S](#) [CS3108A-14S-52S](#) [CS3108A-28-51S](#) [6162-233-1277](#) [6162-324-1231](#) [M243082296Z](#)  
[M2884010AC1S1](#) [CT0-24-10SC](#) [CT0M20-7PCAU](#) [M28840/17AC1G3](#)