



Size 16 M29504/15 fiber optic socket terminus for MIL-PRF-28876 connectors

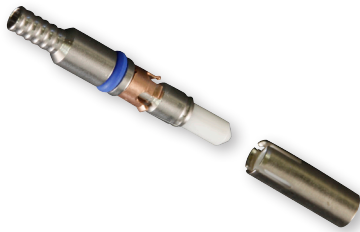


Table I: Part Number

Mil-Spec Part Number	ØA (Microns)	Fiber Type	Fiber Size Core/Cladding (Microns)	Commercial Part Number
M29504/15-4180C	125.0	Single Mode	9/125	181-040-1250C
Not listed in Mil-Spec	125.5	Single Mode	9/125	181-040-1255C
M29504/15-4181C	126.0	Single Mode	9/125	181-040-1260C
M29504/15-4171C	126.0	Multi Mode	50/125, 62.5/125	181-040-1260C
M29504/15-4172C	127.0	Multi Mode	50/125, 62.5/125	181-040-1270C
M29504/15-4175C	142.0	Multi Mode	100/140	181-040-1420C

Consult factory for additional sizes and QPL status.

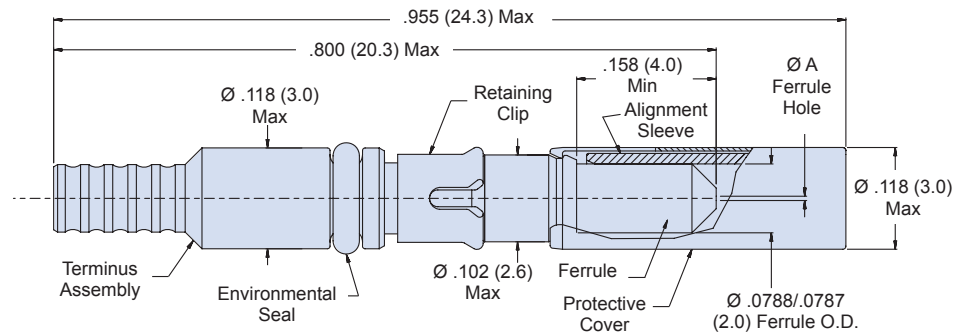
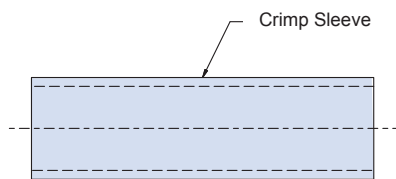


Table II: Tools and Accessories

Part Number	Description
265-008	Crimp Sleeve Ø 2.4mm Max Jacket (Mil-Spec Type)
265-010	Alignment Sleeve Assembly
182-012	Crimp Tool
182-013	Insertion Tool, Straight
182-014	Insertion Tool, 90°
182-015	Removal Tool
182-016	Alignment Sleeve Assembly Insertion/Removal Tool
182-035	Hand Polishing Tool

Material and Finish

Alignment Sleeve, Ferrule: Zirconia Ceramic
 Protective cover: Spring Alloy / Nickel
 Terminus Assembly: Stainless Steel / Passivate
 Retaining Clip: Spring Alloy
 Seal: Fluorosilicone
 Crimp Sleeve: Brass Alloy / Nickel

Notes

- Crimp sleeve is supplied with terminus assembly and may be ordered separately (see Table II). For terminus less crimp sleeve omit **C** from end of part number.
- Alignment sleeve assembly is supplied with terminus assembly (packaged loose) and may be ordered separately (see Table II). For terminus less alignment sleeve assembly, add **N** to end of part number (e.g. 181-040-1260CN).
- See Glenair GAP-036 for termination procedure and assembly tools.
- Dummy Terminus: Part Number 181-051 or M29504/3-4038.

X-ON Electronics

Largest Supplier of Electrical and Electronic Components

Click to view similar products for [Fibre Optic Connectors](#) category:

Click to view products by [Glenair](#) manufacturer:

Other Similar products are found below :

[0004700001](#) [6100-R](#) [6313](#) [F709722200](#) [F709730000](#) [F718183204](#) [F727403500](#) [F727752800](#) [8119](#) [9440F20-27S-190](#) [944-120-6001](#)
[9441F10SL-3S](#) [9444W28-21S](#) [9444W36-10S](#) [9446W20-16S](#) [953-101-5310-P](#) [954-101-57202B](#) [A0270169](#) [12-9122](#) [12-5702](#) [AX101713](#)
[AX102420](#) [AX103923](#) [AX104024](#) [AX104193](#) [AX104230](#) [AX104562](#) [AX105203-B25](#) [AX105205-S1](#) [EHSC2M](#) [17-300800](#) [181-011-126](#)
[181-011-S](#) [181-057-126](#) [NKSOPBUY](#) [20500002116](#) [2064996-1](#) [20800001065](#) [2170](#) [9132](#) [2612](#) [2620](#) [9291](#) [9440F16-10S](#) [9440F20-18S](#)
[9444W32-73S](#) [9446F16-10S-190](#) [953-106-50231](#) [953-120-5003](#) [955-120-5110](#)