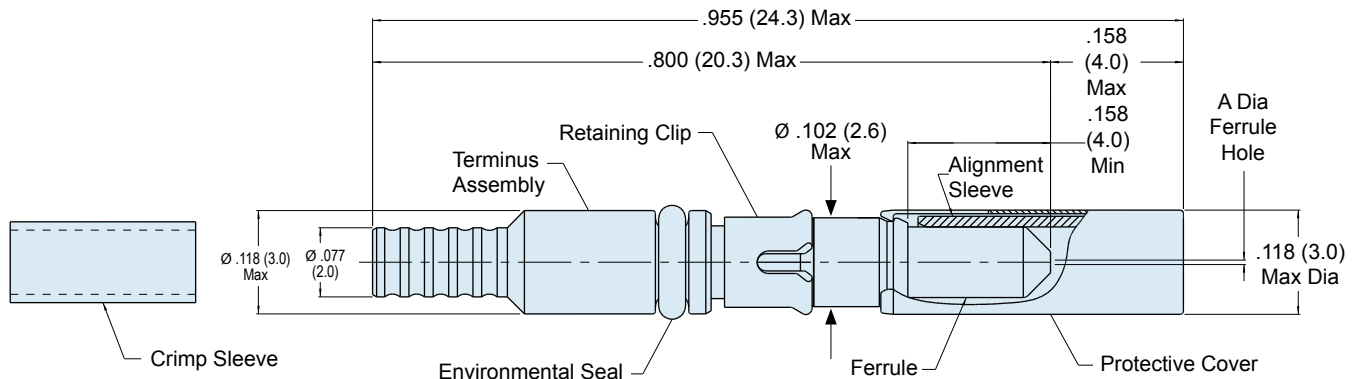


M28876

**Size 16 M29504/15 Fiber Optic Socket Terminus
for MIL-PRF-28876 Connectors**


The use of fiber optics in shipboard and ship-to-shore data transmissions is growing rapidly, and the tight-tolerance MIL-PRF-28876 interconnect has become the universal standard for Navy shipboard applications. Glenair's qualified offering—including QPL'd MIL-PRF-29504/14 and /15 contacts—delivers all the necessary performance from precise optical alignment, to environmental protection, corrosion resistance and weight reduction. The Glenair MIL-PRF-28876 terminus is specifically geared for upgrade and retrofit applications where extending system life-cycles and reducing cost of ownership are principle requirements.


Material and Finish

Alignment Sleeve, Ferrule: Zirconia Ceramic
 Protective cover: Spring Alloy / Nickel
 Terminus Assembly: Stainless Steel / Passivate
 Retaining Clip: Spring Alloy
 Seal: Fluorosilicone
 Crimp Sleeve: Brass Alloy / Nickel

Tools and Accessories/Assembly Notes

Dummy Terminus: Part Number 181-051
 Crimp sleeve is supplied with terminus assembly and may be ordered separately (see Table II). For terminus less crimp sleeve omit **C** from end of part number.
 Alignment sleeve assembly is supplied with terminus assembly (packaged loose) and may be ordered separately (see Table II).
 See Glenair GAP-036 for termination procedure and assembly tools.

181-040
M29504/15
Size 16 Fiber Optic Socket Terminus
For MIL-PRF-28876 Connectors



Part Number	ØA (Microns)	Fiber Type	Fiber Size Core/Cladding (Microns)	Mil-Spec Part Number (Reference)
181-040-1250C	125.0	Single Mode	9/125	M29504/15-4180C
181-040-1255C	125.5	Single Mode	9/125	N/A
181-040-1260C	126.0	Single Mode	9/125	M29504/15-4181C
		Multi Mode	50/125, 62.5/125	M29504/15-4171C
181-040-1270C	127.0	Multi Mode	50/125, 62.5/125	M29504/15-4172C
181-040-1420C	142.0	Multi Mode	100/140	M29504/15-4175C
Consult factory for additional sizes				



Accessories	
Part Number	Terminus Accessory
265-010	Alignment Sleeve Assembly
265-008	Crimp Sleeve Ø2.4mm Max Jacket (Mil-Spec type)

X-ON Electronics

Largest Supplier of Electrical and Electronic Components

Click to view similar products for [Fibre Optic Connectors](#) category:

Click to view products by [Glenair](#) manufacturer:

Other Similar products are found below :

[0004700001](#) [6100-R](#) [6313](#) [F709722200](#) [F709730000](#) [F718183204](#) [F727403500](#) [F727752800](#) [8119](#) [9440F20-27S-190](#) [944-120-6001](#)
[9441F10SL-3S](#) [9444W28-21S](#) [9444W36-10S](#) [9446W20-16S](#) [953-101-5310-P](#) [954-101-57202B](#) [A0270169](#) [12-9122](#) [12-5702](#) [AX101713](#)
[AX102420](#) [AX103923](#) [AX104024](#) [AX104193](#) [AX104230](#) [AX104562](#) [AX105203-B25](#) [AX105205-S1](#) [EHSC2M](#) [17-300800](#) [181-011-126](#)
[181-011-S](#) [181-057-126](#) [NKSOPBUY](#) [20500002116](#) [2064996-1](#) [20800001065](#) [2170](#) [9132](#) [2612](#) [2620](#) [9291](#) [9440F16-10S](#) [9440F20-18S](#)
[9444W32-73S](#) [9446F16-10S-190](#) [953-106-50231](#) [953-120-5003](#) [955-120-5110](#)