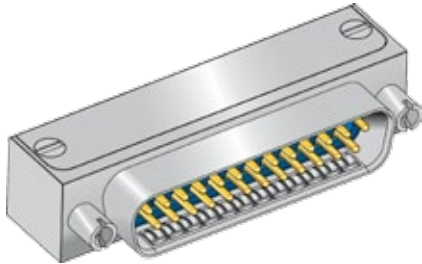


HiPer-D Standard and High-Density Connectors



280-028P right angle PC tail pin connectors with low profile mounting flange



Low profile right angle PC tail HiPer-D pin connectors feature rugged machined aluminum shell and stainless steel cover for improved EMI protection. Contacts are non-removable, size #20 or #22. Intermateable with standard M24308-type D-Subminiature connectors, the HiPer-D features a resilient face seal for environmental protection and optional ground springs for improved resistance to electromagnetic interference. Threaded holes on the bottom of the connector allow attachment to circuit board. Contacts are potted with epoxy. Glass-reinforced thermoset epoxy insulators, fluorosilicone face seal. 1000 VAC, 5 Amps (#22) or 7.5 Amps (#20).

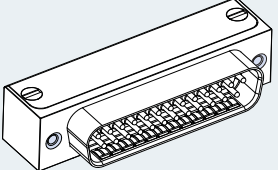
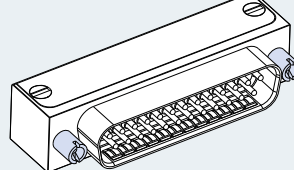
B

How To Order						
Sample Part Number	280-028P	4H62	ME	G	N	A
Basic Part Number	280-028P					
Shell Size-Contact Arrangement	Contact Arrangements are shown in the adjacent table					
Shell Finish	ME = Electroless Nickel (RoHS) MT = Nickel-PTFE (RoHS) JF = Cadmium with Yellow Chromate Z2 = Gold (RoHS) Z1 = Passivated Stainless Steel (RoHS)					
Ground Spring	G = Supplied with EMI Ground Spring N = No Ground Spring					
Mating Hardware	N = No Hardware (supplied with #4-40 tapped holes) P = #4-40 Female Jackposts					
PC Tail Length	A = .125 (3.18) Tail Length B = .250 (6.35) Tail Length					

Shell Size - Contact Arrangements		
Shell Size-Contact Arr.	Contact Size and Qty	
	#20	#22
Standard Density		
1S9	9	
2S15	15	
3S25	25	
4S37	37	
5S50	50	
High Density		
1H15		15
2H26		26
3H44		44
4H62		62
5H78		78
6H104		104

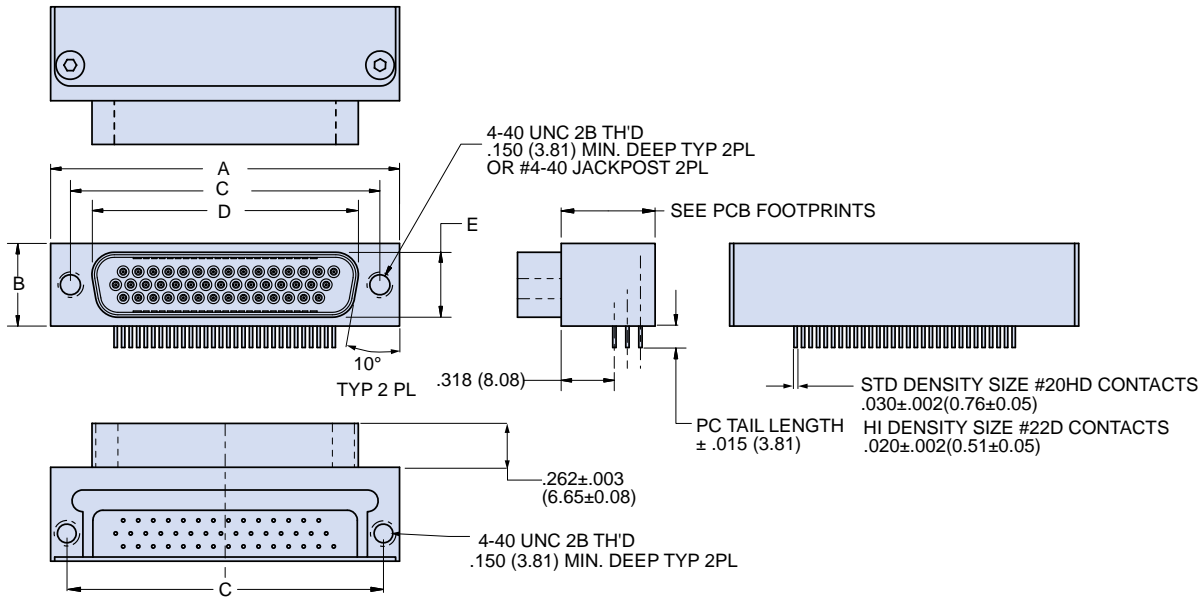
Materials and Finishes	
Shell	Aluminum alloy
Contacts	Copper alloy, 50 micron. gold plated
Insulators	Thermoset epoxy
Potting Compound	Epoxy
Interfacial Seal	Fluorosilicone rubber
Hardware	300 series stainless steel

Specifications	
Current Rating	#22 5 AMPS, #20 7.5 AMPS
Test Voltage	1000 VAC RMS
Insulation Resistance	5000 megohms minimum
Operating Temperature	-65° C. to +200° C.
Ingress Protection	IP 67
Shock	300 g.
Vibration, Random	43.92 g.

Mating Hardware	
<p>N</p> <p>No Hardware #4-40 Female Threads in Mounting Holes</p> 	<p>P</p> <p>#4-40 Female Jackposts</p> 
<p>Choose this option for rear panel mounting and order jackpost kit 289-016 separately.</p>	

280-028P right angle PC tail pin connectors with low profile mounting flange

280-028P DIMENSIONS



Shell Size	A		B		C Basic		D		E	
	in ± .015	mm ± 0.38	in ± .015	mm ± 0.38	in. ± .005	mm ± 0.13	in ± .005	mm ± 0.13	in ± .005	mm ± 0.13
1	1.213	30.81	.494	12.55	.984	24.99	.726	18.44	.389	9.88
2	1.541	39.14	.494	12.55	1.312	33.32	1.054	26.77	.389	9.88
3	2.088	53.04	.494	12.55	1.852	47.04	1.594	40.49	.389	9.88
4	2.729	69.32	.494	12.55	2.500	63.50	2.242	56.95	.389	9.88
5	2.635	66.93	.605	15.37	2.406	61.11	2.139	54.33	.501	12.73
6	2.729	69.32	.668	16.97	2.500	63.50	2.272	57.71	.563	14.30

NOTES

1. Contacts are factory-installed, non-removable and are potted with epoxy.
2. HiPer-D connectors are available with a wide variety of materials and finishes. See [About Series 28 HiPer-D Shell Plating Options](#) for additional choices. Glenair offers the industry's widest selection of plating and material choices with no setup charge, no minimum order quantity and no schedule impact.
3. For panel cutout dimensions, refer to [Panel Cutouts and Printed Circuit Board Footprints](#).
4. For printed circuit board mounting dimensions, refer to [Panel Cutouts and Printed Circuit Board Footprints](#).
5. HiPer-D connectors meet the requirements of MIL-DTL-24308 and are intermateable with standard M24308-type D-Subminiature connectors with corresponding contact arrangements and type.
6. Additional electrical, mechanical and environmental specifications are listed in [HiPer-D Product Specification](#).

X-ON Electronics

Largest Supplier of Electrical and Electronic Components

Click to view similar products for [D-Sub High Density Connectors](#) category:

Click to view products by [Glenair](#) manufacturer:

Other Similar products are found below :

[97-3250-11](#) [163A16809X](#) [163A17089X](#) [164A17199X](#) [K86X-AD-26S](#) [242A25680X](#) [L717HDB44POL2R210](#) [L717HDEH15POL2](#)
[L777HDE15P](#) [L77HDE15SC309](#) [163A16759X](#) [163A16839X](#) [163A16989X](#) [163A17079X](#) [164A17329X](#) [164A18219X](#) [241A16440X](#)
[241A16550X](#) [241A16680X](#) [241A20810X](#) [241A25740X](#) [CT25-44P](#) [MDBE15PE766](#) [L177HDE15SOL2RM23](#) [L177HRC62S](#)
[L177HRC62SVFM](#) [L177HRCG62S](#) [L717HDEG15POL2RM5](#) [L77HDA26SVF](#) [L77HDE15SD1CO](#) [L77HDEH15SOL2RM832](#) [DAMA-15S-](#)
[WS](#) [443895-3](#) [106698-1](#) [280-012K2C](#) [L177HRB44S](#) [164A17039X](#) [09562004701510](#) [241A17960X](#) [164A18269X](#) [280-019S1S9MEN](#)
[L777HDEG15P](#) [280-018P3S25MEGN](#) [206504-2](#) [2057140-1](#) [C115370-6002](#) [DFMA104SNMBFR172FR022](#) [HDC9F200E2S](#)
[L717HDAG26POL2RM8](#) [241A28180X](#)