

SERIES 28 HiPer-D® Accessories

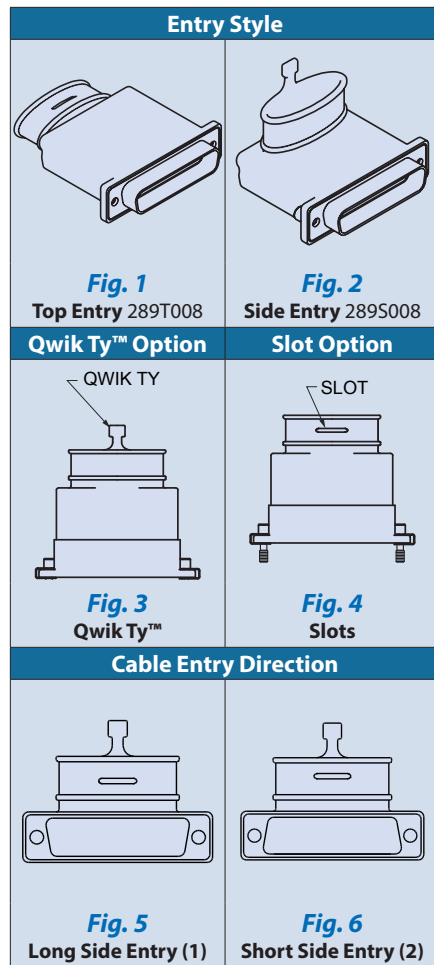


EMI Backshell, one-piece, environmental 289T008 top entry, 289S008 side entry



289T008
289S008

289-008 backshell provides watertight EMI protection for HiPer-D® connectors. Fits standard HiPer-D® pin and socket connectors (280-018P, 280-019S) and Combo HiPer-D® connectors (280-046P and 280-047S). Available with top entry or side entry. Terminate cable shield with optional Band-Master™ATS clamping band. Elliptical cable entry provides room for large wire bundles. Backshell consists of solid one piece housing, two stainless steel hex head jackscrews, two jackscrew retainer clips and silicone rubber sealing gasket. Aluminum or stainless steel. Use with Glenair Series 77 heat-shrink boot.



Ordering Information	
Sample Part Number	289S008 JF 6 A T S K 2
Basic Part Number	289T008 = Top Entry (Fig. 1) 289S008 = Side Entry (Fig. 2)
Finish	ME = Electroless Nickel MT = Nickel-PTFE JF = Cadmium with Yellow Chromate Z2 = Gold Z1 = Passivated Stainless Steel
Shell Size	1 = Shell Size 1 2 = Shell Size 2 3 = Shell Size 3 4 = Shell Size 4 5 = Shell Size 5 6 = Shell Size 6
Entry Size	A, B, C or D See Cable Entry Size Table Below
Qwik Ty™ Option	N = Supplied without Qwik Ty™ T = With Qwik Ty™ Strain Relief (Fig. 3)
Slot Option	N = Supplied without Slots S = With Slots for Terminating Individual Shields (Fig. 4)
EMI/RFI Band	N = Supplied without Band K = Supplied with Pre-Coiled Band (600-052-1)
Cable Entry Direction	Omit for 289T008. Applies only to 289S008. 1 = Cable Exit on Long Side of Shell Keystone (Fig. 5) 2 = Cable Exit on Short Side of Shell Keystone (Fig. 6)

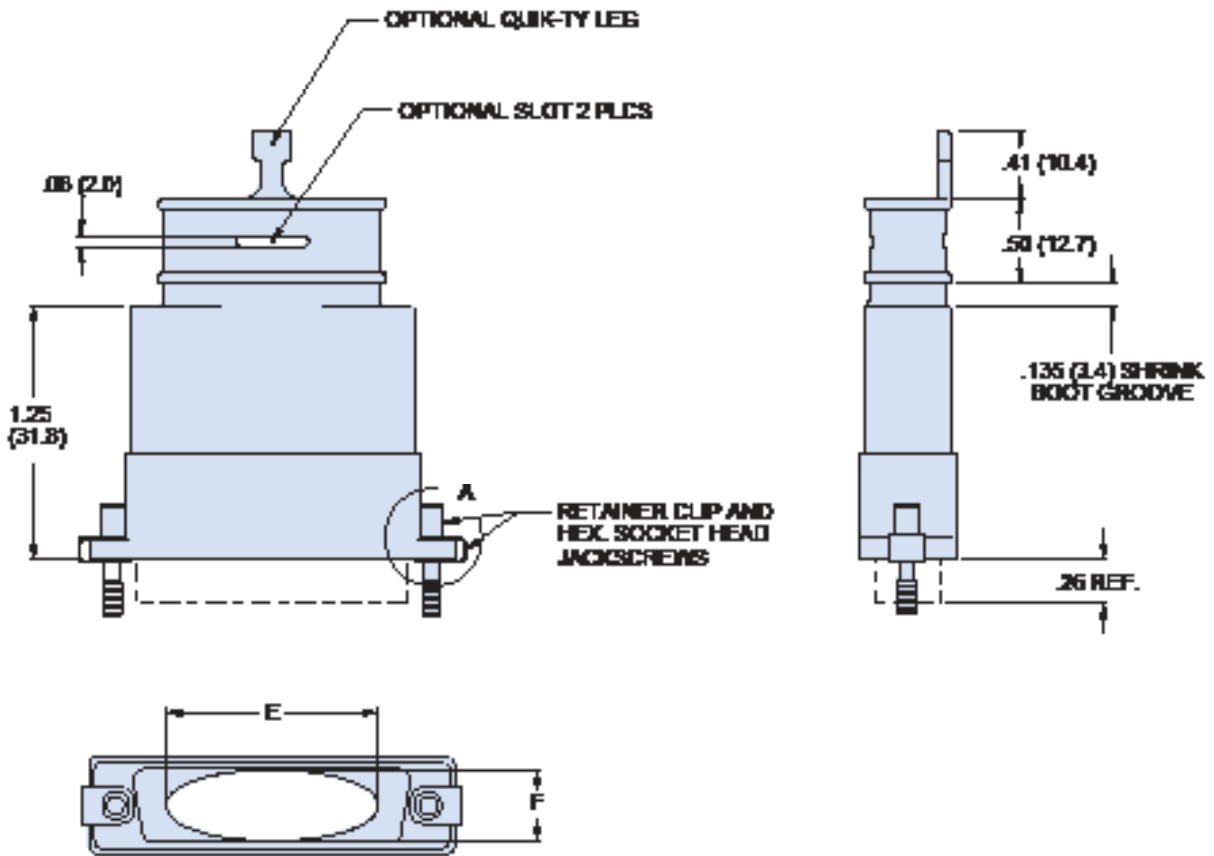
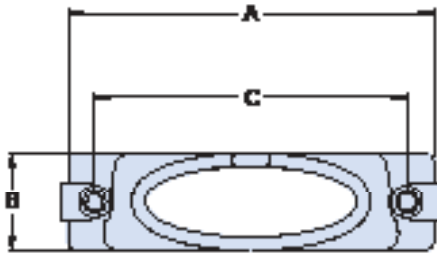
Shell Size	Cable Entry Size															
	Entry Size A				Entry Size B				Entry Size C				Entry Size D			
	E		F		E		F		E		F		E		F	
In.	mm	In.	mm	In.	mm	In.	mm	In.	mm	In.	mm	In.	mm	In.	mm	
1	.143	3.63	.143	3.63	.195	4.95	.195	4.95	.242	6.15	.242	6.15	.438	11.13	.375	9.53
2	.188	4.78	.188	4.78	.256	6.50	.256	6.50	.480	12.19	.375	9.53	.688	17.48	.375	9.53
3	.245	6.22	.245	6.22	.550	13.97	.375	9.53	.780	19.81	.375	9.53	1.125	28.58	.375	9.53
4	.291	7.39	.291	7.39	.800	20.32	.375	9.53	1.260	32.00	.375	9.53	1.813	46.05	.375	9.53
5	.326	8.28	.326	8.28	.770	19.56	.485	12.32	1.250	31.75	.485	12.32	1.750	44.45	.485	12.32
6	.376	9.55	.376	9.55	.863	21.92	.550	13.97	1.323	33.60	.550	13.97	1.875	47.63	.550	13.97

SERIES 28
HiPer-D® Accessories



EMI Backshell, one-piece, environmental
289T008 top entry

289T008 DIMENSIONS



Dimensions																						
Shell Size	A Max		B Max		C Basic		Entry Size A				Entry Size B				Entry Size C				Entry Size D			
							E		F		E		F		E		F		E		F	
	In.	mm	In.	mm	In.	mm	In.	mm	In.	mm	In.	mm	In.	mm	In.	mm	In.	mm	In.	mm	In.	mm
1	1.395	35.43	.624	15.85	.984	24.99	.143	3.63	.143	3.63	.195	4.95	.195	4.95	.242	6.15	.242	6.15	.438	11.13	.375	9.53
2	1.706	43.33	.624	15.85	1.312	33.32	.188	4.78	.188	4.78	.256	6.50	.256	6.50	.480	12.19	.375	9.53	.688	17.48	.375	9.53
3	2.265	57.53	.624	15.85	1.852	47.04	.245	6.22	.245	6.22	.550	13.97	.375	9.53	.780	19.81	.375	9.53	1.125	28.58	.375	9.53
4	2.900	73.66	.624	15.85	2.500	63.50	.291	7.39	.291	7.39	.800	20.32	.375	9.53	1.260	32.00	.375	9.53	1.813	46.05	.375	9.53
5	2.800	71.12	.750	19.05	2.406	61.11	.326	8.28	.326	8.28	.770	19.56	.485	12.32	1.250	31.75	.485	12.32	1.750	44.45	.485	12.32
6	2.900	73.66	.844	21.44	2.500	63.50	.376	9.55	.376	9.55	.863	21.92	.550	13.97	1.323	33.60	.550	13.97	1.875	47.63	.550	13.97

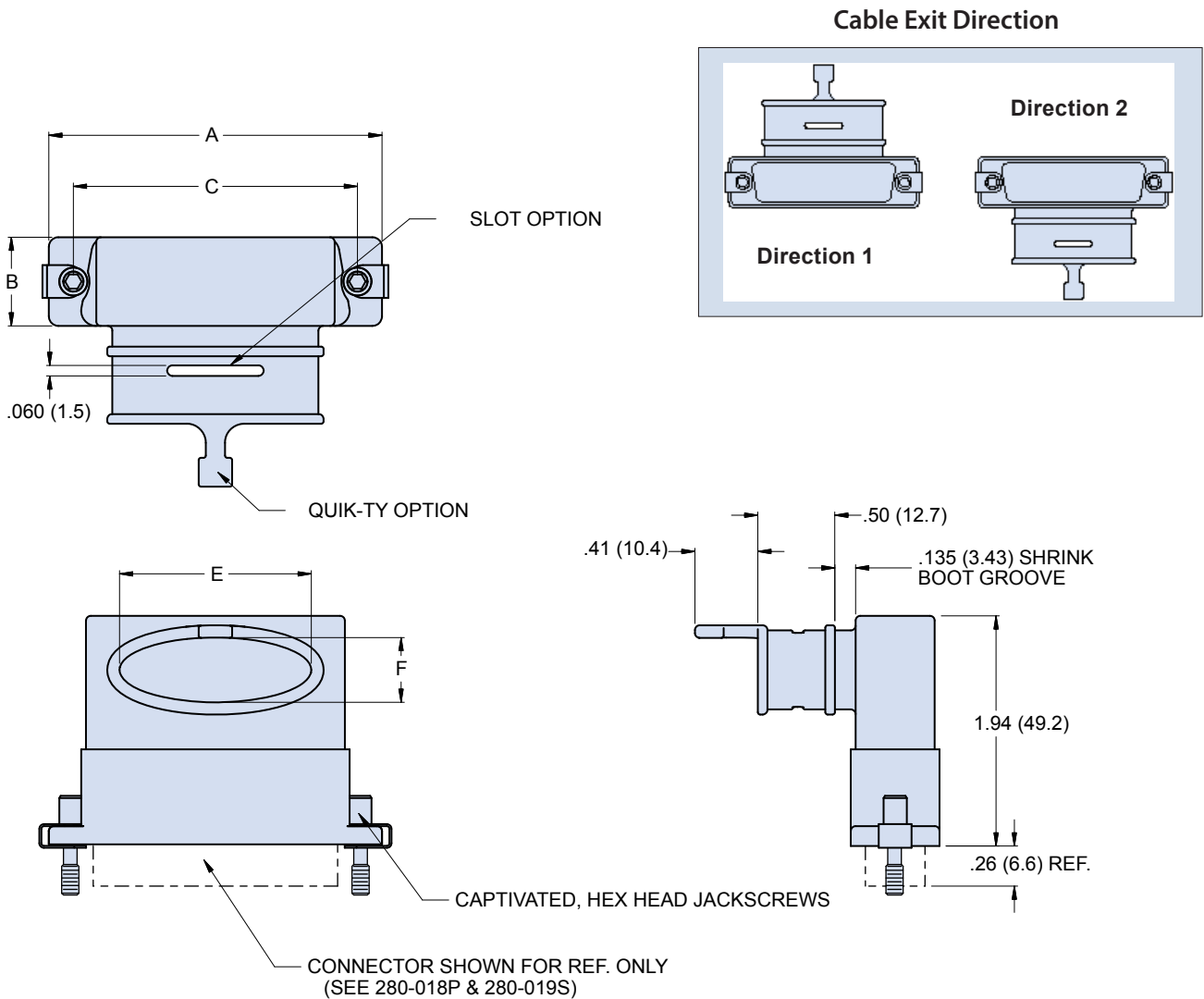


SERIES 28
HiPer-D® Accessories



EMI Backshell, one-piece, environmental
289S008 side entry

289S008 DIMENSIONS



F

Dimensions																						
Shell Size	A Max		B Max		C Basic		Entry Size A				Entry Size B		Entry Size C		Entry Size D							
	In.	mm	In.	mm	In.	mm	In.	mm	In.	mm	In.	mm	In.	mm	In.	mm	In.	mm	In.	mm		
1	1.395	35.43	.624	15.85	.984	24.99	.143	3.63	.143	3.63	.195	4.95	.195	4.95	.242	6.15	.242	6.15	.438	11.13	.375	9.53
2	1.706	43.33	.624	15.85	1.312	33.32	.188	4.78	.188	4.78	.256	6.50	.256	6.50	.480	12.19	.375	9.53	.688	17.48	.375	9.53
3	2.265	57.53	.624	15.85	1.852	47.04	.245	6.22	.245	6.22	.550	13.97	.375	9.53	.780	19.81	.375	9.53	1.125	28.58	.375	9.53
4	2.900	73.66	.624	15.85	2.500	63.50	.291	7.39	.291	7.39	.800	20.32	.375	9.53	1.260	32.00	.375	9.53	1.813	46.05	.375	9.53
5	2.800	71.12	.750	19.05	2.406	61.11	.326	8.28	.326	8.28	.770	19.56	.485	12.32	1.250	31.75	.485	12.32	1.750	44.45	.485	12.32
6	2.900	73.66	.844	21.44	2.500	63.50	.376	9.55	.376	9.55	.863	21.92	.550	13.97	1.323	33.60	.550	13.97	1.875	47.63	.550	13.97

X-ON Electronics

Largest Supplier of Electrical and Electronic Components

Click to view similar products for [D-Sub Backshells](#) category:

Click to view products by [Glenair](#) manufacturer:

Other Similar products are found below :

[600X51137X](#) [600X54009X](#) [66241-12A](#) [M85049/6-38N](#) [M85049/86-12N03](#) [M85049/90-13P03](#) [70.350.0636.4](#) [70.350.2435.1](#) [72.350.1035.2](#)
[72.352.2435.1](#) [73.359.4035.3](#) [829472-1](#) [PCS-E20W](#) [970-015-040R011](#) [971-009-030R121](#) [971-009-040R011](#) [971-015-040R011](#) [DPH-B-003](#)
[1437013-9](#) [1484402-8](#) [156-3025-EX](#) [16-500800](#) [165X02659X](#) [165X03399A](#) [165X10259X](#) [165X11359X](#) [165X11689X](#) [165X11759X](#)
[165X11889X](#) [165X11899X](#) [165X13019X](#) [165X13029X](#) [165X13169X](#) [165X13199X](#) [165X13239X](#) [165X13389X](#) [165X13489X](#)
[165X14219X](#) [165X14429X](#) [165X14449X](#) [165X17409X](#) [165X17439X](#) [165X17569X](#) [165X17599X](#) [165X17609X](#) [165X17979X](#) [L171373](#)
[971-025-030R121](#) [300X10989X](#) [165X02609X](#)