



SERIES 77

# Metal Shrink Boot Adapters



## 310-001 Standard Profile, O-Ring Sealed Shrink Boot Adapter with Rotatable Coupling

How to Order	
<b>Sample Part Number</b>	<b>310 F S 001 M 16 D T</b>
<b>Product Series</b>	<b>310</b>
<b>Connector Designator</b>	See Connector Designator Table
<b>Angular Function</b>	<b>S</b> = straight <b>H</b> = 45° <b>J</b> = 90°
<b>Basic Part Number</b>	<b>001</b>
<b>Finish Symbol</b>	<b>B</b> = cadmium plate, olive drab <b>C*</b> = anodize, black <b>G*</b> = hard coat, anodic <b>M</b> = electroless nickel <b>NF</b> = cadmium plate, olive drab over electroless nickel (1000 hour salt spray) *Non-conductive finish not suitable for EMI/RFI shielding applications
<b>Shell Size</b>	See dimensions table
<b>Drain Hole</b>	<b>D</b> = drain hole <b>Omit</b> for none
<b>Shrink Boot</b>	<b>T</b> = shrink boot <b>Omit</b> for none; see dimensions table for part number



Add "T" to Part Number for Standard Boot

Connector Designator	
<b>A</b>	MIL-DTL-5015, -26482, Series II and -83723 Series I and III
<b>D</b>	MIL-DTL-26482 Series I
<b>F</b>	MIL-DTL-38999 Series I, II
<b>G*</b>	MIL-DTL-28840
<b>H</b>	MIL-DTL-38999 Series III and IV
<b>J*</b>	MIL-DTL-81511 Series I, II, III & IV
<b>L</b>	LN29729
<b>S</b>	PATT 105, PATT 603, PATT 608
<b>ROTATABLE COUPLING</b>	

### NOTES

1. See Table I on page G-4 for connector designator interface dimensions
2. O-Rings not supplied with Connector Designators A and G or with drain hole option
3. For G connector designator dimension E and G will be increased .360 (9.14)
4. Standard Boot Kit includes a straight lipped, type 1 material boot without adhesive. For additional material adhesive options order separately from section B
5. Glenair 600 series backshell assembly tools are recommended for assembly and installation

\*For connector designators G and J, please consult the factory for 45° and 90° configurations

G



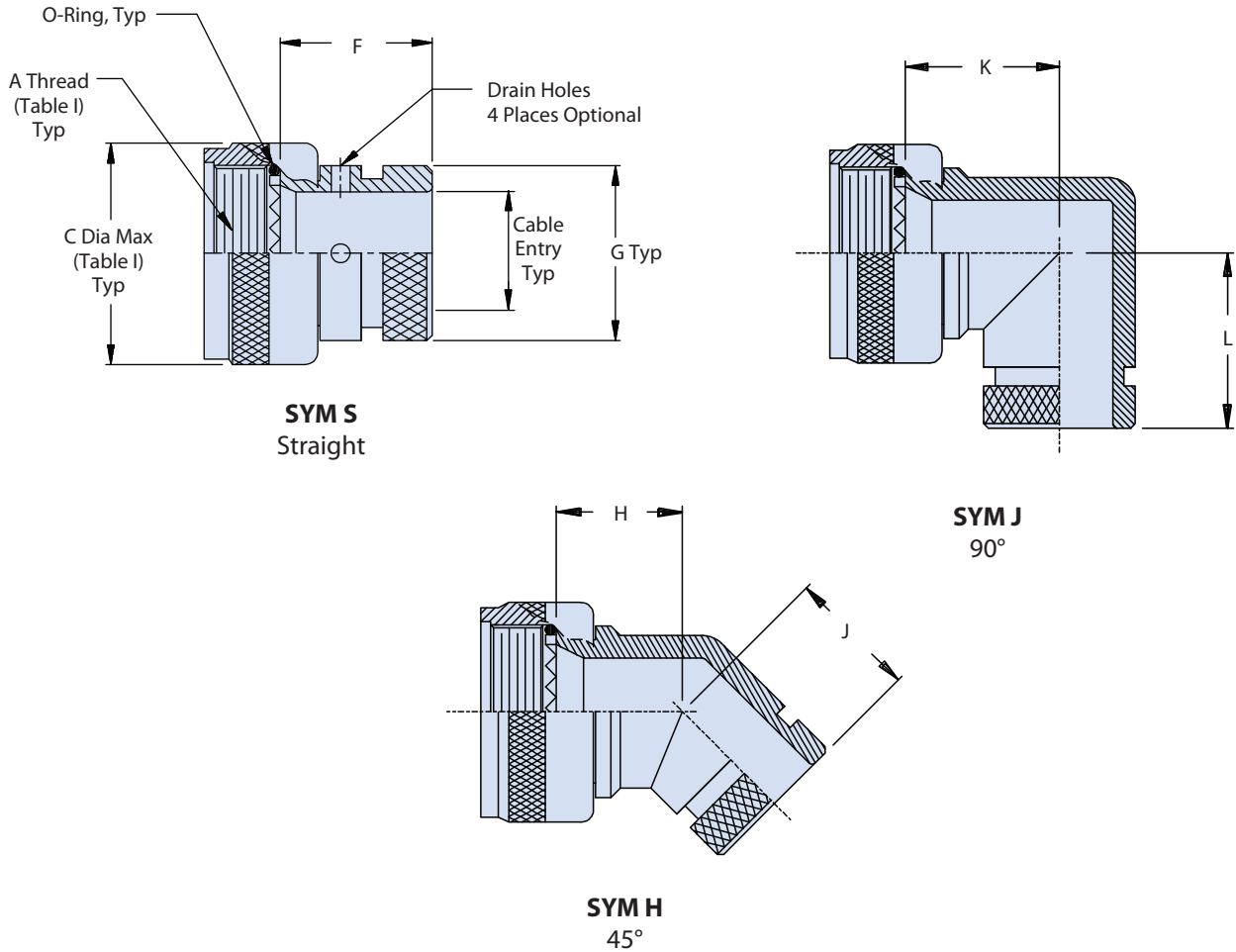
SERIES 77

# Metal Shrink Boot Adapters



## 310-001 Standard Profile, O-Ring Sealed Shrink Boot Adapter with Rotatable Coupling

See Pages G-4 and G-5 for Adapter Interface Dimensions



Dimensions									
Shell Size - Conn. Desig.		F	G	H	J	K	L	Cable Entry	Shrink Boot
A-F-J-L-S	G-H	Max	Max	Max	Max	Max	Max	Minimum	Part Number*
08	09	.940 (23.9)	.533 (13.5)	.639 (16.2)	.810 (20.6)	.750 (19.1)	.920 (23.4)	.250 (6.4)	770-003S102
10	11	.940 (23.9)	.605 (15.4)	.664 (16.9)	.840 (21.3)	.810 (20.6)	.980 (24.9)	.355 (9.0)	770-001S103
12	13	.940 (23.9)	.774 (19.7)	.688 (17.5)	.860 (21.8)	.870 (22.1)	1.040 (26.4)	.491 (12.5)	770-001S103
14	15	.940 (23.9)	.838 (21.3)	.705 (17.9)	.890 (22.6)	.920 (23.4)	1.110 (28.2)	.565 (14.4)	770-001S103
16	17	.940 (23.9)	.963 (24.5)	.732 (18.6)	.910 (23.1)	.980 (24.9)	1.170 (29.7)	.690 (17.5)	770-001S104
18	19	.940 (23.9)	1.042 (26.5)	.748 (19.0)	.920 (23.4)	1.020 (25.9)	1.190 (30.2)	.769 (19.5)	770-001S104
20	21	.940 (23.9)	1.217 (30.9)	.773 (19.6)	.940 (23.9)	1.080 (27.4)	1.250 (31.8)	.894 (22.7)	770-001S106
22	23	.940 (23.9)	1.355 (34.4)	.800 (20.3)	.980 (24.9)	1.140 (29.0)	1.330 (33.8)	1.019 (25.9)	770-001S107
24	25	.940 (23.9)	1.443 (36.7)	.823 (20.9)	1.010 (25.7)	1.200 (30.5)	1.400 (35.6)	1.134 (28.8)	770-001S107
28	29	.940 (23.9)	1.709 (43.4)	1.041 (26.4)	1.180 (30.0)	1.480 (37.6)	1.640 (41.7)	1.369 (34.8)	770-001S108
32	33	1.005 (25.5)	1.919 (48.7)	1.092 (27.7)	1.370 (34.8)	1.610 (40.9)	1.880 (47.8)	1.615 (41.0)	770-001S108

\*Equivalent boot may be supplied in lieu of stated part number.



SERIES 77

# Metal Shrink Boot Adapters



## 310-034 Standard Profile, O-Ring Sealed Shrink Boot Adapter with Direct Coupling

How to Order	
<b>Sample Part Number</b>	<b>310 D S 034 M 16 T</b>
<b>Product Series</b>	<b>310</b>
<b>Connector Designator</b>	See connector designator table
<b>Angular Function</b>	<b>S</b> = straight <b>H</b> = 45° <b>J</b> = 90°
<b>Basic Part Number</b>	<b>034</b>
<b>Finish Symbol</b>	<b>B</b> = cadmium plate, olive drab <b>C</b> = anodize, black <b>G</b> = hard coat, anodic <b>M</b> = electroless nickel <b>NF</b> = cadmium plate, olive drab over electroless nickel
<b>Shell Size</b>	See interface adapter dimensions table
<b>Shrink Boot</b>	<b>Omit</b> for none; see cable entry and shrink boot table



Add "T" to Part Number for Standard Boot

Connector Designator			
<b>A</b>	MIL-DTL-5015, -26482, Series II and -83723 Series I and III	<b>G</b>	MIL-DTL-28840
<b>B*</b>	MIL-DTL-5015	<b>H</b>	MIL-DTL-38999 Series III and IV
<b>C</b>	MIL-DTL-22992	<b>J</b>	MIL-DTL-81511 Series I, II, III & IV
<b>D</b>	MIL-DTL-26482	<b>K</b>	MIL-DTL-83723 Series II
<b>E</b>	MIL-DTL-26500	<b>L</b>	LN29729
<b>F</b>	MIL-DTL-38999 Series I, II	<b>S</b>	PATT 105, PATT 603, PATT 608
DIRECT COUPLING			

\*When using Designator B, refer to Pages F-6 and F-7

Interface Adapter Dimension			
Shell Size	J Max - Connector Designator		
	A-E-F-J-H-S	D-B-G-K	C
<b>08/09</b>	1.180 (30.0)	1.250 (31.8)	-
<b>10/11</b>	1.180 (30.0)	1.250 (31.8)	-
<b>12/13</b>	1.180 (30.0)	1.250 (31.8)	1.735(44.1)
<b>14/15</b>	1.180 (30.0)	1.250 (31.8)	1.915(48.6)
<b>16/17</b>	1.380 (35.0)	1.560 (39.6)	1.915(48.6)
<b>18/19</b>	1.380 (35.0)	1.560 (39.6)	1.915(48.6)
<b>20/21</b>	1.380 (35.0)	1.560 (39.6)	1.915(48.6)
<b>22/23</b>	1.380 (35.0)	1.560 (39.6)	1.915(48.6)
<b>24/25</b>	1.380 (35.0)	1.560 (39.6)	1.915(48.6)
<b>28/29</b>	1.610 (40.9)	1.560 (39.6)	1.915(48.6)
<b>32/33</b>	1.610 (40.9)	1.750 (44.5)	1.915(48.6)
<b>36</b>	1.610 (40.9)	1.750 (44.5)	1.915(48.6)
<b>40</b>	1.610 (40.9)	2.190 (55.6)	1.915(48.6)

Dimensions				
Shell Size	F Max	G Max	H Max	K Max
08/09	.639 (16.2)	.810 (20.6)	.750 (19.1)	.920 (23.4)
10/11	.664 (16.9)	.840 (21.3)	.810 (20.6)	.980 (24.9)
12/13	.688 (17.5)	.860 (21.8)	.870 (22.1)	1.040 (26.4)
14/15	.705 (17.9)	.890 (22.6)	.920 (23.4)	1.110 (28.2)
16/17	.732 (18.6)	.910 (23.1)	.980 (24.9)	1.170 (29.7)
18/19	.748 (19.0)	.920 (23.4)	1.020 (25.9)	1.190 (30.2)
20/21	.773 (19.6)	.940 (23.9)	1.080 (27.4)	1.250 (31.8)
22/23	.800 (20.3)	.980 (24.9)	1.140 (29.0)	1.330 (33.8)
24/25	.823 (20.9)	1.010 (25.7)	1.200 (30.5)	1.400 (35.6)
28	1.041 (26.4)	1.180 (30.0)	1.480 (37.6)	1.640 (41.7)
32	1.092 (27.7)	1.370 (34.8)	1.610 (40.9)	1.880 (47.8)
36	1.041 (26.4)	1.180 (30.0)	1.480 (37.6)	1.640 (41.7)
40	1.092 (27.7)	1.370 (34.8)	1.610 (40.9)	1.880 (47.8)

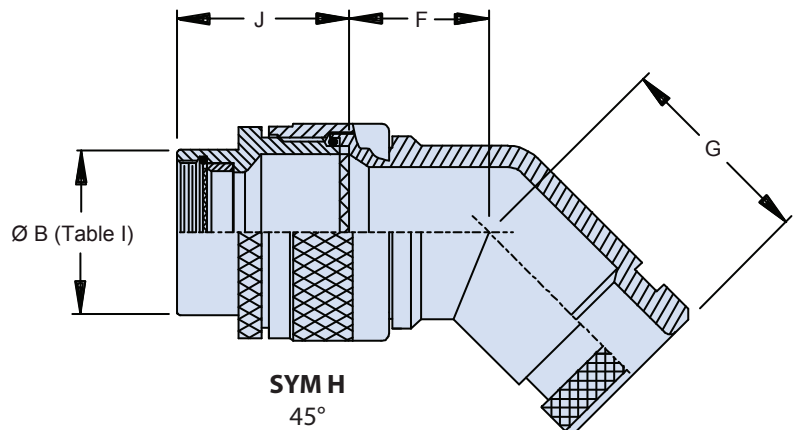
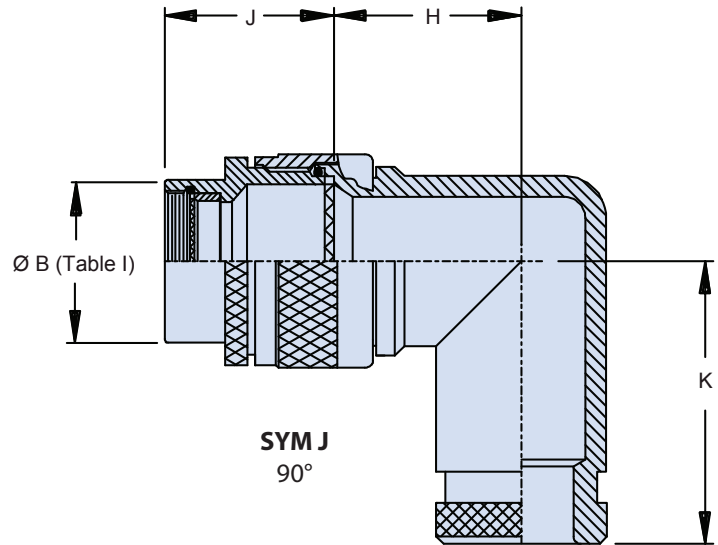
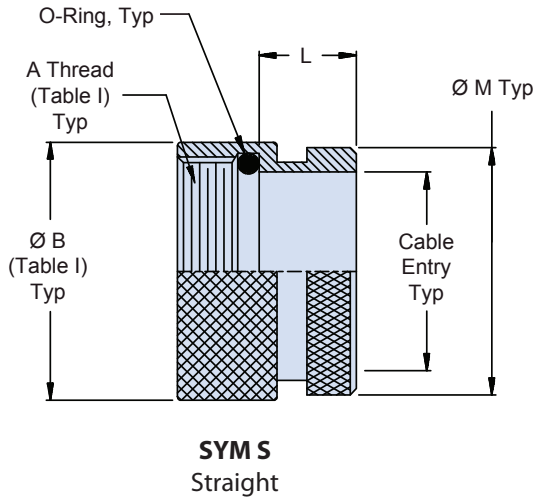


# SERIES 77 Metal Shrink Boot Adapters



## 310-034 Standard Profile, O-Ring Sealed Shrink Boot Adapter with Direct Coupling

See Pages G-4 and G-5 for Adapter Interface Dimensions



Cable Entry Dimensions and Shrink Boot Part Numbers				
Shell Size	L Max	M Max	Cable Entry Minimum	Shrink Boot Part Number
08	.500 (12.7)	.688 (17.5)	.250 (6.4)	770-001S103
10/11	.500 (12.7)	.803 (20.4)	.355 (9.0)	770-001S103
12/13	.500 (12.7)	.938 (23.8)	.491 (12.5)	770-001S104
14/15	.500 (12.7)	1.063 (27.0)	.565 (14.4)	770-001S106
16/17	.500 (12.7)	1.238 (31.4)	.690 (17.5)	770-001S106
18	.500 (12.7)	1.310 (33.3)	.769 (19.5)	770-001S107
20	.500 (12.7)	1.436 (36.5)	.844 (21.4)	770-001S107
22	.500 (12.7)	1.560 (39.6)	1.019 (25.9)	770-001S108
24	.500 (12.7)	1.686 (42.8)	1.134 (28.8)	770-001S108
28	.687 (17.4)	2.062 (52.4)	1.369 (34.8)	770-001S109
32	.687 (17.4)	2.312 (58.7)	1.615 (41.0)	770-001S108
36	.687 (17.4)	2.562 (65.1)	1.830 (46.5)	Consult Factory
40	.687 (17.4)	2.812 (71.4)	2.045 (51.9)	Consult Factory

### NOTES

1. See Table I on page G-4 for connector designator interface dimensions
2. When using Connector Designator B refer to pages G-6 and G-7 for part number development.
3. Standard Boot Kit includes a straight lipped, type 1 material boot without adhesive. For additional material adhesive options order separately from section B
4. Glenair 600 series backshell assembly tools are recommended for assembly and installation

## X-ON Electronics

Largest Supplier of Electrical and Electronic Components

*Click to view similar products for [Circular MIL Spec Strain Reliefs & Adapters](#) category:*

*Click to view products by [Glenair](#) manufacturer:*

Other Similar products are found below :

[896227-000](#) [899170S004](#) [0113-023-000](#) [6000-063-0022](#) [CS6624-000](#) [620AB038Z136](#) [620AS001Z108](#) [620AS038Z112](#) [620AS038Z120](#)  
[620AS038Z132](#) [620FB038NF08](#) [620HA038NF09](#) [620HA038NF11](#) [620HA038NF13](#) [620HA038NF25](#) [620HB049NF17](#) [620HS038NF11](#)  
[620HS038Z121](#) [620HS042XM19](#) [620HS042XM25](#) [620HS048B17](#) [620MS064NF12](#) [620MS065Z107](#) [620MS065ZNU06](#) [627-123NF21-11](#)  
[627-125NF23-6](#) [630J041M06H](#) [630J041M20H](#) [637S010NF0212H](#) [637S010NF0416A](#) [640830-000](#) [659943-000](#) [66241-10A](#) [CW0597-000](#)  
[CW0598-000](#) [CW0948-000](#) [CY0122-000](#) [M85049/41-6A W/B](#) [M85049/42-12DS](#) [M85049/47N8](#) [M85049/51-1-14S](#) [M85049/51S16S](#)  
[M85049/60-1N16](#) [M85049/60-2G12W](#) [M85049/69-11N](#) [CZ3661-000](#) [D02922-000](#) [70.360.1628.0](#) [703797-000](#) [705825-000](#)