



RJ45 AND USB 2.0 Contacts, Tools, and Accessories

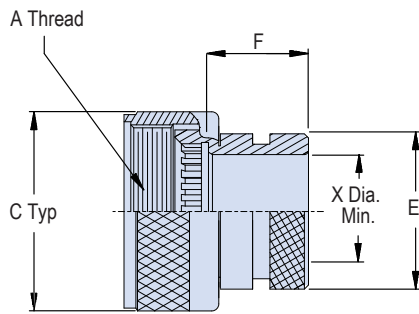


310-001 Shrink Boot Adapter with Rotatable Coupling for 28840 Type Connectors

MIL-DTL-28840 Type



How To Order						
Sample Part Number	310	G	S	001	M	17
Series/Basic Part No.	310 - Shrink Boot Adapter					
Connector Designator	G = 28840					
Angular Function	S = Straight For 45° and 90° versions contact factory					
Basic Part No.	001					
Finish	See Material and Finish Table					
Shell Size	15, 17, 19					



Materials and Finishes	
NF	Aluminum/ Cadmium olive drab
M	Aluminum/ Electroless nickel
MT	Aluminum/ Nickel PTFE
ZR	Aluminum/ Zinc-nickel black
Z1	Stainless Steel/ Passivate

Dimensions					
Shell Size	A Thread	C Typ	E Max	F Max	X Dia. Min.
15	M22 X 1 -- 6H	1.07 (27.2)	.838 (21.3)	.940 (23.9)	.565 (14.4)
17	M25 X 1 -- 6H	1.21 (30.7)	.963 (24.5)	.940 (23.9)	.690 (17.5)
19	M28 X 1 -- 6H	1.36 (34.5)	1.042 (26.5)	.940 (23.9)	.769 (19.5)

Recommended Shrink Boot*		
Shell Size	Shrink Boot with Low Temp Adhesive	Shrink Boot without Low Temp Adhesive
15	770-028S904 Lipless boot	770-028S904U Lipless boot
17	770-028S906	770-028S906U
19	770-028S906	770-028S906U

* **Shrink Boot MUST be ordered seperately.**
Shrink boot material: compound 2013 low temperature polyolefin.

X-ON Electronics

Largest Supplier of Electrical and Electronic Components

Click to view similar products for [Circular MIL Spec Strain Reliefs & Adapters](#) category:

Click to view products by [Glenair](#) manufacturer:

Other Similar products are found below :

[896227-000](#) [899170S004](#) [0113-023-000](#) [6000-063-0022](#) [CS6624-000](#) [620AB038Z136](#) [620AS001Z108](#) [620AS038Z112](#) [620AS038Z120](#)
[620AS038Z132](#) [620FB038NF08](#) [620HA038NF09](#) [620HA038NF11](#) [620HA038NF13](#) [620HA038NF25](#) [620HB049NF17](#) [620HS038NF11](#)
[620HS038Z121](#) [620HS042XM19](#) [620HS042XM25](#) [620HS048B17](#) [620MS064NF12](#) [620MS065Z107](#) [620MS065ZNU06](#) [627-123NF21-11](#)
[627-125NF23-6](#) [630J041M06H](#) [630J041M20H](#) [637S010NF0212H](#) [637S010NF0416A](#) [640830-000](#) [659943-000](#) [66241-10A](#) [CW0597-000](#)
[CW0598-000](#) [CW0948-000](#) [CY0122-000](#) [M85049/41-6A W/B](#) [M85049/42-12DS](#) [M85049/47N8](#) [M85049/51-1-14S](#) [M85049/51S16S](#)
[M85049/60-1N16](#) [M85049/60-2G12W](#) [M85049/69-11N](#) [CZ3661-000](#) [D02922-000](#) [70.360.1628.0](#) [703797-000](#) [705825-000](#)