

**CONNECTOR
DESIGNATORS**

A-F-D-G*

H-J*-L-S

* Conn. Desig. G & J -
Consult Factory For
45° and 90°

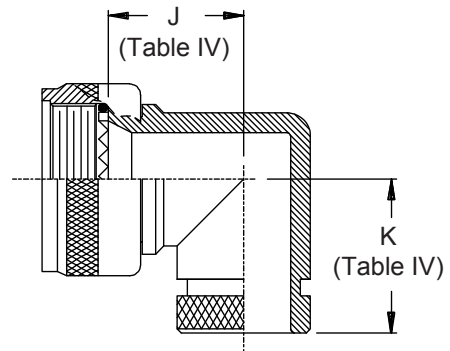
**ROTATABLE
COUPLING**



TABLE II - STANDARD FINISHES

GLENAIR	
SYMBOL	FINISH
B	Cadmium Plate, Olive Drab
C	Anodize, Black
G	Hard Coat, Anodic
M	Electroless Nickel
NF	Cadmium Plate, Olive Drab Over Electroless Nickel

See Back Cover for Complete Finish Information and Additional Finish Options



310-001
O-Ring Sealed Shrink Boot Adapter
Rotatable Coupling - Standard Profile



See inside back cover fold-out or pages 13 and 14 for unabridged Tables I and II.

TABLE III: CABLE ENTRY AND SHRINK BOOT

Shell Size - Conn. Desig.		Cable Entry				
A-F-J-L-S	G-H	E Max	F Max	Min.	Shrink Boot *	
08	09	.533 (13.5)	.940 (23.9)	.250 (6.4)	770-003S102	
10	11	.605 (15.4)	.940 (23.9)	.355 (9.0)	770-001S103	
12	13	.774 (19.7)	.940 (23.9)	.491 (12.5)	770-001S103	
14	15	.838 (21.3)	.940 (23.9)	.565 (14.4)	770-001S103	
16	17	.963 (24.5)	.940 (23.9)	.690 (17.5)	770-001S104	
18	19	1.042 (26.5)	.940 (23.9)	.769 (19.5)	770-001S104	
20	21	1.217 (30.9)	.940 (23.9)	.894 (22.7)	770-001S106	
22	23	1.355 (34.4)	.940 (23.9)	1.019 (25.9)	770-001S107	
24	25	1.443 (36.7)	.940 (23.9)	1.134 (28.8)	770-001S107	
28	29	1.709 (43.4)	.940 (23.9)	1.369 (34.8)	770-001S108	
32	33	1.919 (48.7)	1.005 (25.5)	1.615 (41.0)	770-001S108	

* Shrink Boot Supplied with "T" Option
 (see Part Number Development)

TABLE IV: DIMENSIONS

Shell Size - Conn. Desig.		G	H	J	K
A-F-L-S	H	Max	Max	Max	Max
08	09	.639 (16.2)	.810 (20.6)	.750 (19.1)	.920 (23.4)
10	11	.664 (16.9)	.840 (21.3)	.810 (20.6)	.980 (24.9)
12	13	.688 (17.5)	.860 (21.8)	.870 (22.1)	1.040 (26.4)
14	15	.705 (17.9)	.890 (22.6)	.920 (23.4)	1.110 (28.2)
16	17	.732 (18.6)	.910 (23.1)	.980 (24.9)	1.170 (29.7)
18	19	.748 (19.0)	.920 (23.4)	1.020 (25.9)	1.190 (30.2)
20	21	.773 (19.6)	.940 (23.9)	1.080 (27.4)	1.250 (31.8)
22	23	.800 (20.3)	.980 (24.9)	1.140 (29.0)	1.330 (33.8)
24	25	.823 (20.9)	1.010 (25.7)	1.200 (30.5)	1.400 (35.6)
28	29	1.041 (26.4)	1.180 (30.0)	1.480 (37.6)	1.640 (41.7)
32	33	1.092 (27.7)	1.370 (34.8)	1.610 (40.9)	1.880 (47.8)

-445

Now Available
with the "NESTOR"

**Glenair's Non-Detent,
Spring-Loaded, Self-
Locking Coupling.**

**Add "-445" to Specify
This AS85049 Style "N"
Coupling Interface.**

1. See Shrink Boot Reference Information (page 40).
2. Metric dimensions (mm) are indicated in parentheses.
3. O-Rings not supplied with drain hole option.
4. O-Rings not supplied with Connector Designators A and G.

X-ON Electronics

Largest Supplier of Electrical and Electronic Components

Click to view similar products for [Circular MIL Spec Strain Reliefs & Adapters](#) category:

Click to view products by [Glenair](#) manufacturer:

Other Similar products are found below :

[896227-000](#) [899170S004](#) [0113-023-000](#) [6000-063-0022](#) [CS6624-000](#) [620AB038Z136](#) [620AS001Z108](#) [620AS038Z112](#) [620AS038Z120](#)
[620AS038Z132](#) [620FB038NF08](#) [620HA038NF09](#) [620HA038NF11](#) [620HA038NF13](#) [620HA038NF25](#) [620HB049NF17](#) [620HS038NF11](#)
[620HS038Z121](#) [620HS042XM19](#) [620HS042XM25](#) [620HS048B17](#) [620MS064NF12](#) [620MS065Z107](#) [620MS065ZNU06](#) [627-123NF21-11](#)
[627-125NF23-6](#) [630J041M06H](#) [630J041M20H](#) [637S010NF0212H](#) [637S010NF0416A](#) [640830-000](#) [659943-000](#) [66241-10A](#) [CW0597-000](#)
[CW0598-000](#) [CW0948-000](#) [CY0122-000](#) [M85049/41-6A W/B](#) [M85049/42-12DS](#) [M85049/47N8](#) [M85049/51-1-14S](#) [M85049/51S16S](#)
[M85049/60-1N16](#) [M85049/60-2G12W](#) [M85049/69-11N](#) [CZ3661-000](#) [D02922-000](#) [70.360.1628.0](#) [703797-000](#) [705825-000](#)