

CONNECTOR DESIGNATORS
A-F-H-L-S
ROTATABLE COUPLING

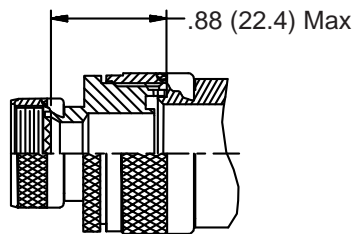
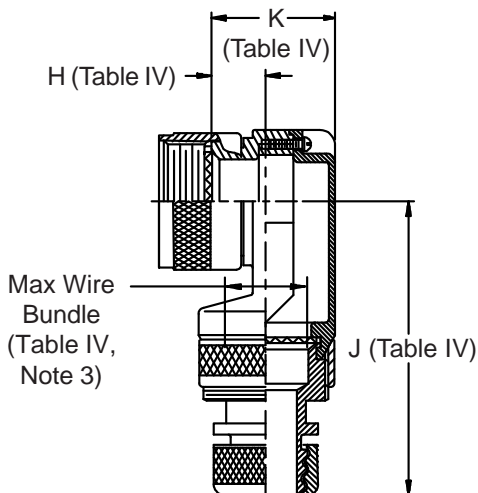
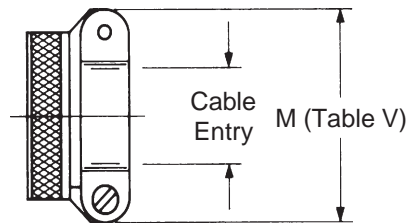
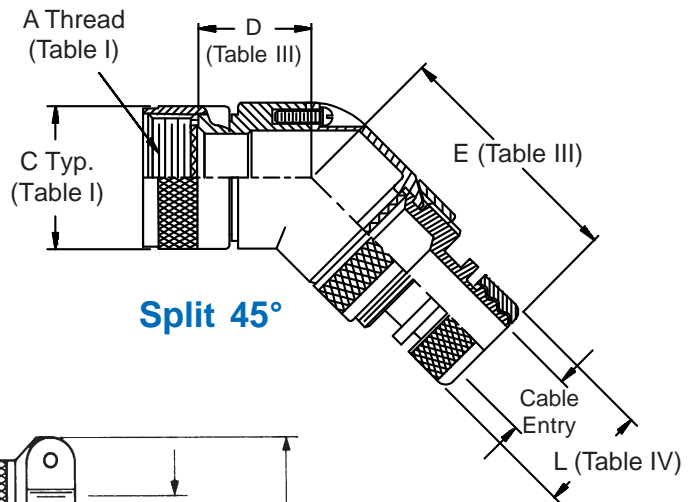
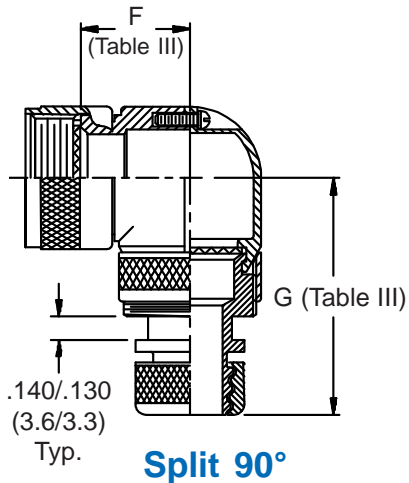
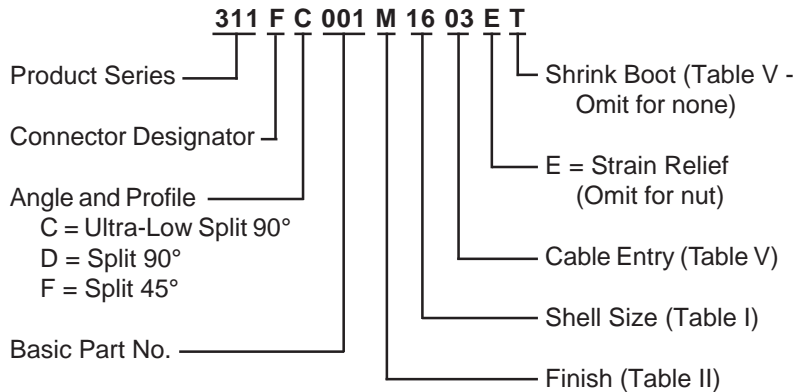


TABLE II - STANDARD FINISHES

| GLENAIR SYMBOL | FINISH |
|----------------|---|
| B | Cadmium Plate, Olive Drab |
| M | Electroless Nickel |
| NF | Cadmium Plate, Olive Drab Over Electroless Nickel |

See Inside Back Cover for Complete Finish Information and Additional Finish Options

311-001
Lamp-Base Thread EMI/RFI Shrink Boot Adapter
 with Strain Relief and Optional Shrink Boot
 Rotatable Coupling - Split Shell



See inside back cover fold-out or pages 13 and 14 for unabridged Tables I and II.

TABLE III: SPLIT 90° and SPLIT 45°

| SHELL SIZE | | D | E | F | G |
|------------|----|-------------|--------------|--------------|--------------|
| A-F-L-S | H | Max | Max | Max | Max |
| 08 | 09 | .440 (11.2) | 1.740 (44.2) | .680 (17.3) | 1.680 (42.7) |
| 10 | 11 | .500 (12.7) | 1.800 (45.7) | .750 (19.1) | 1.740 (44.2) |
| 12 | 13 | .560 (14.2) | 1.870 (47.5) | .810 (20.6) | 1.810 (46.0) |
| 14 | 15 | .620 (15.7) | 1.900 (48.3) | .870 (22.1) | 1.840 (46.7) |
| 16 | 17 | .680 (17.3) | 2.000 (50.8) | .930 (23.6) | 1.940 (49.3) |
| 18 | 19 | .750 (19.1) | 2.060 (52.3) | 1.000 (25.4) | 2.000 (50.8) |
| 20 | 21 | .820 (20.8) | 2.120 (53.8) | 1.060 (26.9) | 2.060 (52.3) |
| 22 | 23 | .880 (22.4) | 2.180 (55.4) | 1.120 (28.4) | 2.120 (53.8) |
| 24 | 25 | .940 (23.9) | 2.240 (56.9) | 1.180 (30.0) | 2.340 (59.4) |

TABLE IV: ULTRA LOW-PROFILE SPLIT 90°

| SHELL SIZE | | H | J | K | Max Wire |
|------------|----|-------------|--------------|--------------|-------------|
| A-F-L-S | H | Ref. | Max | Max | Bundle |
| 08 | 09 | .340 (8.6) | 2.020 (51.3) | .681 (17.3) | .250 (6.4) |
| 10 | 11 | .270 (6.9) | 2.180 (55.4) | .731 (18.6) | .375 (9.5) |
| 12 | 13 | .270 (6.9) | 2.180 (55.4) | .731 (18.6) | .375 (9.5) |
| 14 | 15 | .280 (7.1) | 2.250 (57.2) | .831 (21.1) | .500 (12.7) |
| 16 | 17 | .420 (10.7) | 2.300 (58.4) | .981 (24.9) | .625 (15.9) |
| 18 | 19 | .640 (16.3) | 2.330 (59.2) | 1.181 (30.0) | .625 (15.9) |
| 20 | 21 | .640 (16.3) | 2.330 (59.2) | 1.181 (30.0) | .625 (15.9) |
| 22 | 23 | .540 (13.7) | 2.480 (63.0) | 1.181 (30.0) | .750 (19.1) |
| 24 | 25 | .540 (13.7) | 2.480 (63.0) | 1.181 (30.0) | .750 (19.1) |

TABLE V: CABLE ENTRY AND SHRINK BOOT

| Dash No. | L Max | M Max | Cable Entry Max | Shrink Boot |
|----------|--------------|--------------|-----------------|-------------|
| 01 | .448 (11.4) | .781 (19.8) | .125 (3.2) | n/a |
| 02 | .515 (13.1) | .968 (24.6) | .250 (6.4) | 770-001S103 |
| 03 | .640 (16.3) | 1.046 (26.6) | .375 (9.5) | 770-001S103 |
| 04 | .765 (19.4) | 1.156 (29.4) | .500 (12.7) | 770-001S104 |
| 05 | .920 (23.4) | 1.219 (31.0) | .625 (15.9) | 770-001S104 |
| 06 | 1.015 (25.8) | 1.343 (34.1) | .750 (19.1) | 770-001S105 |
| 07 | 1.140 (29.0) | 1.469 (37.3) | .875 (22.2) | 770-001S106 |
| 08 | 1.265 (32.1) | 1.594 (40.5) | 1.000 (25.4) | 770-001S106 |
| 09 | 1.432 (36.4) | 1.719 (43.7) | 1.125 (28.6) | 770-001S107 |
| 10 | 1.515 (38.5) | 1.844 (46.8) | 1.250 (31.8) | 770-001S107 |

1. Cable Entry is defined as the accommodation range for the wire bundle or cable. Dimensions shown are not intended for inspection criteria.
2. Metric dimensions (mm) are indicated in parentheses.
3. When maximum entry (page 21) is exceeded, Style 2 will be supplied (not available for Function C). Dimensions D, E, F, & G will not apply. Please consult factory.
4. See Shrink Boot Reference Information (pages 40 and 41).
5. Angular function "C", low-profile split elbow, not available with "S" connector designator.

X-ON Electronics

Largest Supplier of Electrical and Electronic Components

Click to view similar products for [Circular MIL Spec Strain Reliefs & Adapters](#) category:

Click to view products by [Glenair](#) manufacturer:

Other Similar products are found below :

[896227-000](#) [899170S004](#) [0113-023-000](#) [6000-063-0022](#) [CS6624-000](#) [620AB038Z136](#) [620AS001Z108](#) [620AS038Z112](#) [620AS038Z120](#)
[620AS038Z132](#) [620FB038NF08](#) [620HA038NF09](#) [620HA038NF11](#) [620HA038NF13](#) [620HA038NF25](#) [620HB049NF17](#) [620HS038NF11](#)
[620HS038Z121](#) [620HS042XM19](#) [620HS042XM25](#) [620HS048B17](#) [620MS064NF12](#) [620MS065Z107](#) [620MS065ZNU06](#) [627-123NF21-11](#)
[627-125NF23-6](#) [630J041M06H](#) [630J041M20H](#) [637S010NF0212H](#) [637S010NF0416A](#) [640830-000](#) [659943-000](#) [66241-10A](#) [CW0597-000](#)
[CW0598-000](#) [CW0948-000](#) [CY0122-000](#) [M85049/41-6A W/B](#) [M85049/42-12DS](#) [M85049/47N8](#) [M85049/51-1-14S](#) [M85049/51S16S](#)
[M85049/60-1N16](#) [M85049/60-2G12W](#) [M85049/69-11N](#) [CZ3661-000](#) [D02922-000](#) [70.360.1628.0](#) [703797-000](#) [705825-000](#)