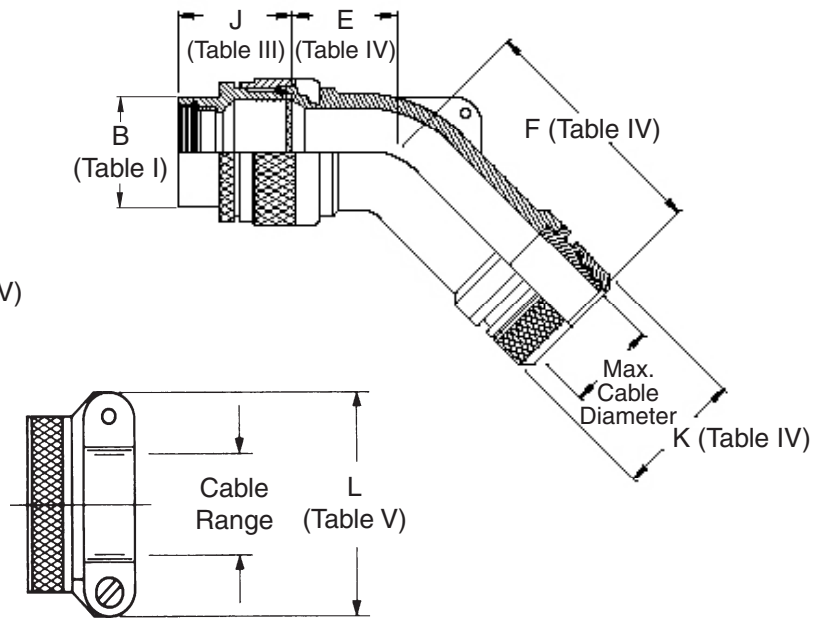
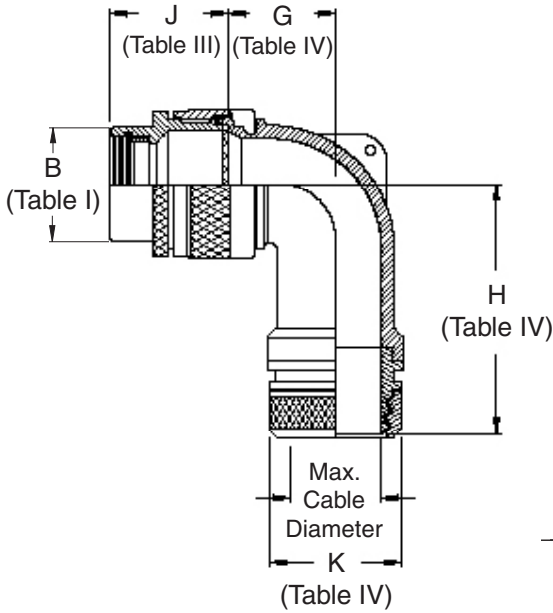
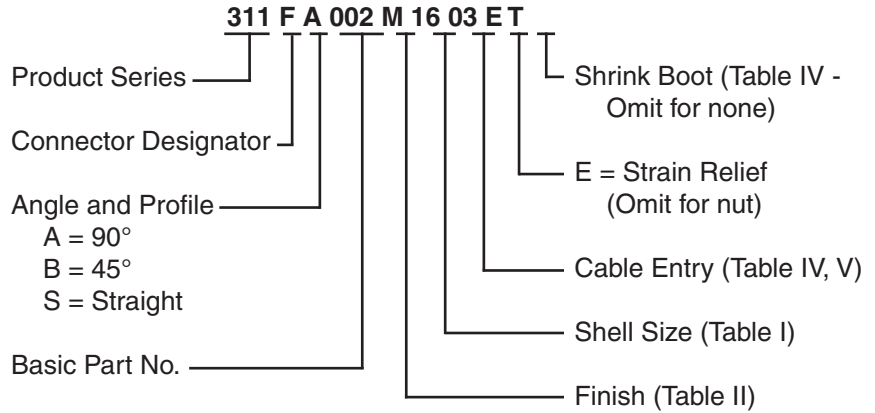


**CONNECTOR
 DESIGNATORS**

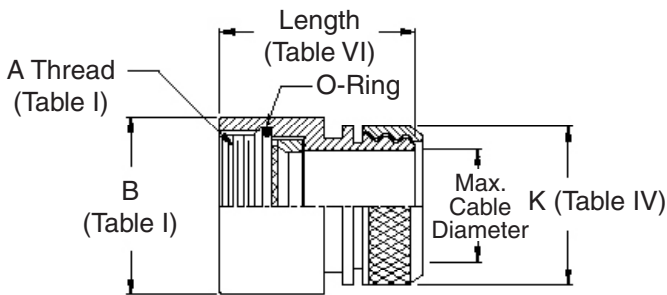
A-B*-C-D-E-F
G-H-J-K-L-S

* Conn. Desig. B See Note 5

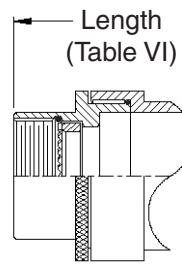
**DIRECT
 COUPLING**



**STYLE E
 STRAIN RELIEF**



STYLE 1



**STYLE 2
 (STRAIGHT
 See Note 4)**

TABLE II - STANDARD FINISHES	
GLENAIR SYMBOL	FINISH
B	Cadmium Plate, Olive Drab
M	Electroless Nickel
NF	Cadmium Plate, Olive Drab Over Electroless Nickel

See Inside Back Cover for Complete Finish Information and Additional Finish Options

311-002

Lamp-Base Thread EMI/RFI Shrink Boot Adapter with Strain Relief and Optional Shrink Boot Direct Coupling - Low Profile



See inside back cover fold-out
or pages 13 and 14
for unabridged Tables I and II.

1. Cable Entry or range is defined as the accommodation range for the wire bundle or cable. Dimensions shown are not intended for inspection criteria.
2. See Shrink Boot Reference Information (page 40).
3. Metric dimensions (mm) are indicated in parentheses.
4. When maximum entry (page 21) is exceeded, Style 2 will be supplied. (Function S only)
5. When using Connector Designator B refer to pages 18 and 19 for part number development.
6. Shrink boot is not applicable for strain relief option. Please consult factory.

TABLE III: FRONT ADAPTER				
Shell Size	J Max - Conn. Designator			
	A-E-F			C
	J-H-L-S	D-B-G-K		
08/09	1.180 (30.0)	1.250 (31.8)		
10/11	1.180 (30.0)	1.250 (31.8)		
12/13	1.180 (30.0)	1.250 (31.8)	1.735(44.1)	
14/15	1.180 (30.0)	1.250 (31.8)	1.915(48.6)	
16/17	1.380 (35.0)	1.560 (39.6)	1.915(48.6)	
18/19	1.380 (35.0)	1.560 (39.6)	1.915(48.6)	
20/21	1.380 (35.0)	1.560 (39.6)	1.915(48.6)	
22/23	1.380 (35.0)	1.560 (39.6)	1.915(48.6)	
24/25	1.380 (35.0)	1.560 (39.6)	1.915(48.6)	
28/29	1.610 (40.9)	1.560 (39.6)	1.915(48.6)	
32/33	1.610 (40.9)	1.750 (44.5)	1.915(48.6)	
36	1.610 (40.9)	1.750 (44.5)	1.915(48.6)	
40	1.610 (40.9)	2.190 (55.6)	1.915(48.6)	

TABLE IV: CABLE ENTRY/DIMENSIONS									
Dash No.	E Max	F Max	G Max	H Max	K Max	Max Cable Diameter		Shrink Boot	
01	.457 (11.6)	1.630 (41.4)	.500 (12.7)	1.640 (41.7)	.448 (11.4)	.125 (3.2)		770-003S111	
02	.457 (11.6)	1.630 (41.4)	.500 (12.7)	1.640 (41.7)	.515 (13.1)	.250 (6.4)		770-003S112	
03	.520 (13.2)	1.690 (42.9)	.595 (15.1)	1.760 (44.7)	.640 (16.3)	.375 (9.5)		770-001S103	
04	.582 (14.8)	1.750 (44.5)	.610 (15.5)	1.780 (45.2)	.765 (19.4)	.500 (12.7)		770-001S103	
05	.645 (16.4)	1.840 (46.7)	.700 (17.8)	1.850 (47.0)	.920 (23.4)	.625 (15.9)		770-001S104	
06	.738 (18.7)	1.950 (49.5)	.885 (22.5)	1.940 (49.3)	1.015 (25.8)	.750 (19.1)		770-001S104	
07	.926 (23.5)	2.140 (54.4)	.975 (24.8)	2.110 (53.6)	1.140 (29.0)	.875 (22.2)		770-001S105	
08	.926 (23.5)	2.290 (58.2)	.975 (24.8)	2.220 (56.4)	1.265 (32.1)	1.000 (25.4)		770-001S106	
09	1.020 (25.9)	2.290 (58.2)	1.125 (28.6)	2.220 (56.4)	1.432 (36.4)	1.125 (28.6)		770-001S107	
10	1.020 (25.9)	2.290 (58.2)	1.125 (28.6)	2.220 (56.4)	1.515 (38.5)	1.250 (31.8)		770-001S107	
11	1.145 (29.1)	2.340 (59.4)	1.225 (31.1)	2.390 (60.7)	1.640 (41.7)	1.375 (34.9)		770-001S107	
12	1.207 (30.7)	2.440 (62.0)	1.575 (40.0)	2.640 (67.1)	1.765 (44.8)	1.500 (38.1)		770-001S107	
13	1.238 (31.4)	2.530 (64.3)	1.775 (45.1)	2.640 (67.1)	2.015 (51.2)	1.750 (44.5)		770-001S108	

TABLE V: CABLE ENTRY/DIMENSIONS				
Dash No.	L Max	Cable Range		
		Min	Max	
01	.781 (19.8)	.062 (1.6)	.125 (3.2)	
02	.968 (24.6)	.125 (3.2)	.250 (6.4)	
03	1.046 (26.6)	.250 (6.4)	.375 (9.5)	
04	1.156 (29.4)	.312 (7.9)	.500 (12.7)	
05	1.219 (31.0)	.437 (11.1)	.625 (15.9)	
06	1.343 (34.1)	.562 (14.3)	.750 (19.1)	
07	1.469 (37.3)	.687 (17.4)	.875 (22.2)	
08	1.594 (40.5)	.812 (20.6)	1.000 (25.4)	
09	1.719 (43.7)	.937 (23.8)	1.125 (28.6)	
10	1.844 (46.8)	1.062 (27.0)	1.250 (31.8)	

TABLE VI: LENGTH			
Conn. Desig.	Length (Max)		
	Style 1	Style 2	
A	1.750 (44.5)	2.000 (50.8)	
B	1.630 (41.4)	1.880 (47.8)	
C	2.130 (54.1)	2.380 (60.5)	
D	1.630 (41.4)	1.880 (47.8)	
E	1.250 (31.8)	1.500 (38.1)	
F	1.250 (31.8)	1.500 (38.1)	
G	1.750 (44.5)	2.000 (50.8)	
H	1.750 (44.5)	2.000 (50.8)	
J	1.250 (31.8)	1.500 (38.1)	
K	2.130 (54.1)	2.380 (60.5)	
L	1.380 (35.1)	1.630 (41.4)	
S	1.750 (44.5)	2.000 (50.8)	

X-ON Electronics

Largest Supplier of Electrical and Electronic Components

Click to view similar products for [Circular MIL Spec Strain Reliefs & Adapters](#) category:

Click to view products by [Glenair](#) manufacturer:

Other Similar products are found below :

[896227-000](#) [899170S004](#) [0113-023-000](#) [6000-063-0022](#) [CS6624-000](#) [620AB038Z136](#) [620AS001Z108](#) [620AS038Z112](#) [620AS038Z120](#)
[620AS038Z132](#) [620FB038NF08](#) [620HA038NF09](#) [620HA038NF11](#) [620HA038NF13](#) [620HA038NF25](#) [620HB049NF17](#) [620HS038NF11](#)
[620HS038Z121](#) [620HS042XM19](#) [620HS042XM25](#) [620HS048B17](#) [620MS064NF12](#) [620MS065Z107](#) [620MS065ZNU06](#) [627-123NF21-11](#)
[627-125NF23-6](#) [630J041M06H](#) [630J041M20H](#) [637S010NF0212H](#) [637S010NF0416A](#) [640830-000](#) [659943-000](#) [66241-10A](#) [CW0597-000](#)
[CW0598-000](#) [CW0948-000](#) [CY0122-000](#) [M85049/41-6A W/B](#) [M85049/42-12DS](#) [M85049/47N8](#) [M85049/51-1-14S](#) [M85049/51S16S](#)
[M85049/60-1N16](#) [M85049/60-2G12W](#) [M85049/69-11N](#) [CZ3661-000](#) [D02922-000](#) [70.360.1628.0](#) [703797-000](#) [705825-000](#)