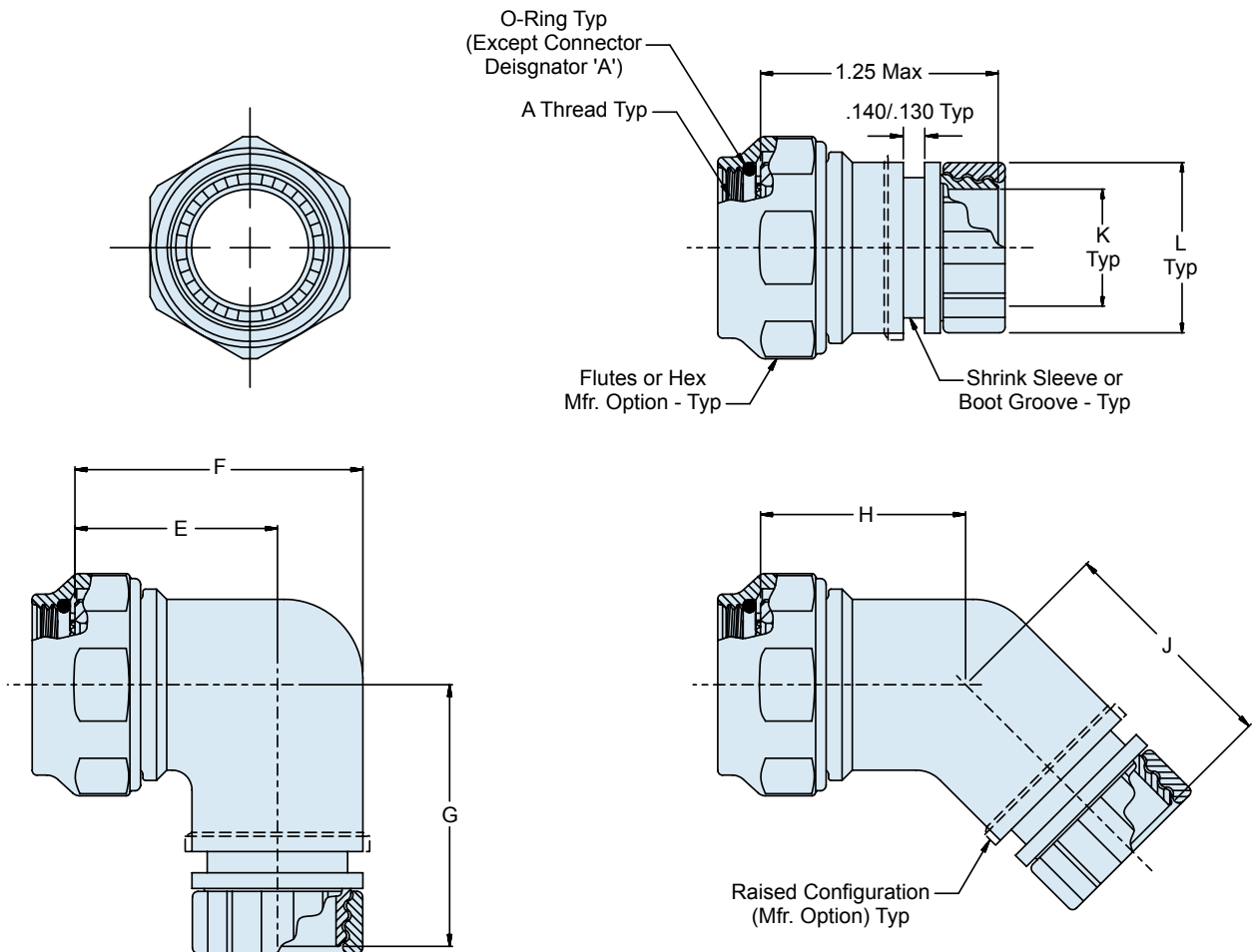
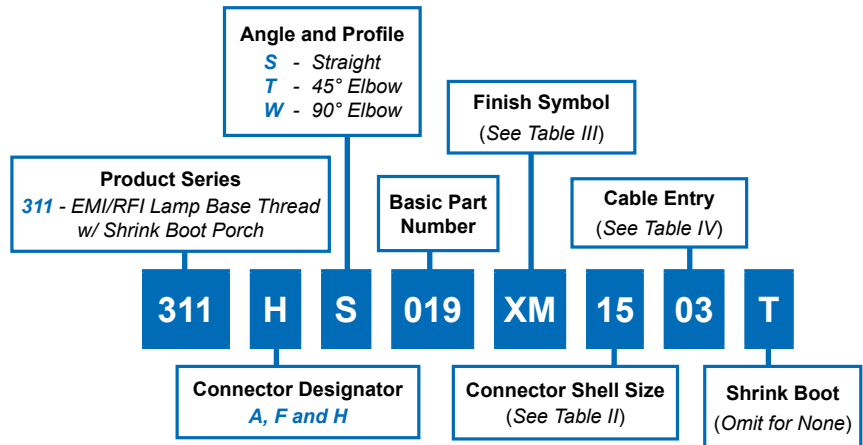




311-019 Composite Lamp Base Thread EMI/RFI Shield Termination Backshell with Shrink Boot Porch and Self-Locking Rotatable Coupling

A

| CONNECTOR DESIGNATOR: | |
|---------------------------|---|
| A | MIL-DTL-5015, -26482 Series II, and -83723 Series I and III |
| F | MIL-DTL-38999 Series I, II |
| H | MIL-DTL-38999 Series III and IV |
| SELF-LOCKING | |
| ROTATABLE COUPLING | |
| STANDARD PROFILE | |



311-019
Composite Lamp Base Thread
EMI/RFI Shield Termination Backshell
with Shrink Boot Porch and Self-Locking Rotatable Coupling



TABLE II: SHELL SIZE

| Shell Size | | E ± .06 | F ± .09 | G ± .09 | H ± .06 | J ± .09 | Max Dash Number (Table II) |
|------------|----|-------------|-------------|-------------|-------------|-------------|-------------------------------|
| A, F | H | | | | | | |
| 08 | 09 | 0.69 (17.5) | 0.88 (22.4) | 1.19 (30.2) | 0.72 (18.3) | 1.00 (25.4) | 02 |
| 10 | 11 | 0.75 (19.1) | 1.00 (25.4) | 1.25 (31.8) | 0.75 (19.1) | 1.06 (26.9) | 03 |
| 12 | 13 | 0.81 (20.6) | 1.13 (28.7) | 1.31 (33.3) | 0.75 (19.1) | 1.13 (28.7) | 04 |
| 14 | 15 | 0.88 (22.4) | 1.31 (33.3) | 1.38 (35.1) | 0.76 (19.3) | 1.16 (29.5) | 05 |
| 16 | 17 | 0.94 (23.9) | 1.38 (35.1) | 1.44 (36.6) | 0.78 (19.8) | 1.18 (30.0) | 06 |
| 18 | 19 | 0.97 (24.6) | 1.44 (36.6) | 1.47 (37.3) | 0.79 (20.1) | 1.19 (30.2) | 07 |
| 20 | 21 | 1.06 (26.9) | 1.63 (41.4) | 1.56 (39.6) | 0.82 (20.8) | 1.22 (31.0) | 08 |
| 22 | 23 | 1.13 (28.7) | 1.75 (44.5) | 1.63 (41.4) | 0.86 (21.8) | 1.26 (32.0) | 09 |
| 24 | 25 | 1.19 (30.2) | 1.88 (47.8) | 1.69 (42.9) | 0.89 (22.6) | 1.29 (32.8) | 10 |

TABLE IV: ENTRY DIAMETER

| Dash Number | K Entry ± .03 | L ± .06 |
|-------------|------------------|-------------|
| 01 | .13 (3.3) | .45 (11.4) |
| 02 | .25 (6.4) | .52 (13.2) |
| 03 | .38 (9.7) | .64 (16.3) |
| 04 | .50 (12.7) | .77 (19.6) |
| 05 | .63 (16.0) | .92 (23.4) |
| 06 | .75 (19.1) | 1.02 (25.9) |
| 07 | .81 (20.6) | 1.14 (29.0) |
| 08 | .94 (23.9) | 1.27 (32.3) |
| 09 | 1.06 (26.9) | 1.43 (36.3) |
| 10 | 1.19 (30.2) | 1.52 (38.6) |
| 11 | 1.38 (35.1) | 1.64 (41.7) |

TABLE III: FINISH

| Symbol | Finish Description |
|--------|--|
| XM | 2000 Hour Corrosion Resistant Electroless Nickel |
| XMT | 2000 Hour Corrosion Resistant Ni-PTFE, Nickel-Fluorocarbon Polymer. <i>1000 Hour Grey™</i> |
| XW | 2000 Hour Corrosion Resistant Cadmium/Olive Drab over Electroless Nickel |

NOTES

1. See Table I in Intro for front-end dimensional details.
2. 770-001S**-0 shrink boot supplied with T option. See shrink boot product page for more details.
3. O-Ring will not be supplied with Connector Designator A.
4. Coupling nut supplied unplated.

X-ON Electronics

Largest Supplier of Electrical and Electronic Components

Click to view similar products for [Circular MIL Spec Strain Reliefs & Adapters](#) category:

Click to view products by [Glenair](#) manufacturer:

Other Similar products are found below :

[896227-000](#) [899170S004](#) [0113-023-000](#) [6000-063-0022](#) [CS6624-000](#) [620AB038Z136](#) [620AS001Z108](#) [620AS038Z112](#) [620AS038Z120](#)
[620AS038Z132](#) [620FB038NF08](#) [620HA038NF09](#) [620HA038NF11](#) [620HA038NF13](#) [620HA038NF25](#) [620HB049NF17](#) [620HS038NF11](#)
[620HS038Z121](#) [620HS042XM19](#) [620HS042XM25](#) [620HS048B17](#) [620MS064NF12](#) [620MS065Z107](#) [620MS065ZNU06](#) [627-123NF21-11](#)
[627-125NF23-6](#) [630J041M06H](#) [630J041M20H](#) [637S010NF0212H](#) [637S010NF0416A](#) [640830-000](#) [659943-000](#) [66241-10A](#) [CW0597-000](#)
[CW0598-000](#) [CW0948-000](#) [CY0122-000](#) [M85049/41-6A W/B](#) [M85049/42-12DS](#) [M85049/47N8](#) [M85049/51-1-14S](#) [M85049/51S16S](#)
[M85049/60-1N16](#) [M85049/60-2G12W](#) [M85049/69-11N](#) [CZ3661-000](#) [D02922-000](#) [70.360.1628.0](#) [703797-000](#) [705825-000](#)