

SuperNine® Backshells and accessories

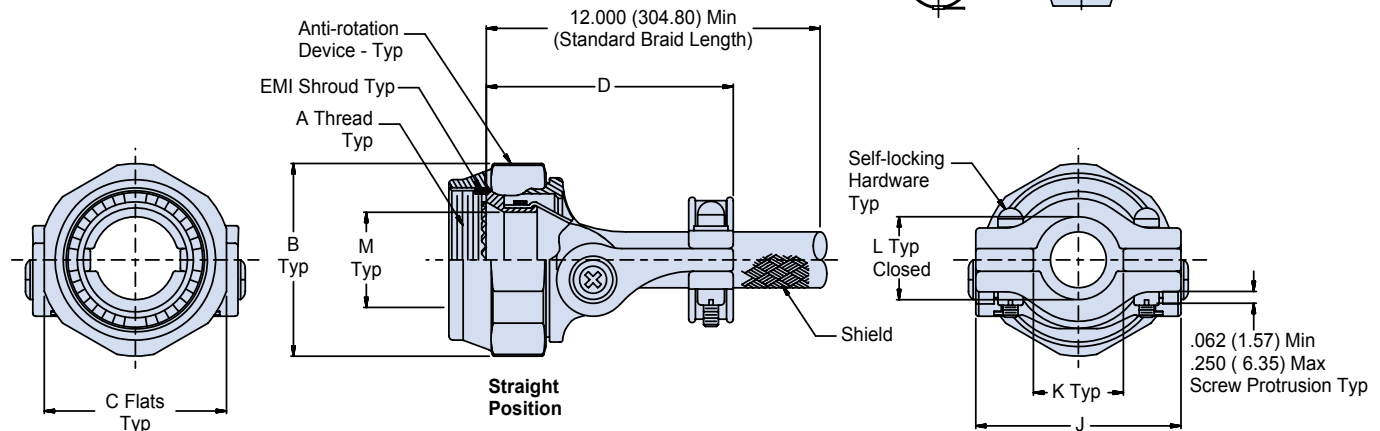
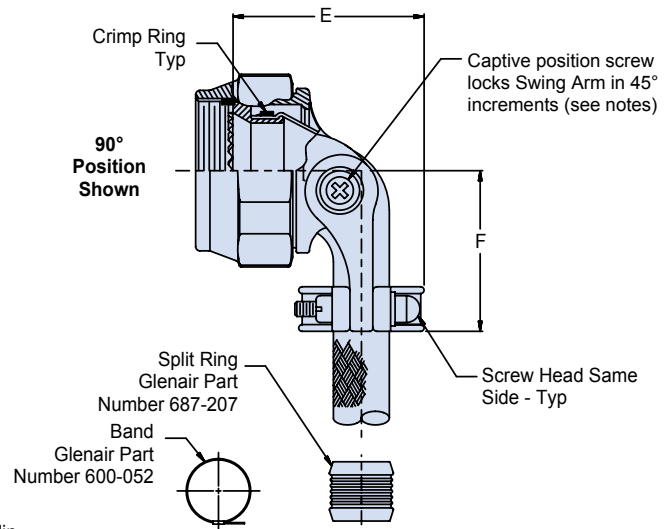
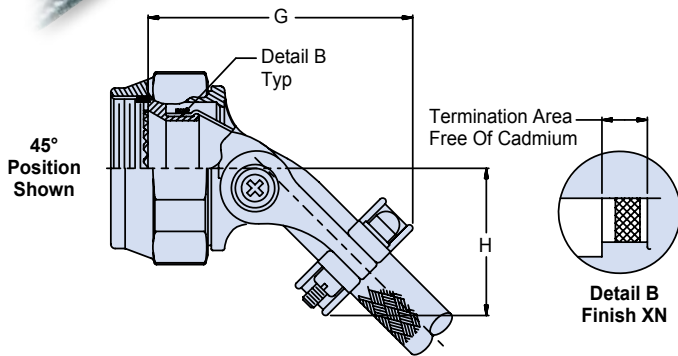
319-180 Composite Swing-Arm™ strain relief

MIL-DTL-38999



COMPOSITE BACKSHELL WITH SHIELD SOCK AND SELF-LOCKING ROTATABLE COUPLING NUT

How To Order 319-180							
Sample Part Number	319	H	180	XB	15	B	R 14
Product Series	EMI/RFI shield sock assembly						
Connector Designator	H = MIL-DTL-38999 Series III						
Basic Number	180						
Finish	XB = No plating, black XM = Electroless Nickel XD = No Plating, Desert Tan XMT = Nickel-PTFE 1000 Hour Gray XW = Cadmium O/D over Electroless Nickel						
Dash Number	See Dimensions Table						
Optional Braid Material	A = 100% AmberStrand® B = 75%/25% AmberStrand® blend L = 100% ArmorLite™ T = Tin/Copper 34AWG (Omit for standard Nickel/Copper 34AWG)						
Split Ring/Band Option	R = Supplied with Split Ring (687-207) and Band (600-052). Omit for none.						
Custom Braid Length	Specify in inches. Omit for standard 12" length.						



H

SuperNine® Backshells and accessories

319-180 Composite Swing-Arm™ strain relief

MIL-DTL-38999



Dimensions														
Connector Designator H			B Max Dia	C Flats Max Min		D Max	E Max	F Max	G Max	H Max	J Max	K Min	L Max	M Min
Dash No.	Shell Size Ref	A Thread ISO Metric												
09	A	M12 X 1.0-6H	.812 (20.62)	.750 (19.05)	.736 (18.69)	1.500 (38.10)	.950 (24.13)	.840 (21.34)	1.430 (36.32)	.760 (19.30)	.980 (24.89)	.220 (5.59)	.265 (6.73)	.264 (6.71)
11	B	M15 X 1.0-6H	.938 (23.83)	.875 (22.23)	.860 (21.84)	1.540 (39.12)	.990 (25.15)	.900 (22.86)	1.490 (37.85)	.820 (20.83)	1.050 (26.67)	.270 (6.86)	.310 (7.87)	.390 (9.91)
13	C	M18 X 1.0-6H	1.125 (28.58)	1.000 (25.40)	.980 (24.89)	1.620 (41.15)	1.140 (28.96)	1.000 (25.40)	1.640 (41.66)	.920 (23.37)	1.200 (30.48)	.350 (8.89)	.390 (9.91)	.504 (12.80)
15	D	M22 X 1.0-6H	1.250 (31.75)	1.125 (28.58)	1.100 (27.94)	1.630 (41.40)	1.240 (31.50)	1.070 (27.18)	1.730 (43.94)	.980 (24.89)	1.300 (33.02)	.470 (11.94)	.506 (12.85)	.630 (16.00)
17	E	M25 X 1.0-6H	1.375 (34.93)	1.250 (31.75)	1.224 (31.09)	1.730 (43.94)	1.360 (34.54)	1.130 (28.70)	1.860 (47.24)	1.080 (27.43)	1.440 (36.58)	.550 (13.97)	.591 (15.01)	.756 (19.20)
19	F	M28 X 1.0-6H	1.500 (38.10)	1.375 (34.93)	1.348 (34.24)	1.730 (43.94)	1.460 (37.08)	1.200 (30.48)	1.930 (49.02)	1.120 (28.45)	1.560 (39.62)	.620 (15.75)	.661 (16.79)	.843 (21.41)
21	G	M31 X 1.0-6H	1.625 (41.28)	1.500 (38.10)	1.469 (37.31)	1.880 (47.75)	1.550 (39.37)	1.260 (32.00)	2.080 (52.70)	1.210 (30.73)	1.690 (42.93)	.700 (17.78)	.744 (18.90)	.969 (24.61)
23	H	M34 X 1.0-6H	1.750 (44.45)	1.625 (41.28)	1.581 (40.16)	1.910 (48.51)	1.630 (41.40)	1.330 (33.78)	2.150 (54.61)	1.270 (32.26)	1.770 (44.96)	.780 (19.81)	.826 (20.98)	1.091 (27.71)
25	J	M37 X 1.0-6H	1.875 (47.63)	1.750 (44.45)	1.690 (42.93)	1.940 (49.28)	1.700 (43.18)	1.400 (35.56)	2.230 (56.64)	1.330 (33.78)	1.890 (48.01)	.850 (21.59)	.896 (22.76)	1.217 (30.91)

NOTES

- Glenair Series 600 Assembly Tools are recommended for assembly and installation.
- Swing arm locks in 45° increments, shell size 09 through 25. Additional positioning increments are manufacturer's option.
- Screw is captive to the arm when disengaged. When tightened, the screw will not protrude into the inside surfaces.
- Add MOD Code -475 to end of part number for use with Series II connector. Backshell to be supplied less shroud.
- Metric dimensions (mm) indicated in parentheses.

MATERIAL/FINISH:

Clamp body, coupling nut, saddles - High grade thermoplastic/See Table III.
 Clamp hardware - CRES/Passivate
 Crimp ring - Copper/Tin plated.



X-ON Electronics

Largest Supplier of Electrical and Electronic Components

Click to view similar products for [Circular MIL Spec Strain Reliefs & Adapters](#) category:

Click to view products by [Glenair](#) manufacturer:

Other Similar products are found below :

[896227-000](#) [899170S004](#) [6000-063-0022](#) [613751-000](#) [CS6624-000](#) [620AB038Z136](#) [620AS001Z108](#) [620AS038Z112](#) [620AS038Z120](#)
[620AS038Z132](#) [620FB038NF08](#) [620HA038NF13](#) [620HA038NF25](#) [620HA042XM13](#) [620HB049NF17](#) [620HS011NF21](#) [620HS038NF11](#)
[620HS038Z121](#) [620HS042XM19](#) [620HS042XM25](#) [620HS042XW13](#) [620HS048B17](#) [620MS064NF09](#) [620MS064NF12](#) [620MS065M12](#)
[620MS065Z107](#) [620MS065ZNU06](#) [630J041M06H](#) [630J041M20H](#) [640830-000](#) [659943-000](#) [66241-10A](#) [CW0597-000](#) [CW0598-000](#)
[CW0948-000](#) [CY0122-000](#) [M85049/41-6A W/B](#) [M85049/42-12DS](#) [M85049/47N8](#) [M85049/47W18](#) [M85049/51-1-14S](#) [M85049/51-1-8W](#)
[M85049/51S16S](#) [M85049/60-1N16](#) [M85049/60-2G12W](#) [M85049/69-11N](#) [CZ3661-000](#) [D02922-000](#) [70.360.1628.0](#) [703797-000](#)